



US00D639477S

(12) **United States Design Patent**
Robinson

(10) **Patent No.:** **US D639,477 S**

(45) **Date of Patent:** **** Jun. 7, 2011**

(54) **FLASHLIGHT**

(75) Inventor: **Glenn Robinson**, Coral Springs, FL
(US)

(73) Assignee: **IBT Holdings, LLC**, Deerfield Beach,
FL (US)

(**) Term: **14 Years**

(21) Appl. No.: **29/370,963**

(22) Filed: **Sep. 28, 2010**

(51) **LOC (9) Cl.** **26-02**

(52) **U.S. Cl.** **D26/49**

(58) **Field of Classification Search** D26/37,
D26/46, 49, 38; 362/157, 158, 183, 184,
362/194-196, 202-208

See application file for complete search history.

(56) **References Cited**

U.S. PATENT DOCUMENTS

D486,935 S * 2/2004 Shiu D26/49
D486,937 S * 2/2004 Shiu D26/49
D493,240 S * 7/2004 To D26/49

D596,772 S * 7/2009 Chang D26/49
D608,034 S * 1/2010 Hesse et al. D26/37
D629,543 S * 12/2010 Deguglimo et al. D26/49

* cited by examiner

Primary Examiner — Ian Simmons

Assistant Examiner — Carissa C Fitts

(74) *Attorney, Agent, or Firm* — Dan M. DeLaRosa

(57) **CLAIM**

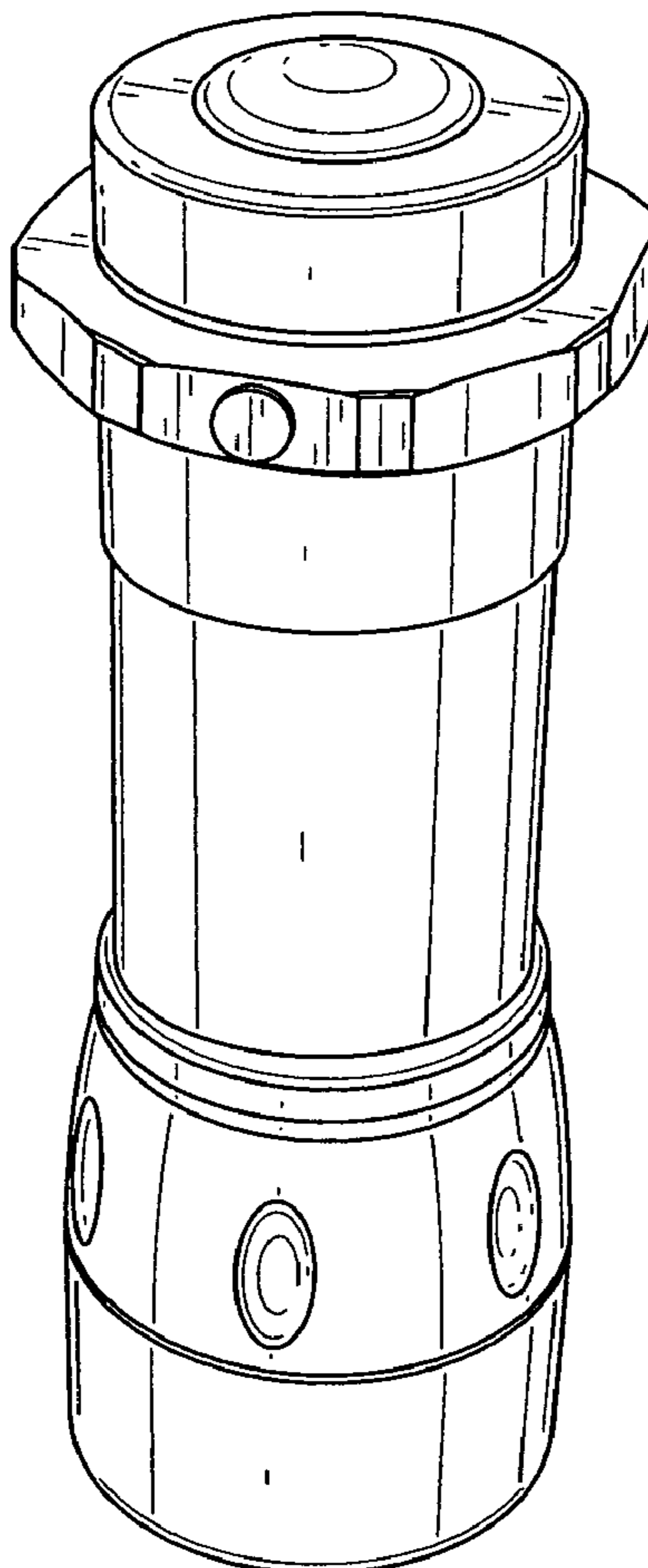
The ornamental design for a flashlight, as shown and described.

DESCRIPTION

FIG. 1 is a front perspective view of the flashlight of the present invention showing my new design; FIG. 2 is a front side elevational view thereof; FIG. 3 is a back side elevational view thereof; FIG. 4 is a side elevational view thereof; FIG. 5 is another side elevational view thereof; FIG. 6 is a top plan view thereof; and, FIG. 7 is a bottom plan view thereof.

The broken line showing is for environmental purposes only and forms no part of the claimed design.

1 Claim, 4 Drawing Sheets



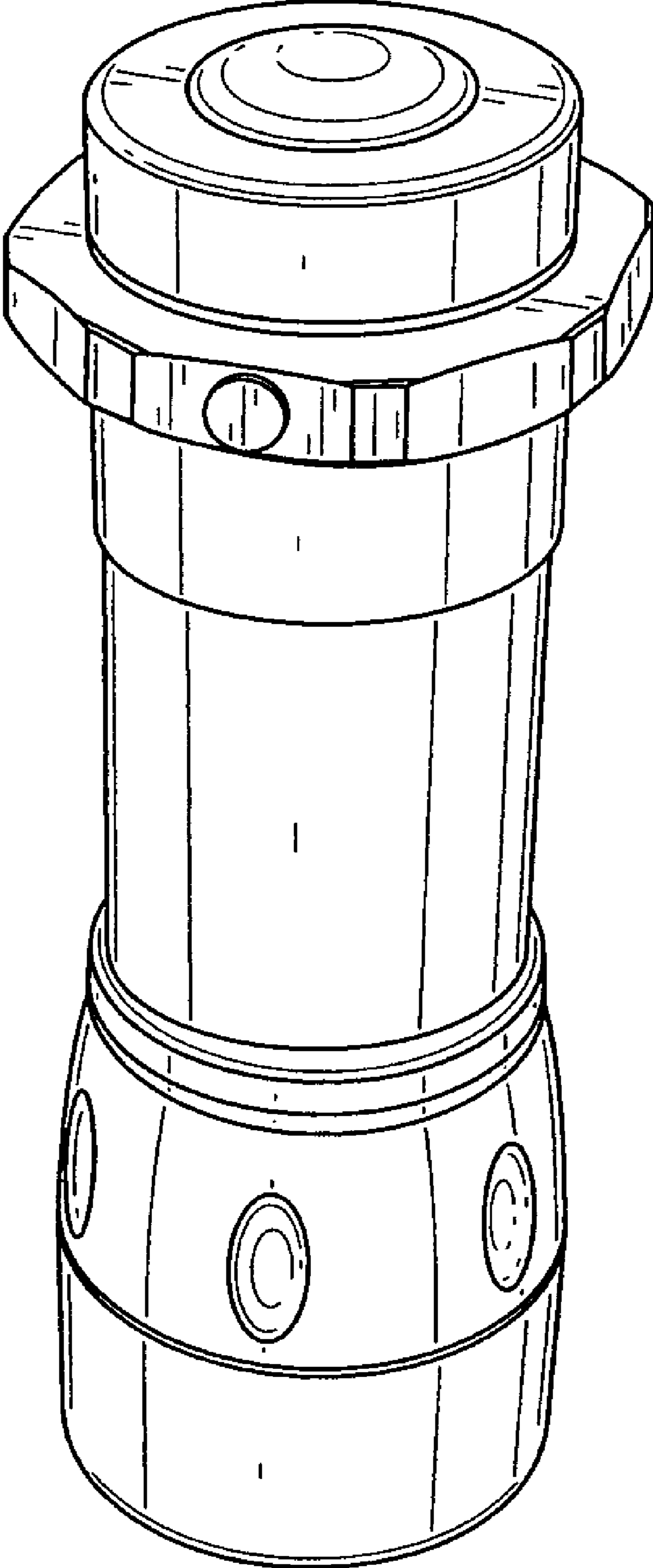


FIG. 1

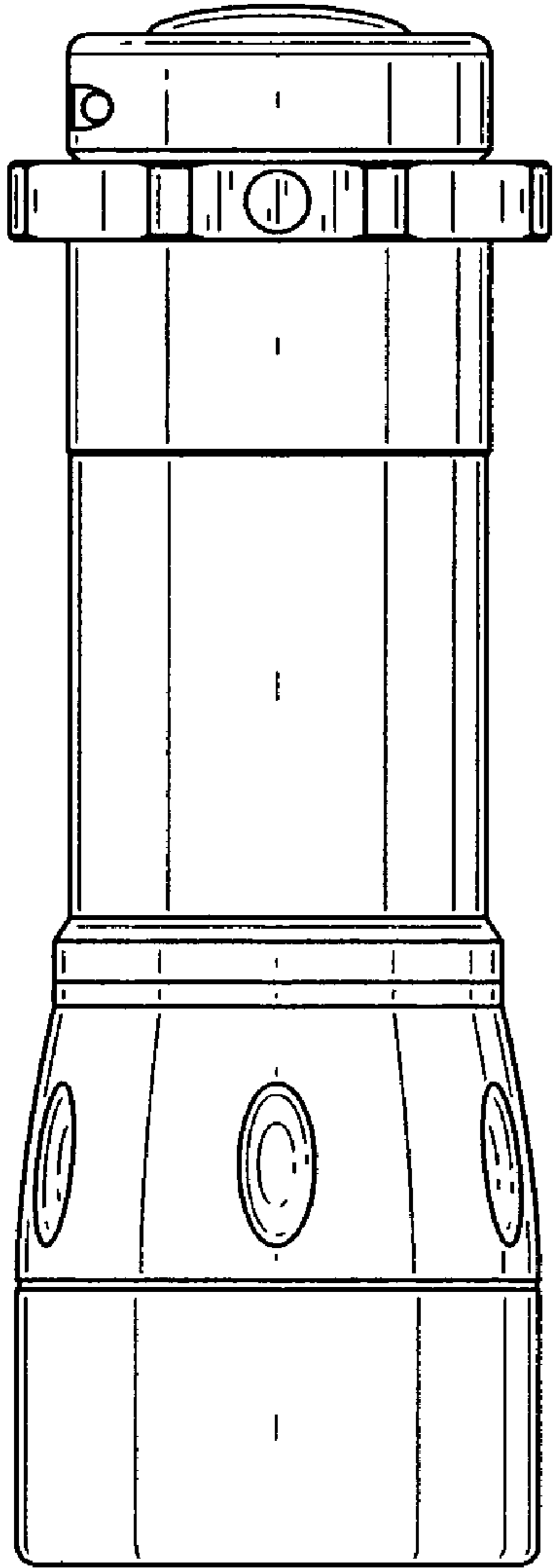


FIG. 2

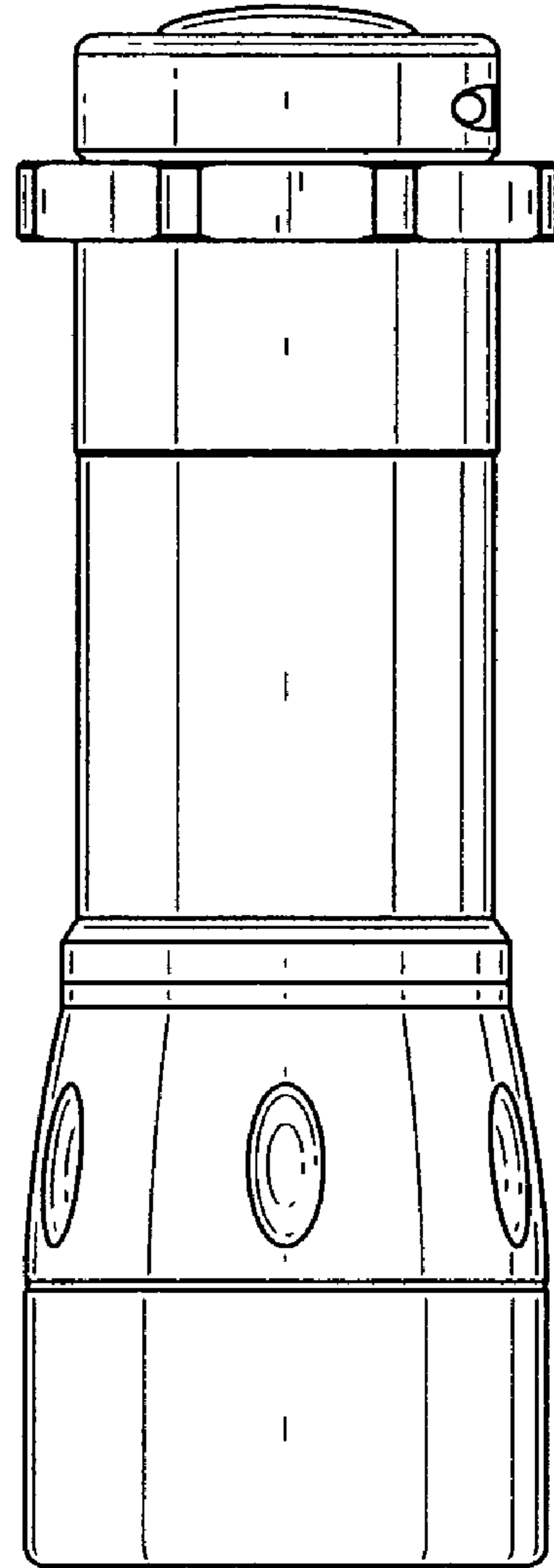


FIG. 3

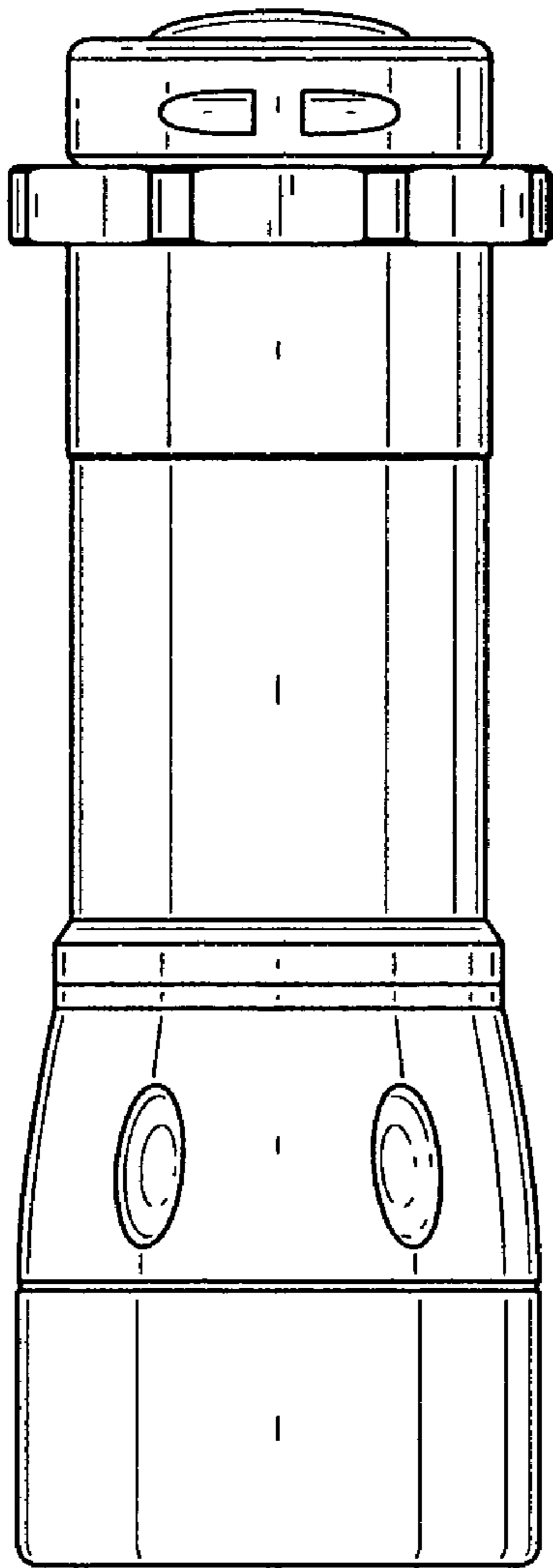


FIG. 4

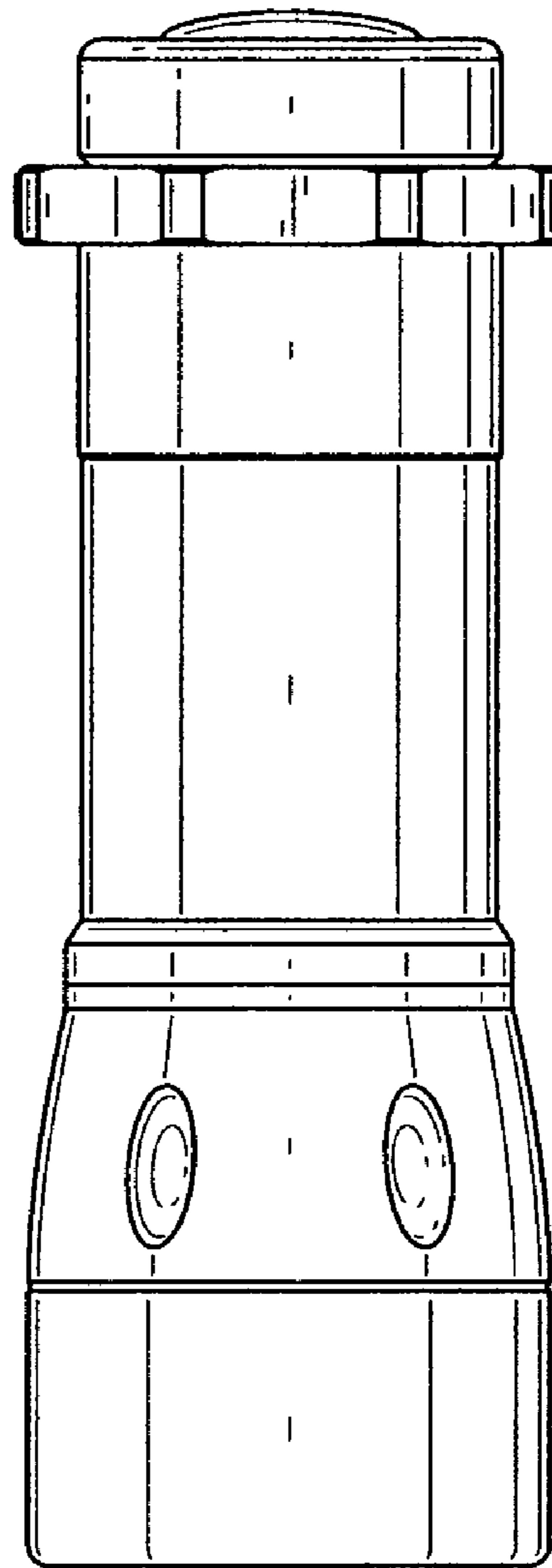


FIG. 5

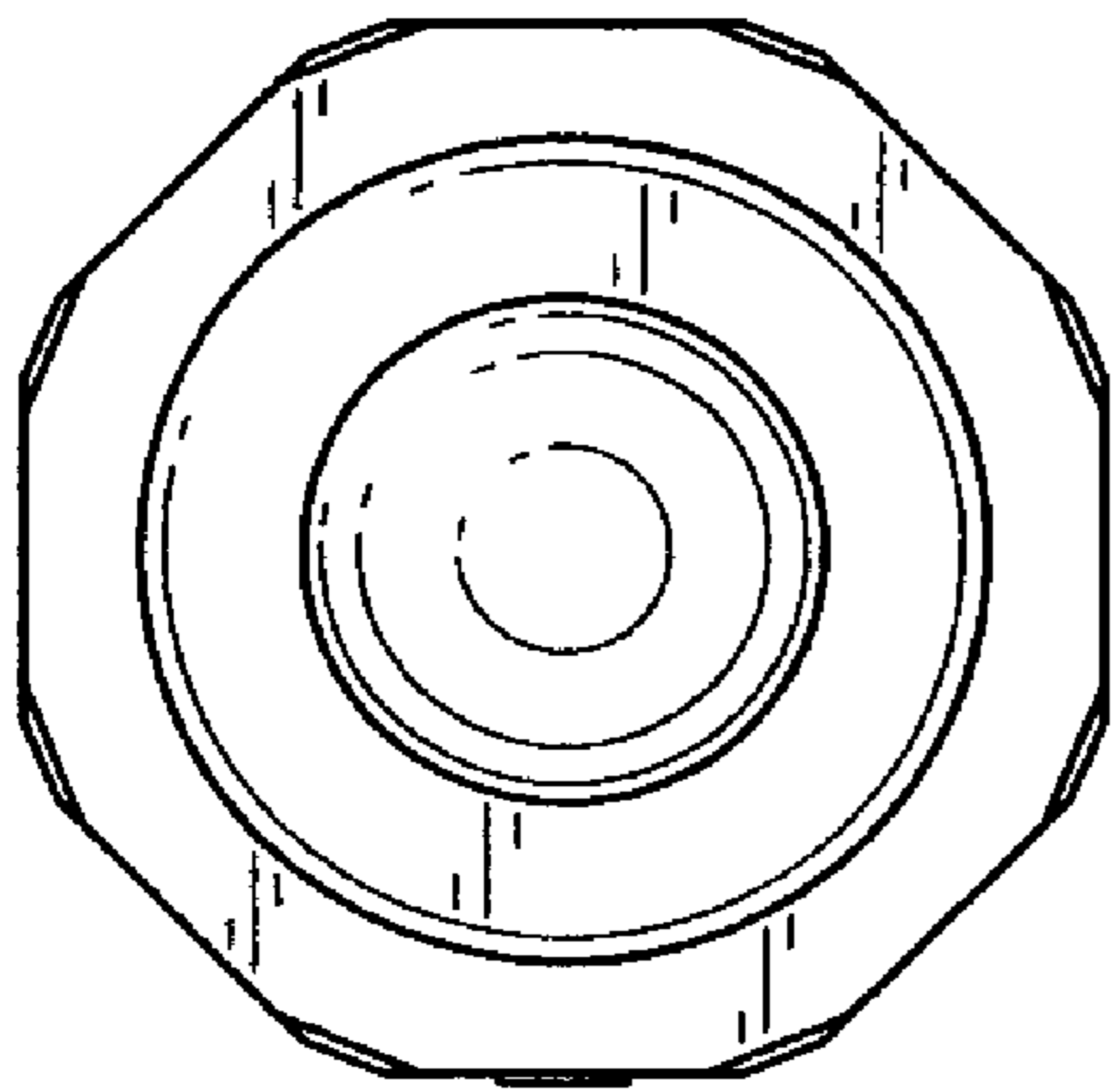


FIG. 6

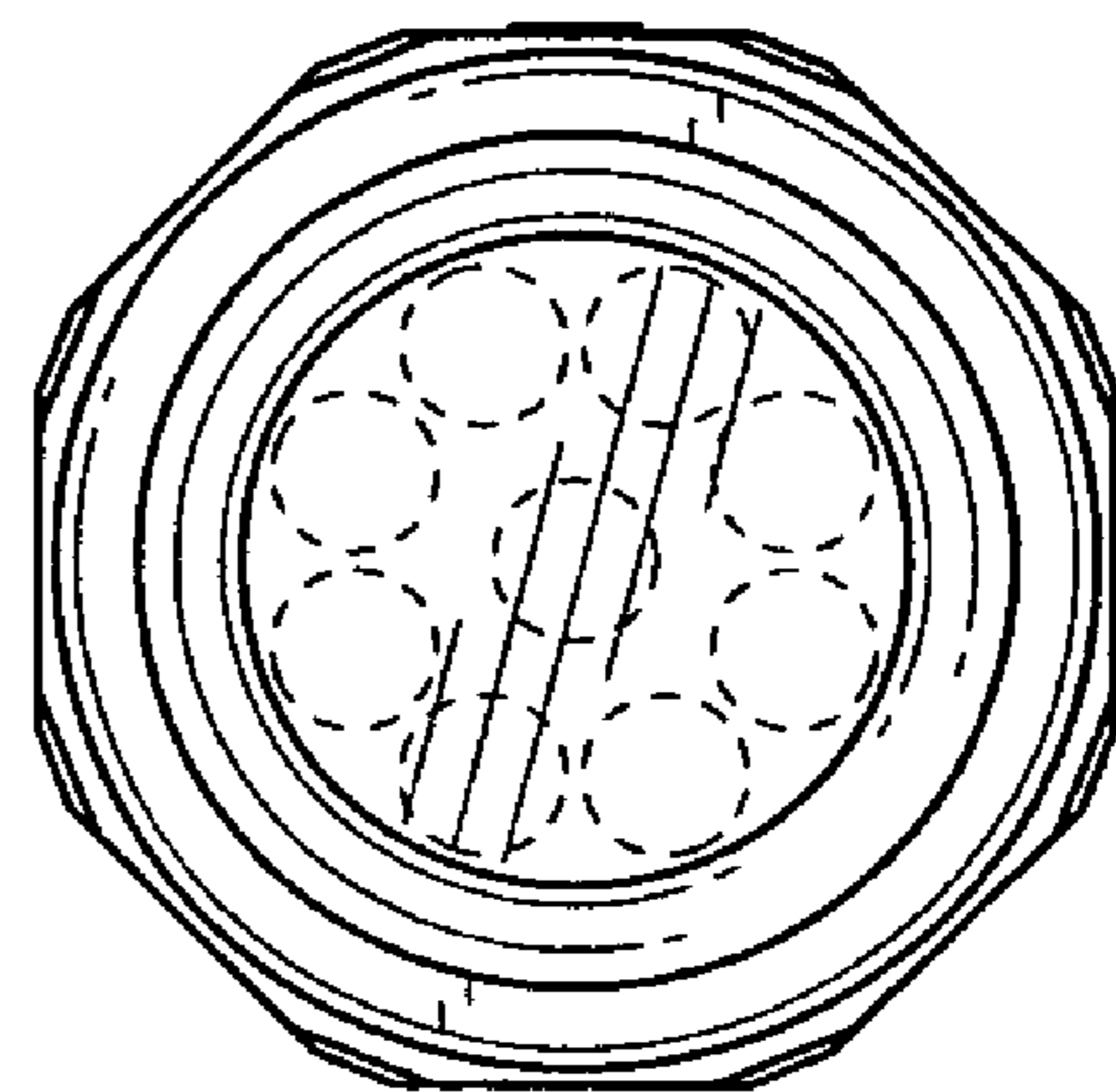


FIG. 7