



US00D639475S

(12) **United States Design Patent**
Sun

(10) **Patent No.:** **US D639,475 S**
(45) **Date of Patent:** **** Jun. 7, 2011**

(54) **PORTABLE LAMP**

(76) Inventor: **Yikai Sun**, Shenzhen (CN)

(**) Term: **14 Years**

(21) Appl. No.: **29/358,932**

(22) Filed: **Apr. 1, 2010**

(30) **Foreign Application Priority Data**

Mar. 26, 2010 (CN) 2010 3 0126309

(51) **LOC (9) Cl.** **26-02**

(52) **U.S. Cl.** **D26/48**

(58) **Field of Classification Search** D26/44,
D26/45, 46, 48, 50; 362/157, 158, 171, 184,
362/187-189, 194-199, 208

See application file for complete search history.

(56) **References Cited**

U.S. PATENT DOCUMENTS

D453,047 S *	1/2002	Yuen	D26/44
D467,673 S *	12/2002	Yuen	D26/45
D533,673 S *	12/2006	Yuen	D26/46
D536,815 S *	2/2007	Yuen	D26/46
D537,184 S *	2/2007	Yuen	D26/46
D538,958 S *	3/2007	Yuen	D26/46
D544,122 S *	6/2007	Yuen	D26/46
D548,866 S *	8/2007	Yuen	D26/46
D566,870 S *	4/2008	Yuen	D26/48
D587,831 S *	3/2009	Moser	D26/45

* cited by examiner

Primary Examiner — Ian Simmons
Assistant Examiner — Carissa C Fitts

(57) **CLAIM**

The ornamental design for a portable lamp, as shown and described.

DESCRIPTION

FIG. 1 is a perspective view of a portable lamp showing my new design;

FIG. 2 is a left side elevational view of the portable lamp shown in FIG. 1;

FIG. 3 is a top view of the portable lamp depicted in FIG. 1;

FIG. 4 is a rear side view of the portable lamp shown in FIG. 1;

FIG. 5 is a bottom view of a portable lamp depicted in FIG. 1;

FIG. 6 is a right side elevational view of the portable lamp shown in FIG. 1;

FIG. 7 is a front side view of the portable lamp shown in FIG. 1;

FIG. 8 is a another perspective view of the portable lamp shown in FIG. 1;

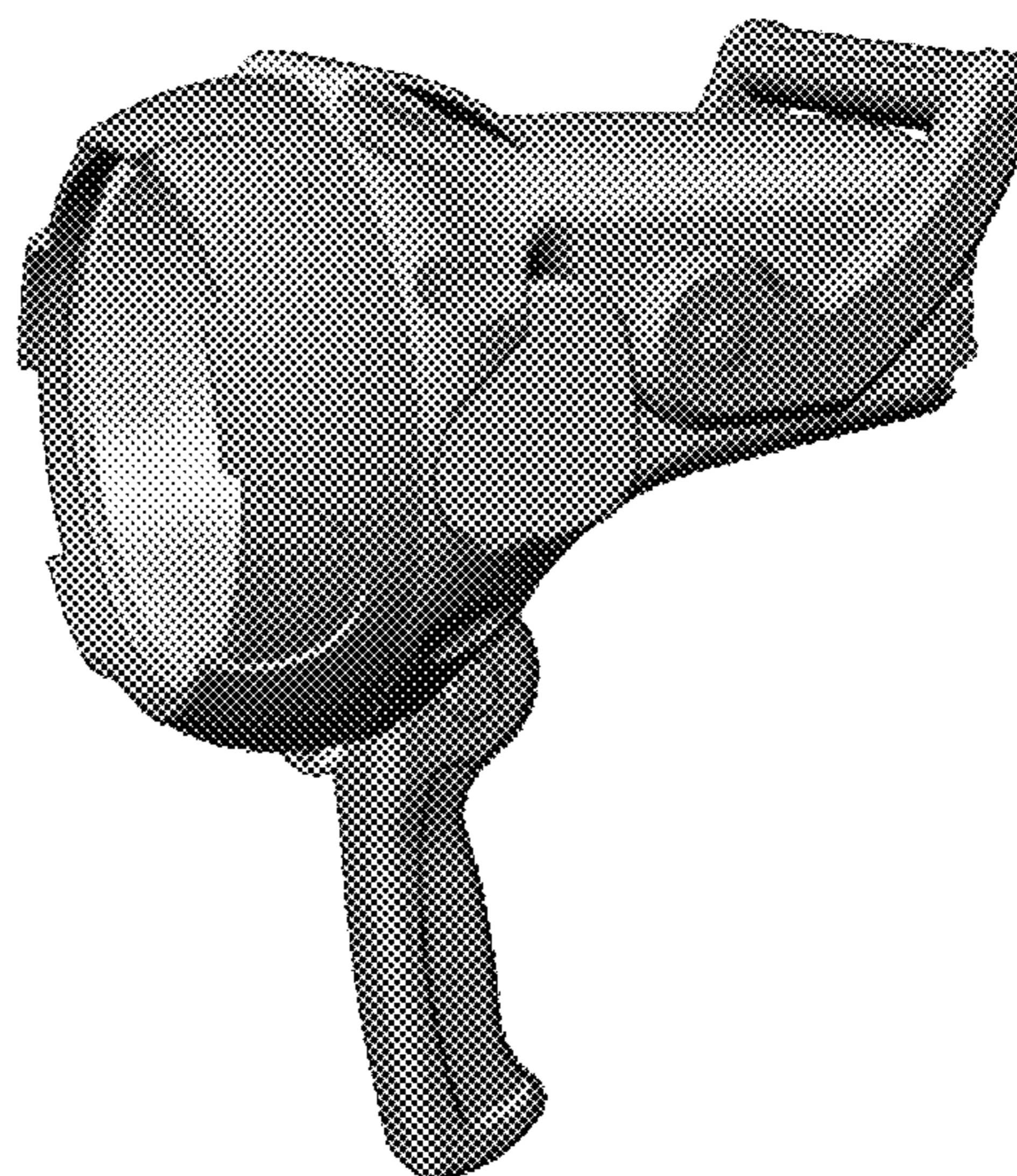
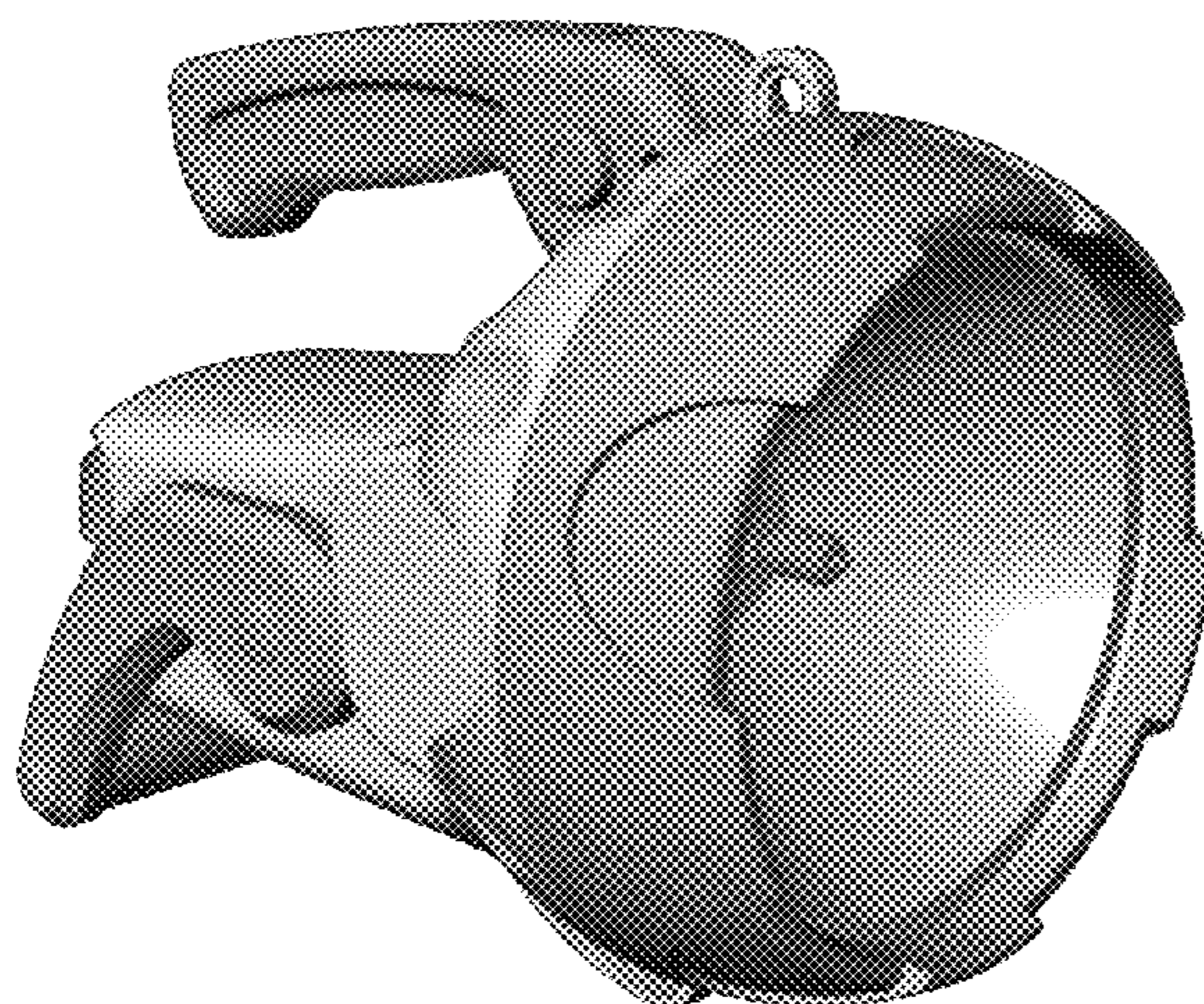
FIG. 9 is a perspective view of the portable lamp shown in FIG. 1 in an alternate position;

FIG. 10 is a perspective view of the portable lamp shown in FIG. 1 in an alternate position;

FIG. 11 is a perspective view of the portable lamp shown in FIG. 1 in an alternate position; and,

FIG. 12 is a perspective view of the portable lamp shown in FIG. 1 in an alternate position.

1 Claim, 6 Drawing Sheets



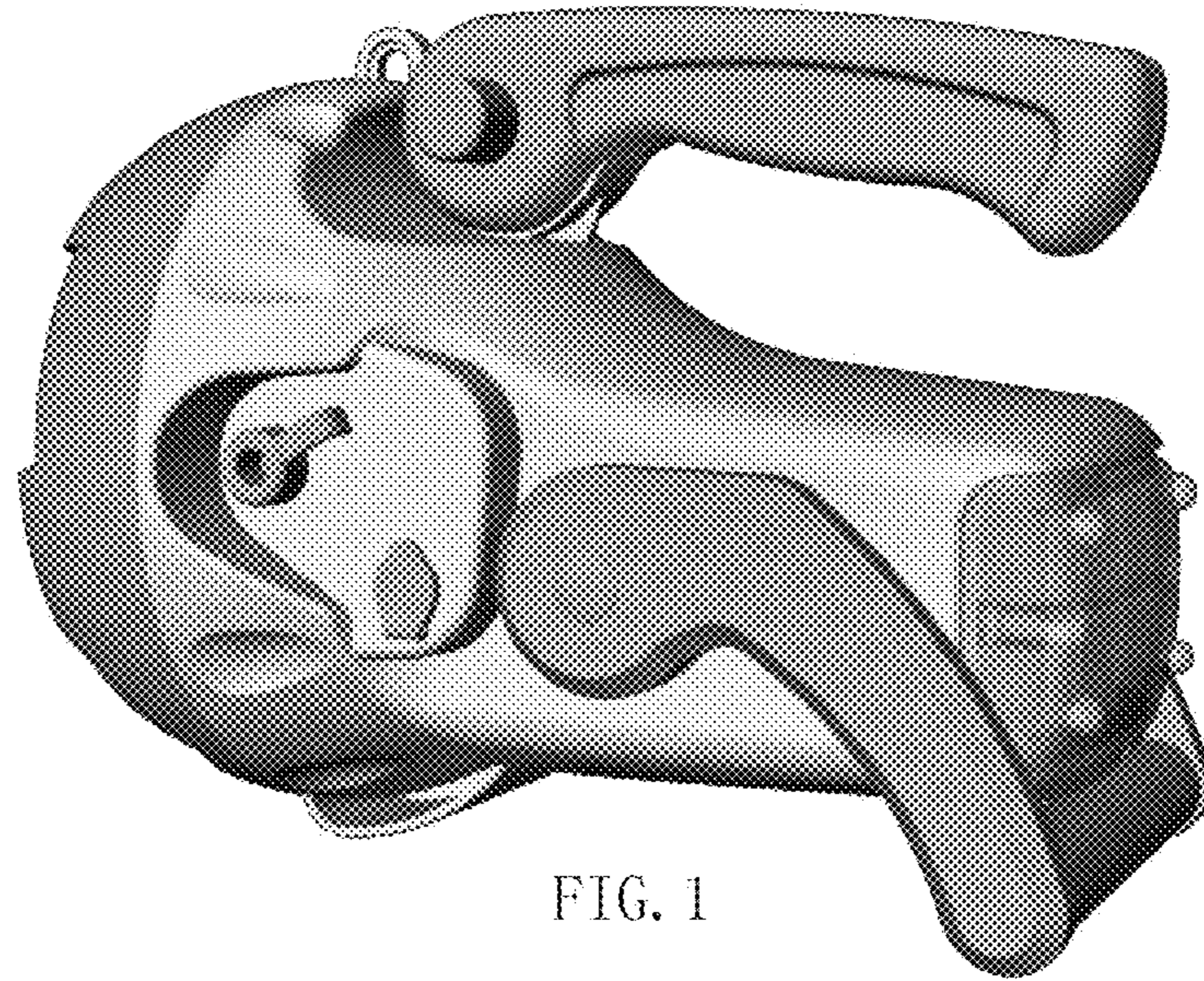


FIG. 1



FIG. 2

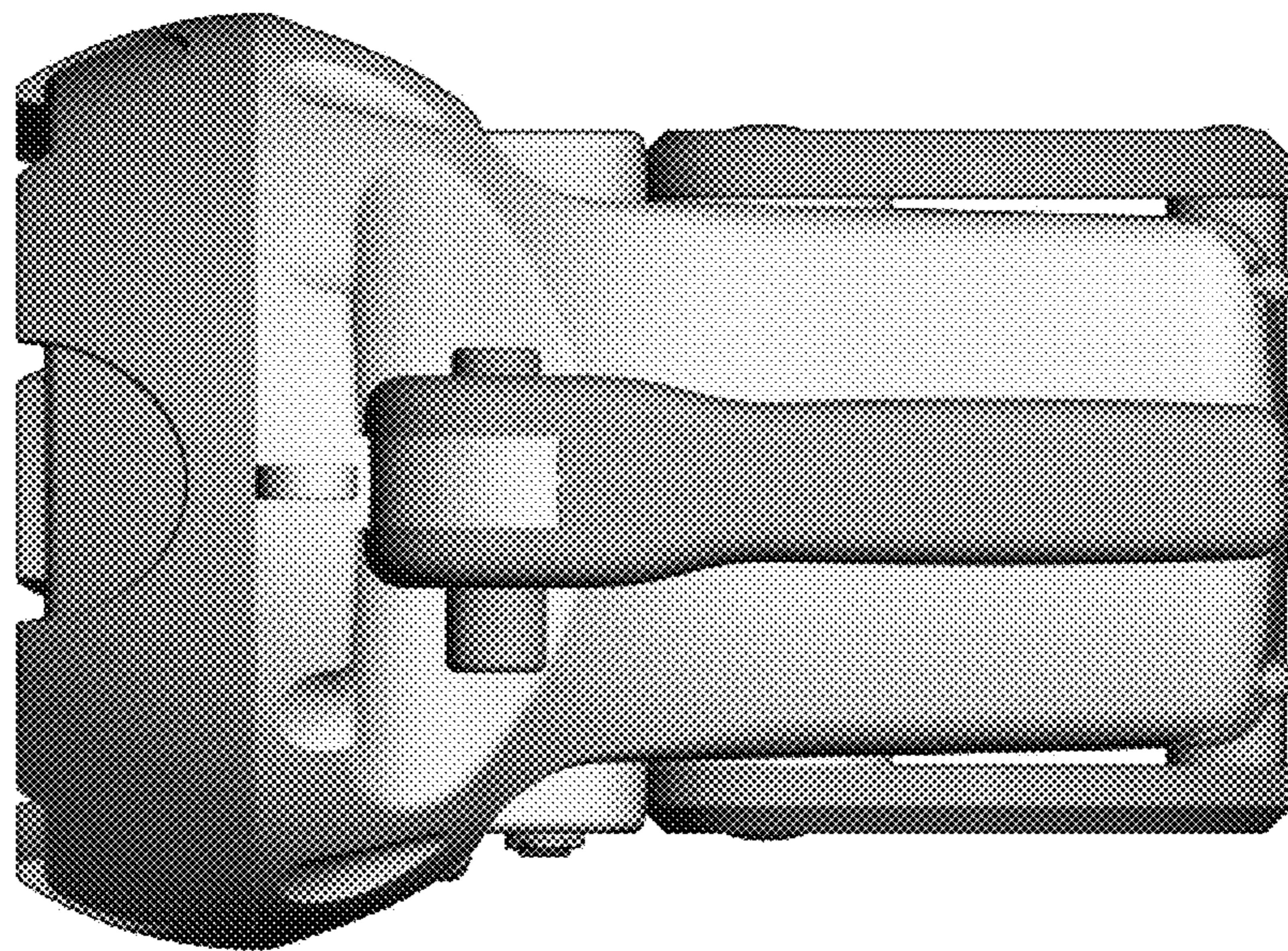


FIG. 3

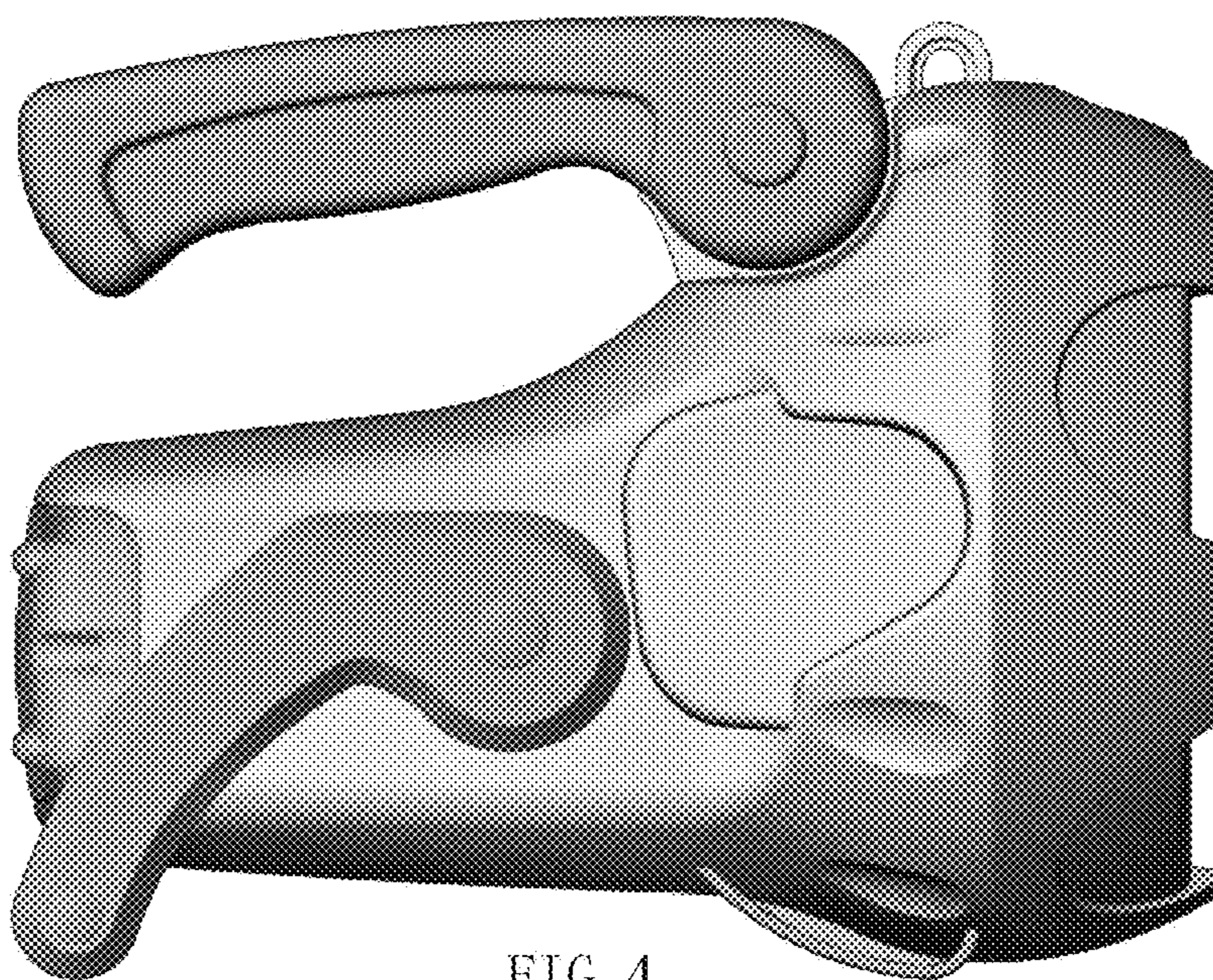


FIG. 4

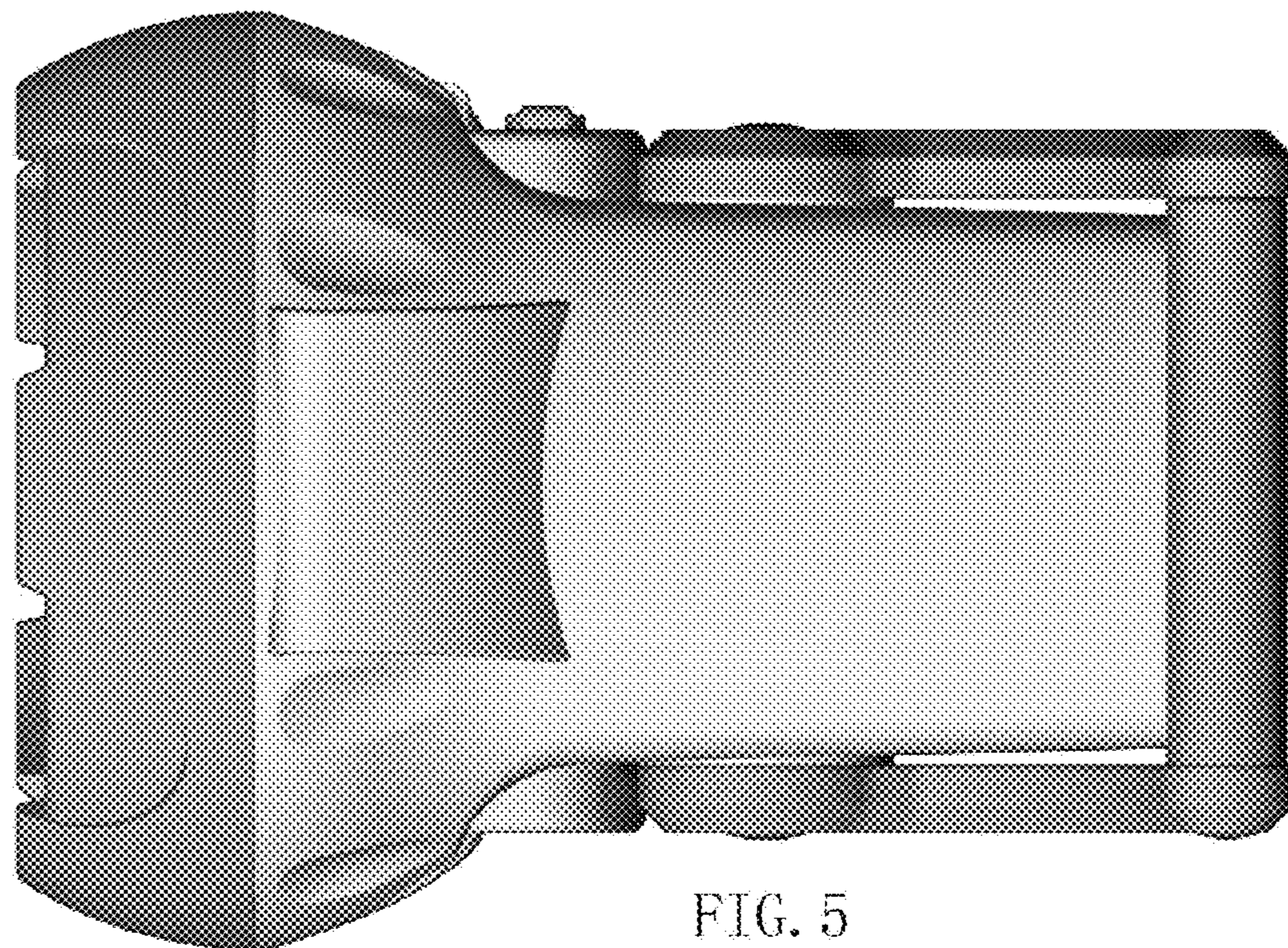


FIG. 5

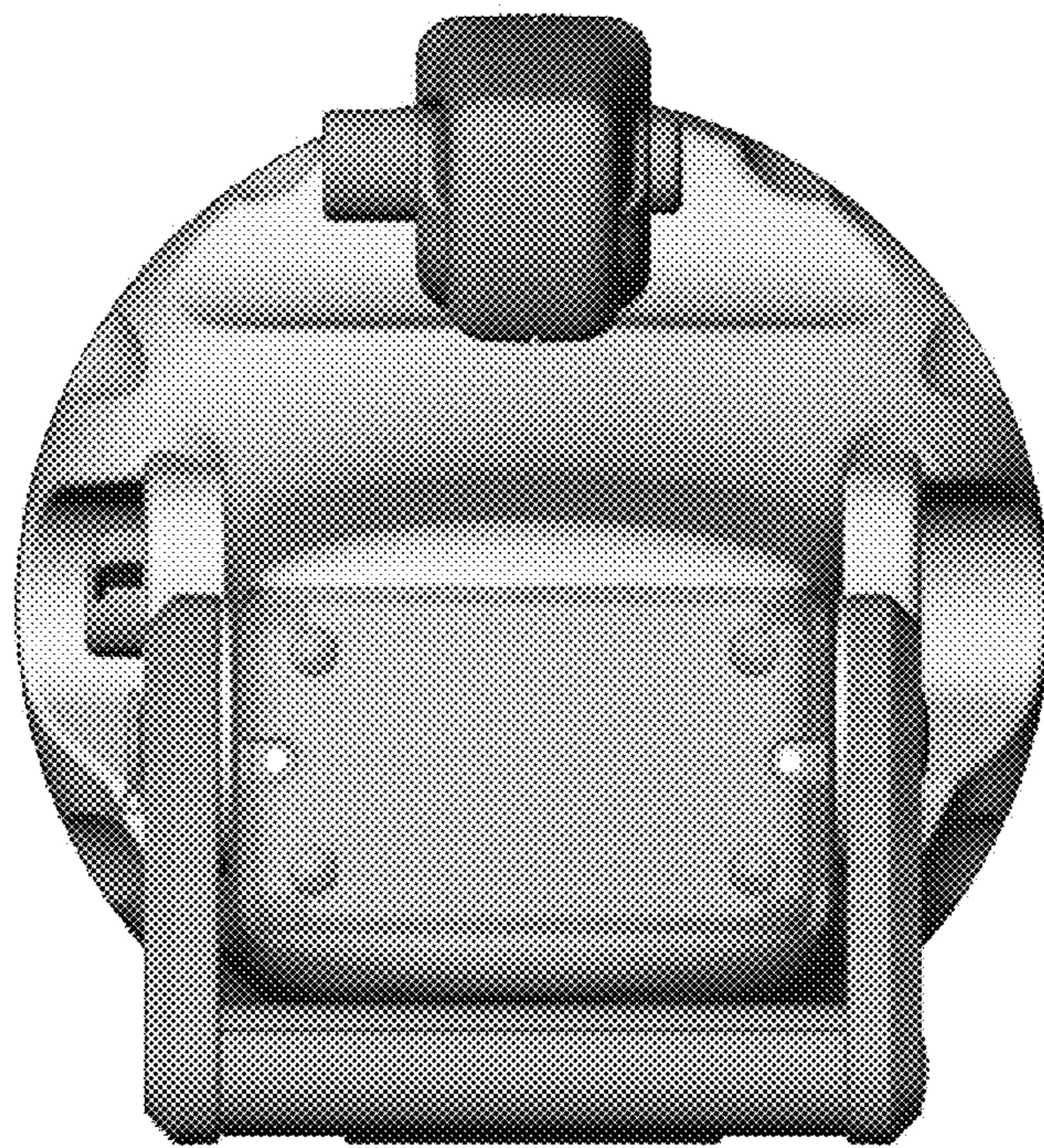


FIG. 6

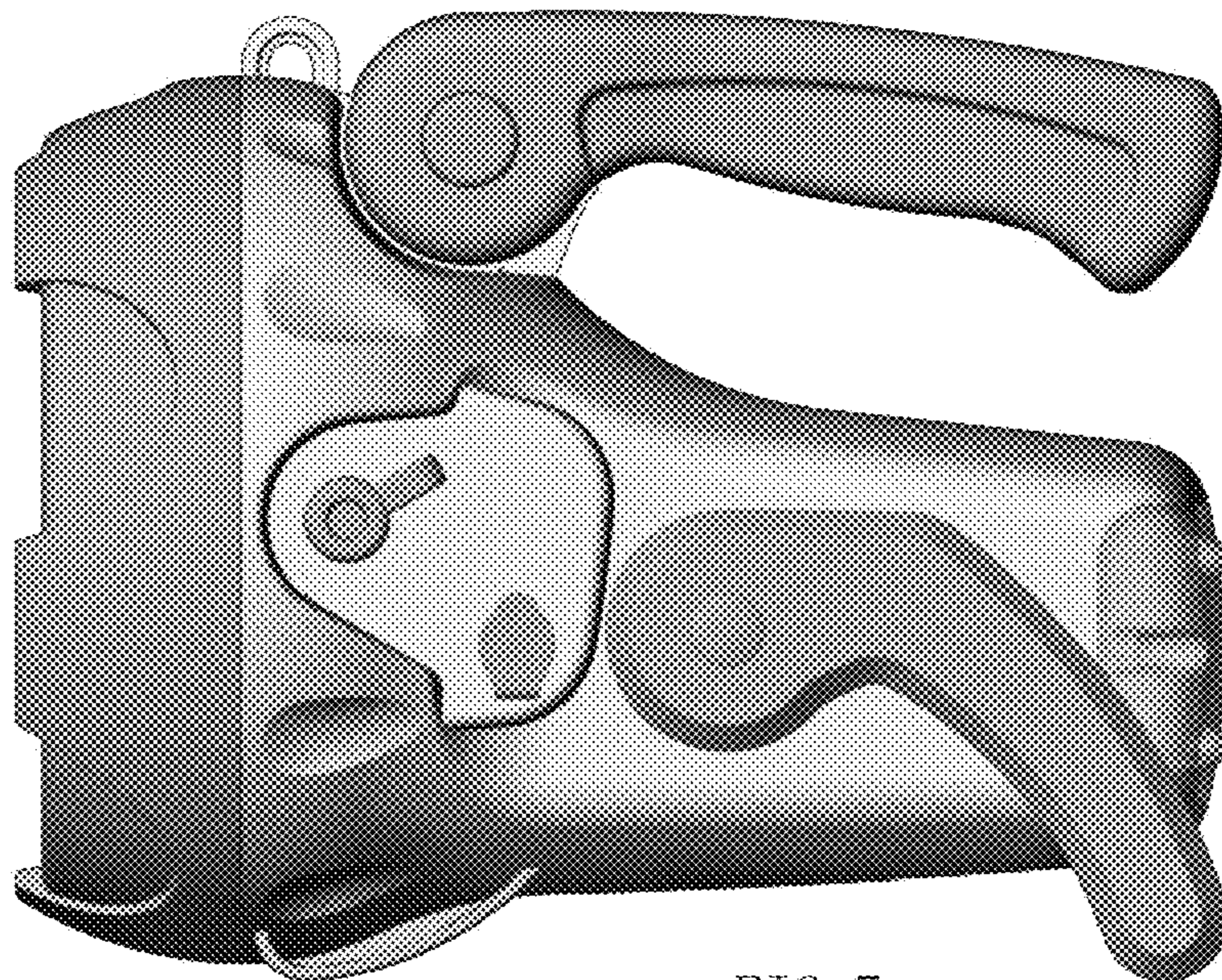


FIG. 7

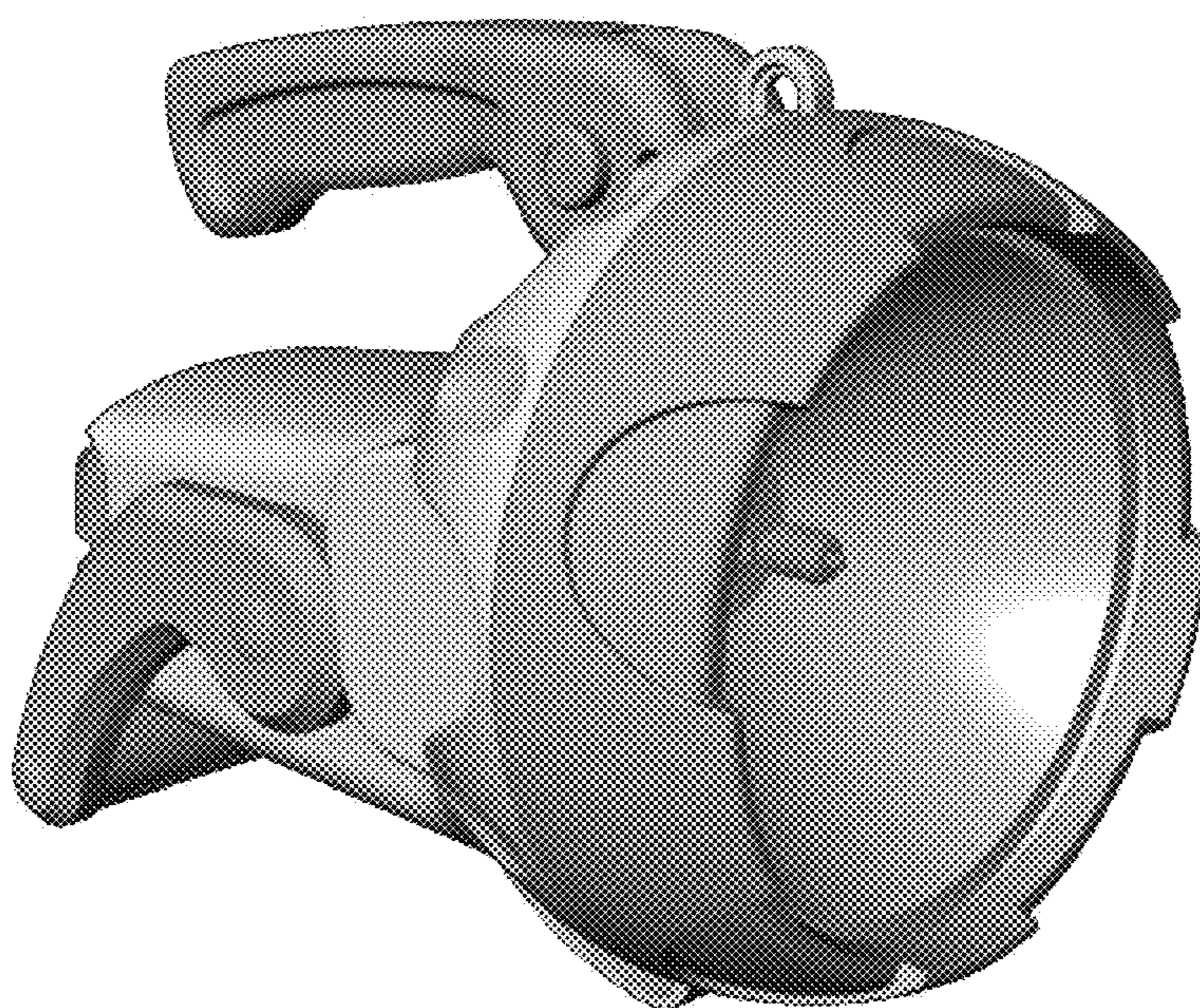


FIG. 8

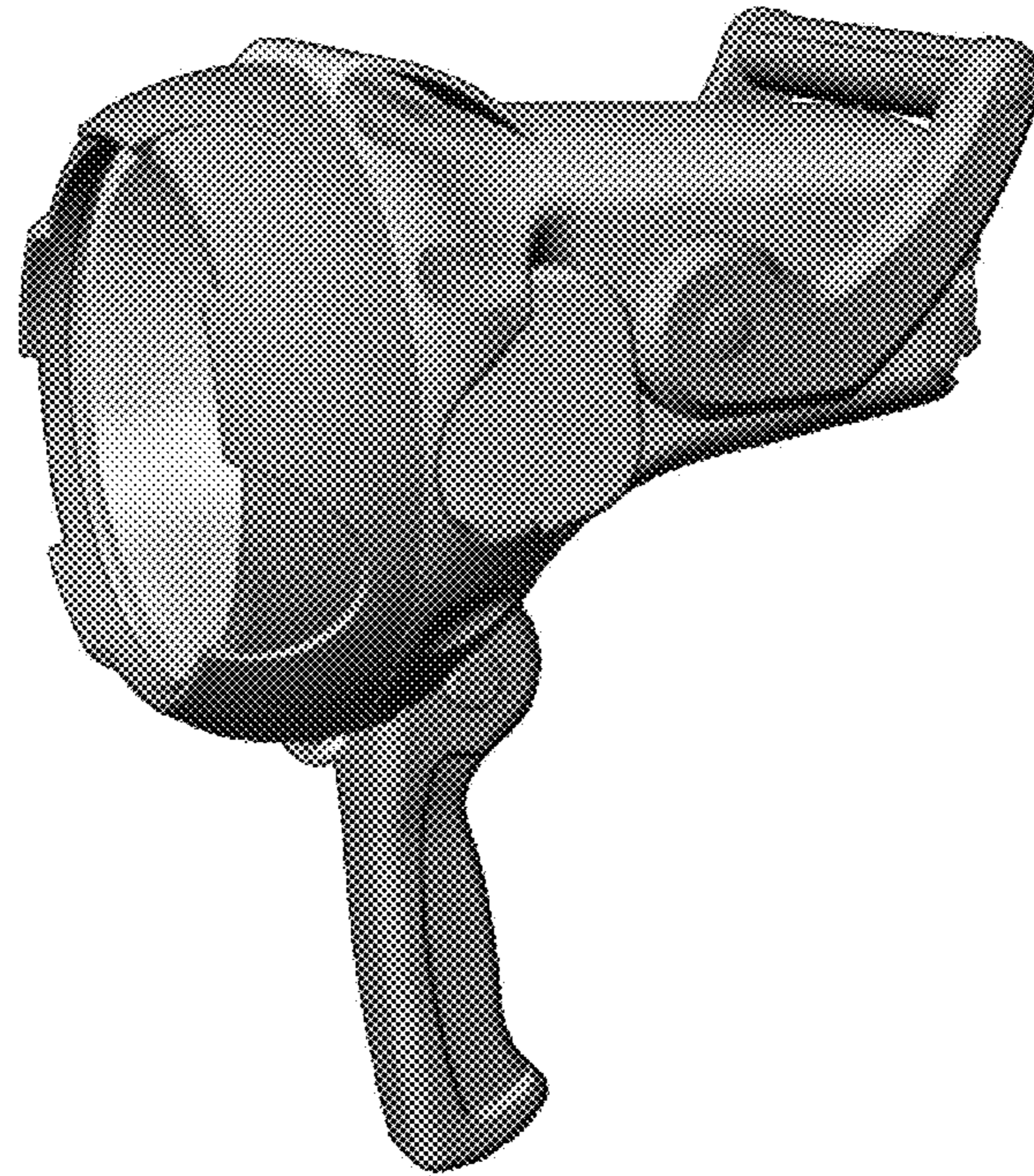


FIG. 9

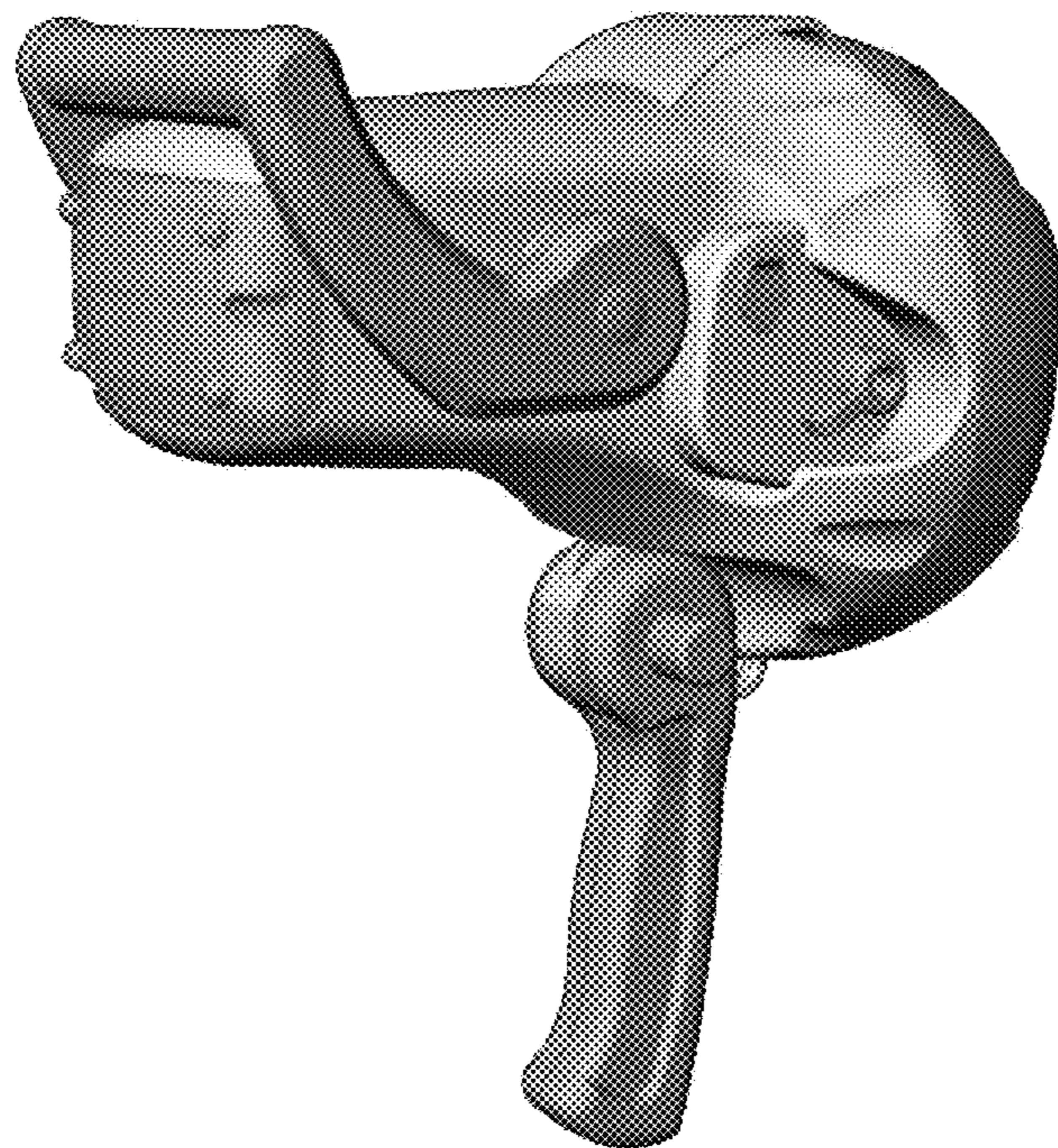


FIG. 10

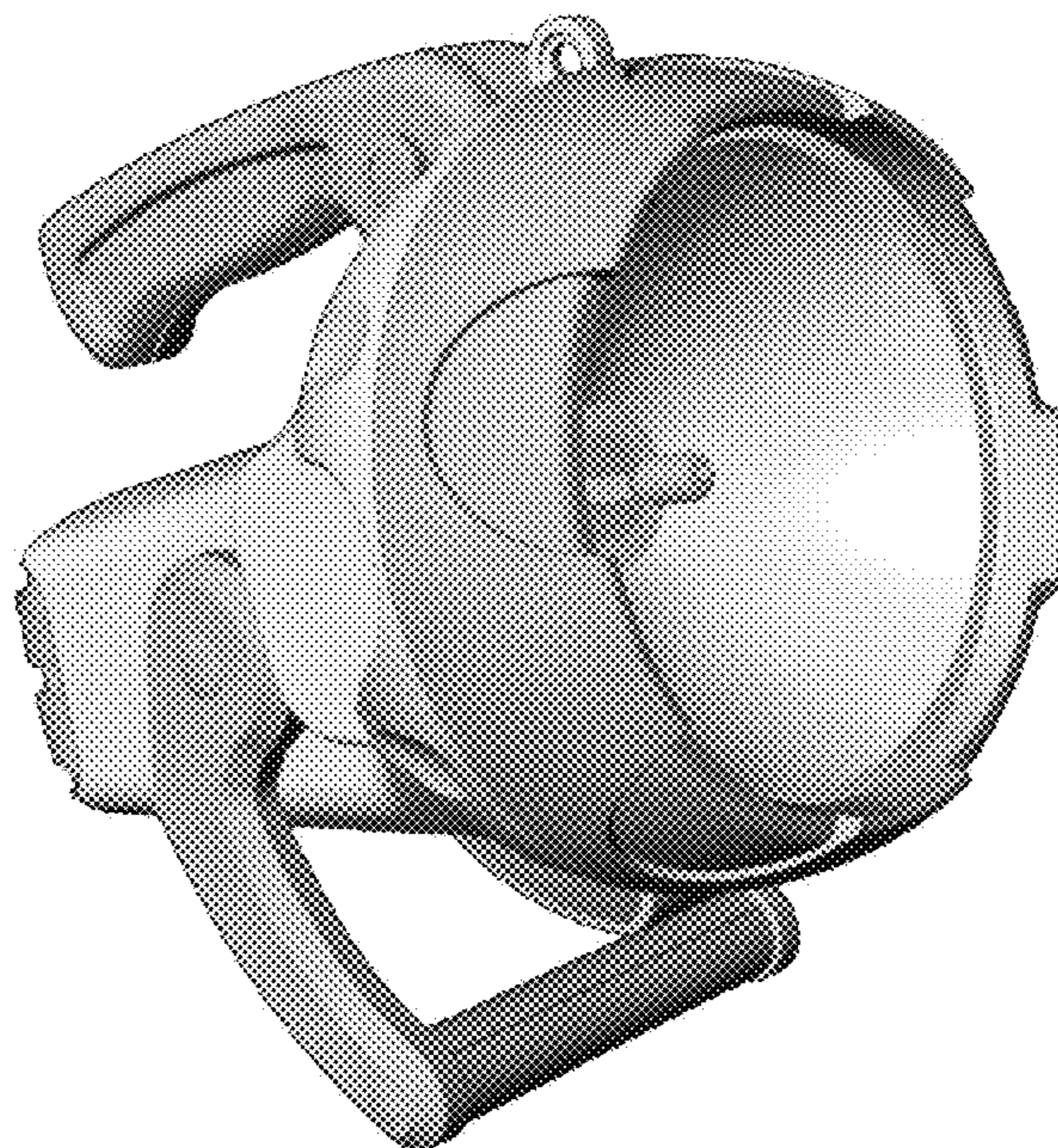


FIG. 11



FIG. 12