



US00D639471S

(12) **United States Design Patent**
Sun

(10) **Patent No.:** **US D639,471 S**

(45) **Date of Patent:** **** Jun. 7, 2011**

(54) **PORTABLE LAMP**

(76) Inventor: **Yikai Sun**, Shenzhen (CN)

(**) Term: **14 Years**

(21) Appl. No.: **29/358,838**

(22) Filed: **Apr. 1, 2010**

(30) **Foreign Application Priority Data**

Mar. 12, 2010 (CN) 2010 3 0124588

(51) **LOC (9) Cl.** **26-02**

(52) **U.S. Cl.** **D26/48; D26/44**

(58) **Field of Classification Search** D26/44,
D26/45, 46, 48, 50; 362/157, 158, 171, 184,
362/187-189, 194-199, 208

See application file for complete search history.

(56) **References Cited**

U.S. PATENT DOCUMENTS

D430,323 S *	8/2000	Yuen	D26/46
D438,317 S *	2/2001	Yuen	D26/48
D511,392 S *	11/2005	Krieger et al.	D26/44
D514,720 S *	2/2006	Sze-Tai	D26/42
D518,908 S *	4/2006	Yuen	D26/46
D520,165 S *	5/2006	Yuen	D26/46
D531,336 S *	10/2006	Yuen	D26/46
D533,673 S *	12/2006	Yuen	D26/46
D534,292 S *	12/2006	Iacovelli et al.	D26/46
D538,458 S *	3/2007	Yuen	D26/46
D539,955 S *	4/2007	Yuen	D26/46

D542,954 S *	5/2007	Yuen	D26/46
D599,924 S *	9/2009	Schoch	D26/44
D605,797 S *	12/2009	Baker et al.	D26/48

* cited by examiner

Primary Examiner — Ian Simmons

Assistant Examiner — Carissa C Fitts

(57) **CLAIM**

The ornamental design for a portable lamp, as shown and described.

DESCRIPTION

FIG. 1 is a perspective view of a portable lamp showing my new design;

FIG. 2 is a rear side view of the portable lamp shown in FIG. 1;

FIG. 3 is a top view of the portable lamp depicted in FIG. 1;

FIG. 4 is a bottom view of a portable lamp depicted in FIG. 1;

FIG. 5 is a left side elevational view of the portable lamp shown in FIG. 1;

FIG. 6 is a right side elevational view of the portable lamp shown in FIG. 1;

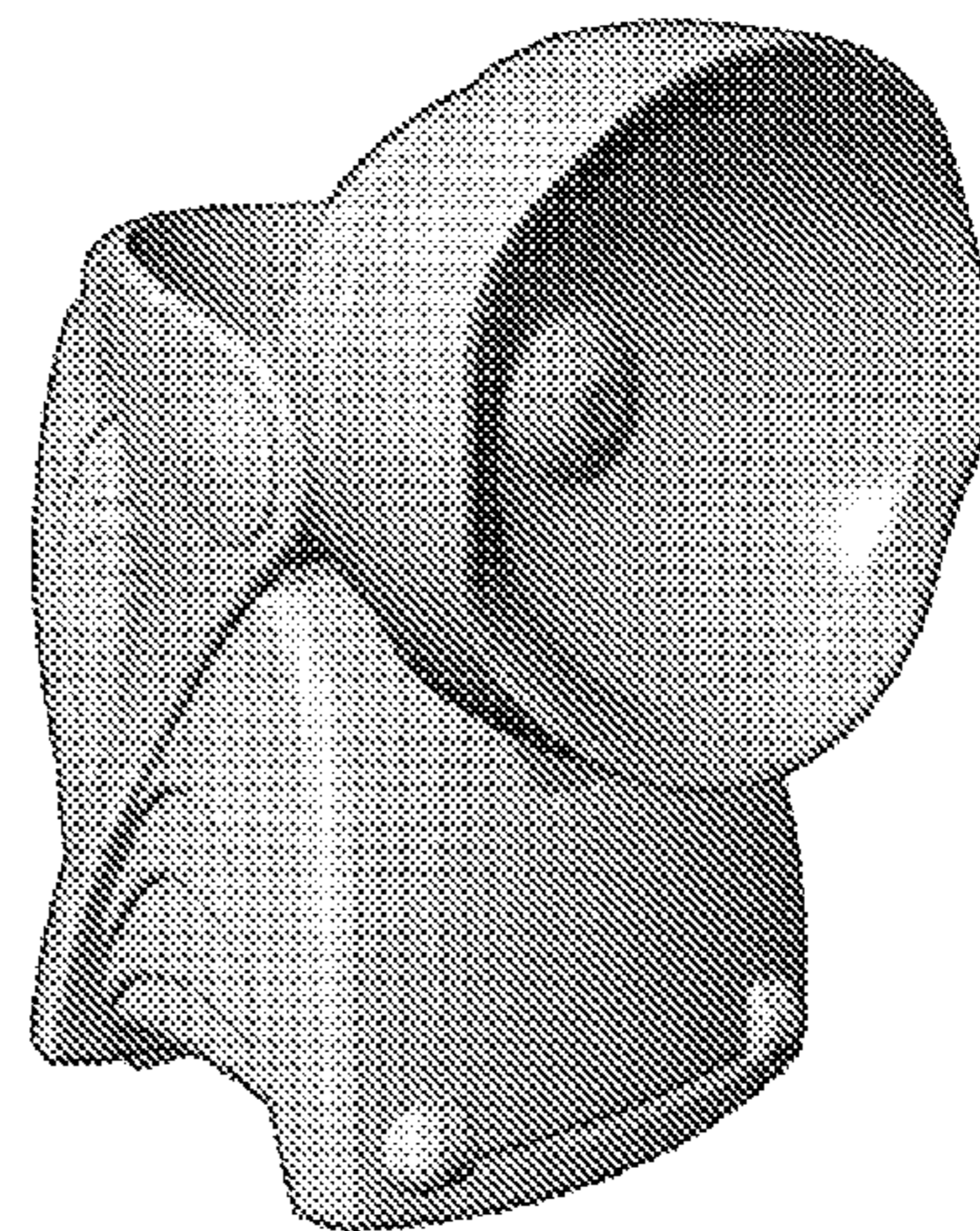
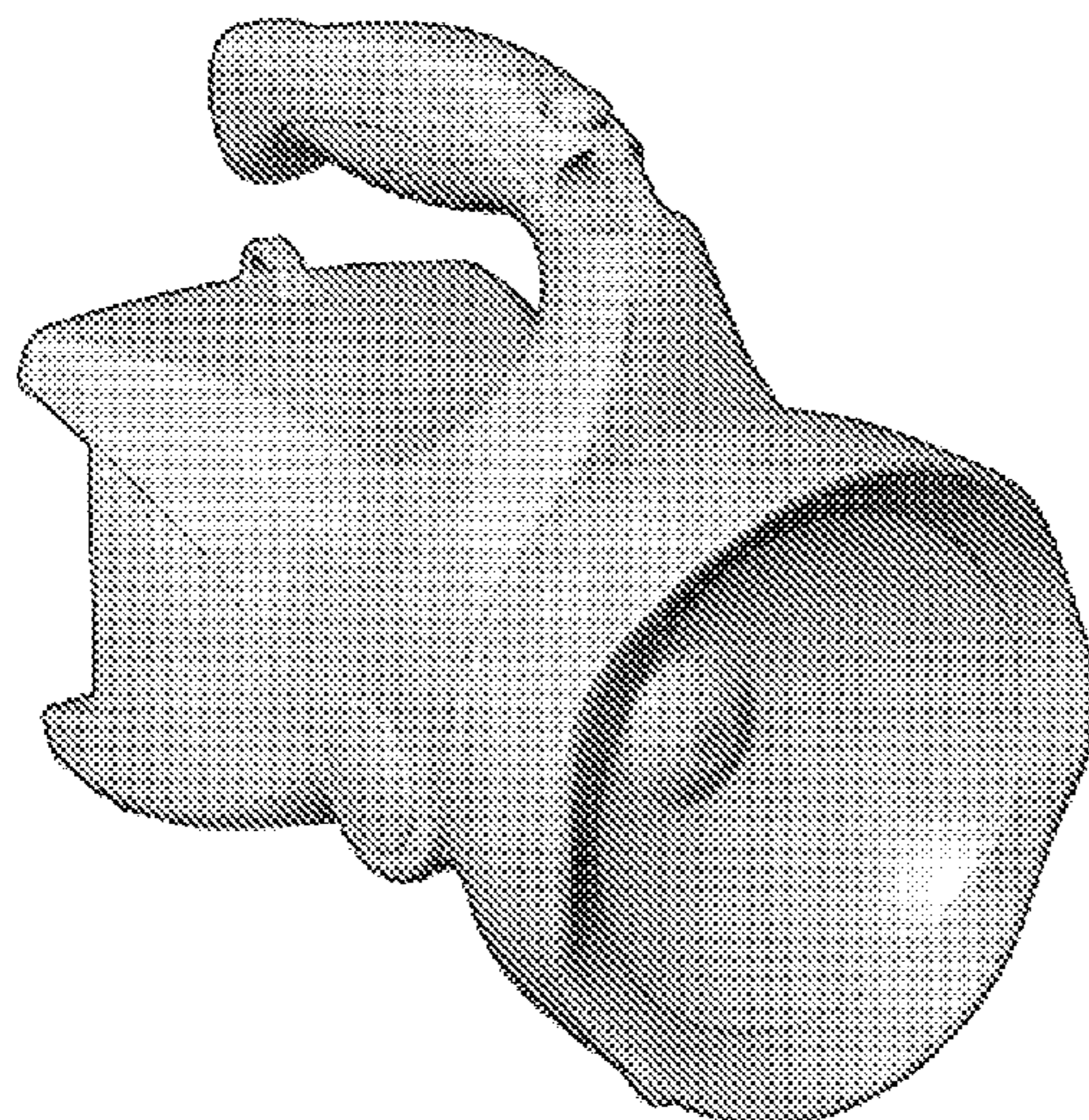
FIG. 7 is a front side view of the portable lamp shown in FIG. 1;

FIG. 8 is another perspective view of the portable lamp shown in FIG. 1;

FIG. 9 is a perspective view of the portable lamp shown in FIG. 1 in an alternate position; and,

FIG. 10 is a perspective view of the portable lamp shown in FIG. 1 in an alternate position.

1 Claim, 5 Drawing Sheets



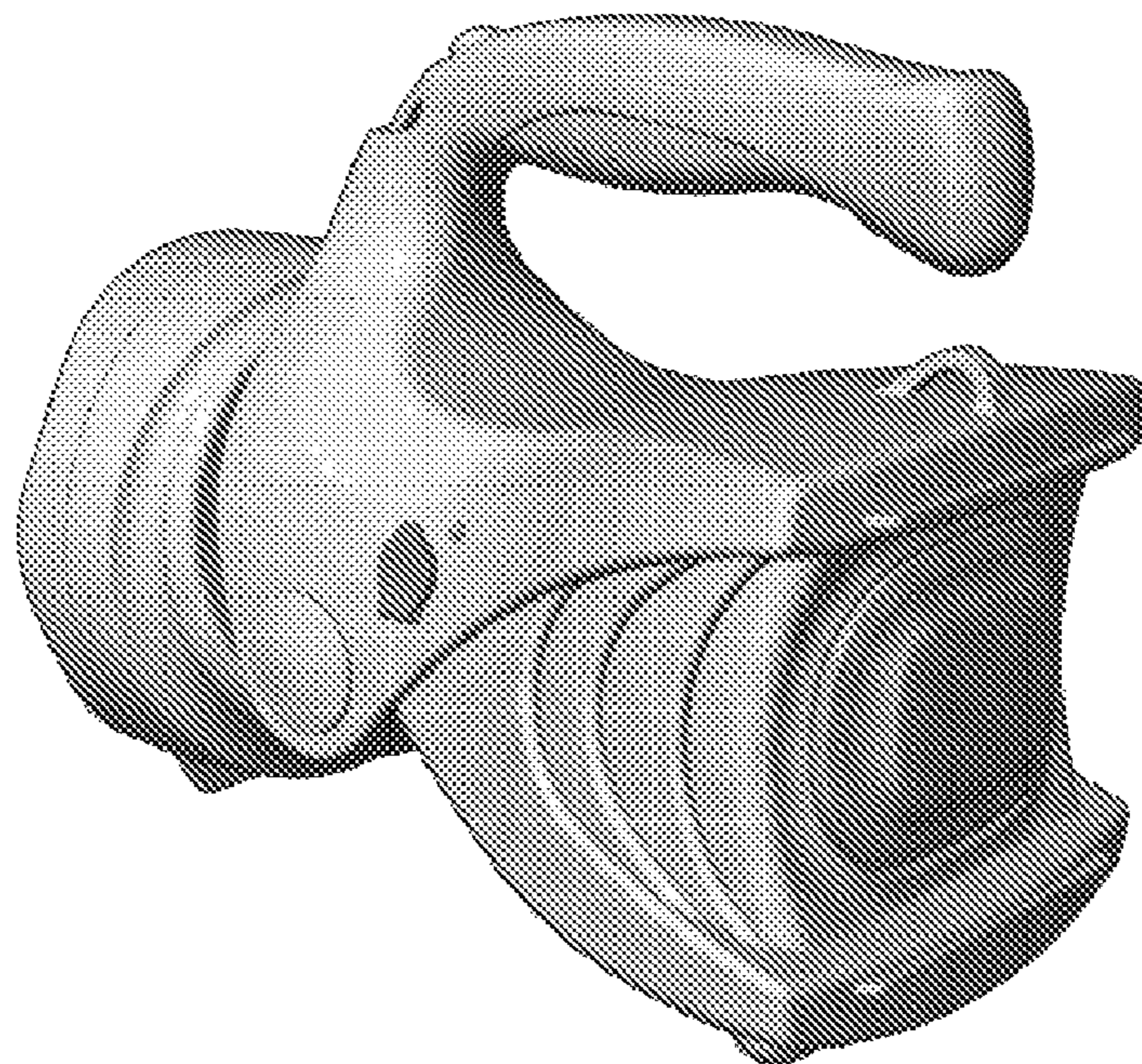


FIG. 1

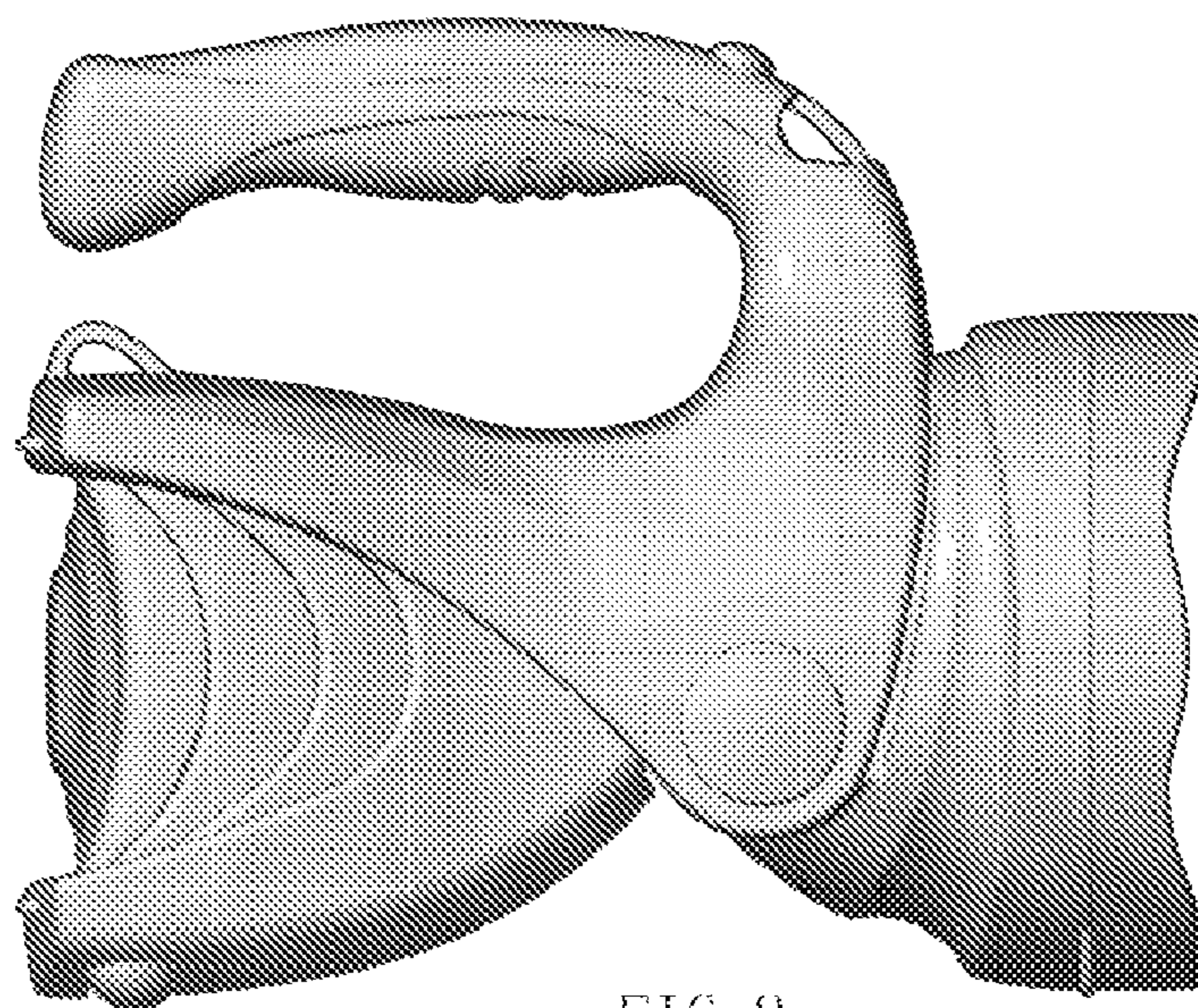


FIG. 2

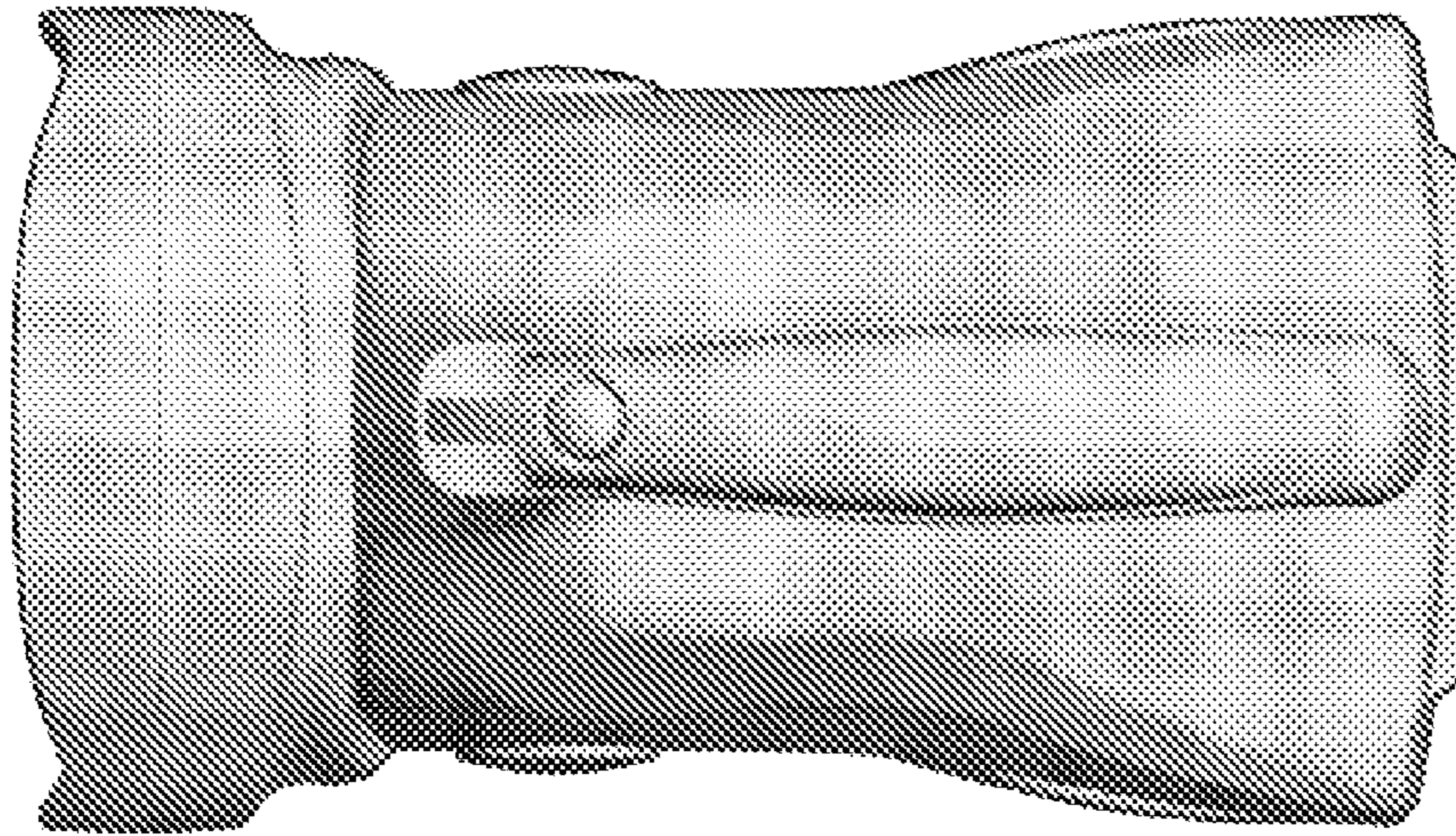


FIG. 3

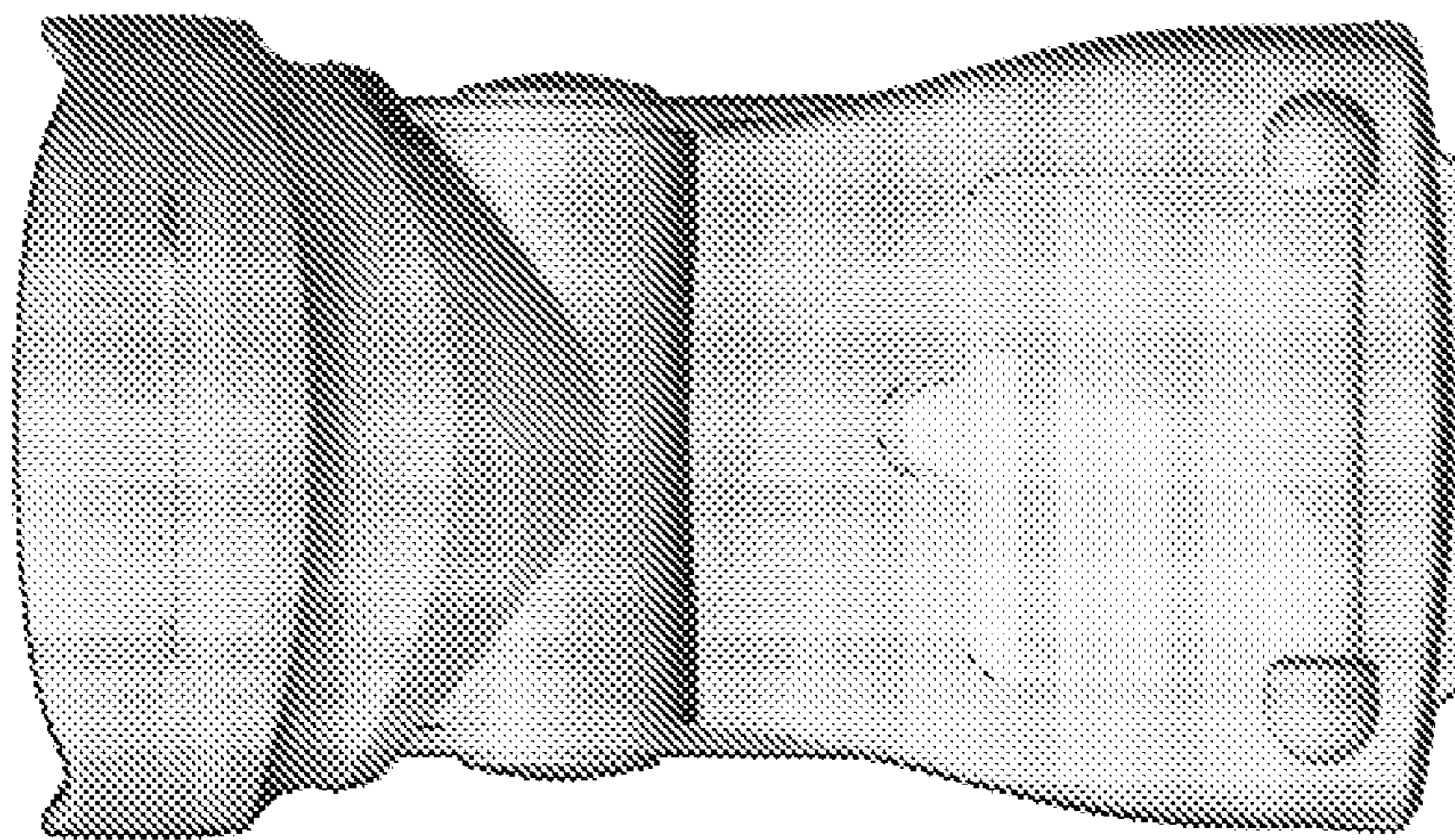


FIG. 4

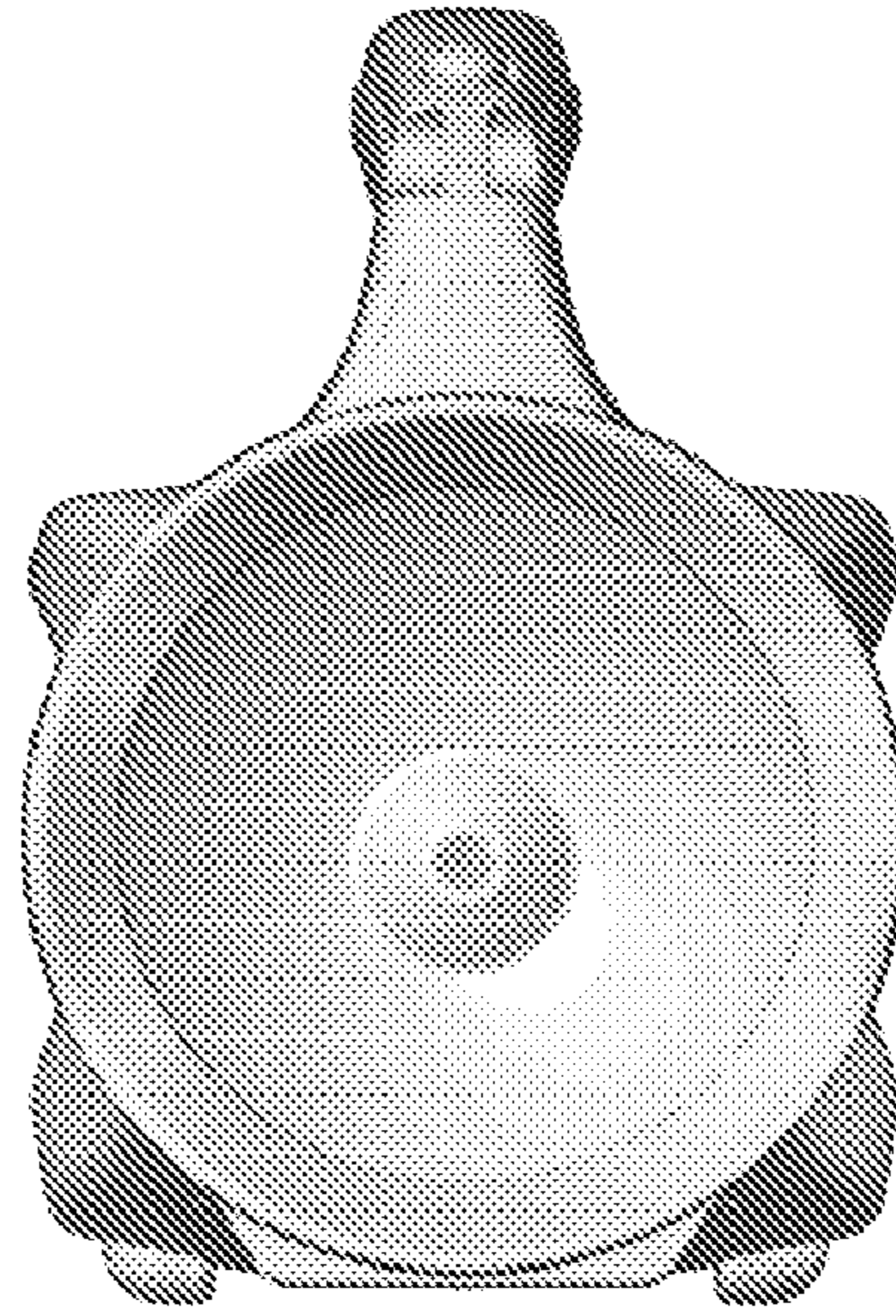


FIG. 5

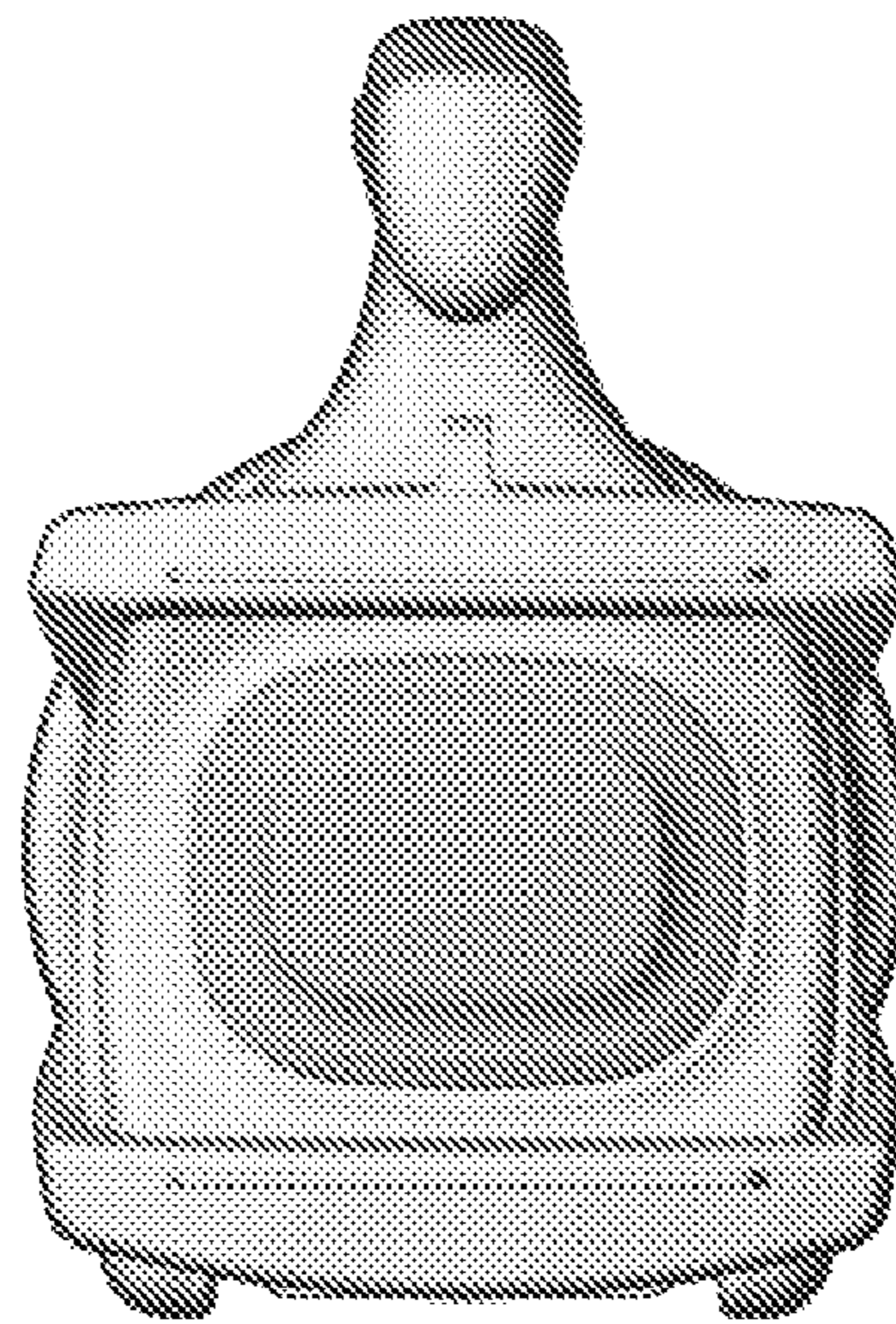


FIG. 6

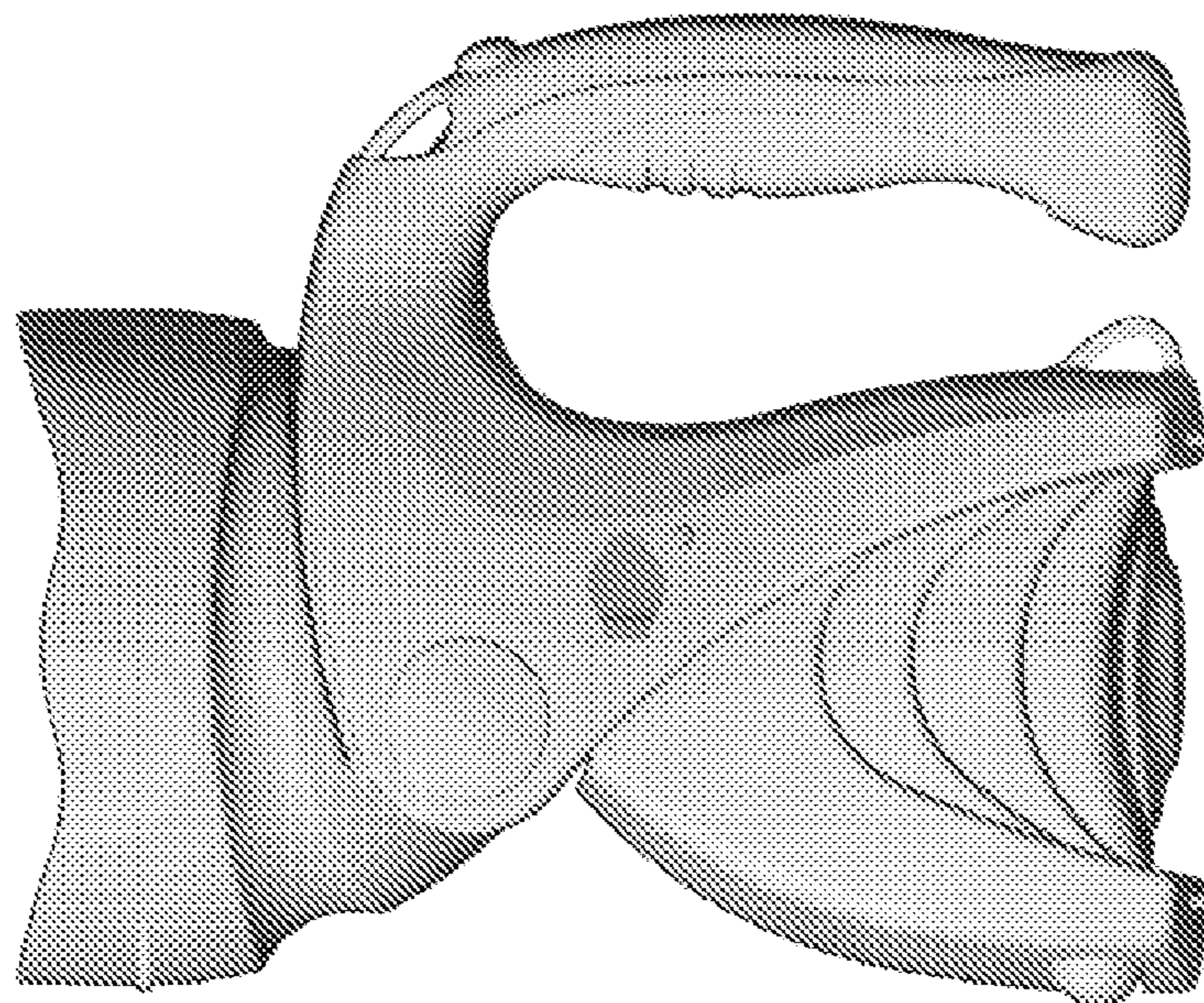


FIG. 7

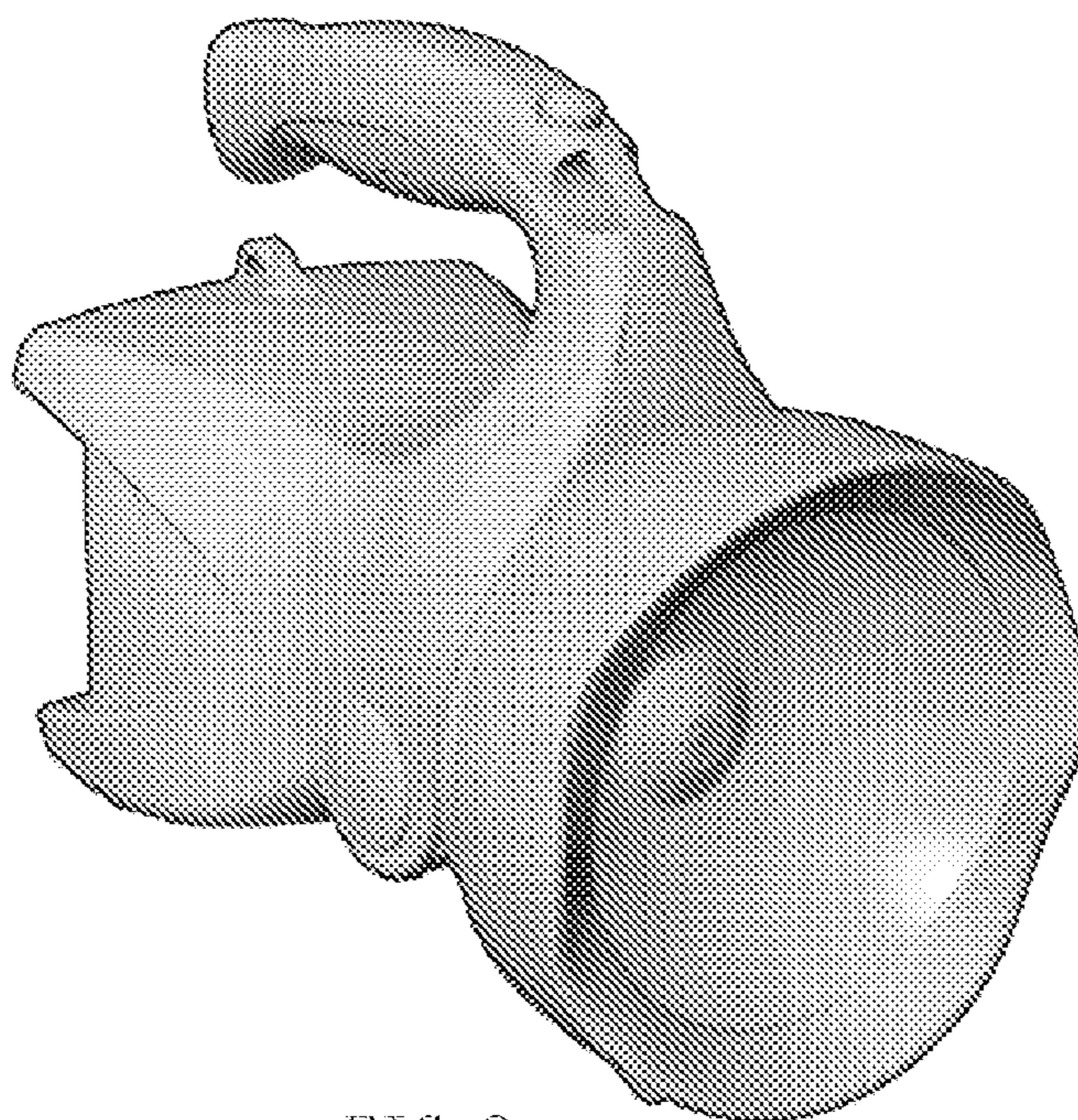


FIG. 8

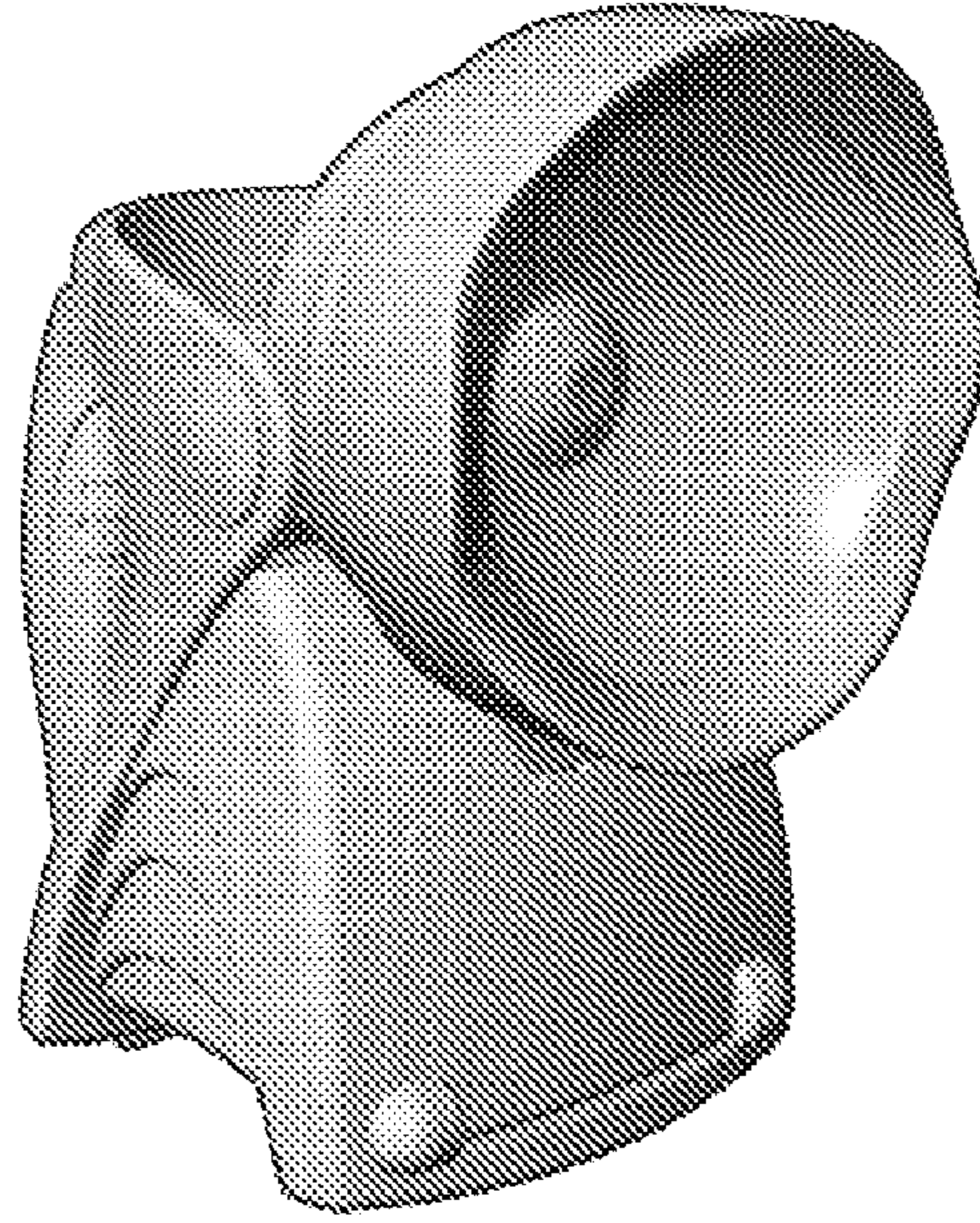


FIG. 9

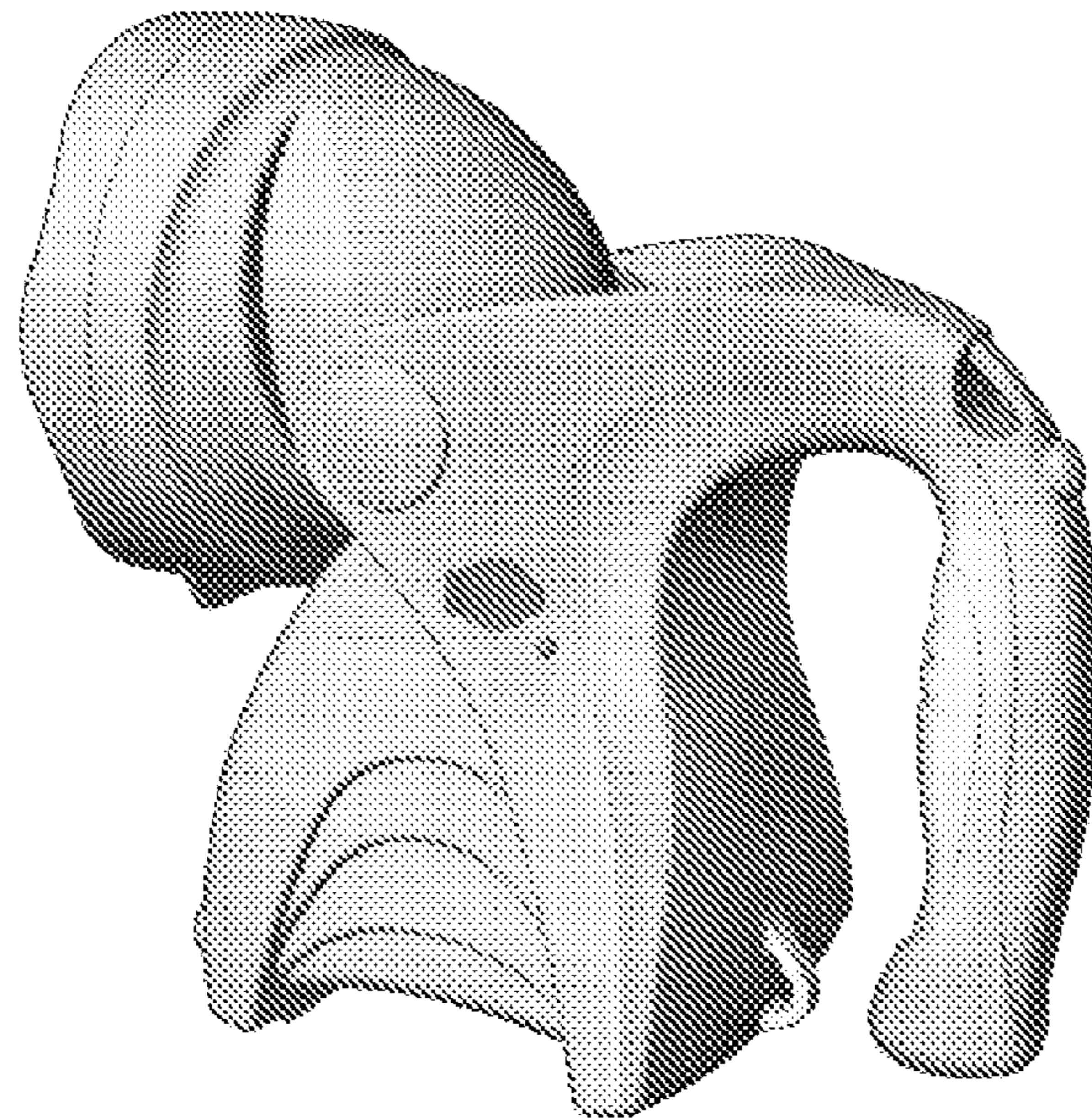


FIG. 10