



US00D639468S

(12) **United States Design Patent**  
**Huang**

(10) **Patent No.:** **US D639,468 S**  
(45) **Date of Patent:** **\*\* Jun. 7, 2011**

(54) **VEHICLE LAMP**

(75) Inventor: **Cheng-Nan Huang**, Tainan County  
(TW)

(73) Assignee: **Sirius Light Technology Co., Ltd.**,  
Tainan (TW)

(\*\*) Term: **14 Years**

(21) Appl. No.: **29/378,260**

(22) Filed: **Nov. 2, 2010**

(30) **Foreign Application Priority Data**

Jul. 30, 2010 (TW) ..... 99303757

(51) **LOC (9) Cl.** ..... **26-06**

(52) **U.S. Cl.** ..... **D26/28**

(58) **Field of Classification Search** ..... D26/28-36;  
362/459-468, 475-478, 485-487  
See application file for complete search history.

(56) **References Cited**

**U.S. PATENT DOCUMENTS**

D490,172 S \* 5/2004 Yamamoto ..... D26/28  
D521,162 S \* 5/2006 Campagna ..... D26/28

D532,537 S \* 11/2006 Shiu ..... D26/39  
D564,683 S \* 3/2008 Roach et al. .... D26/28  
D570,011 S \* 5/2008 Huang ..... D26/28  
D574,978 S \* 8/2008 Hyodo et al. .... D26/28  
D575,856 S \* 8/2008 Ziemann et al. .... D23/284  
D585,575 S \* 1/2009 Crispin et al. .... D26/28  
D606,675 S \* 12/2009 Chinaglia ..... D26/28

\* cited by examiner

*Primary Examiner* — Marcus A Jackson

(74) *Attorney, Agent, or Firm* — Birch, Stewart, Kolasch &  
Birch, LLP

(57) **CLAIM**

The ornamental design for vehicle lamp, as shown and  
described.

**DESCRIPTION**

FIG. 1 is a perspective view of vehicle lamp showing my new  
design;  
FIG. 2 is a front elevational view thereof;  
FIG. 3 is a rear elevational view thereof;  
FIG. 4 is a left side elevational view thereof;  
FIG. 5 is a right side elevational view thereof;  
FIG. 6 is a top plan view thereof; and,  
FIG. 7 is a bottom plan view thereof.

**1 Claim, 5 Drawing Sheets**

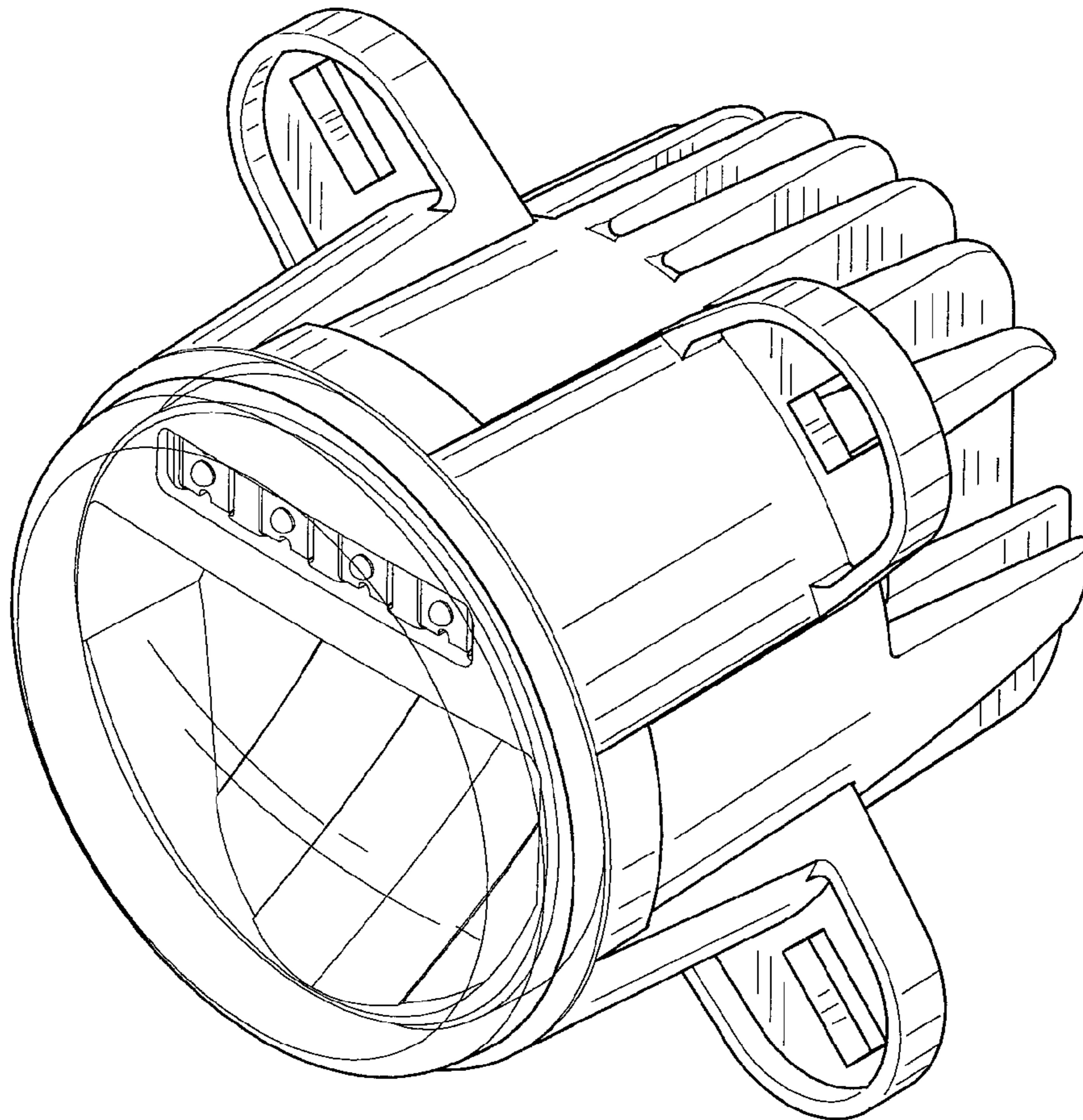
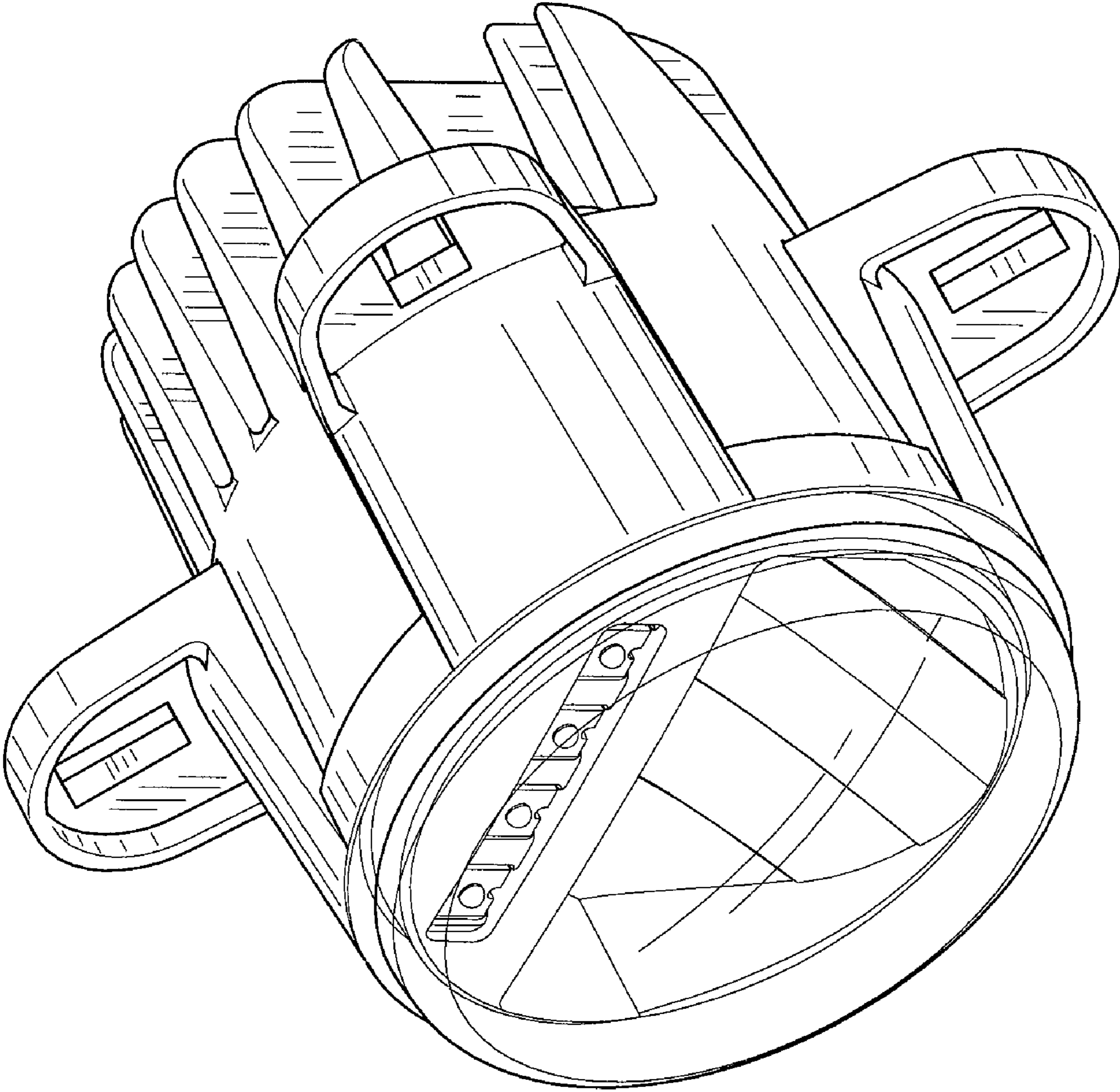


FIG. 1



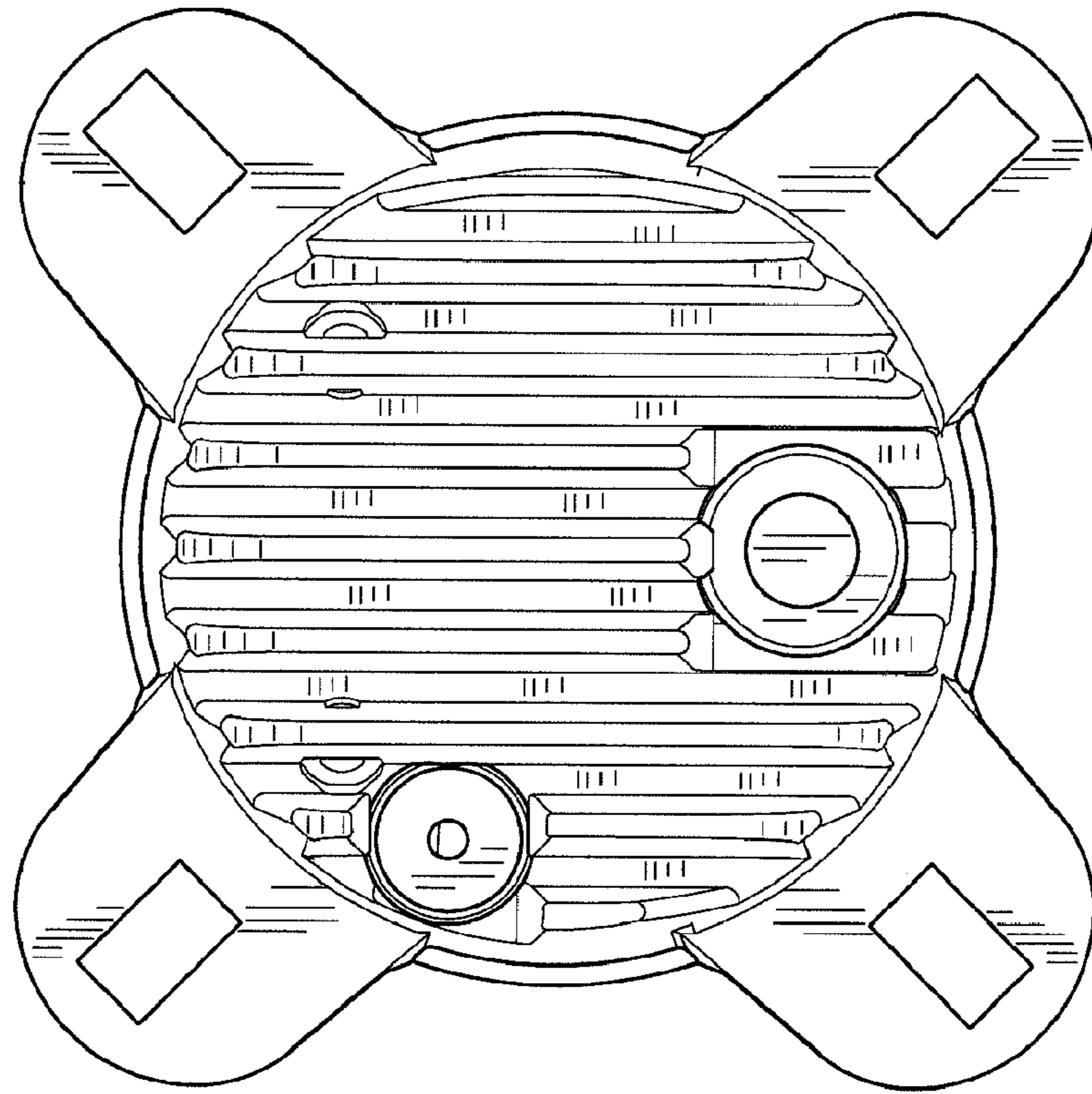


FIG. 3

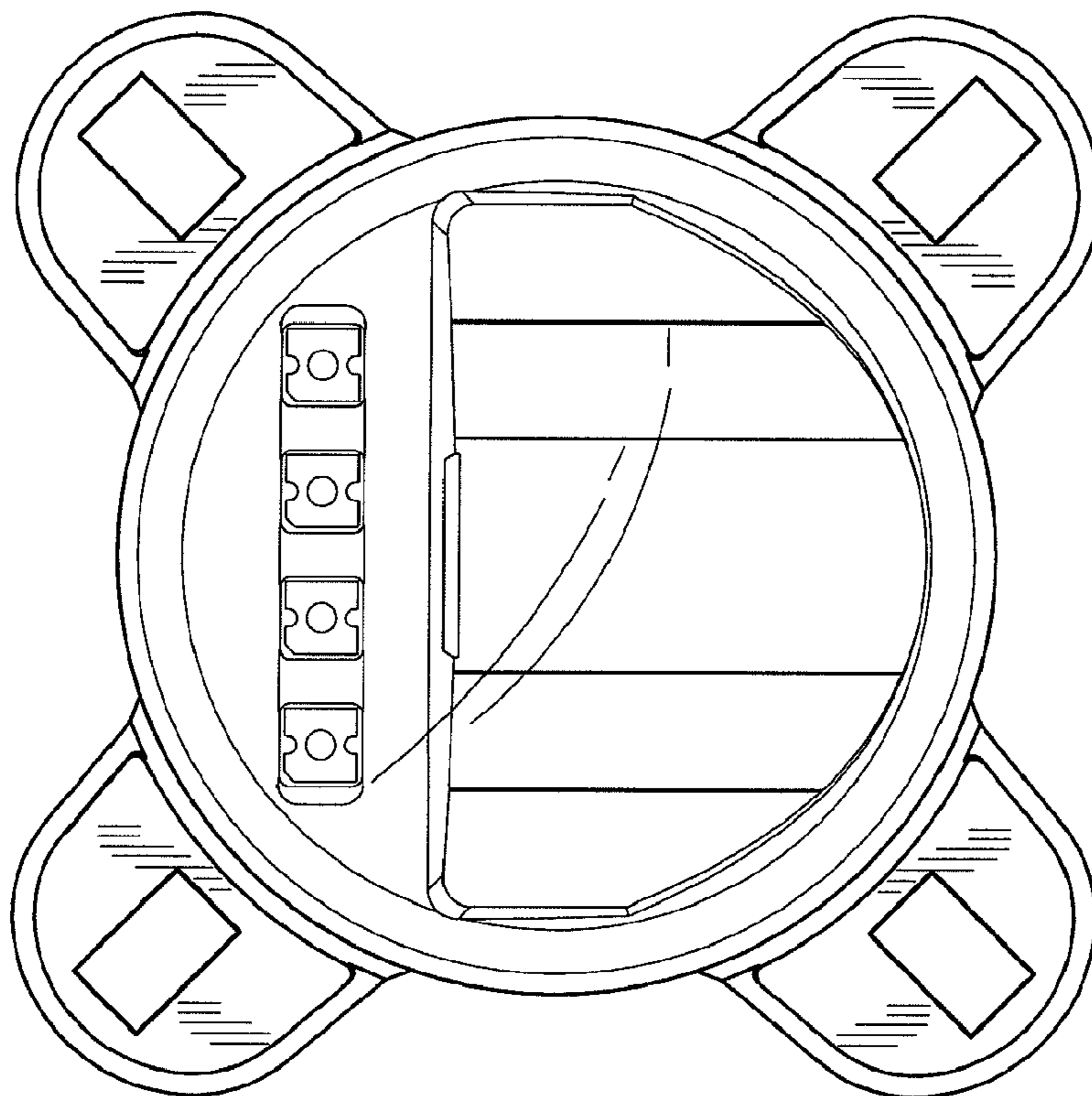


FIG. 2



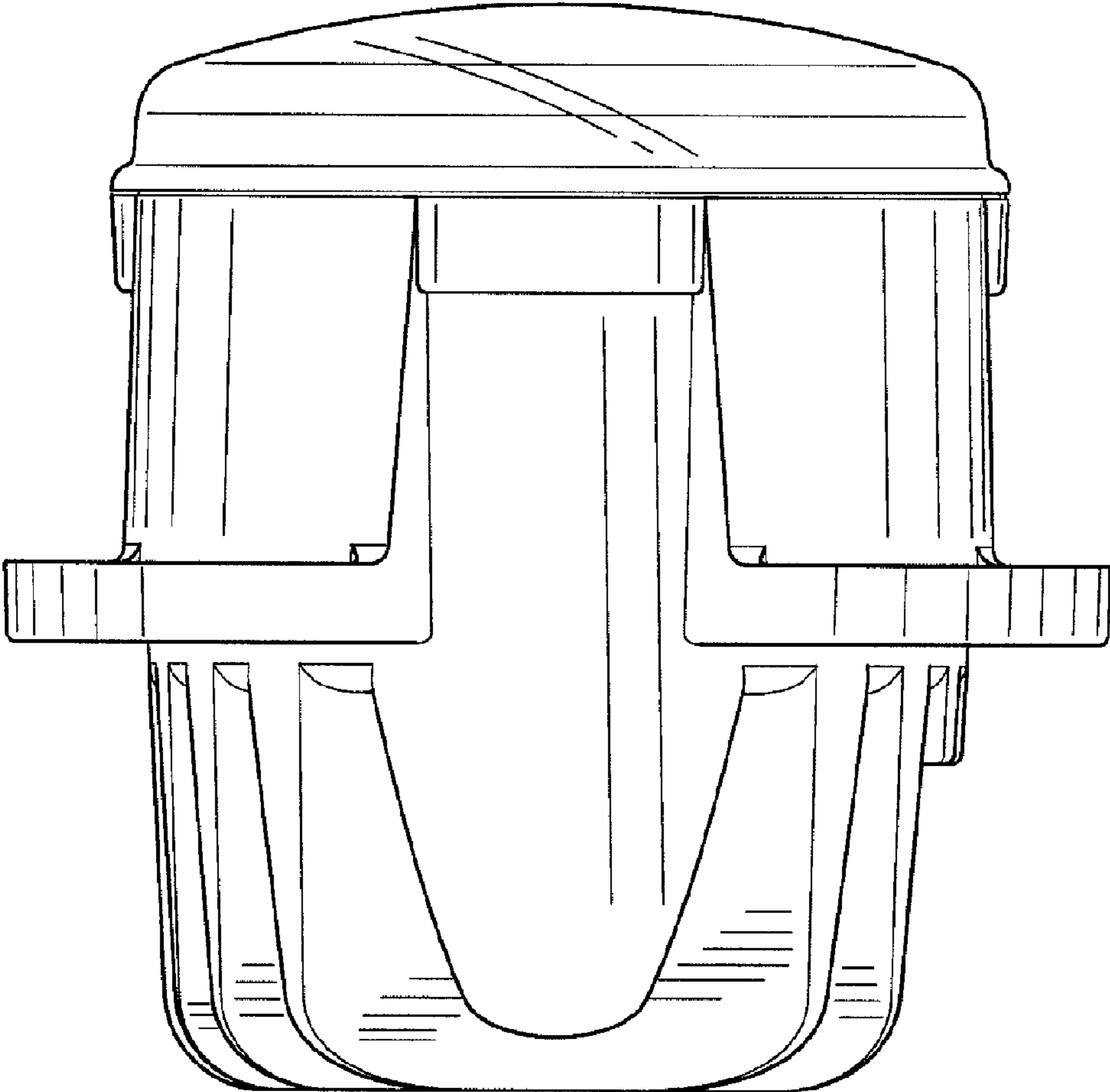


FIG. 4

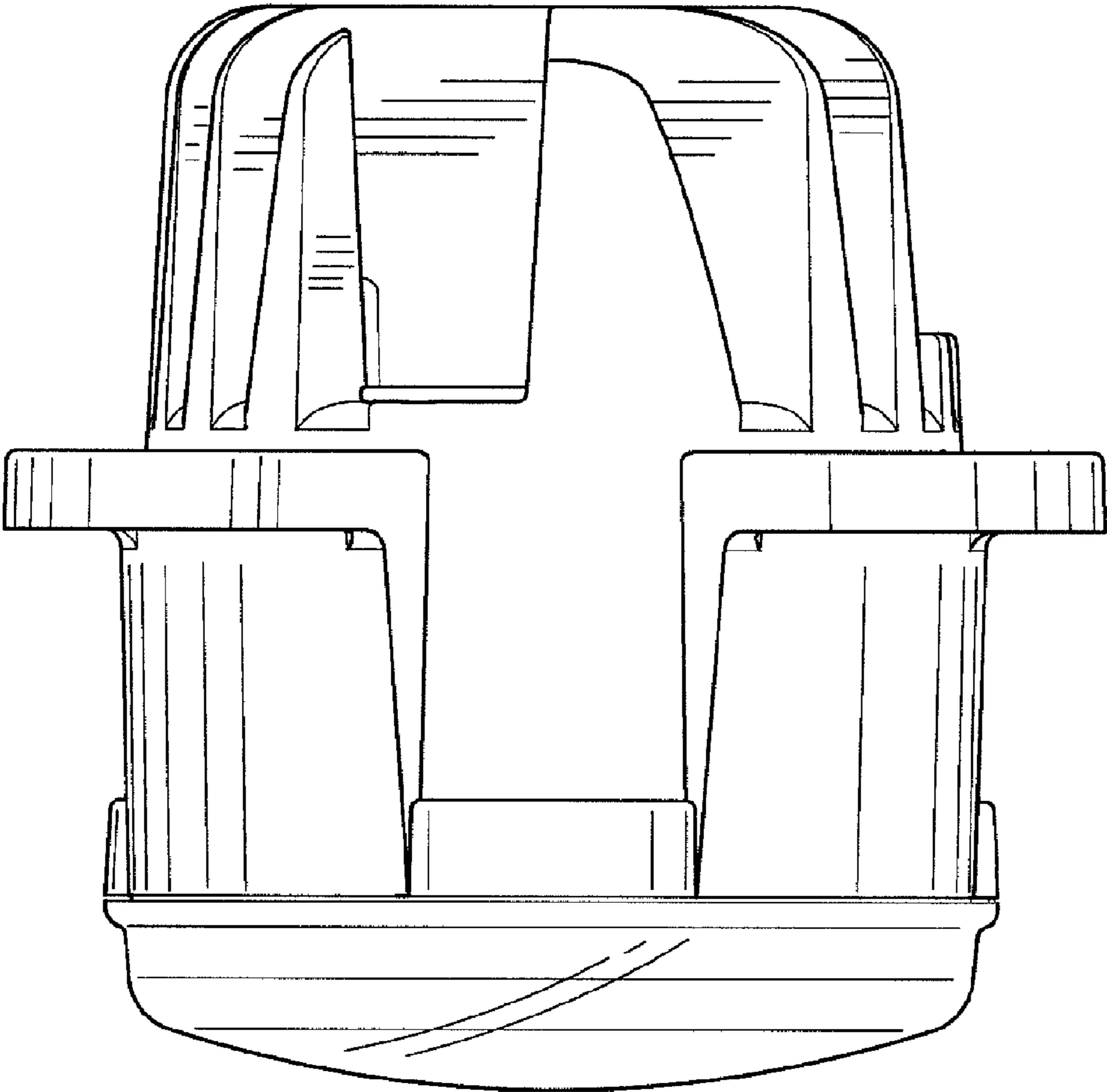


FIG. 5

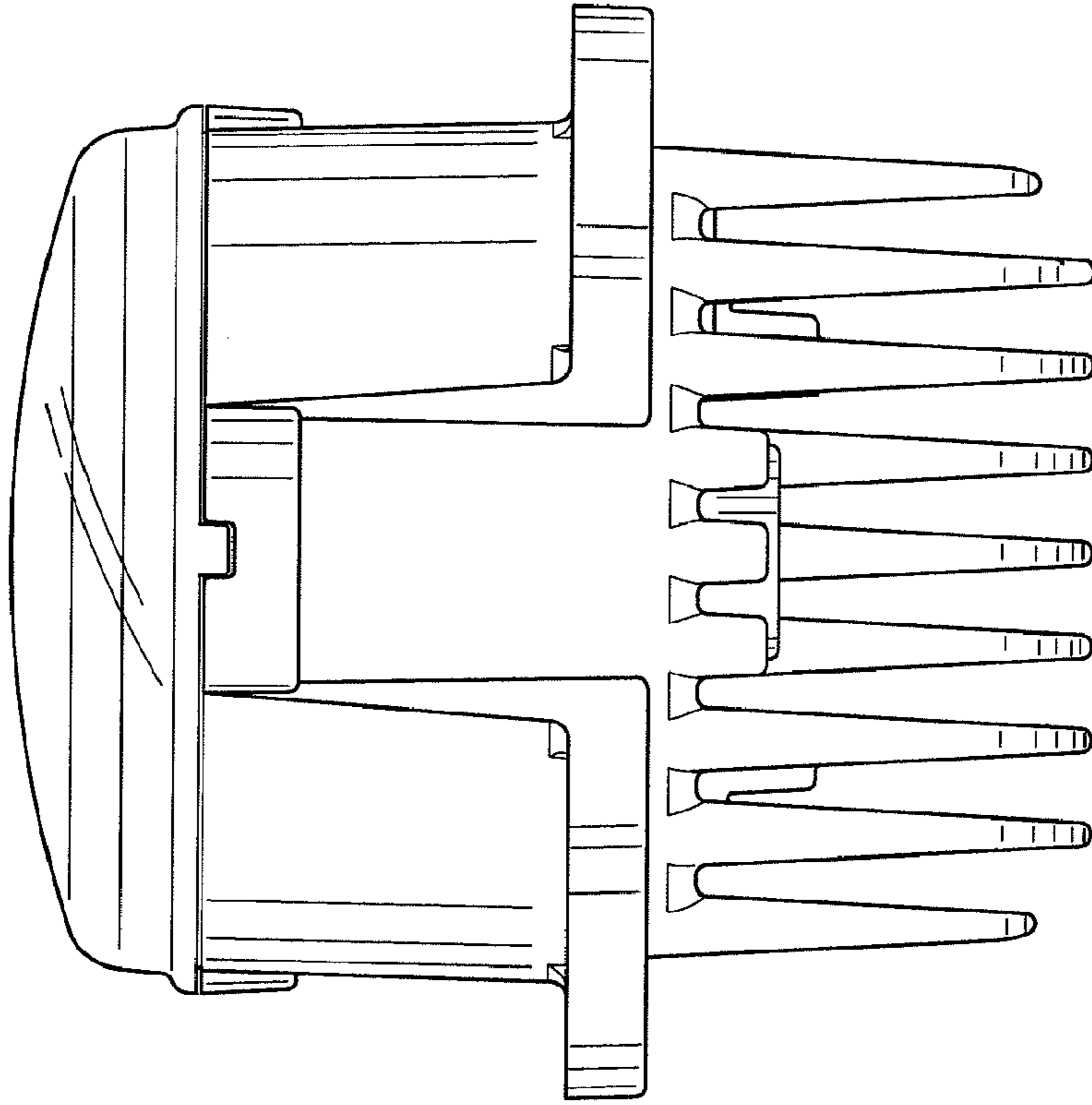


FIG. 7

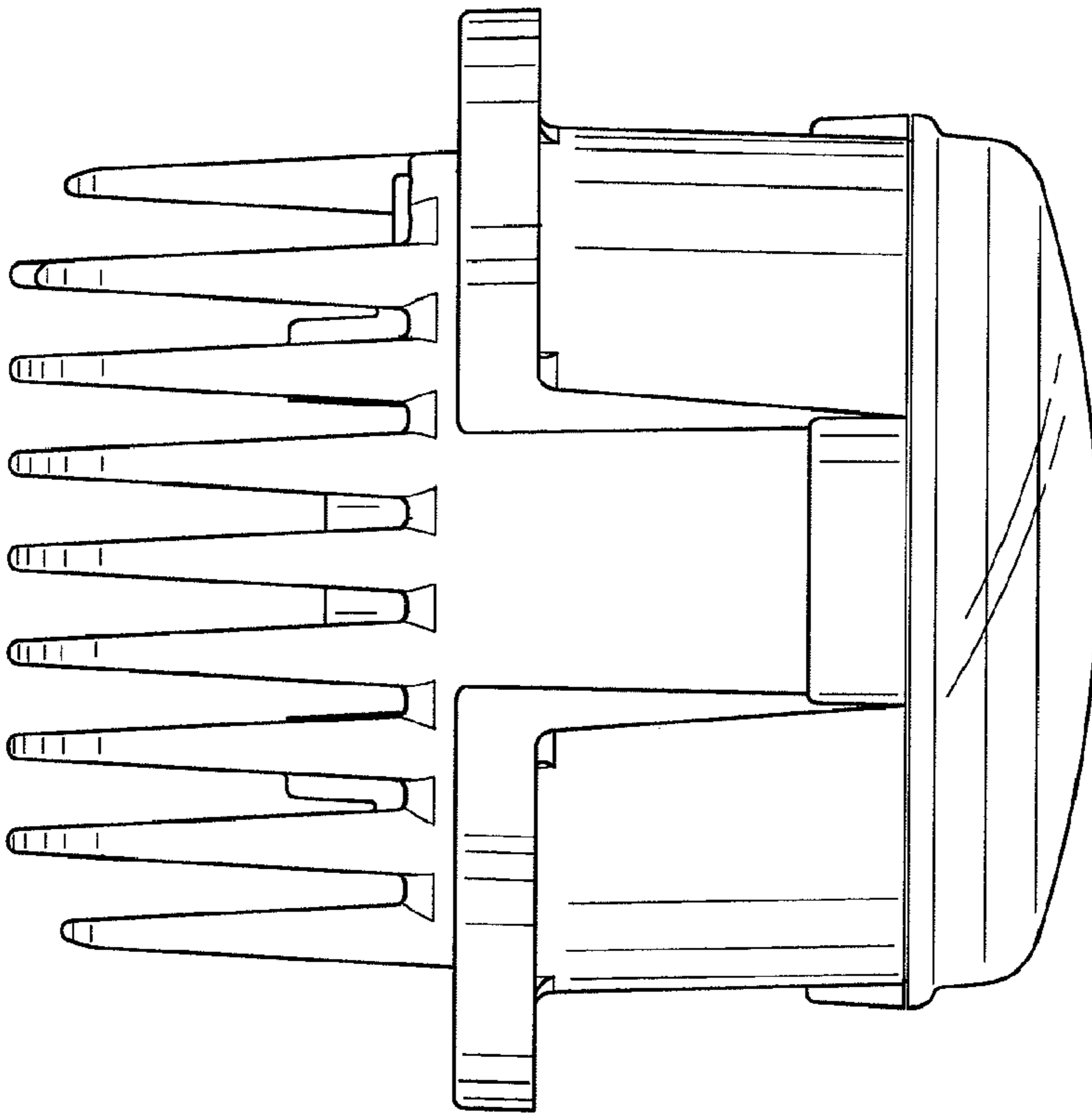


FIG. 6