



US00D639466S

(12) **United States Design Patent**  
**Feuerstein**

(10) **Patent No.:** **US D639,466 S**

(45) **Date of Patent:** **\*\* Jun. 7, 2011**

(54) **ULTRASONIC PEST REPELLER WITH LED NIGHT LIGHT AND EXTRA OUTLET SAFETY COVER**

(76) Inventor: **Debbie Feuerstein**, Riverdale, NY (US)

(\*\*) Term: **14 Years**

(21) Appl. No.: **29/367,533**

(22) Filed: **Aug. 10, 2010**

(51) **LOC (9) Cl.** ..... **26-05**

(52) **U.S. Cl.** ..... **D26/26; D22/120**

(58) **Field of Classification Search** ..... D26/24,  
D26/26, 37, 46, 72, 85, 87, 88, 89, 93, 104,  
D26/113, 118, 1, 2, 3, 28, 38, 60, 74, 75,  
D26/77, 78; D10/111, 114; D23/366, 367,  
D23/368; D13/107, 108, 180, 182, 137.2;  
362/640, 641, 642, 643, 644, 652, 653, 655,  
362/657, 249.02, 311.02, 800, 806, 555,  
362/567, 116, 122, 123, 145, 147, 157, 183,  
362/194, 195, 200, 565; D22/120, 122, 123;  
43/113, 132.1

See application file for complete search history.

(56) **References Cited**

**U.S. PATENT DOCUMENTS**

D288,245 S *	2/1987	Corder et al.	.....	D26/26
D359,575 S *	6/1995	How et al.	.....	D26/26
D433,521 S *	11/2000	Jaworski	.....	D26/26
D435,125 S *	12/2000	Boessel	.....	D26/26
D458,334 S *	6/2002	Levine	.....	D22/120

D469,147 S *	1/2003	Levine	.....	D22/120
D469,149 S *	1/2003	Levine	.....	D22/120
D469,499 S *	1/2003	Levine	.....	D22/120
D528,184 S *	9/2006	Yuen	.....	D22/120
D548,319 S *	8/2007	Triplett et al.	.....	D23/366
D609,321 S *	2/2010	Tomasulo et al.	.....	D23/366
D619,276 S *	7/2010	Choi	.....	D26/26
2009/0100743 A1 *	4/2009	Prater	.....	43/112

\* cited by examiner

*Primary Examiner* — Angela J Lee

(74) *Attorney, Agent, or Firm* — Law Offices of Edward Langer; Edward Langer

(57) **CLAIM**

The ornamental design for an ultrasonic pest repeller with LED night light and extra outlet safety cover, as shown and described.

**DESCRIPTION**

FIG. 1 is a front view of an ultrasonic pest repeller with LED night light and extra outlet safety cover showing our new design;

FIG. 2 is a rear view of the design of FIG. 1;

FIG. 3 is a right side view of the design of FIG. 1;

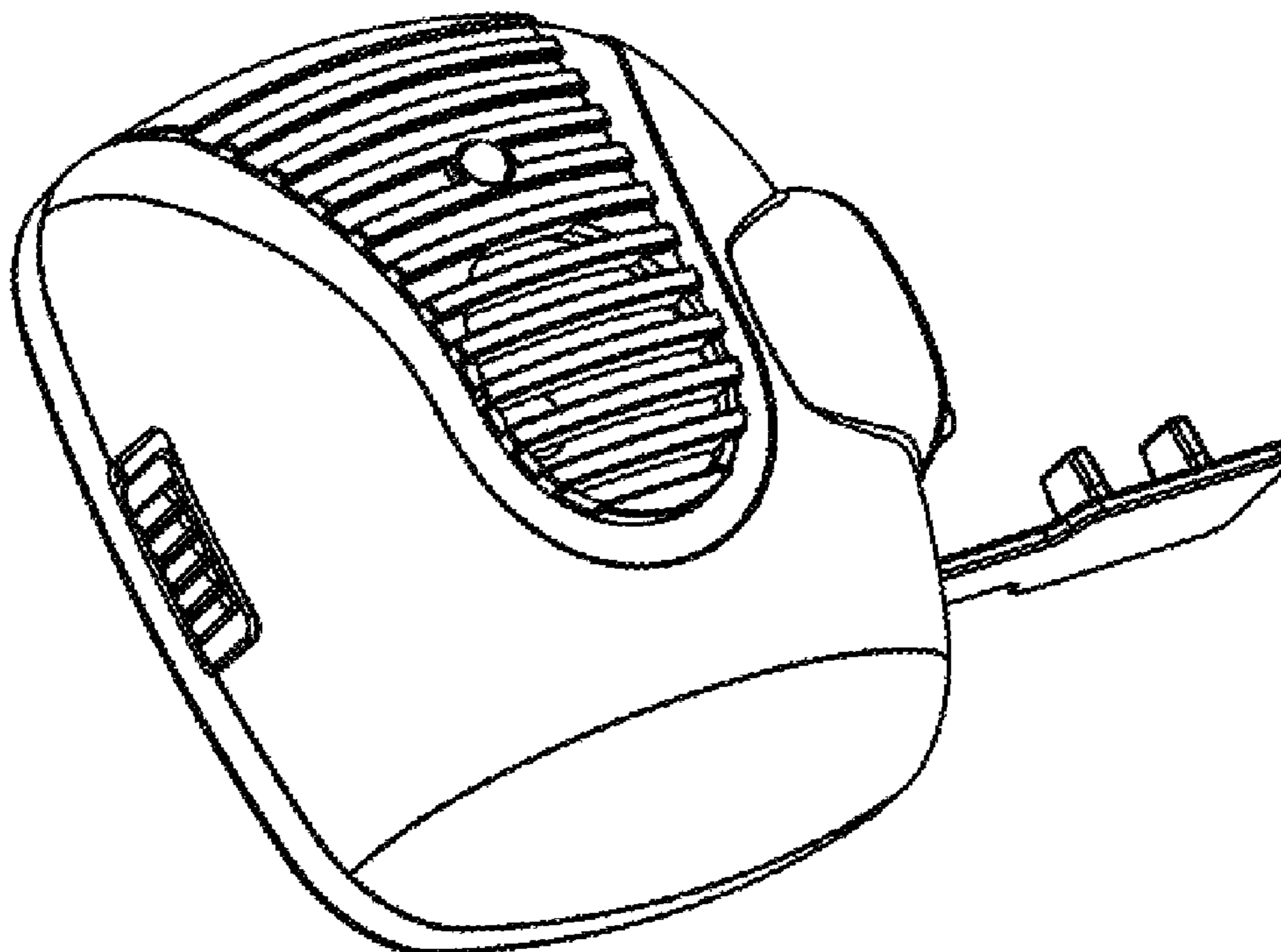
FIG. 4 is a left side view of the design of FIG. 1;

FIG. 5 is a top view of the design of FIG. 1;

FIG. 6 is a right side perspective view of the design of FIG. 1; and,

FIG. 7 is a left side perspective view of the design of FIG. 1.

**1 Claim, 4 Drawing Sheets**



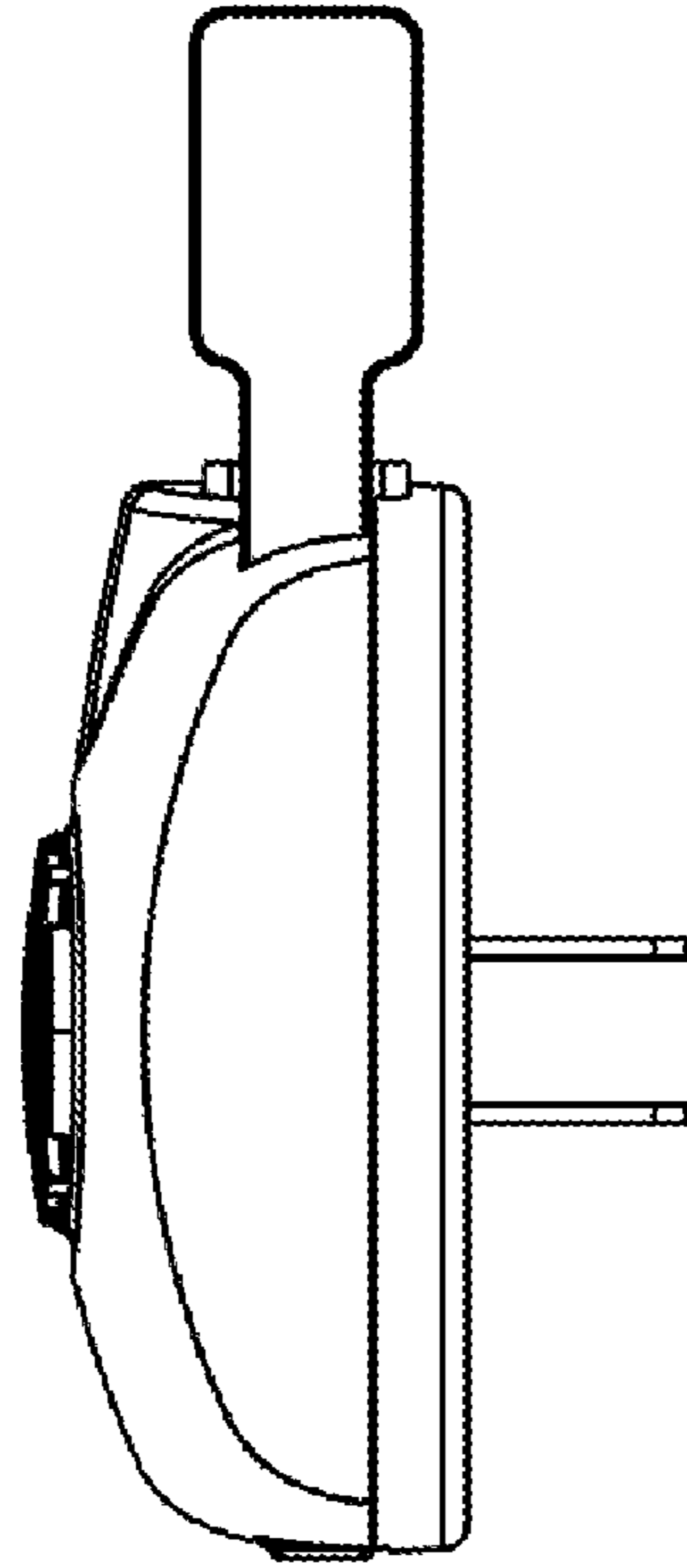


FIG. 1

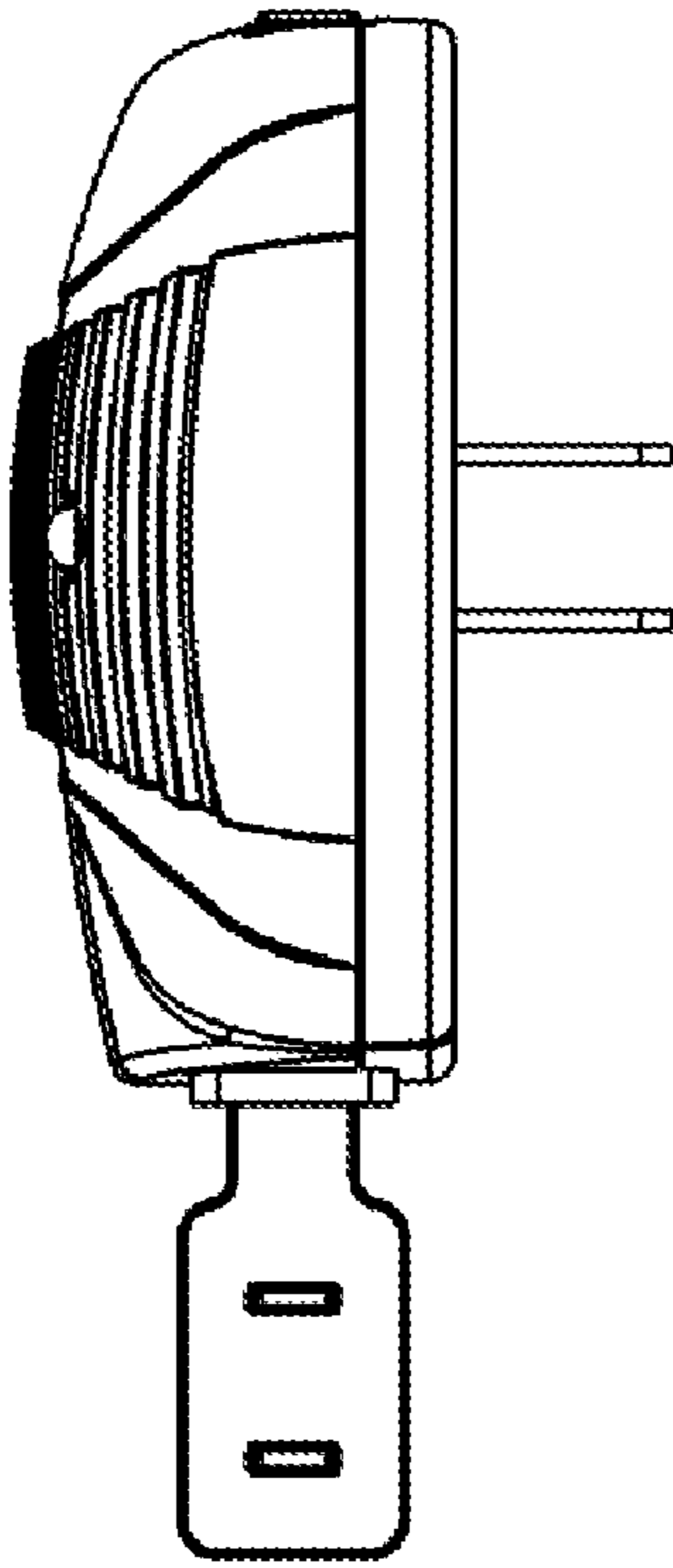


FIG. 2

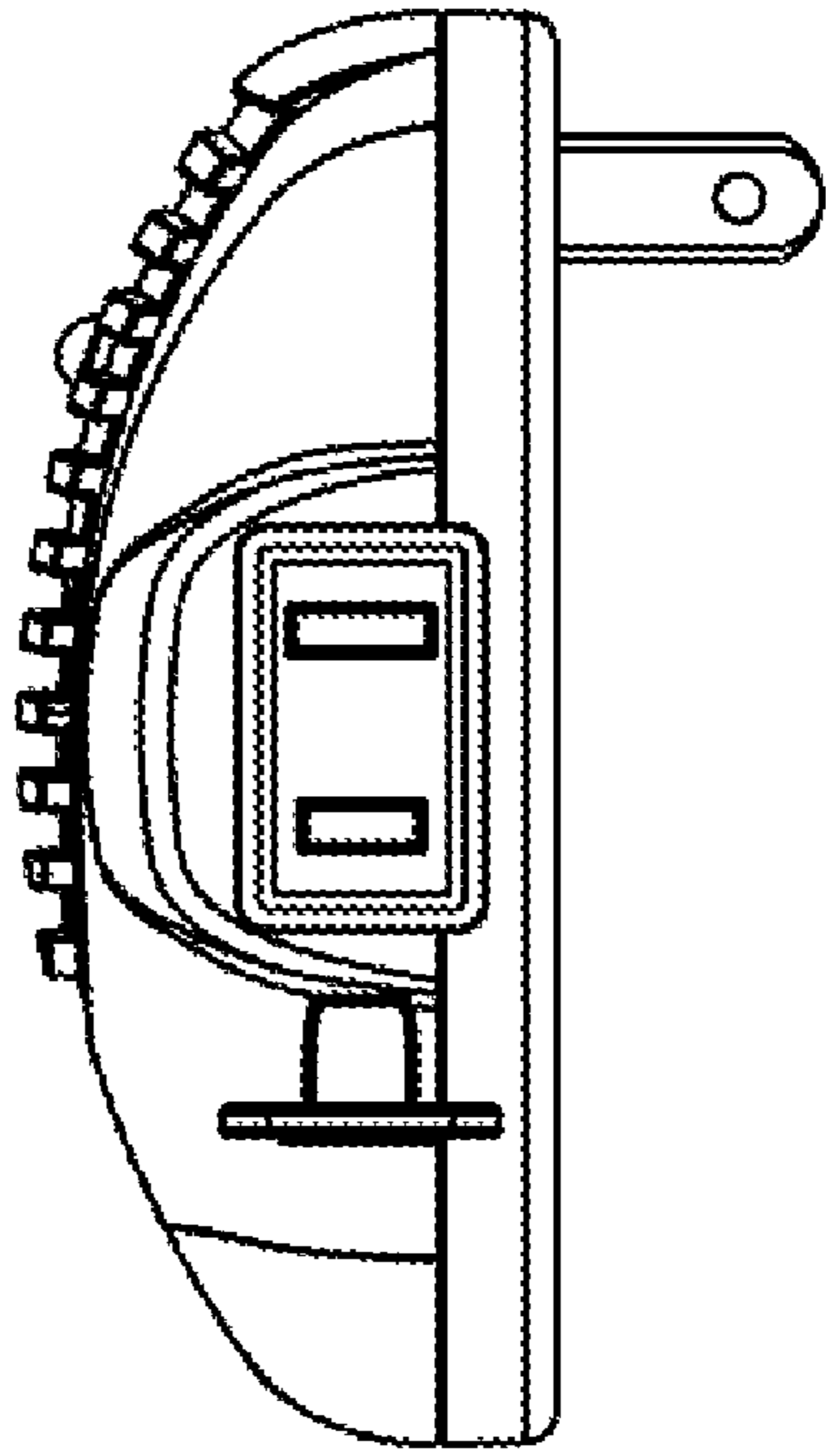


FIG. 3

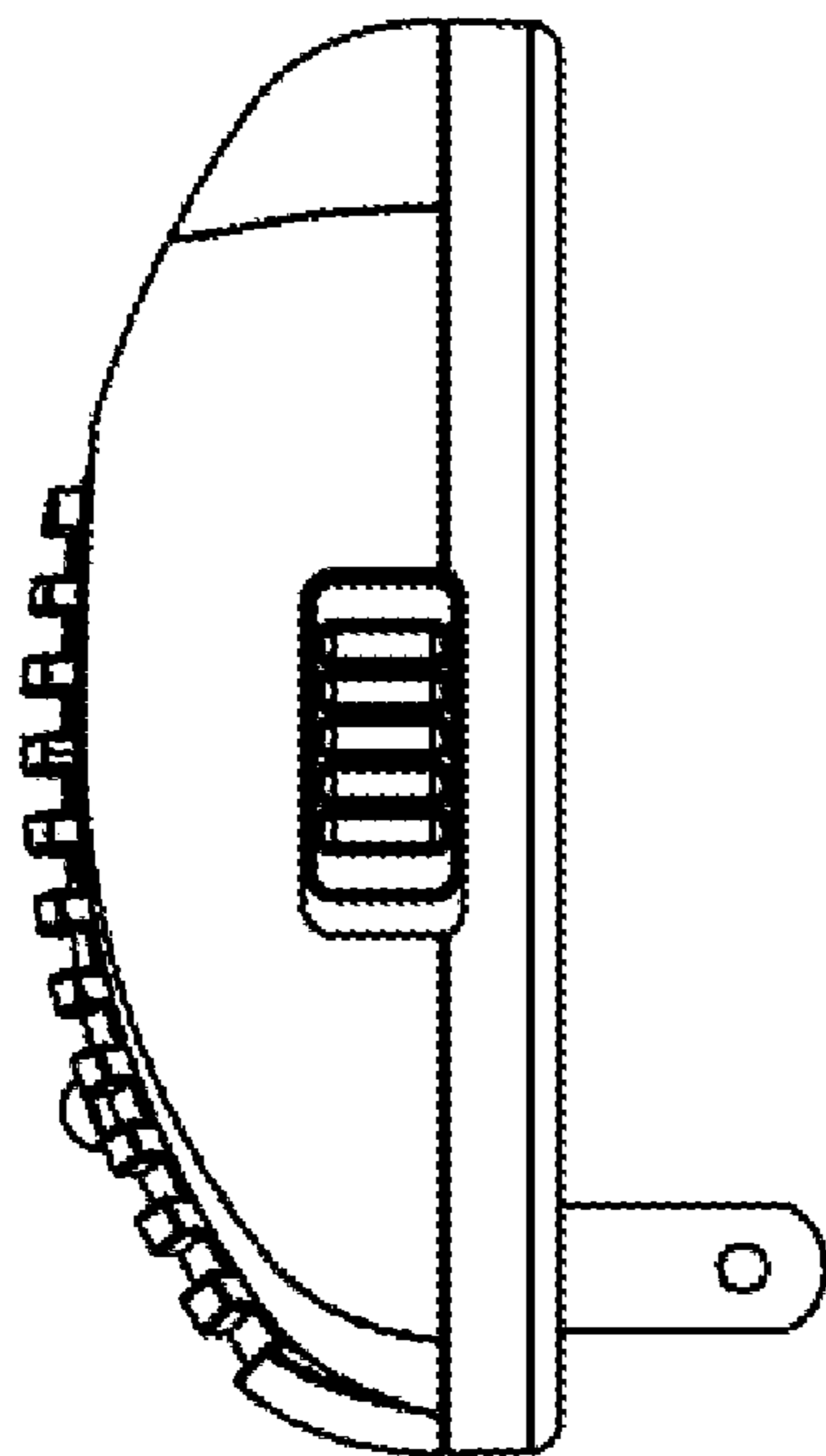


FIG. 4

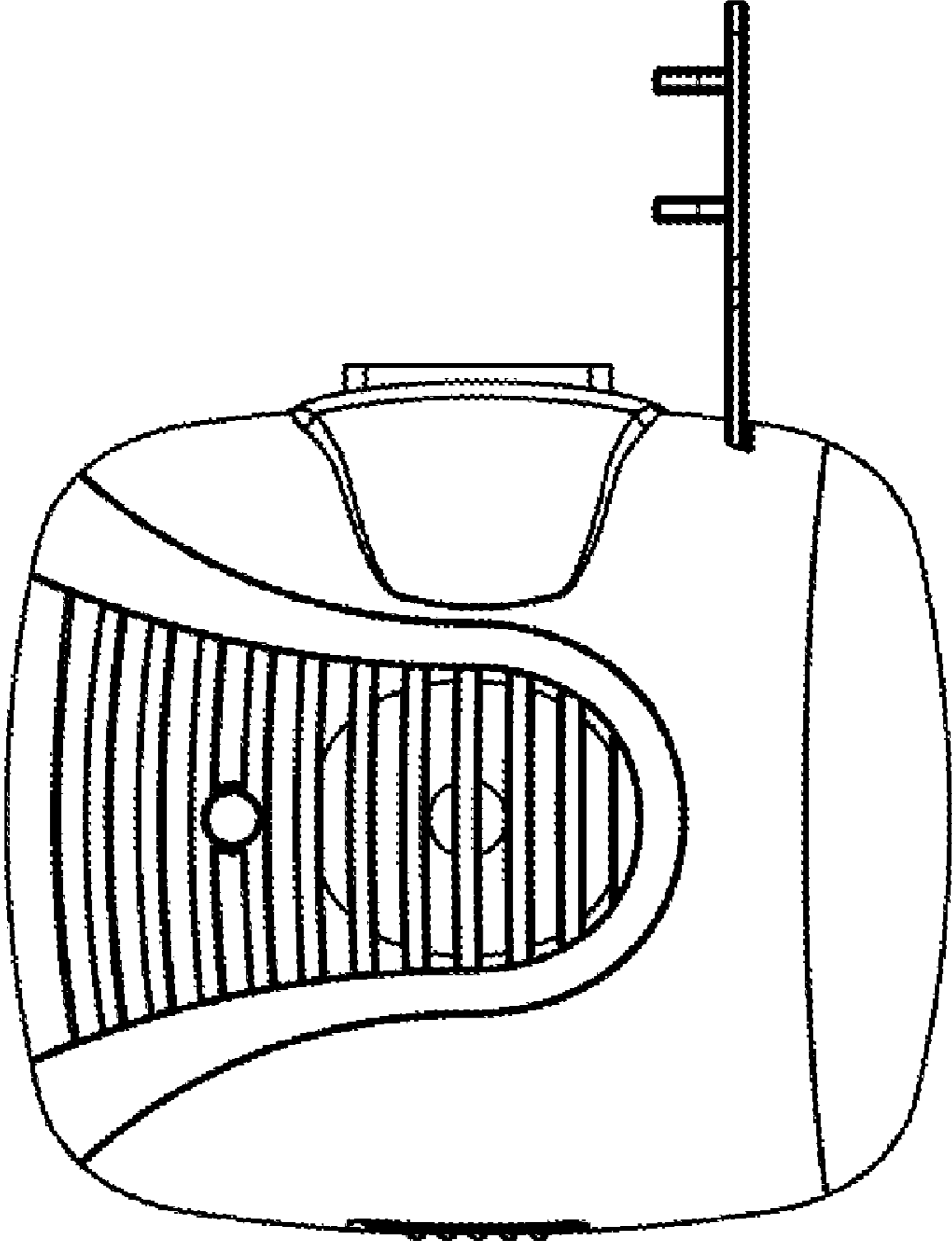


FIG. 5

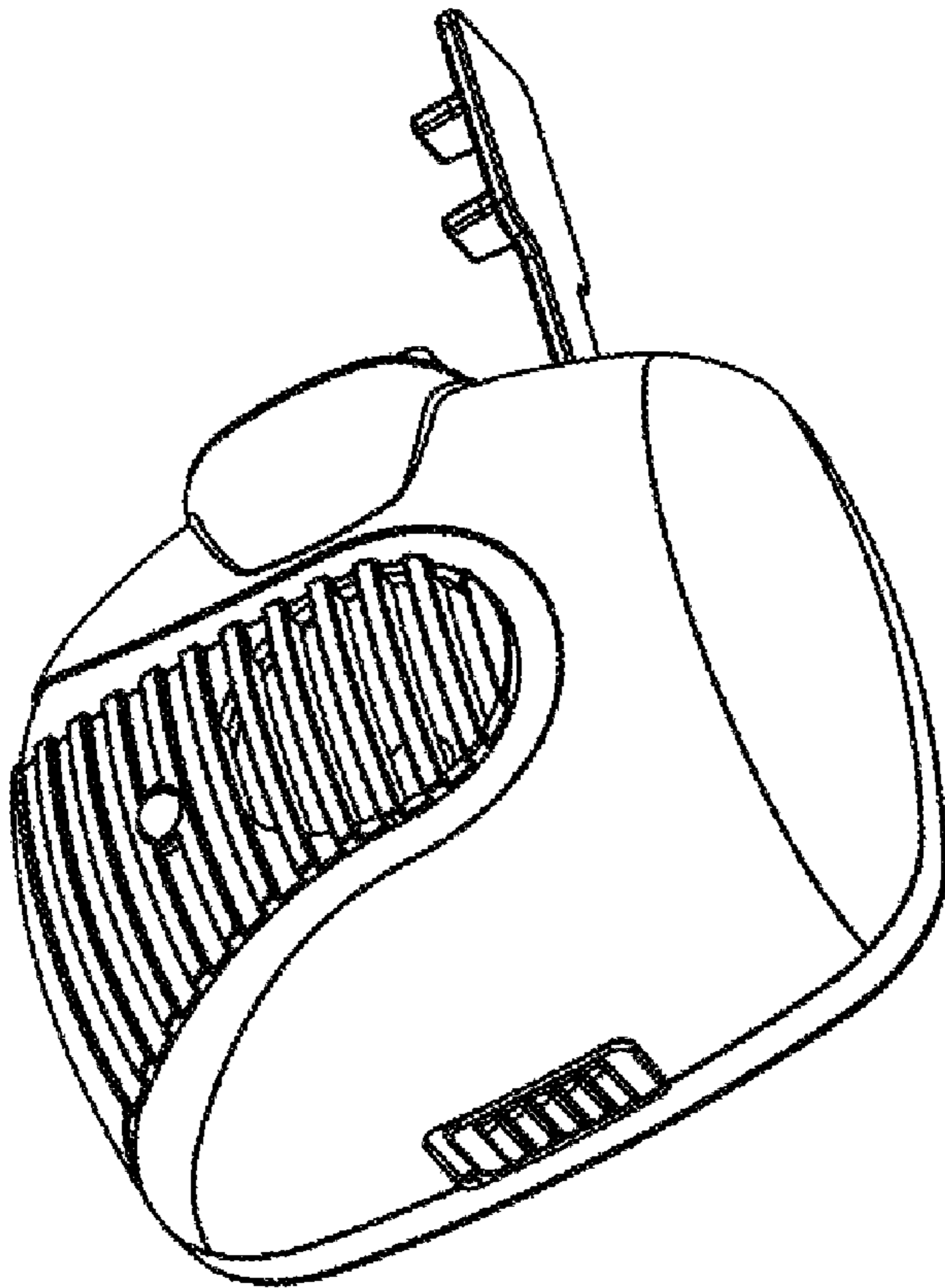


FIG. 6

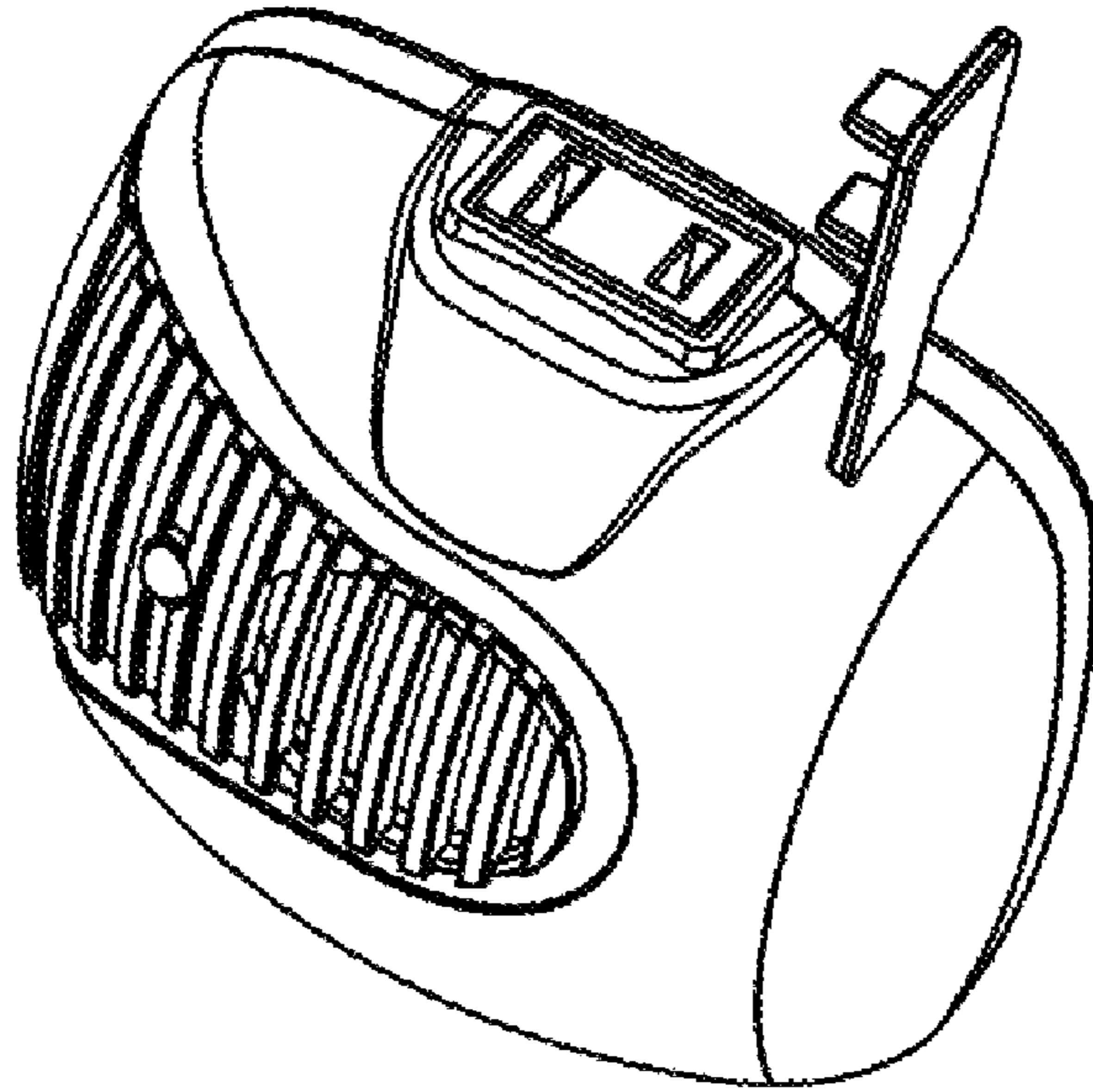


FIG. 7