



US00D639465S

(12) **United States Design Patent**
Abernethy et al.

(10) **Patent No.:** **US D639,465 S**

(45) **Date of Patent:** **** Jun. 7, 2011**

(54) **LIGHTING DEVICE**

(75) Inventors: **Todd B. Abernethy**, Skaneateles, NY
(US); **Donwoong Kang**, Camillus, NY
(US); **Scott W. Osiecki**, Skaneateles, NY
(US)

(73) Assignee: **Eveready Battery Company, Inc.**, St.
Louis, MO (US)

(**) Term: **14 Years**

(21) Appl. No.: **29/355,421**

(22) Filed: **Feb. 8, 2010**

(51) **LOC (9) Cl.** **26-02**

(52) **U.S. Cl.** **D26/24; D26/37**

(58) **Field of Classification Search** D26/24,
D26/26, 37, 46, 72, 85, 87, 88, 89, 93, 104,
D26/113, 118, 1, 2, 3, 28, 38, 60; D10/111,
D10/114; D23/366, 367, 368; D13/107,
D13/108, 180, 182; 362/640, 641, 642, 643,
362/644, 652, 653, 655, 657, 249.02, 311.02,
362/800, 806, 555, 567, 116, 122, 123, 145,
362/147, 157, 183, 194, 195, 200

See application file for complete search history.

(56) **References Cited**

U.S. PATENT DOCUMENTS

D312,136 S * 11/1990 Miletich et al. D26/24
D422,731 S * 4/2000 Parsons et al. D26/46
D443,370 S * 6/2001 Yu D26/37

D467,672 S * 12/2002 Galli D26/37
D498,857 S * 11/2004 Smith et al. D26/26
D501,781 S * 2/2005 Galli D8/99
7,186,001 B1 * 3/2007 Parsons 362/200
D574,527 S * 8/2008 Squires et al. D26/37
D575,859 S * 8/2008 Scimone D23/366
D616,125 S * 5/2010 Kang et al. D26/37
D619,283 S * 7/2010 Galli D26/46
D624,222 S * 9/2010 Poon D26/46
D626,256 S * 10/2010 Richter D26/1

* cited by examiner

Primary Examiner — Angela J Lee

(74) *Attorney, Agent, or Firm* — Michael C. Pophal

(57) **CLAIM**

We claim the ornamental design for a lighting device, as shown and described.

DESCRIPTION

FIG. 1 is a front perspective view of the lighting device.

FIG. 2 is a rear perspective view of the lighting device.

FIG. 3 is a front view of the lighting device.

FIG. 4 is a rear view of the lighting device.

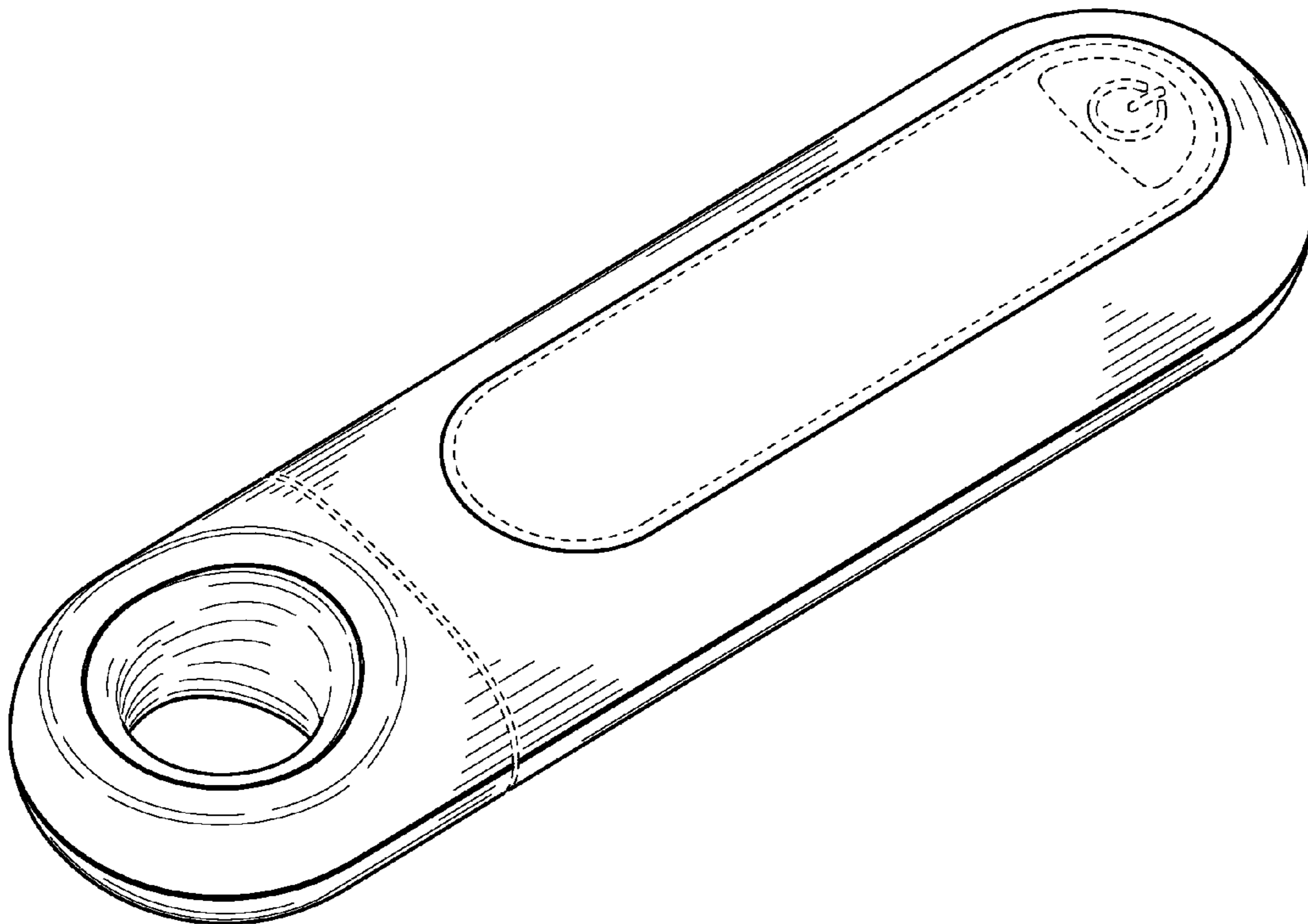
FIG. 5 is a left side view of the lighting device. The right side view of the lighting device is a mirror image of the left side view.

FIG. 6 is a top view of the lighting device; and,

FIG. 7 is a bottom view of the lighting device.

The portions of the lighting device shown in broken lines form no part of the claimed design.

1 Claim, 3 Drawing Sheets



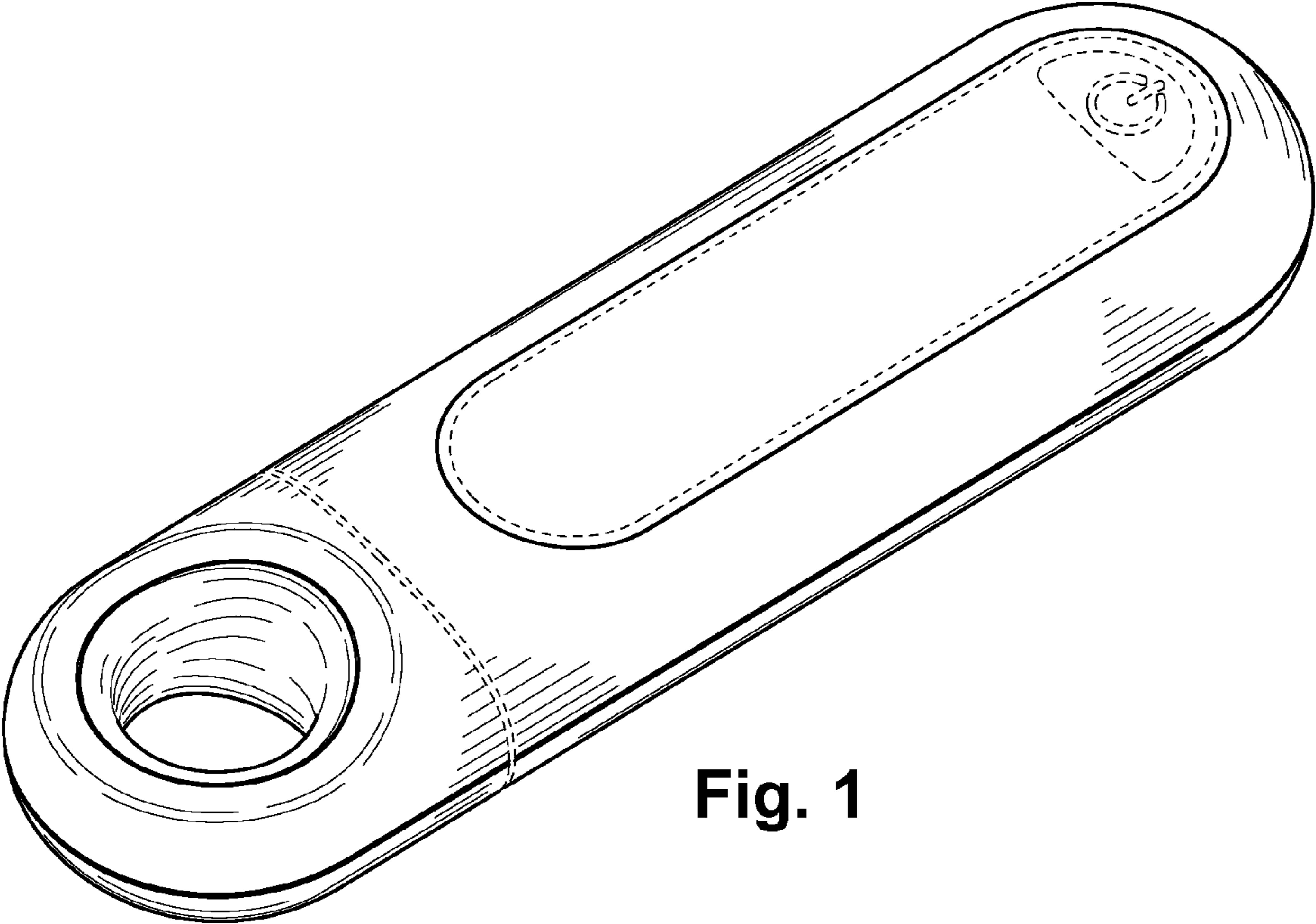


Fig. 1

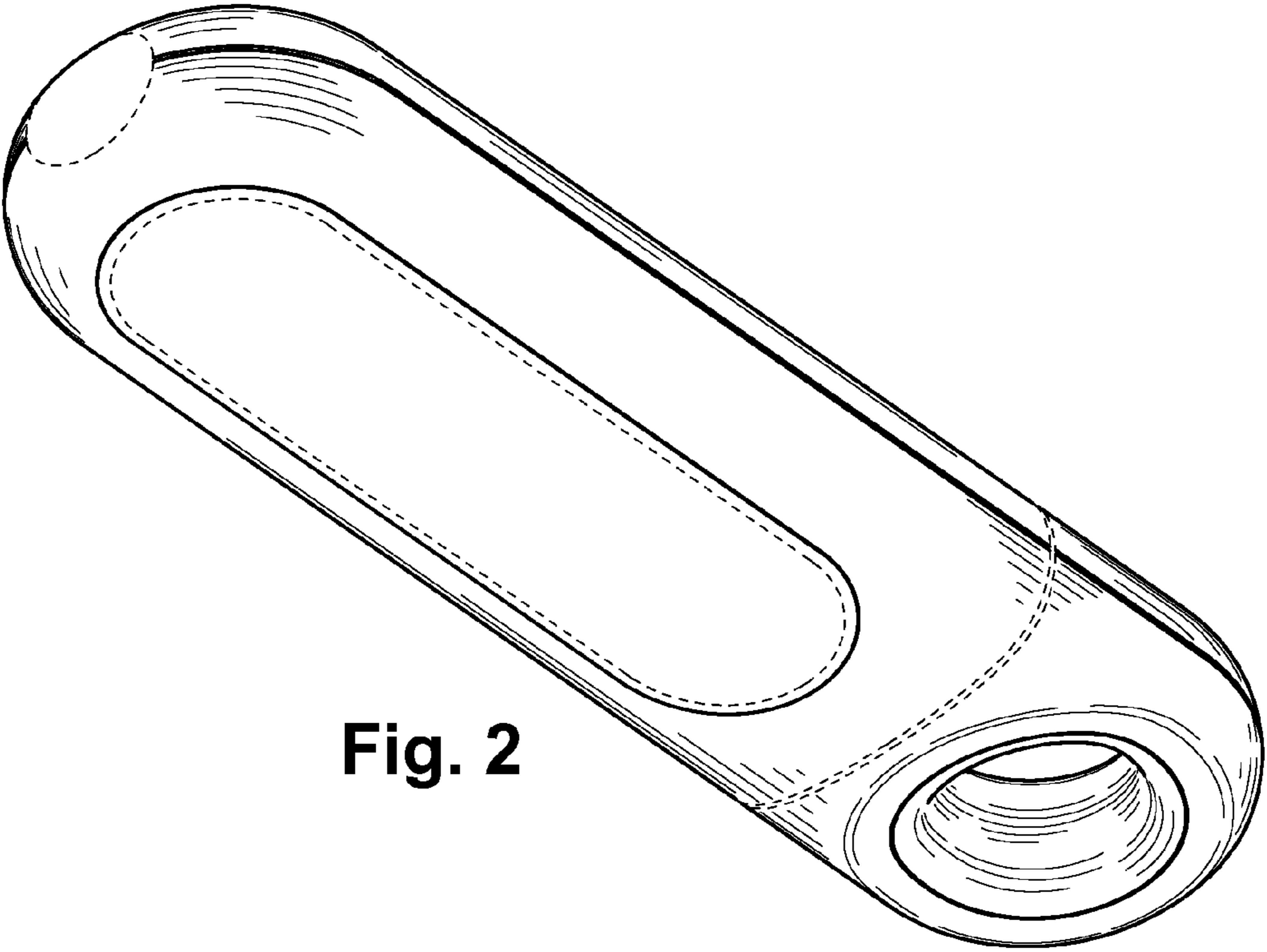


Fig. 2

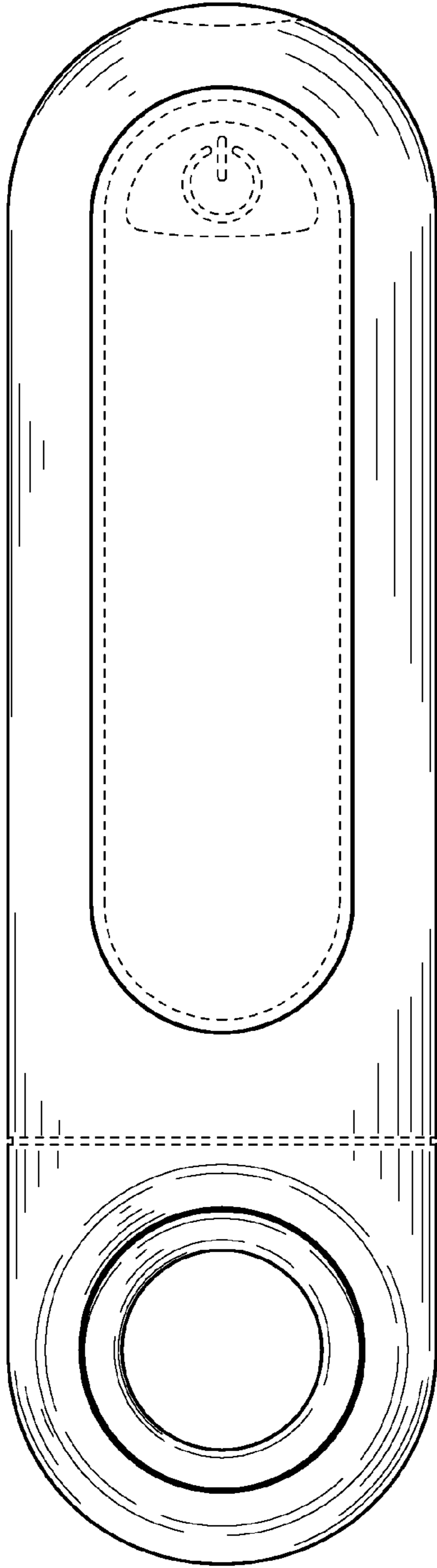


Fig. 3

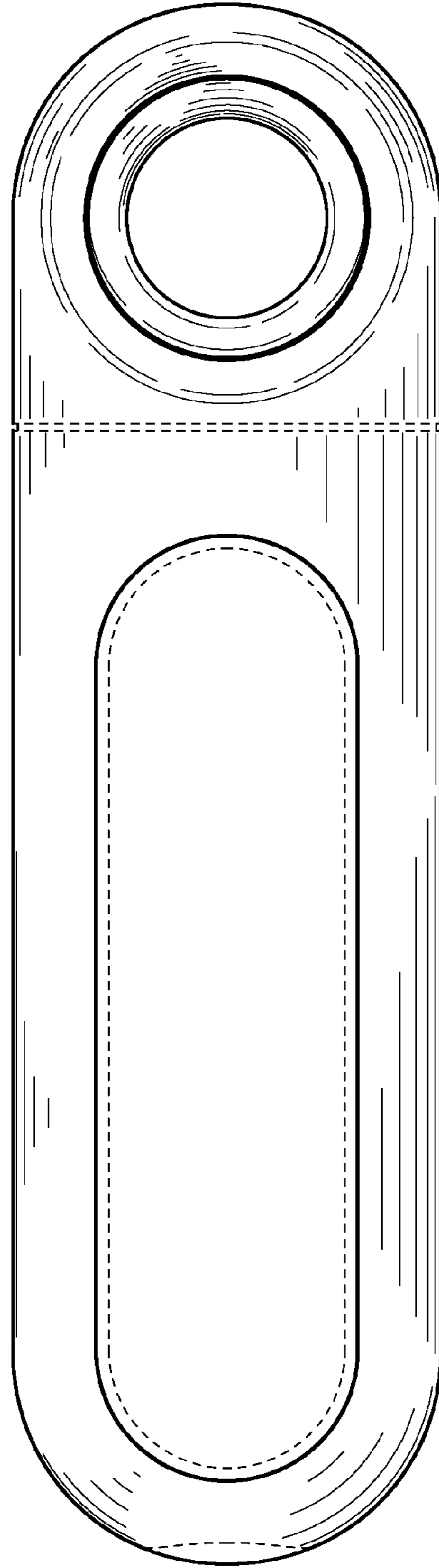


Fig. 4

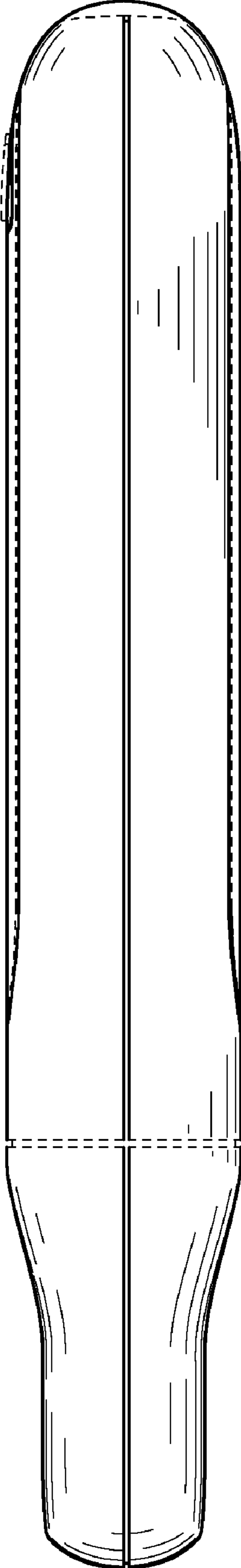


Fig. 5

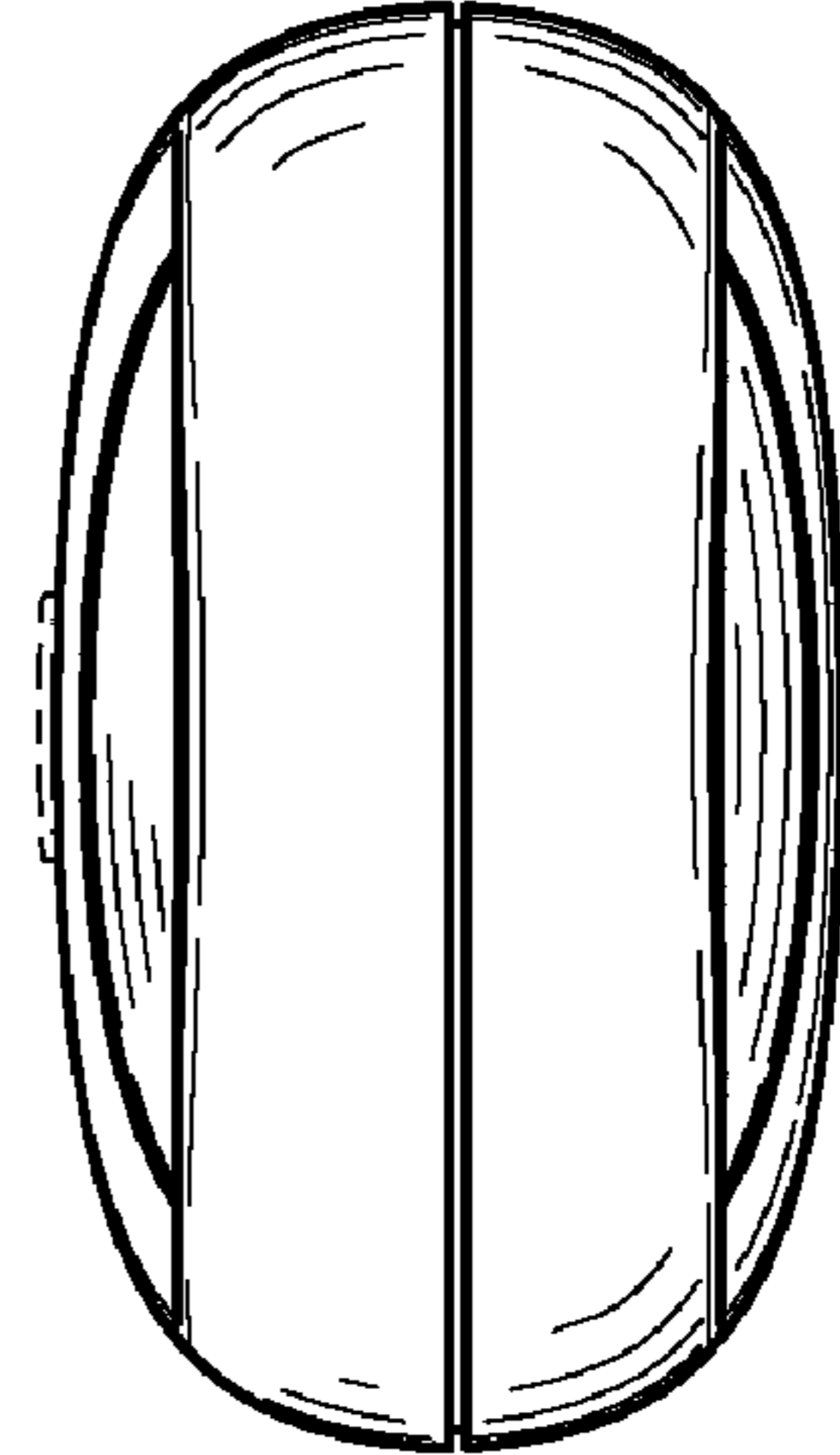


Fig. 7

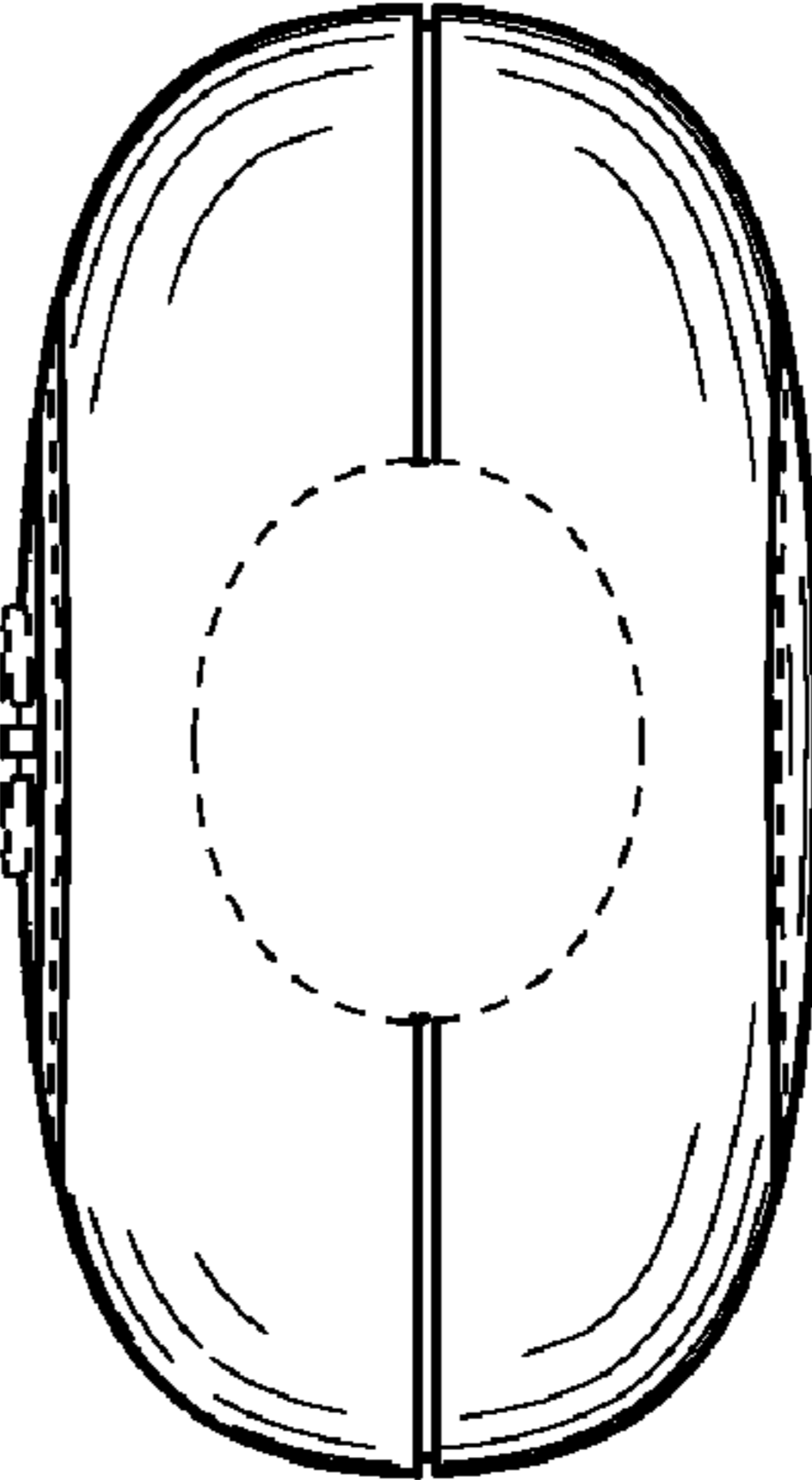


Fig. 6