



US00D639457S

(12) **United States Design Patent**
Naaman et al.

(10) **Patent No.:** **US D639,457 S**
(45) **Date of Patent:** **** Jun. 7, 2011**

(54) **PROTECTIVE SHIELD FOR A SUPPORT COLUMN**

(75) Inventors: **Eric Naaman**, Montreal (CA); **Robert Bouchard**, Terrebonne (CA); **Guillaume Marsan**, St-Joseph-du-lac (CA)

(73) Assignee: **Damotech, Inc.**, Boisbriand, Quebec (CA)

(**) Term: **14 Years**

(21) Appl. No.: **29/376,411**

(22) Filed: **Oct. 6, 2010**

(51) **LOC (9) Cl.** **25-01**

(52) **U.S. Cl.** **D25/126**

(58) **Field of Classification Search** D25/126,
D25/38; 405/216, 257, 302.6; 52/834, 835,
52/831, 651.07, 651.02

See application file for complete search history.

(56) **References Cited**

U.S. PATENT DOCUMENTS

5,987,845 A * 11/1999 Laronde 52/845
6,009,683 A * 1/2000 Grewe et al. 52/834
D583,081 S * 12/2008 Ryan D25/126
D583,082 S * 12/2008 Baxter D25/126
D589,632 S * 3/2009 Ryan D25/126
2007/0256388 A1 * 11/2007 Ianello et al. 52/651.07

OTHER PUBLICATIONS

Google Images for Column Protectors: <http://google.com/images?hl=en&q=column+protector&um=1&ie=...>; Oct. 7, 2010.

Google Search: http://www.google.com/#hl=en&expIds=27744,27753&sugexp=Idymis&xhr=t&q=column+protectors&cp=9&pf=p&scient=psy&site=&source=hp&aq=0&aql=&oq=column+pr&gs_rfa.

* cited by examiner

Primary Examiner — Doris Clark

(74) *Attorney, Agent, or Firm* — Barry N. Young

(57) **CLAIM**

The ornamental design for a protective shield for a support column, as shown and described.

DESCRIPTION

FIG. 1 is a left front perspective view, in reduced scale, of a protective shield for a support column of our design, showing a support column in dashed lines to illustrate the environment and forming no part of the claimed design;

FIG. 2 is a left front perspective view thereof;

FIG. 3 is a front elevation view thereof, the rear elevation view being a mirror image thereof;

FIG. 4 is a right side elevation view thereof, the left side elevation view being a mirror image thereof;

FIG. 5 is a top plan view thereof; and,

FIG. 6 is a bottom plan view thereof.

The broken lines are for illustrative purposes only and form no part of the claimed design.

1 Claim, 5 Drawing Sheets

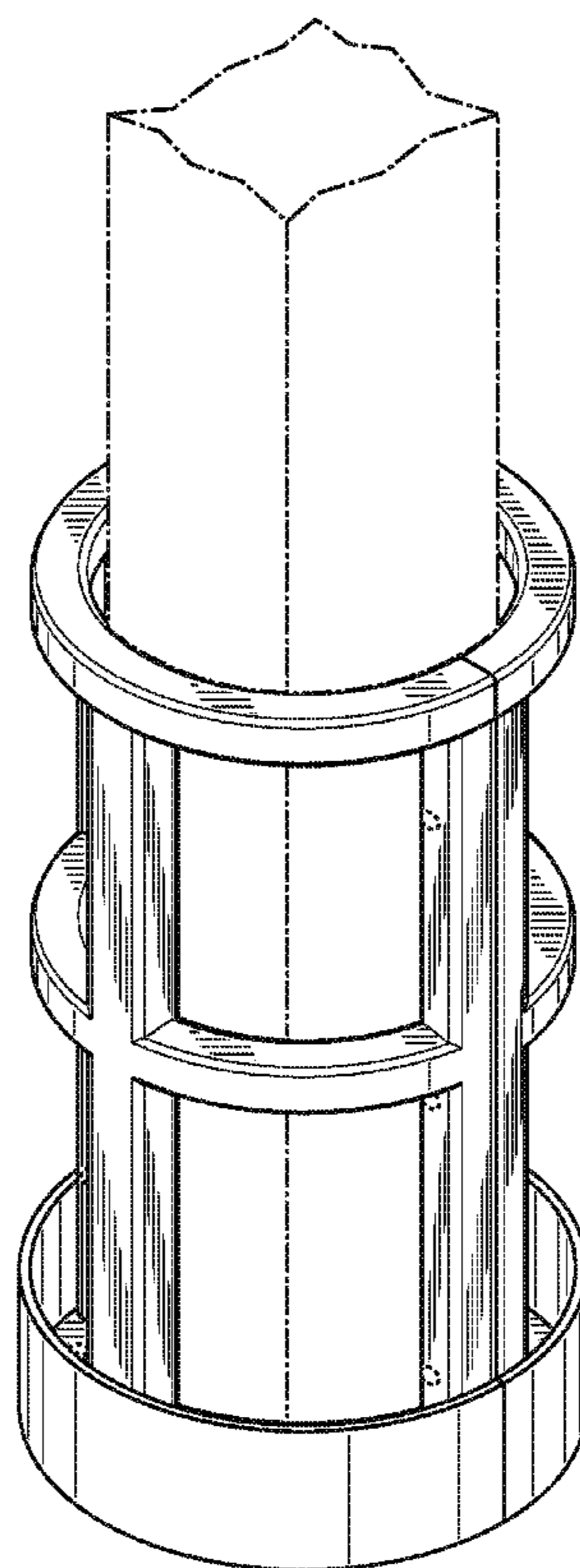
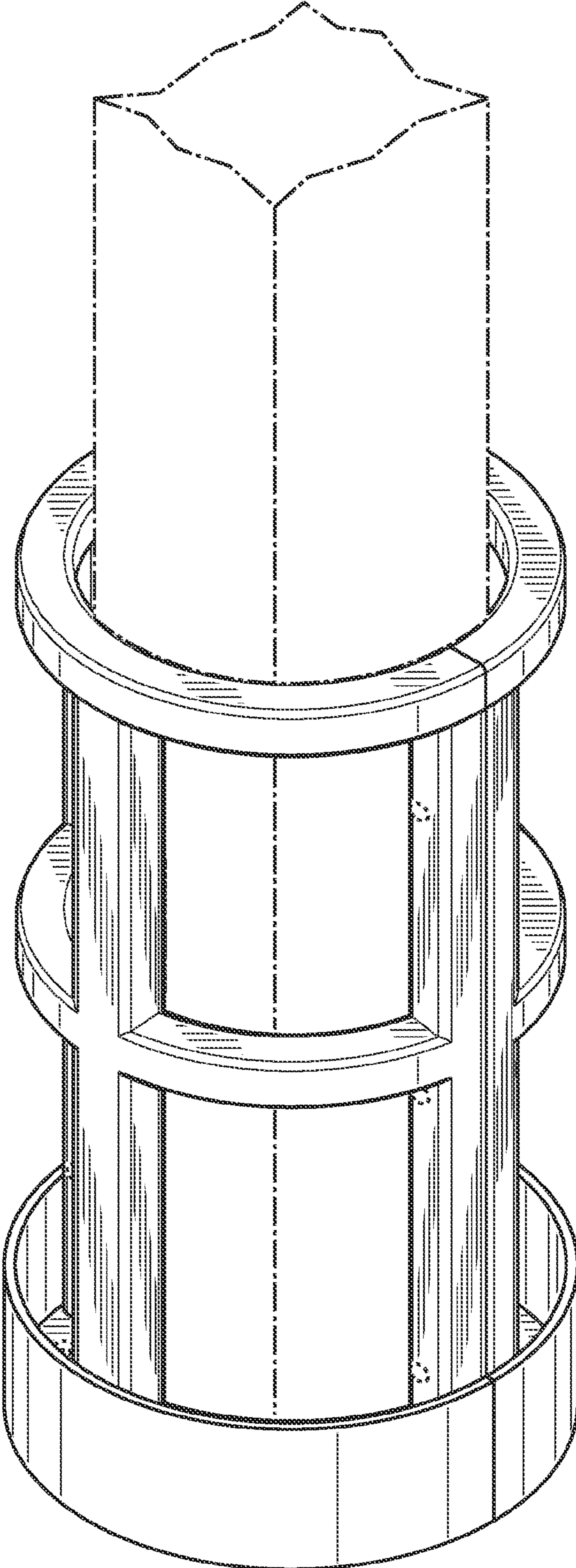


FIG. 1



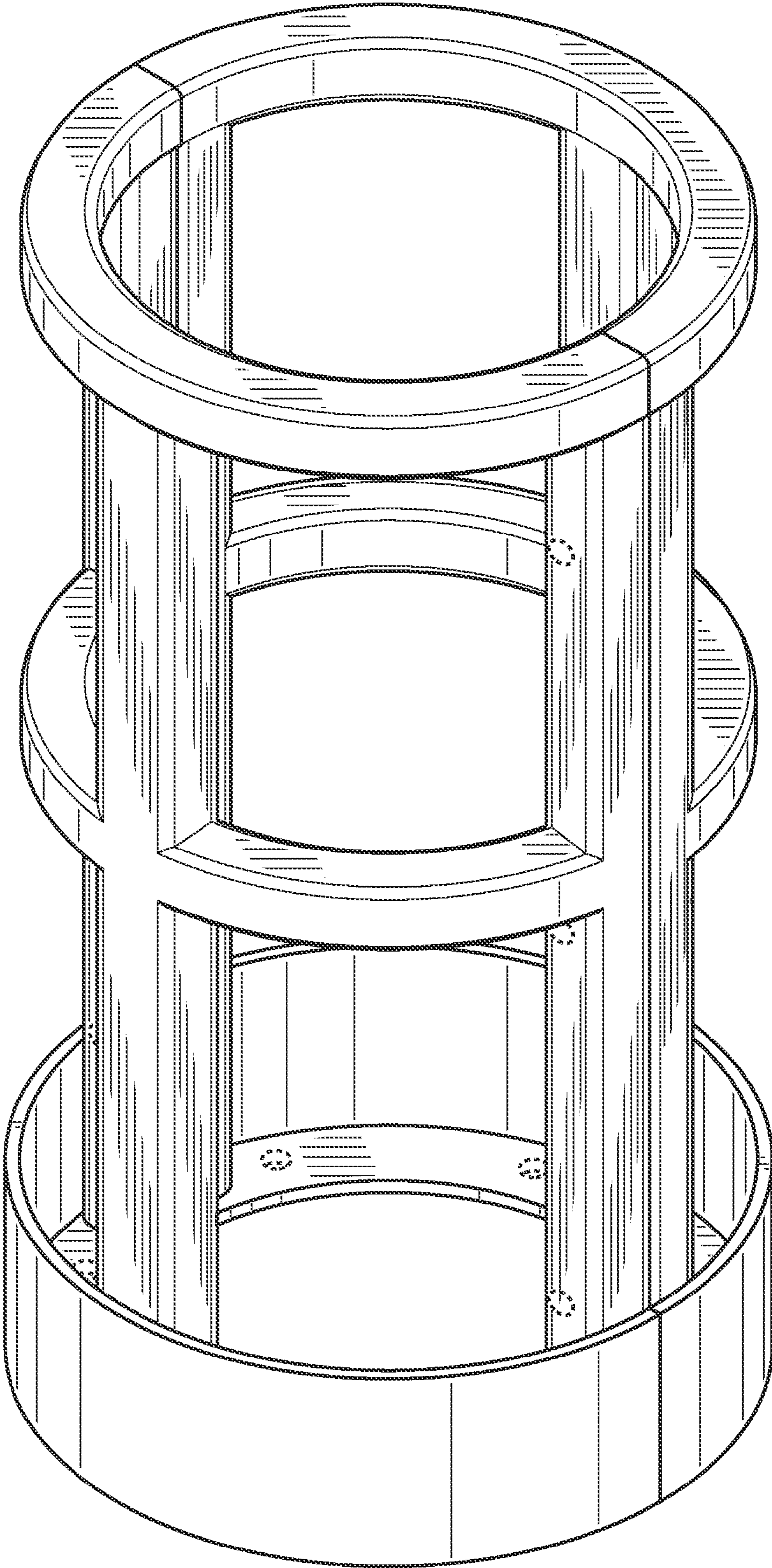


FIG. 2

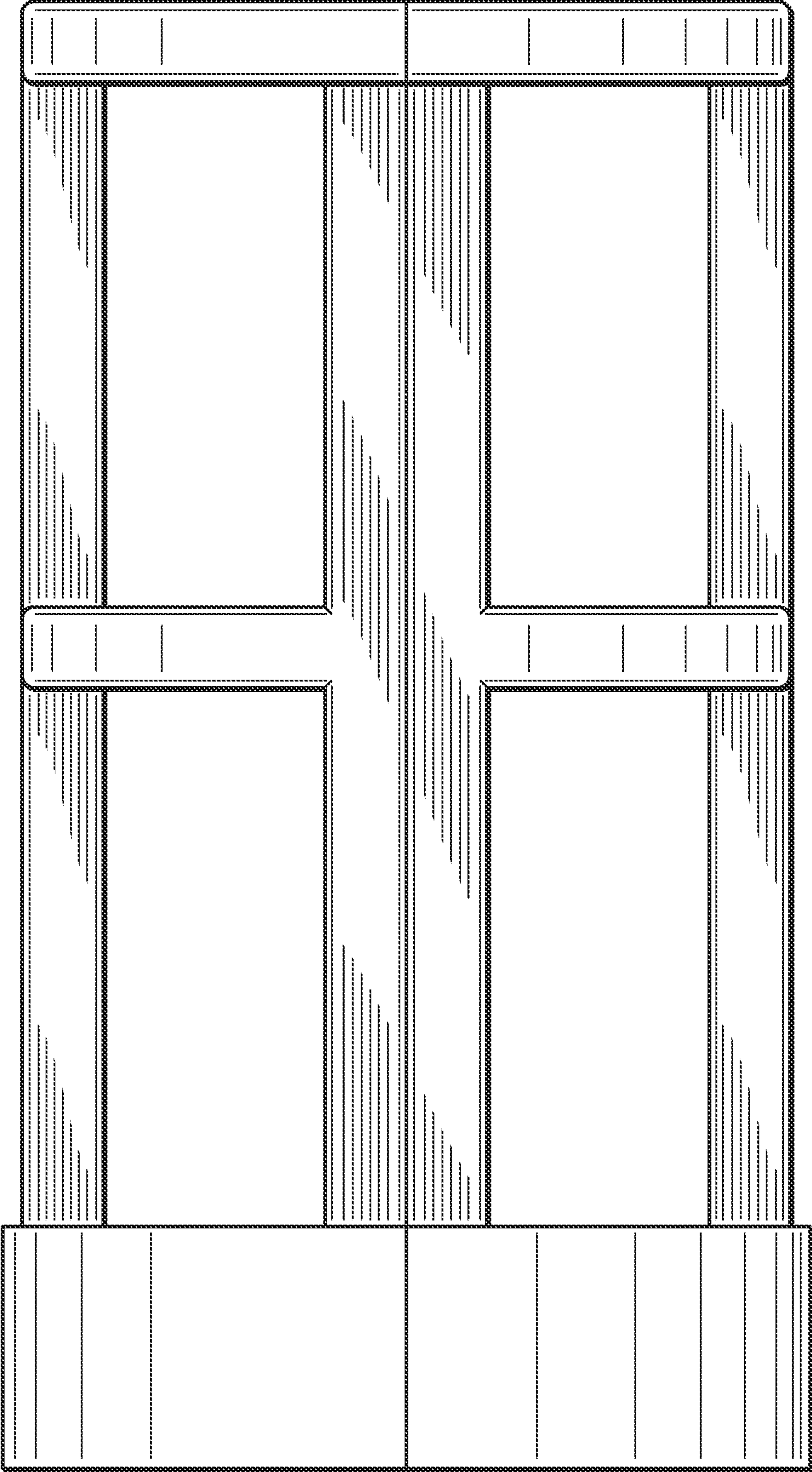


FIG. 3

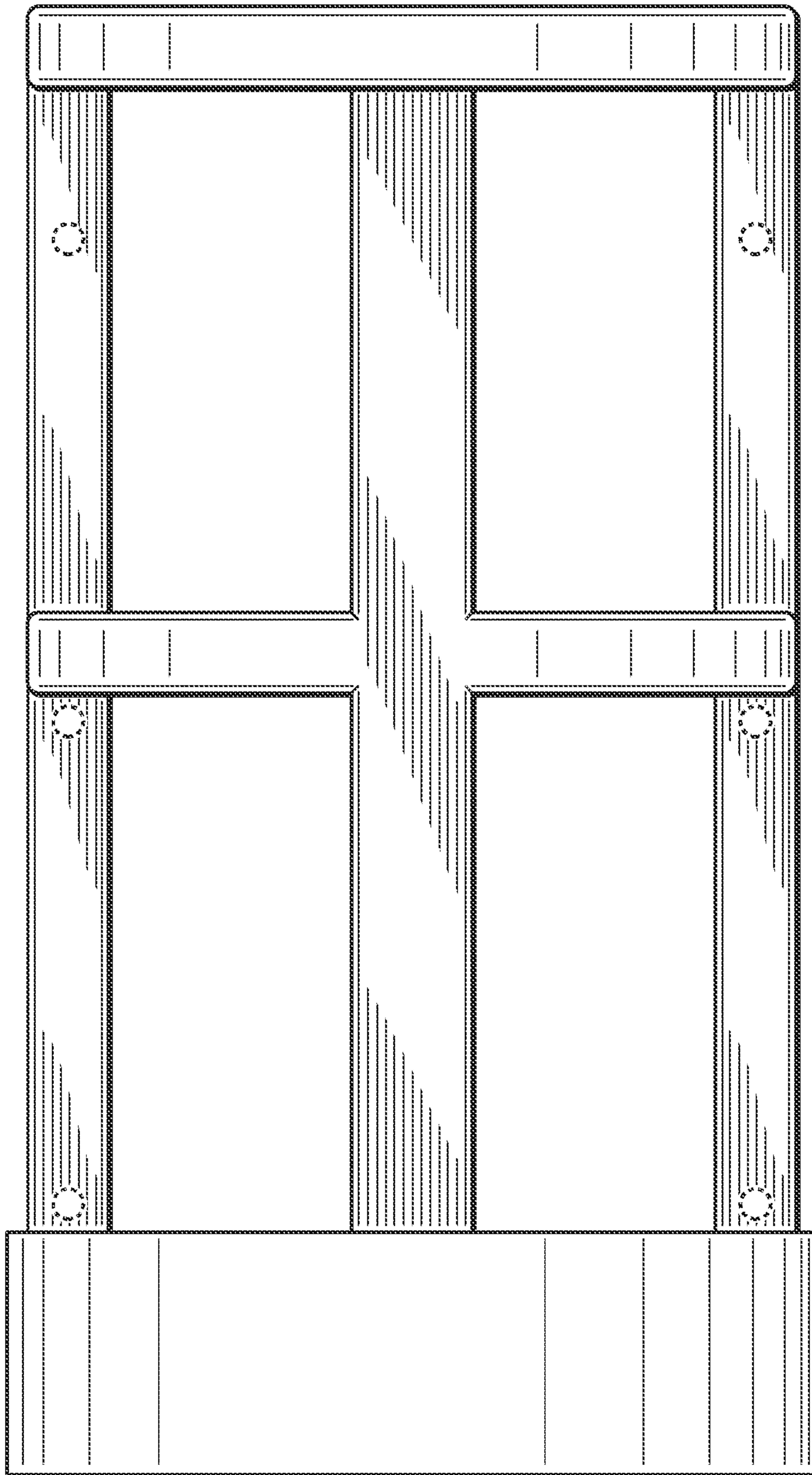


FIG. 4

FIG. 5

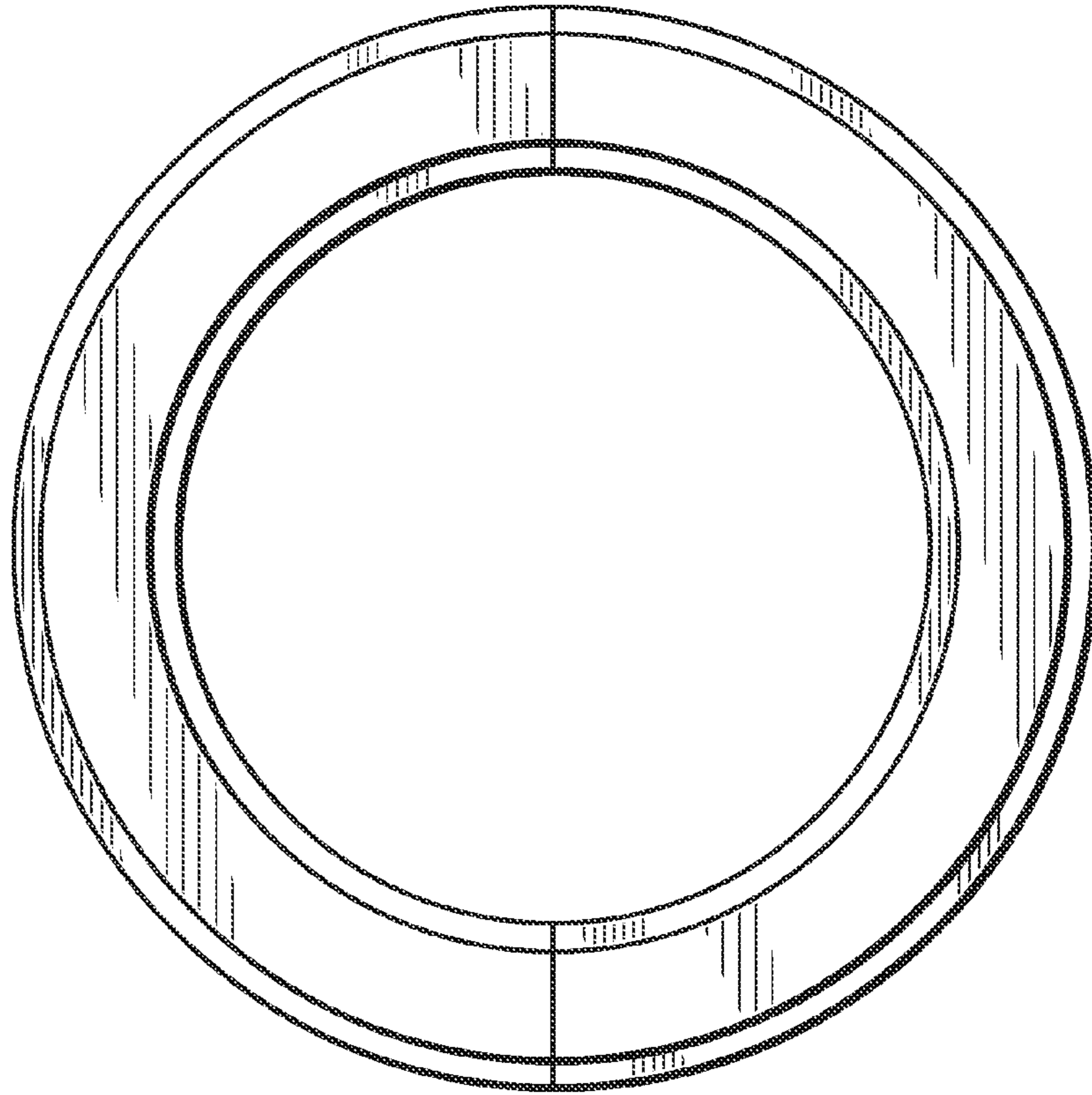


FIG. 6

