



US00D639446S

(12) **United States Design Patent**
Smith

(10) **Patent No.:** **US D639,446 S**

(45) **Date of Patent:** **** Jun. 7, 2011**

(54) **SALIVA COLLECTOR**

(76) Inventor: **Jack V. Smith**, Arden, NC (US)

(**) Term: **14 Years**

(21) Appl. No.: **29/380,097**

(22) Filed: **Nov. 30, 2010**

(51) **LOC (9) Cl.** **24-01**

(52) **U.S. Cl.** **D24/224**

(58) **Field of Classification Search** D24/216–226,
D24/231, 232, 121; D34/2; 422/500, 547,
422/549; 435/287.1, 288.1

See application file for complete search history.

| | | | |
|------------|----------|----------------------|---------|
| D435,906 S | 1/2001 | Wilkinson et al. | |
| D448,086 S | 9/2001 | Conway | |
| D464,473 S | 10/2002 | Nguyen | |
| D477,669 S | 7/2003 | Zhou et al. | |
| D482,793 S | 11/2003 | Oyama et al. | |
| D485,885 S | 1/2004 | Bonelli et al. | |
| D507,351 S | 7/2005 | Birnboim | |
| D510,769 S | 10/2005 | Bublewitz et al. | |
| D514,705 S | 2/2006 | Bublewitz et al. | |
| D520,643 S | * 5/2006 | Clarke et al. | D24/216 |
| D539,434 S | 3/2007 | Eden | |
| D544,167 S | 6/2007 | Dukic, Jr. et al. | |
| D559,397 S | * 1/2008 | Eriksson et al. | D24/224 |
| D573,767 S | 7/2008 | Milton et al. | |
| D577,443 S | 9/2008 | Parmer et al. | |
| D580,559 S | 11/2008 | Lee et al. | |
| D599,033 S | 8/2009 | Thissen | |
| D608,455 S | * 1/2010 | Pasmore et al. | D24/224 |
| D610,700 S | 2/2010 | Khoury | |

* cited by examiner

(56) **References Cited**

U.S. PATENT DOCUMENTS

| | | | |
|-------------|-----------|---------------------|-----------|
| D213,292 S | 2/1969 | Arsenault et al. | |
| D246,600 S | * 12/1977 | Kurata | D24/224 |
| D249,708 S | 9/1978 | Smith et al. | |
| D274,146 S | 6/1984 | Sicko | |
| 4,741,346 A | * 5/1988 | Wong et al. | 435/288.1 |
| D302,470 S | 7/1989 | Wong et al. | |
| D304,108 S | 10/1989 | Lange | |
| D307,053 S | 4/1990 | Muller | |
| D312,908 S | 12/1990 | Muchmore | |
| D313,098 S | 12/1990 | Boyd | |
| D326,228 S | 5/1992 | Stratford et al. | |
| D343,937 S | 2/1994 | Wooten et al. | |
| D351,904 S | 10/1994 | Maze | |
| D358,917 S | 5/1995 | Keys | |
| D363,354 S | 10/1995 | Stark et al. | |
| D367,114 S | * 2/1996 | Wilson et al. | D24/224 |
| D382,061 S | 8/1997 | Mathis et al. | |
| D395,517 S | 6/1998 | Treu et al. | |
| D398,119 S | 9/1998 | Corbin et al. | |
| D401,697 S | * 11/1998 | Cloonan et al. | D24/224 |
| D403,079 S | 12/1998 | Pawlak et al. | |
| D420,451 S | 2/2000 | Dubus | |
| D420,776 S | 2/2000 | Lynch et al. | |
| D427,691 S | * 7/2000 | Asselta | D24/224 |
| D430,291 S | 8/2000 | Jansen et al. | |
| D431,299 S | 9/2000 | Lammie | |
| D434,494 S | 11/2000 | Wilkinson et al. | |

Primary Examiner — Chase Nelson

Assistant Examiner — Anhdao Doan

(74) *Attorney, Agent, or Firm* — Michele L. Lawson; Smith & Hopen, P.A.

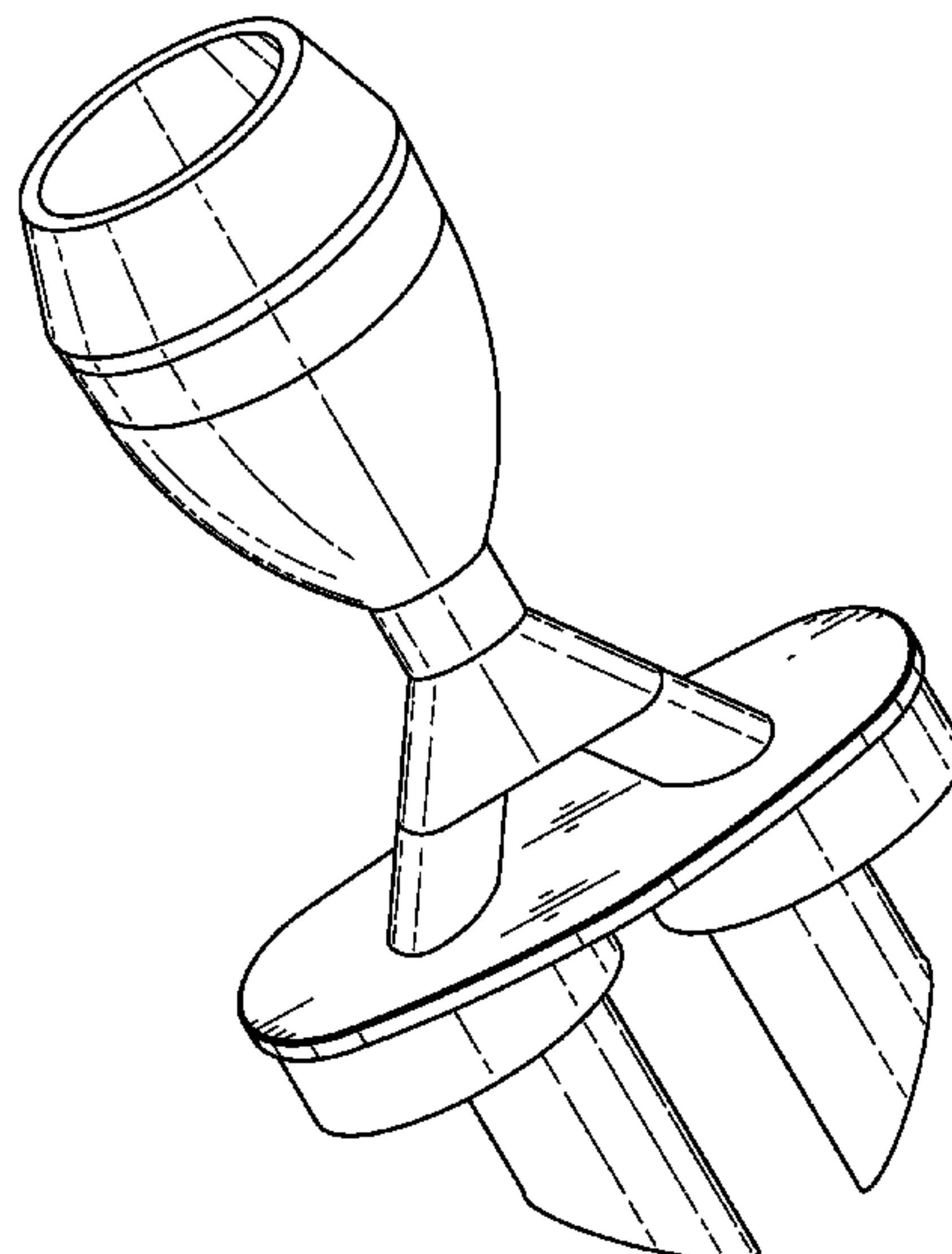
(57) **CLAIM**

The ornamental design for a saliva collector, as shown and described.

DESCRIPTION

FIG. 1 is a perspective view of the saliva collector;
 FIG. 2 is a bottom perspective view thereof;
 FIG. 3 is a front view thereof;
 FIG. 4 is a back view thereof;
 FIG. 5 is a first side view thereof;
 FIG. 6 is a second side view thereof; and,
 FIG. 7 is a top view thereof; and,
 FIG. 8 is a bottom view thereof.
 The broken lines in FIG. 7 are included for the purpose of illustrating a portion of the saliva collector that forms no part of the claimed design.

1 Claim, 7 Drawing Sheets



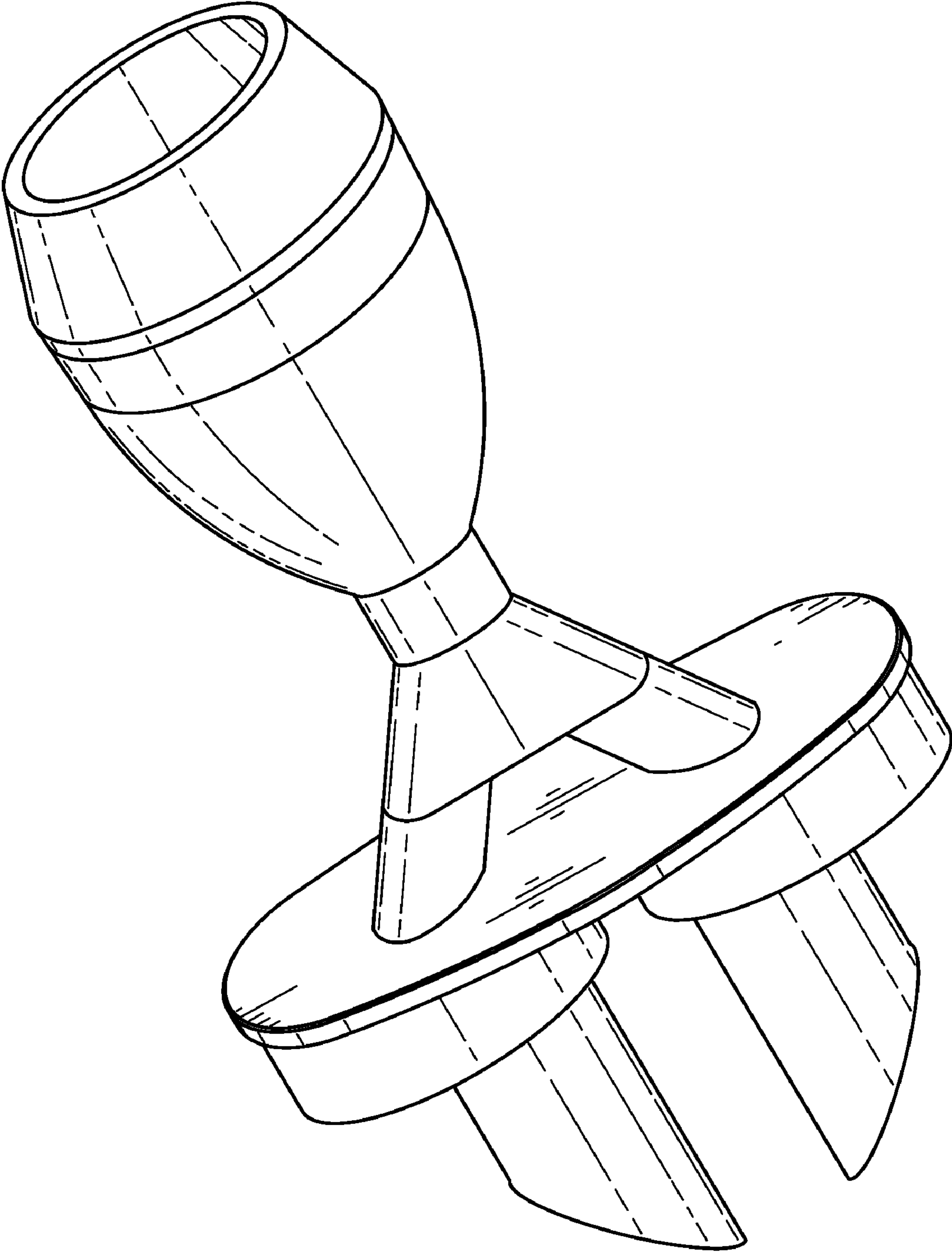


FIG. 1

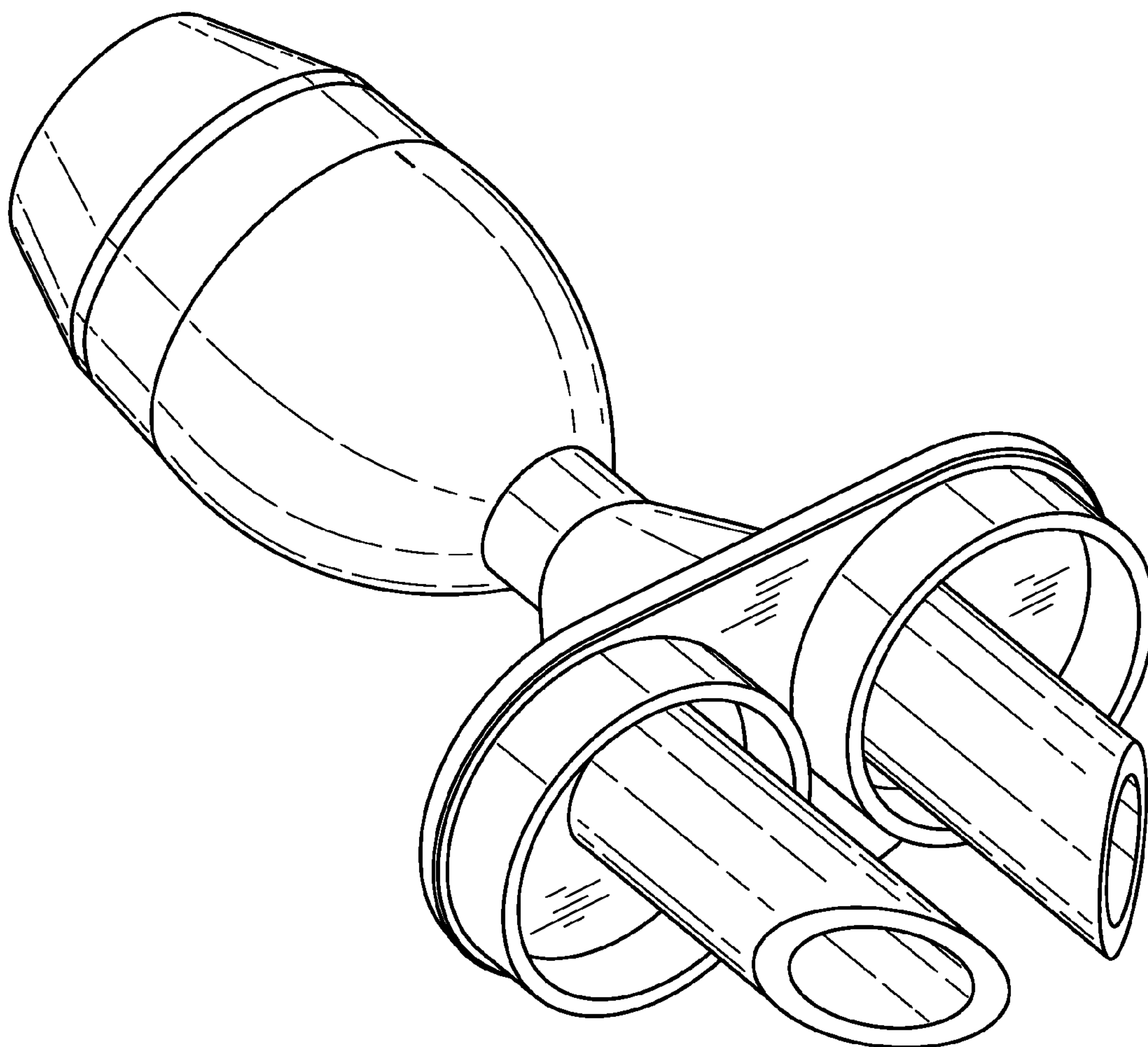


FIG. 2

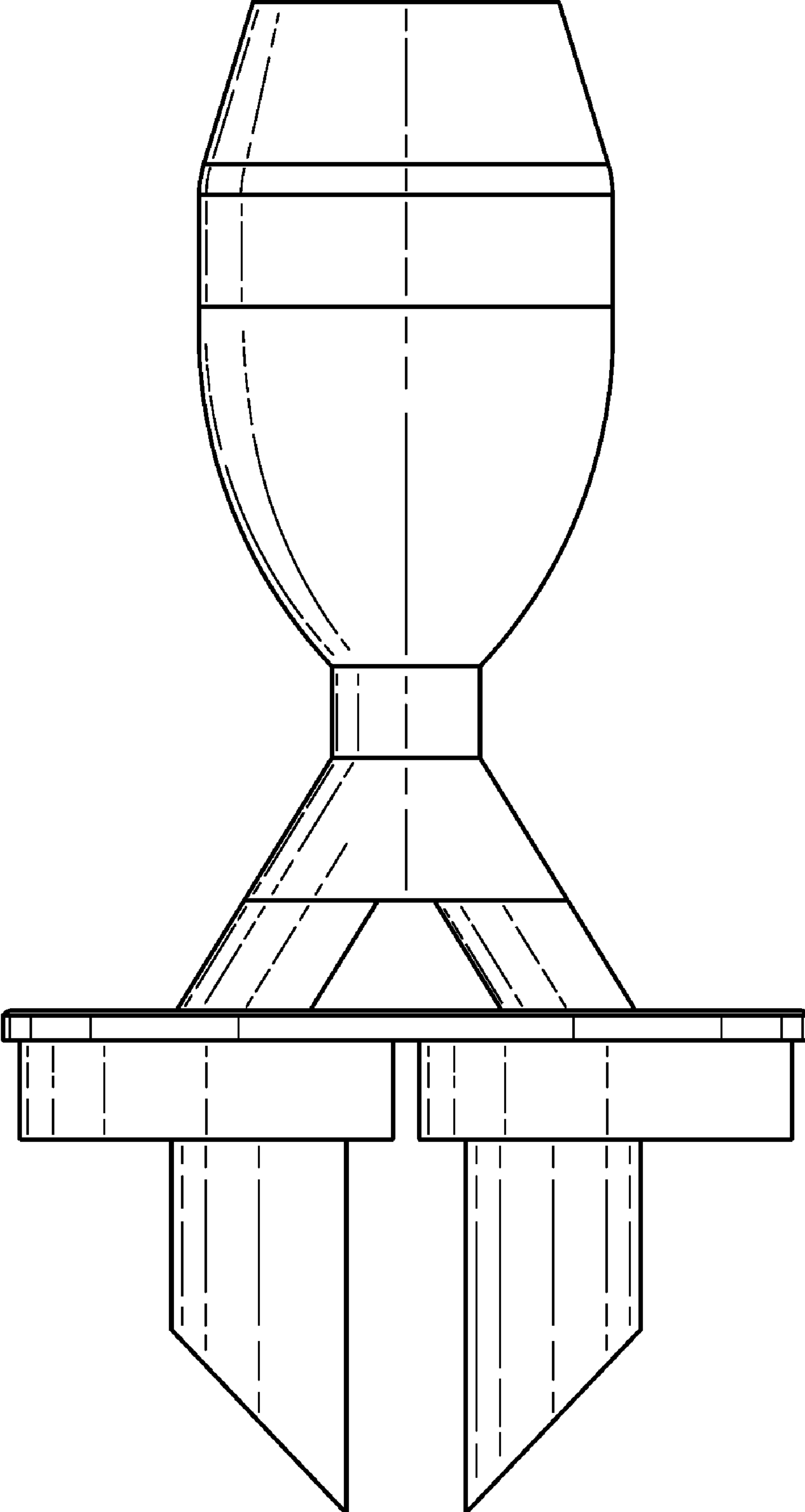


FIG. 3

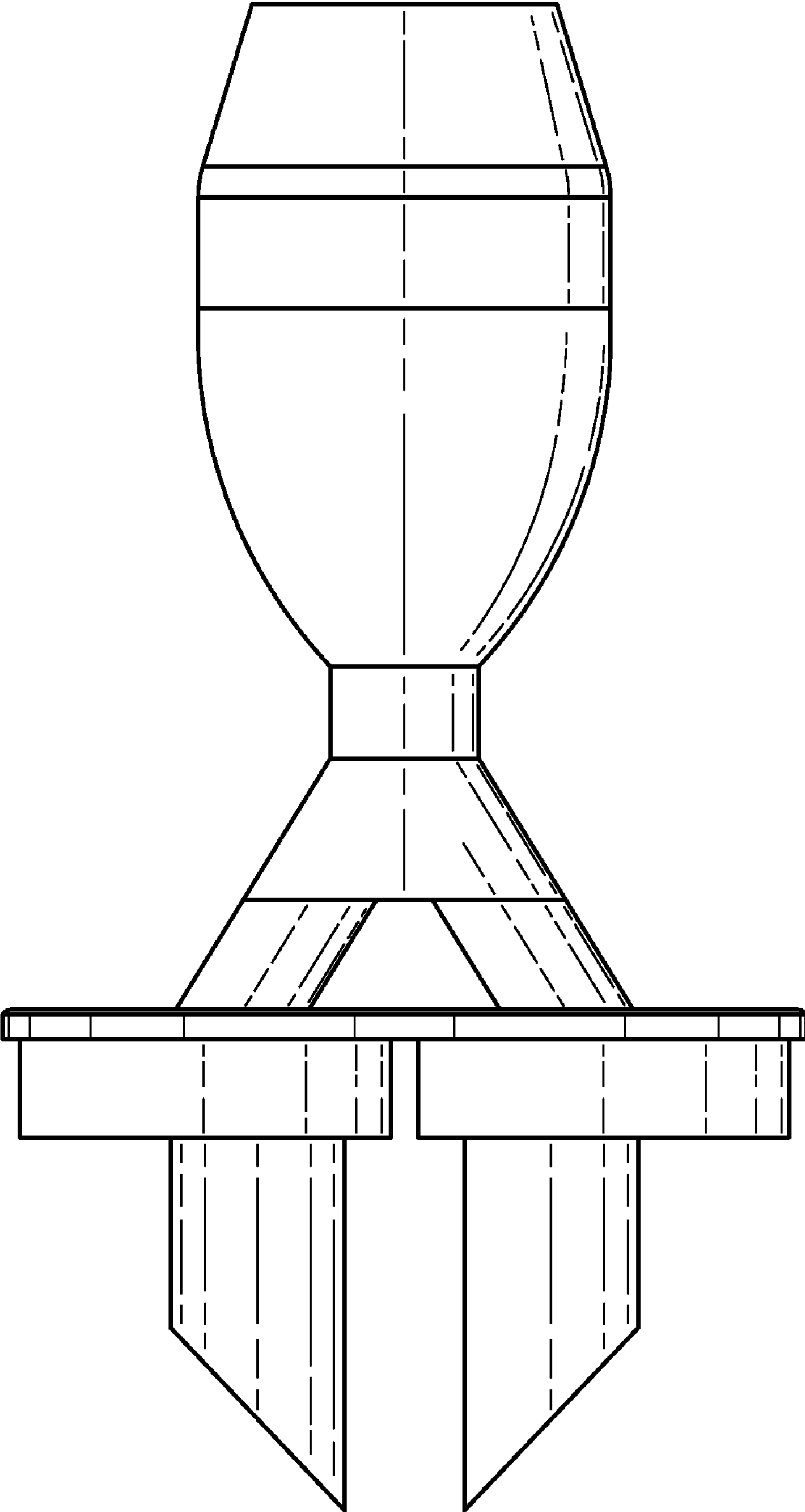


FIG. 4

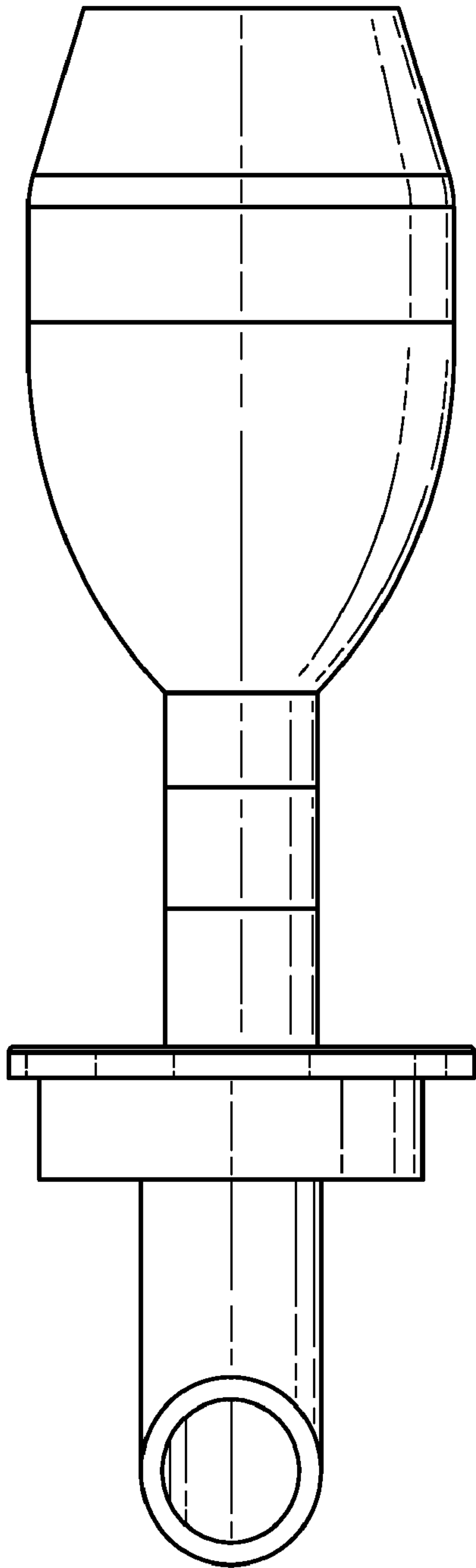


FIG. 5

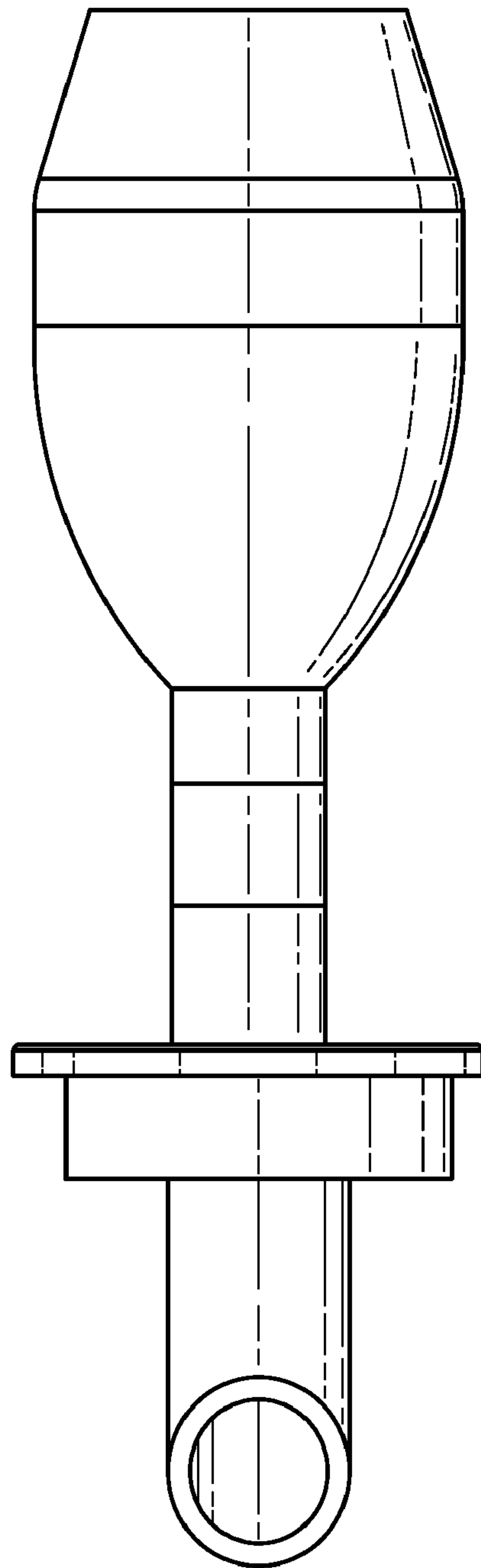


FIG. 6

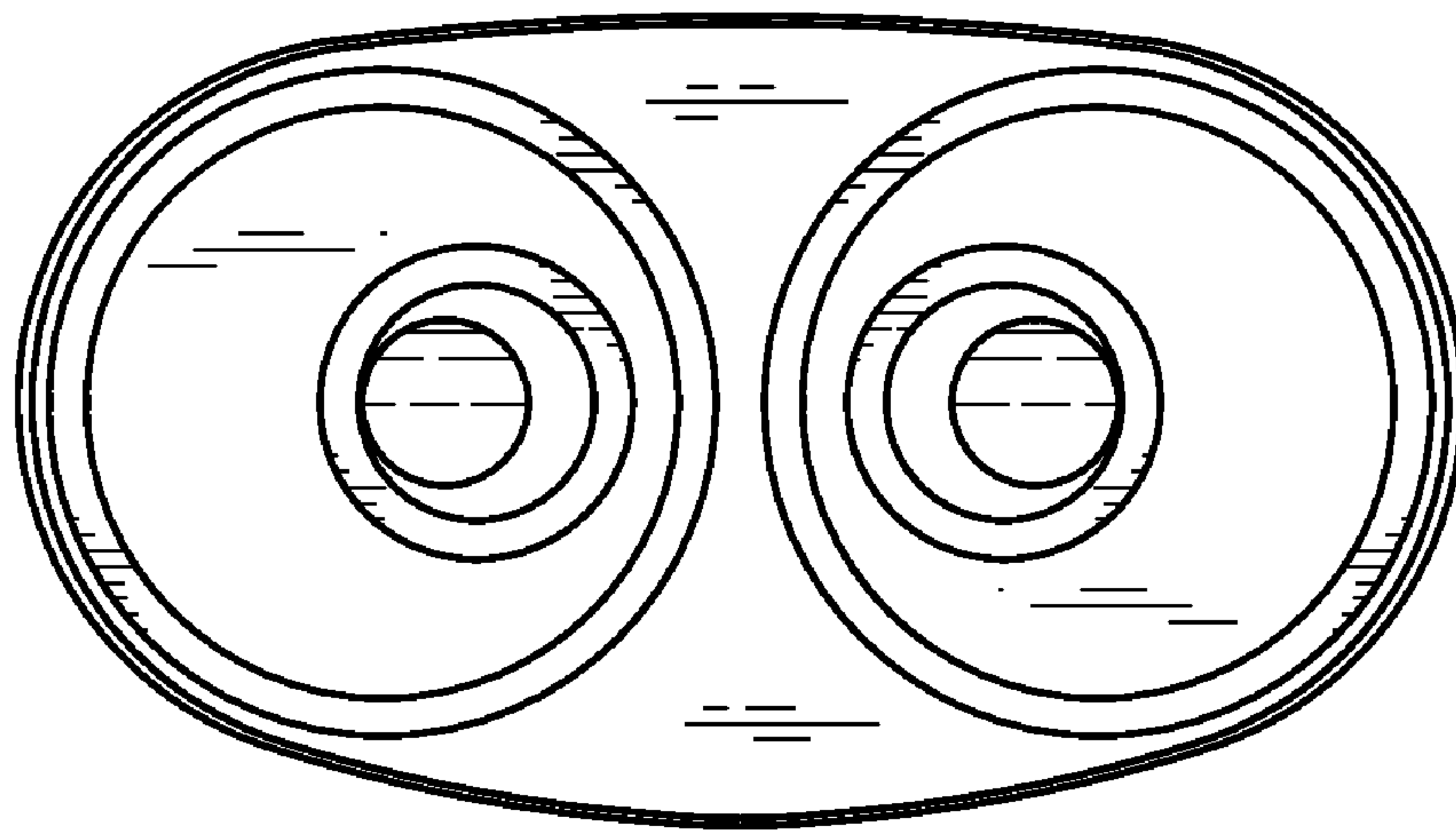


FIG. 8