



US00D639442S

(12) **United States Design Patent**
Chandler

(10) **Patent No.:** **US D639,442 S**

(45) **Date of Patent:** **** Jun. 7, 2011**

(54) **BREAST SUPPORT DEVICE**

(75) Inventor: **Catharina Chandler**, Charlotte, NC
(US)

(73) Assignee: **The Kush Co. LLC**, Charlotte, NC (US)

(**) Term: **14 Years**

(21) Appl. No.: **29/358,815**

(22) Filed: **Apr. 1, 2010**

Related U.S. Application Data

(63) Continuation of application No. 11/745,073, filed on
May 7, 2007, now abandoned.

(51) **LOC (9) Cl.** **24-01**

(52) **U.S. Cl.** **D24/190; D24/200**

(58) **Field of Classification Search** D24/183-185,
D24/188-191, 200, 211; D2/624, 701, 706;
D21/662, 679, 694; 5/630, 652; 2/267; 450/14,
450/36, 56, 59, 81, 88; 128/845, DIG. 20;
601/15, 121; 482/49

See application file for complete search history.

(56) **References Cited**

U.S. PATENT DOCUMENTS

3,705,579 A * 12/1972 Morini et al. 601/121
D302,592 S * 8/1989 Holmes D24/183
D340,487 S * 10/1993 Traub D21/712
D347,477 S * 5/1994 Morales D24/211
5,494,049 A * 2/1996 Rischbieth 5/630

D369,663 S * 5/1996 Gostine D24/183
D395,086 S * 6/1998 Reynolds, III D24/183
D428,946 S * 8/2000 Boorstein D21/679
6,129,687 A * 10/2000 Powell et al. 601/15
6,237,599 B1 * 5/2001 Maulding 128/845
D492,791 S * 7/2004 Alexander D24/211
D546,402 S * 7/2007 Sonnier D21/662
D563,557 S * 3/2008 Fink D24/200
D567,952 S * 4/2008 Fink D24/200
D567,953 S * 4/2008 Fink D24/200
D567,954 S * 4/2008 Fink D24/200
7,540,049 B2 * 6/2009 Sklenarik et al. 5/630
D615,278 S * 5/2010 Reed D2/701
D615,605 S * 5/2010 Frasco et al. D21/694
2001/0044968 A1 * 11/2001 Schmitter et al. 5/652
2002/0072295 A1 * 6/2002 Gatto et al. 450/57
2008/0280534 A1 * 11/2008 Chandler 450/59

* cited by examiner

Primary Examiner — Susan E Krakower

(74) *Attorney, Agent, or Firm* — Oliff & Berridge, PLC

(57) **CLAIM**

I claim the ornamental design for a breast support device, as
shown and described.

DESCRIPTION

FIG. 1 is a perspective view of a breast support device accord-
ing to the invention.

FIG. 2 is a side elevation view of the breast support device of
FIG. 1; and,

FIG. 3 is a front elevation view of the breast support device of
FIG. 1.

1 Claim, 1 Drawing Sheet

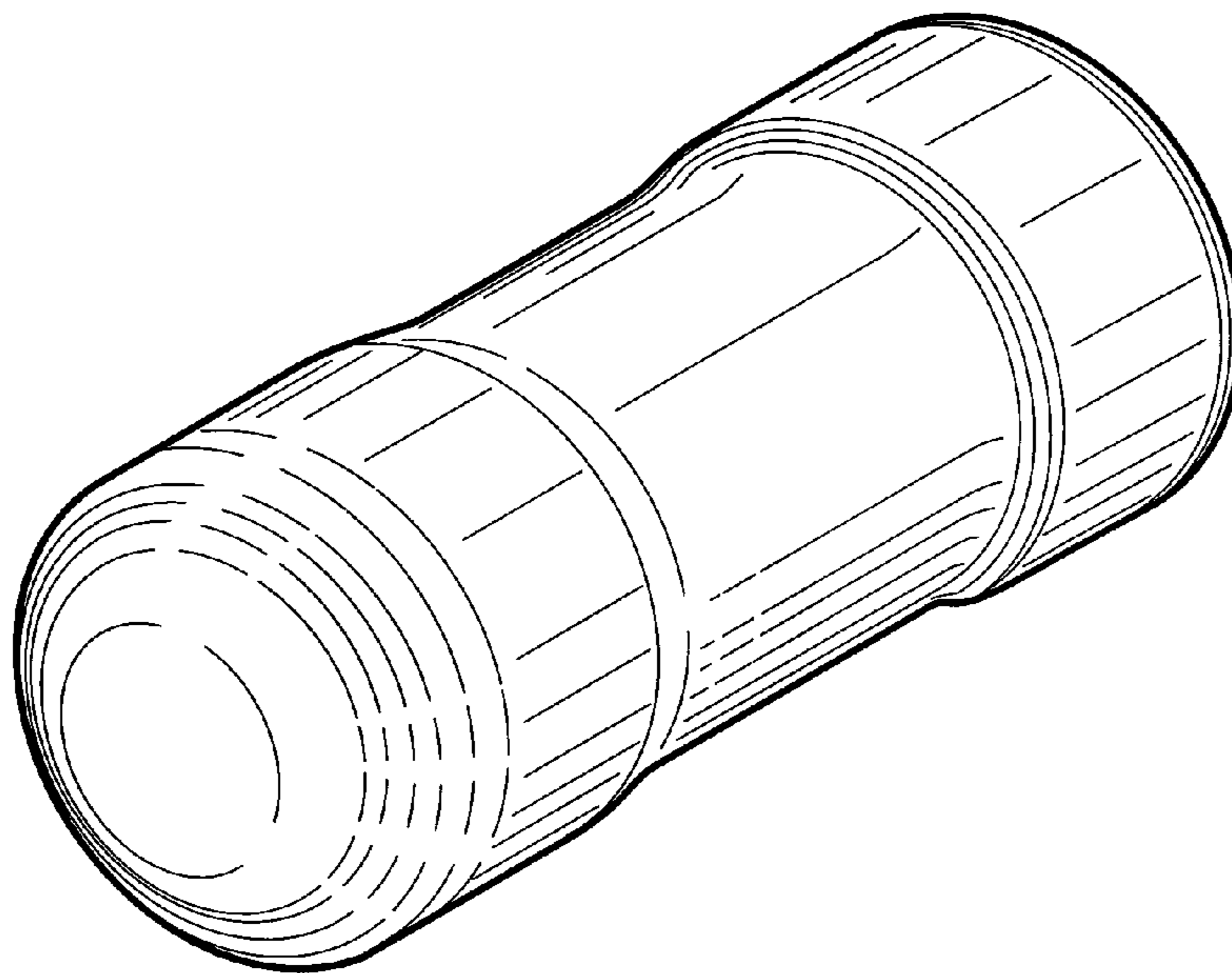


Fig. 1

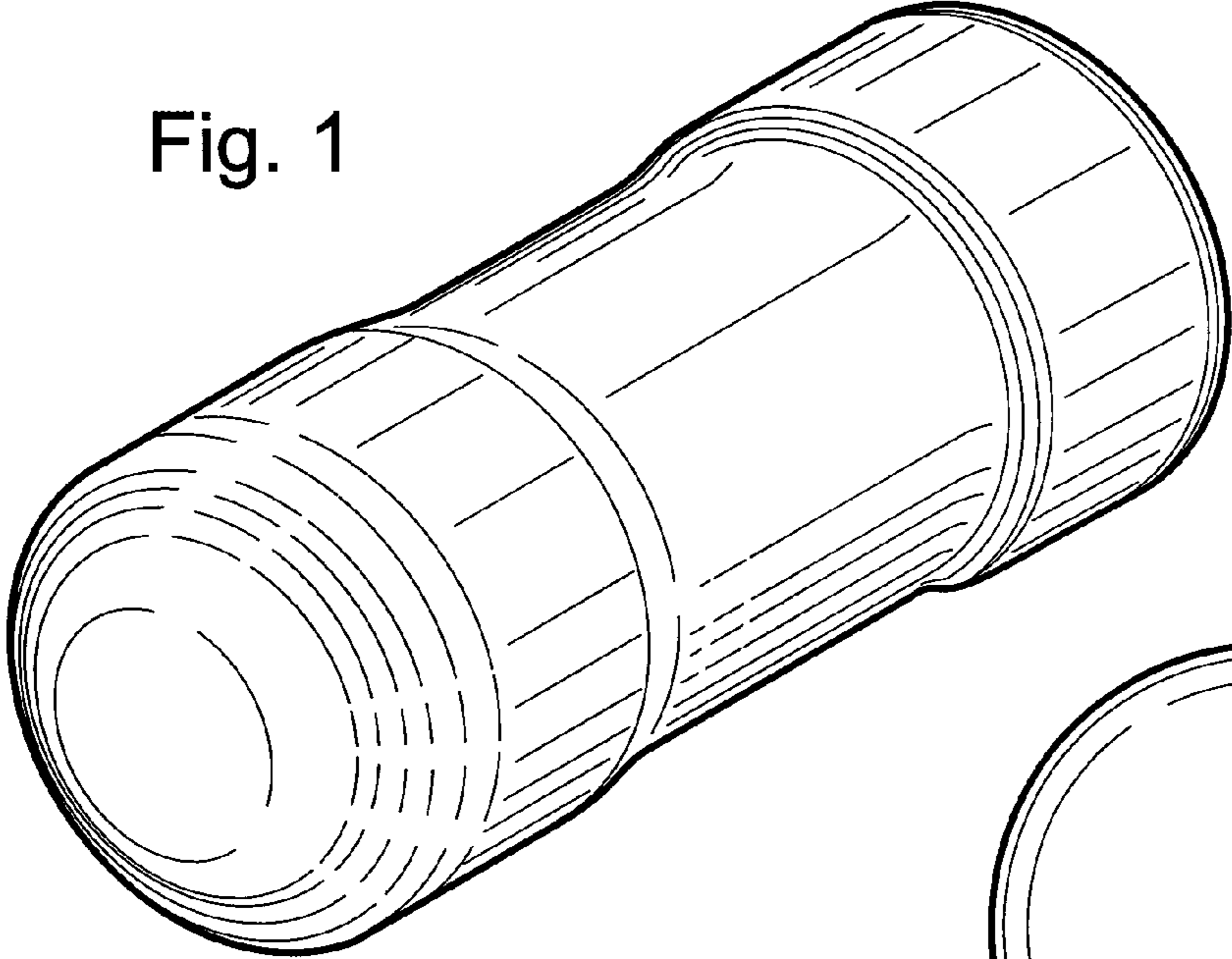


Fig. 2

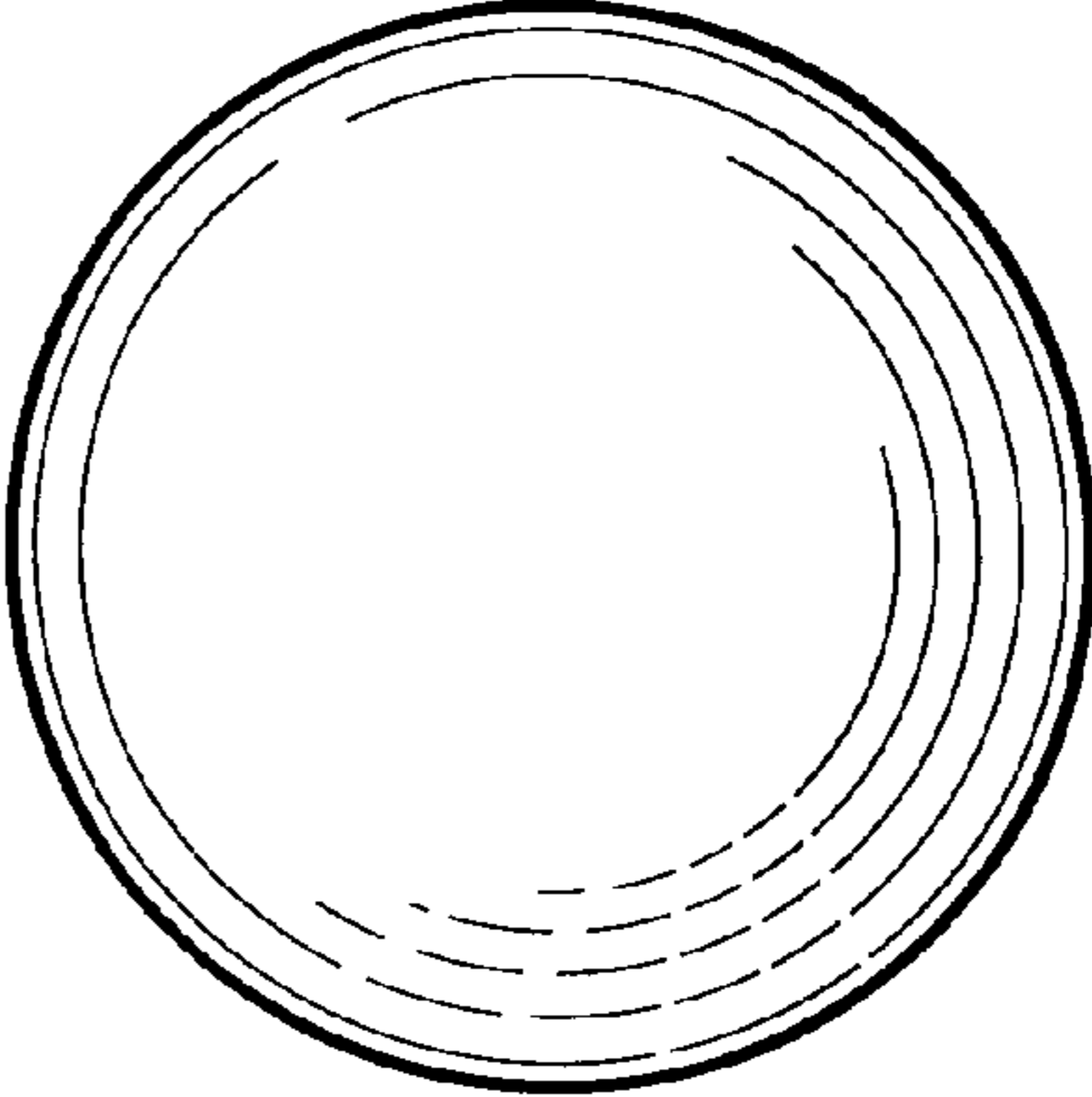


Fig. 3

