



US00D639429S

(12) **United States Design Patent**
Speiser

(10) **Patent No.:** **US D639,429 S**
(45) **Date of Patent:** **** Jun. 7, 2011**

(54) **OPTICAL ELEMENT**

(75) Inventor: **Bjoern Speiser**, Rottweil (DE)

(73) Assignee: **KARL STORZ GmbH & Co. KG**,
Tuttlingen (DE)

(**) Term: **14 Years**

(21) Appl. No.: **29/350,538**

(22) Filed: **Nov. 18, 2009**

(51) **LOC (9) Cl.** **24-02**

(52) **U.S. Cl.** **D24/138**

(58) **Field of Classification Search** D24/138,
D24/137, 133; 600/101-183

See application file for complete search history.

(56) **References Cited**

U.S. PATENT DOCUMENTS

D286,566	S	*	11/1986	Vukovic	D24/138
4,951,977	A	*	8/1990	Shutt	285/316
D611,600	S	*	3/2010	Stammberger et al.	D24/138
D630,322	S	*	1/2011	Speiser	D24/133
D630,734	S	*	1/2011	Speiser	D24/133
2007/0088200	A1	*	4/2007	Dahmen et al.	600/182
2008/0195128	A1	*	8/2008	Orbay et al.	606/170

FOREIGN PATENT DOCUMENTS

CN 300891690 * 11/2007

* cited by examiner

Primary Examiner — Bridget Eland

(74) *Attorney, Agent, or Firm* — Muncy, Geissler, Olds & Lowe, PLLC

(57) **CLAIM**

The ornamental design for an optical element, as shown and described.

DESCRIPTION

FIG. 1 is a left side perspective view of an optical element. FIG. 2 is a right side perspective view of the optical element of FIG. 1.

FIG. 3 is a top perspective view of the optical element of FIG. 1.

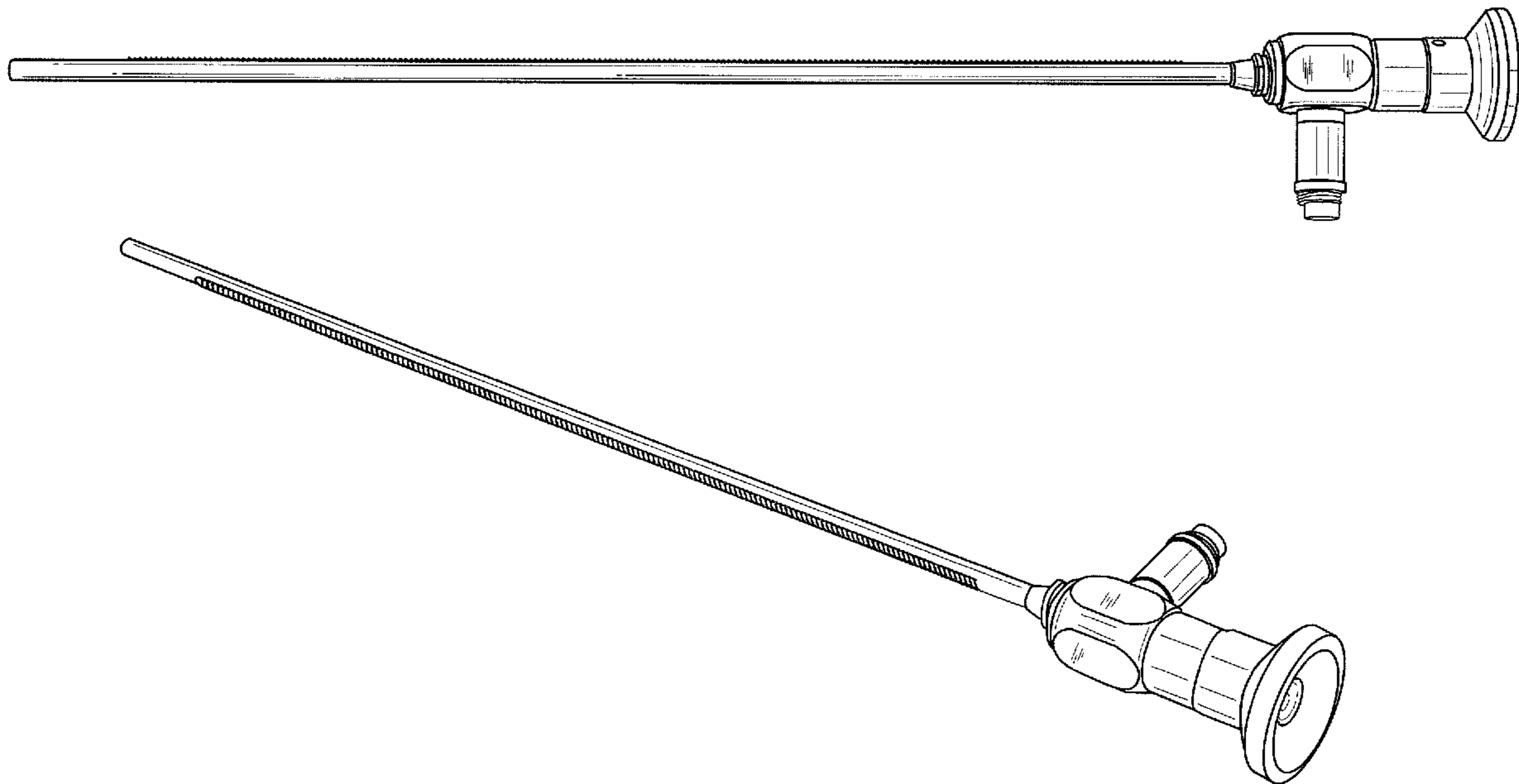
FIG. 4 is a bottom perspective view of the optical element of FIG. 1.

FIG. 5 is a front perspective view of the optical element of FIG. 1.

FIG. 6 is a rear perspective view of the optical element of FIG. 1; and,

FIG. 7 is a three-quarter perspective view of the optical element of FIG. 1.

1 Claim, 4 Drawing Sheets



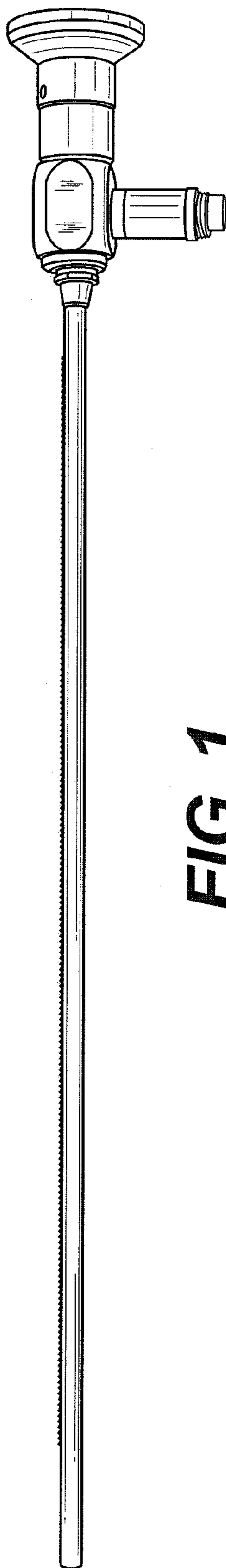


FIG. 1



FIG. 2

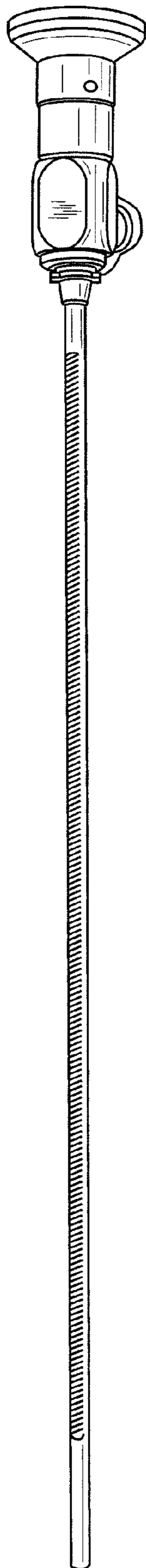


FIG. 3

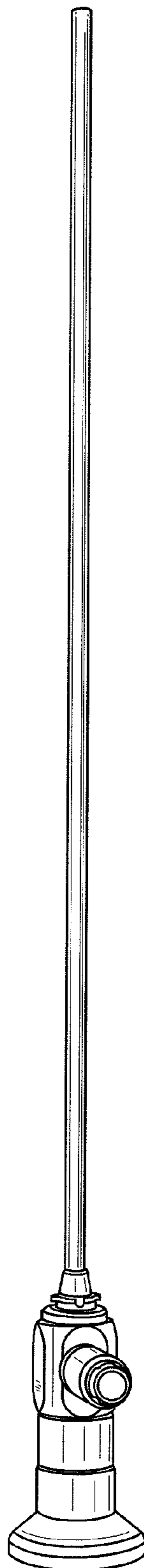


FIG. 4

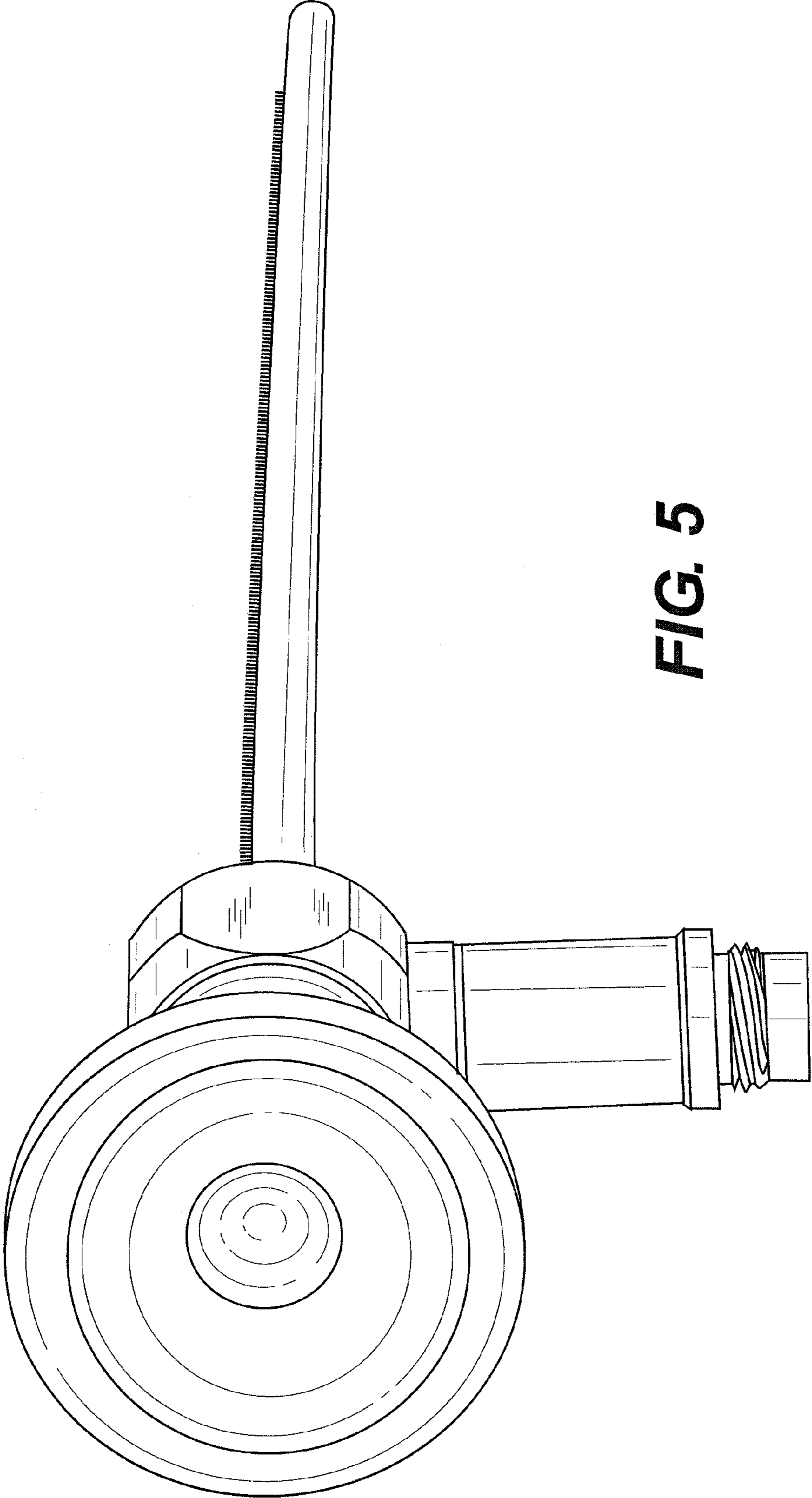
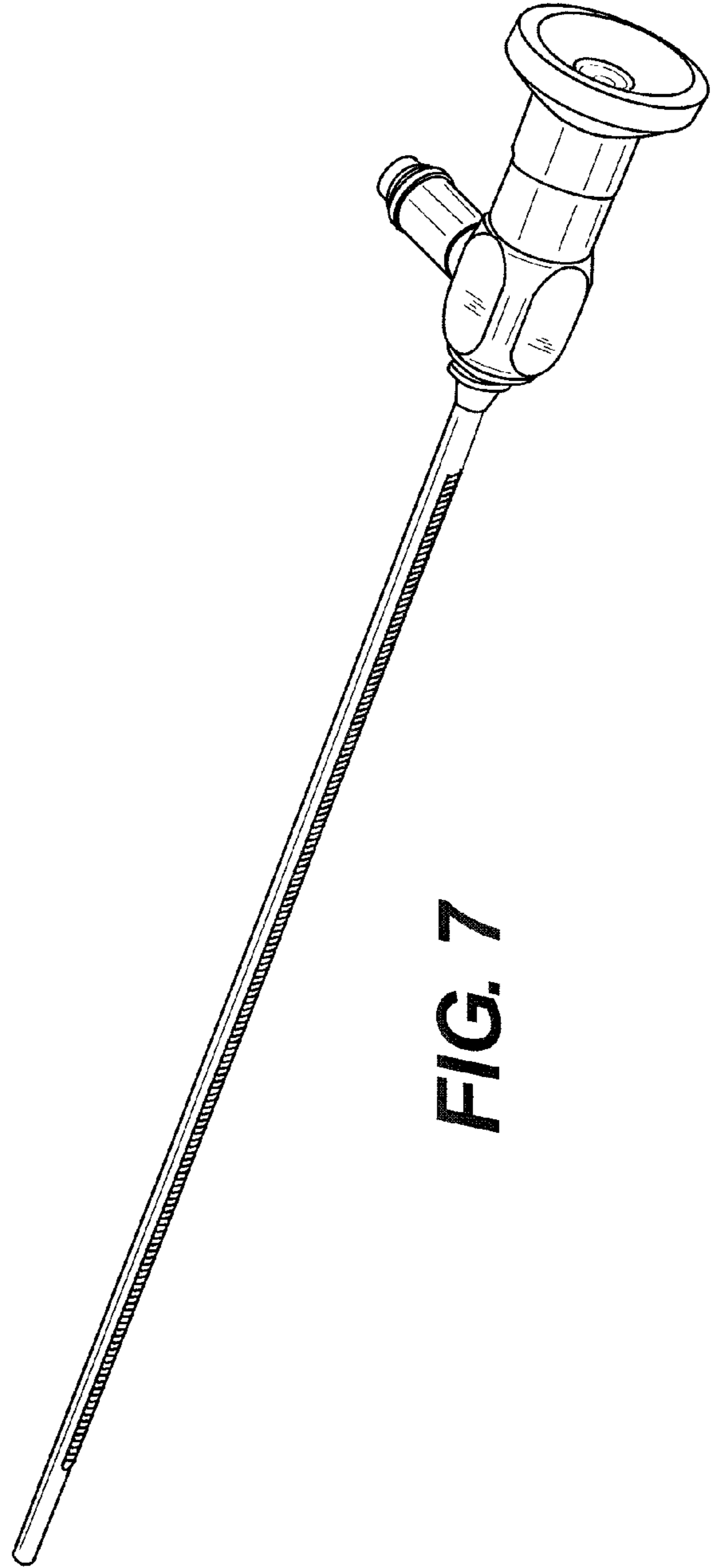
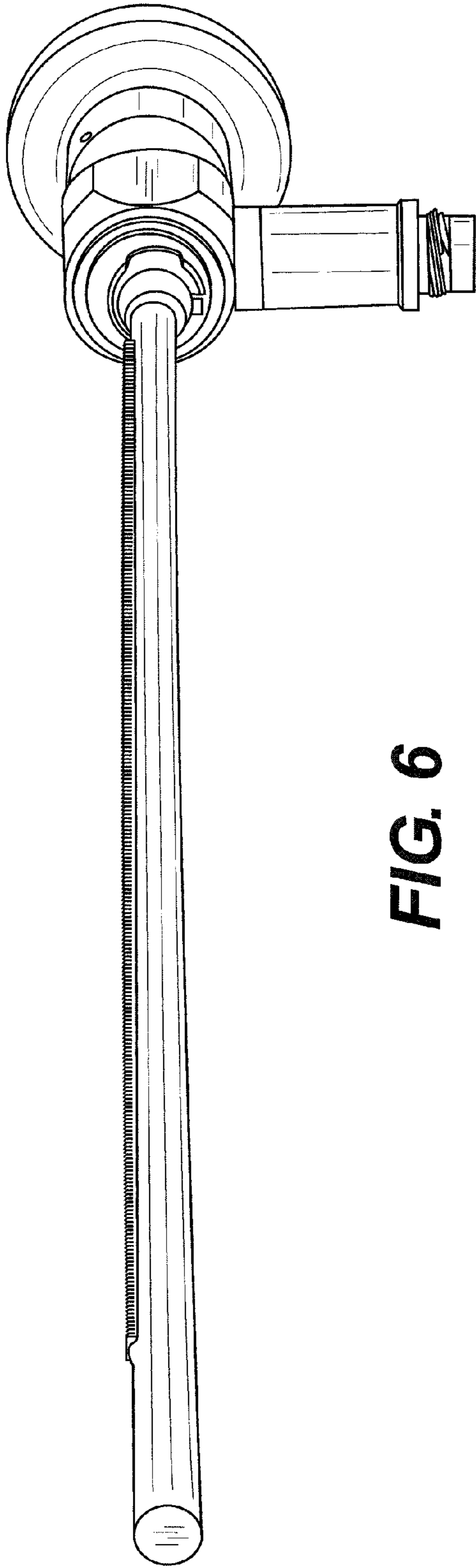


FIG. 5



UNITED STATES PATENT AND TRADEMARK OFFICE
CERTIFICATE OF CORRECTION

PATENT NO. : D639,429 S
APPLICATION NO. : 29/350538
DATED : June 7, 2011
INVENTOR(S) : Speiser

Page 1 of 1

It is certified that error appears in the above-identified patent and that said Letters Patent is hereby corrected as shown below:

On the Title Page:

Add

Item (30) Foreign Application Priority Data

May 18, 2009 (EM) 001516550-0016

Signed and Sealed this
Twenty-eighth Day of February, 2012



David J. Kappos
Director of the United States Patent and Trademark Office