

US00D639426S

(12) **United States Design Patent**  
**Boyd et al.**

(10) **Patent No.:** **US D639,426 S**

(45) **Date of Patent:** **\*\* Jun. 7, 2011**

(54) **CHEST PIECE FOR A STETHOSCOPE**

(76) Inventors: **Stacy L. Boyd**, Taft, CA (US); **Jerry I. Boyd**, Taft, CA (US); **Travis D. Neumann**, Taft, CA (US)

(\*\*) Term: **14 Years**

(21) Appl. No.: **29/377,840**

(22) Filed: **Oct. 26, 2010**

(51) **LOC (9) Cl.** ..... **24-02**

(52) **U.S. Cl.** ..... **D24/134**

(58) **Field of Classification Search** ..... D24/134;  
181/131, 132

See application file for complete search history.

(56) **References Cited**

U.S. PATENT DOCUMENTS

1,559,147	A *	10/1925	Aurness	181/131
3,108,652	A *	10/1963	Littmann	181/131
3,193,047	A *	7/1965	Allen	181/137
3,215,224	A *	11/1965	Machlup	181/137
3,346,069	A *	10/1967	Speelman	181/135
4,254,302	A *	3/1981	Walshe	381/67
5,514,840	A *	5/1996	Selinger	181/131
5,616,890	A *	4/1997	Boussignac	181/131
D390,660	S *	2/1998	Rashman et al.	D24/134
5,861,584	A *	1/1999	Shieh	181/131
5,921,941	A *	7/1999	Longobardo et al.	600/528
D432,237	S *	10/2000	Shick	D24/134
D485,357	S *	1/2004	Kapinos, Sr.	D24/134
D555,789	S *	11/2007	Norleen et al.	D24/134

2002/0157896	A1 *	10/2002	Bates	181/131
2004/0096069	A1 *	5/2004	Chien	381/67
2004/0114767	A1 *	6/2004	Tseng	381/67
2005/0029038	A1 *	2/2005	Costa et al.	181/131
2006/0283656	A1 *	12/2006	Lin	181/131
2007/0074929	A1 *	4/2007	Garcia et al.	181/131
2008/0245602	A1 *	10/2008	Nakamura	181/131
2008/0257637	A1 *	10/2008	Miller et al.	181/131

\* cited by examiner

*Primary Examiner* — Bridget L Eland

(74) *Attorney, Agent, or Firm* — James M. Duncan, Esq.; Klein, DeNatale, Goldner, et al.

(57) **CLAIM**

The ornamental design for a chest piece for a stethoscope, as shown and described.

**DESCRIPTION**

FIG. 1 is a perspective view of a chest piece for a stethoscope showing our new design;

FIG. 2 is a rear view thereof;

FIG. 3 is a front view thereof;

FIG. 4 is a top view thereof;

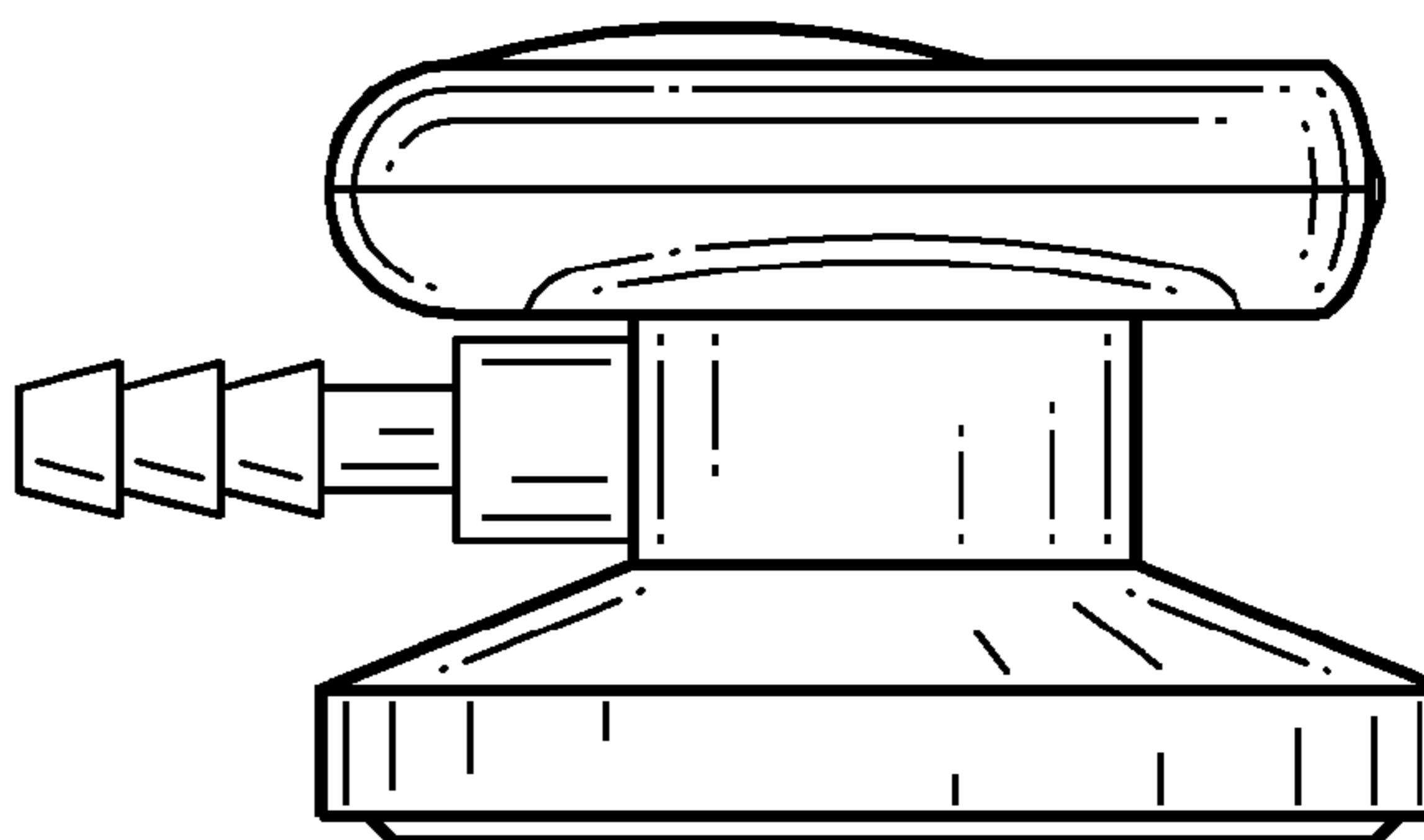
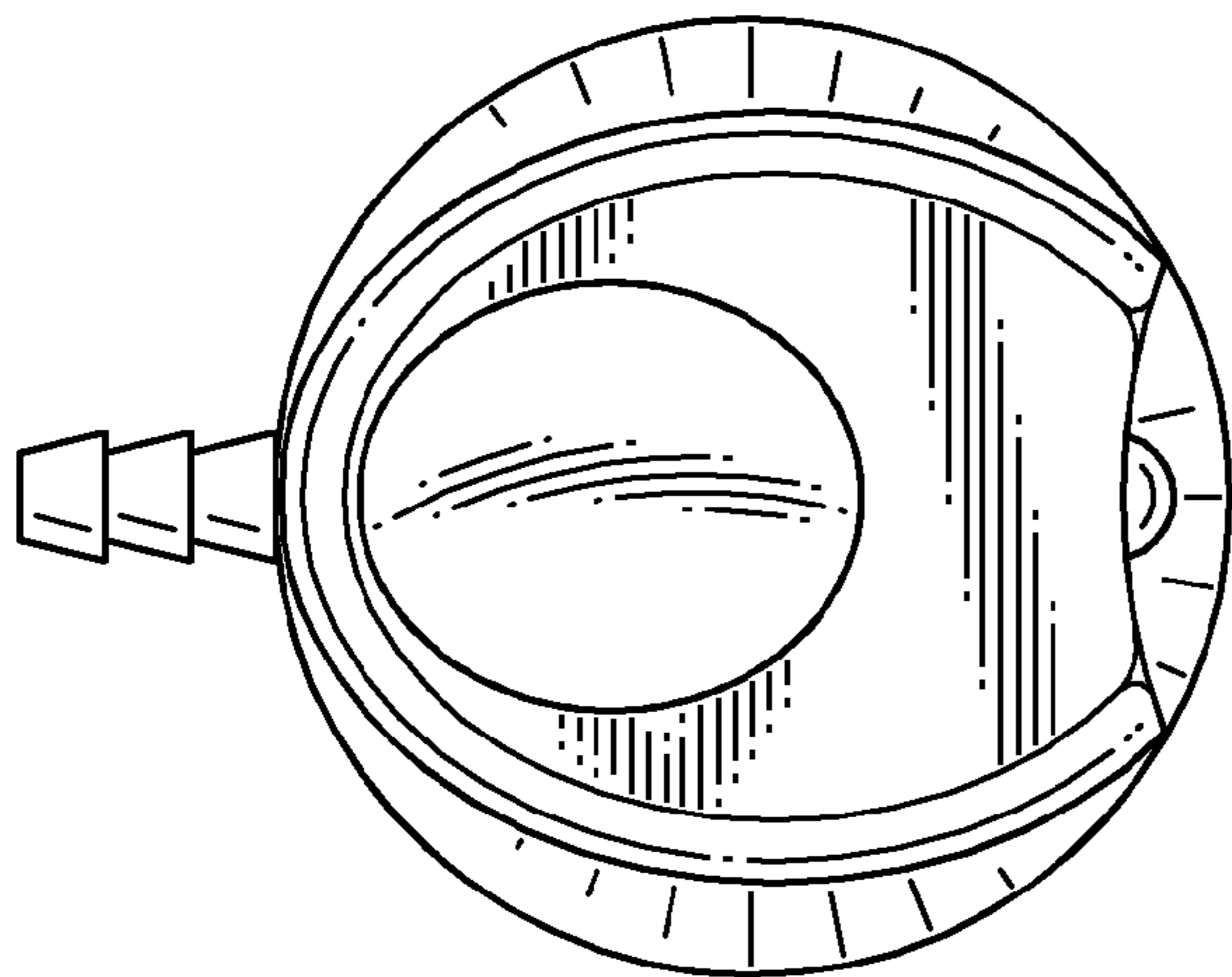
FIG. 5 is a right side view thereof;

FIG. 6 is a left side view thereof; and,

FIG. 7 is a bottom view.

The broken lines immediately adjacent the shaded areas represent the bounds of the claimed design while all other broken lines are directed to environment and are for illustrative purposes only; the broken lines form no part of the claimed design.

**1 Claim, 2 Drawing Sheets**



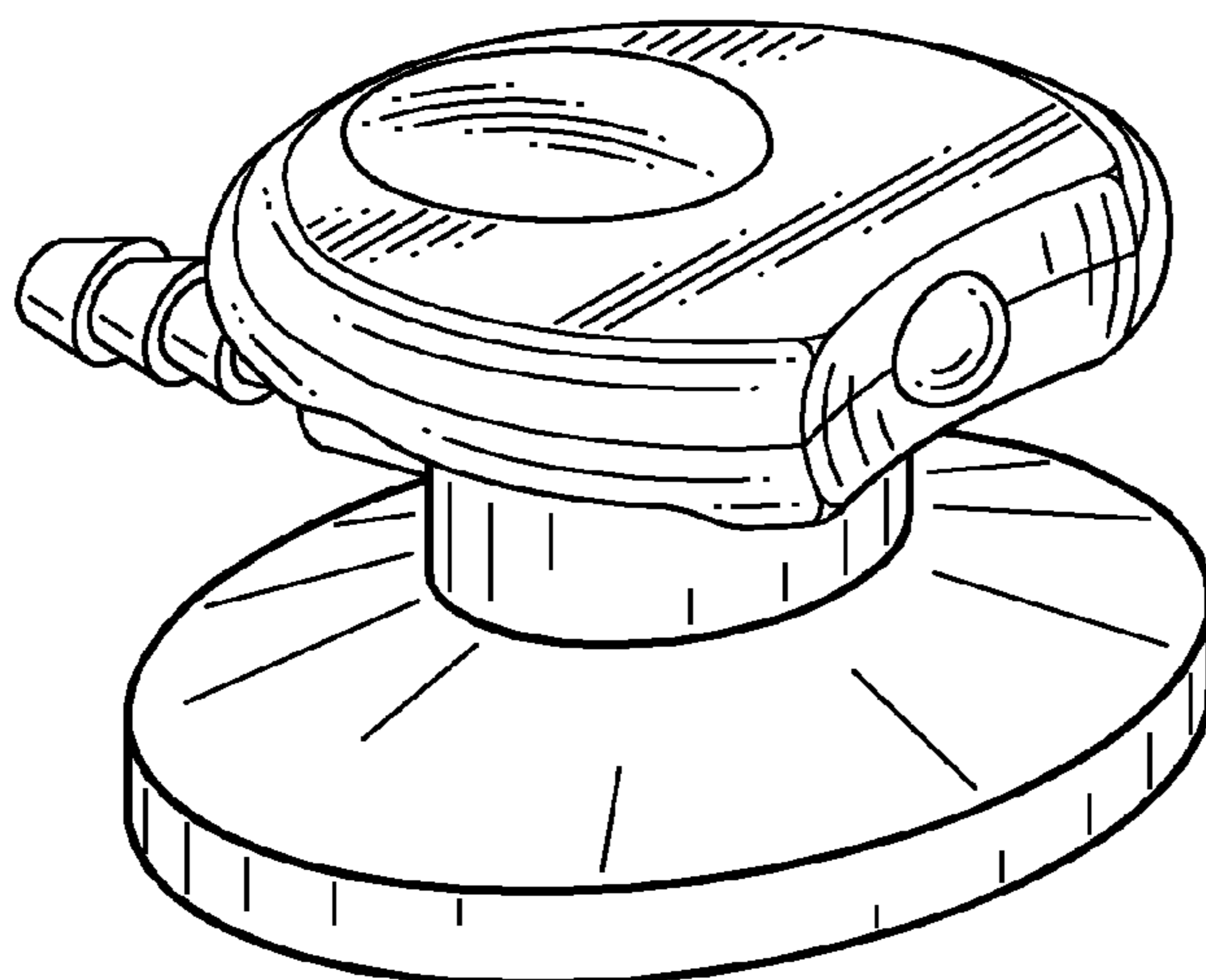


FIG. 1

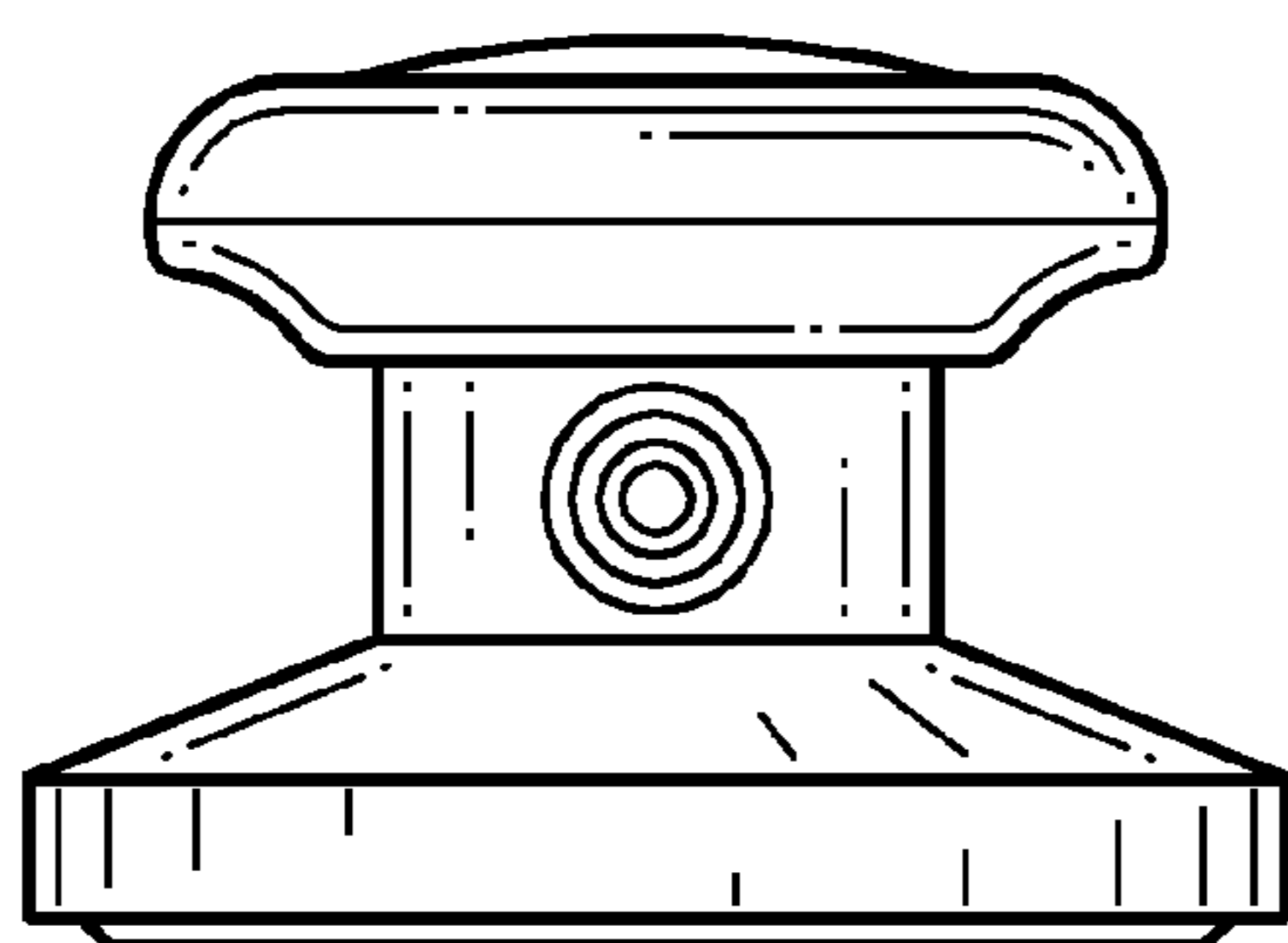


FIG. 2

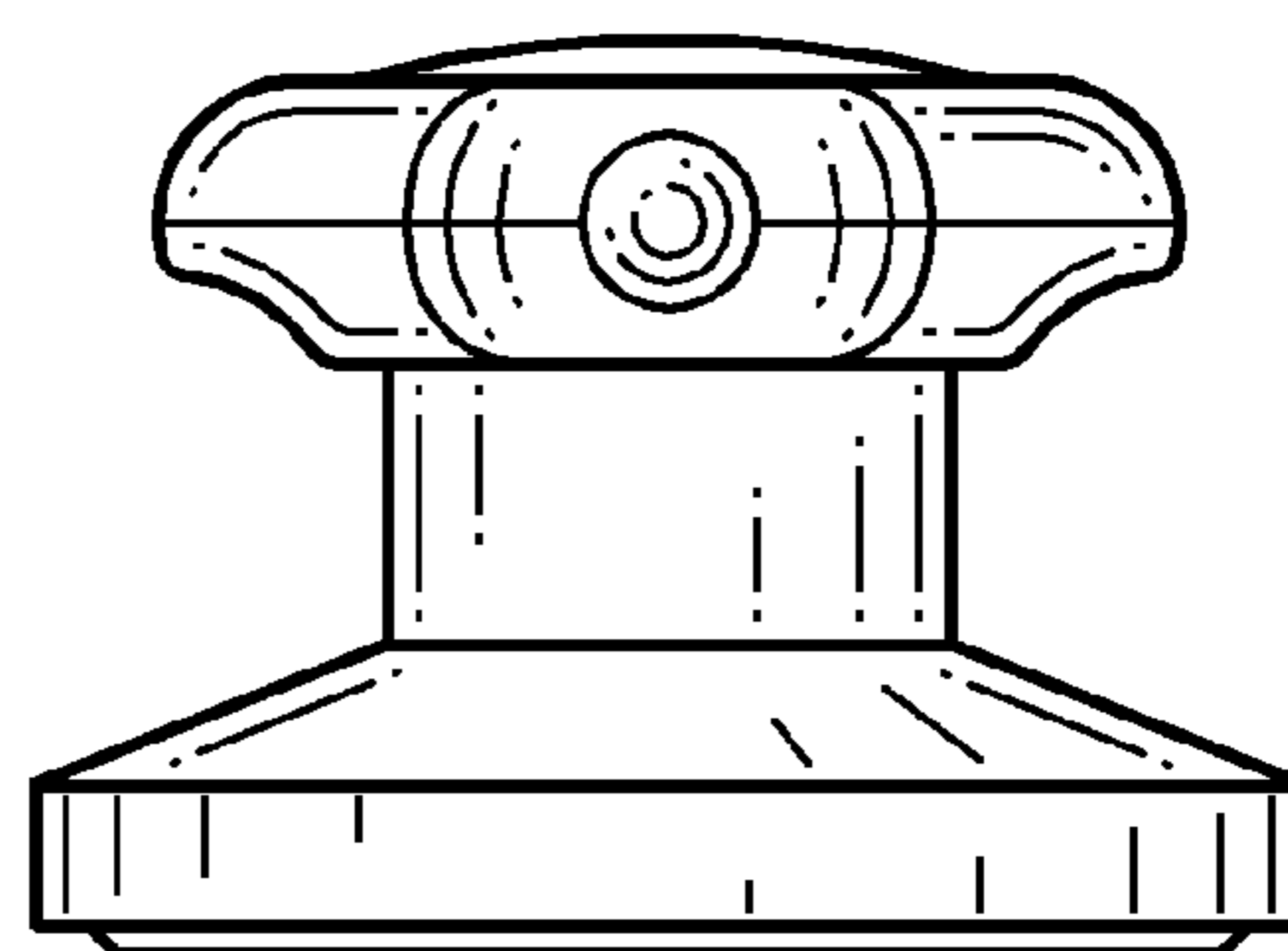


FIG. 3

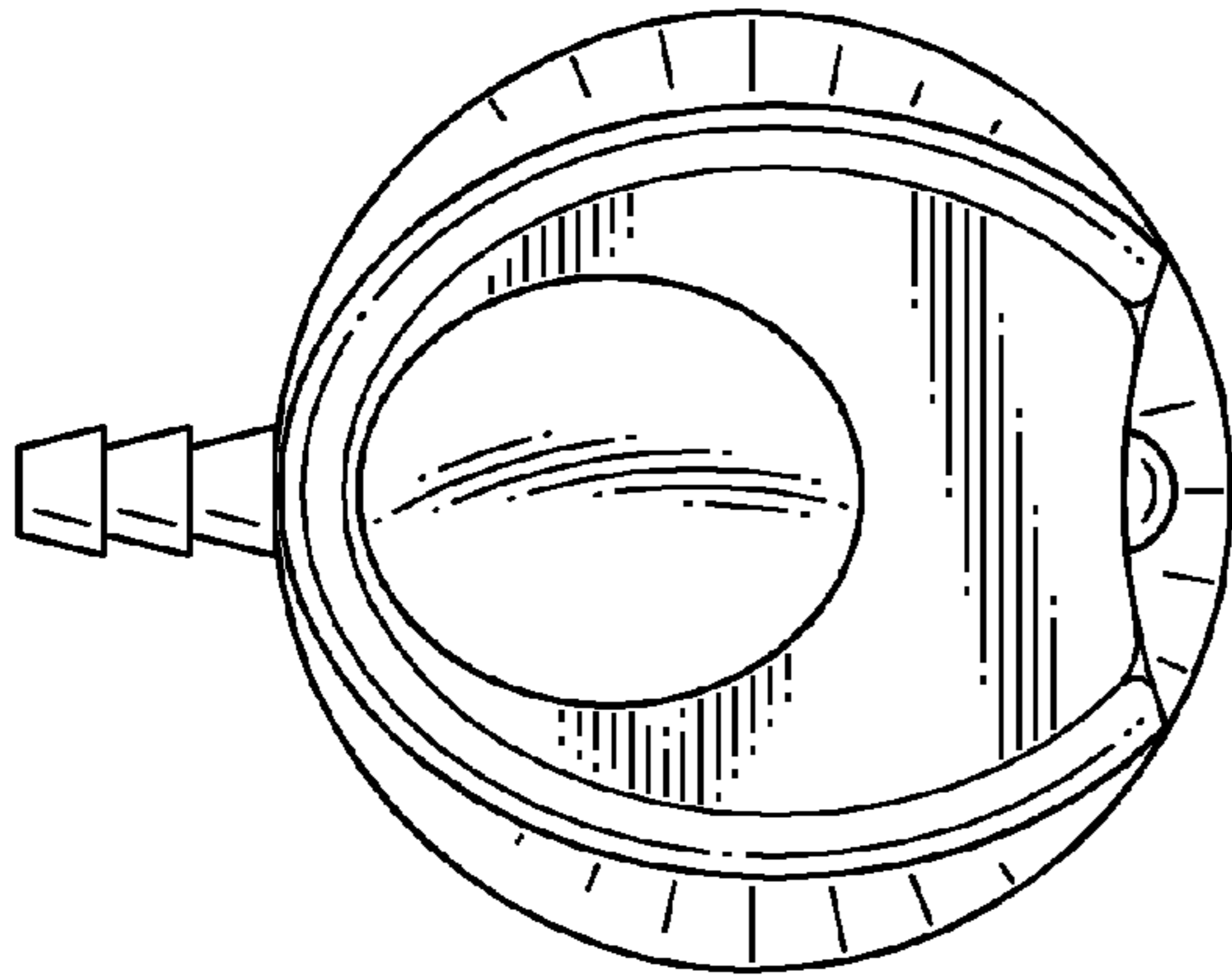


FIG. 4

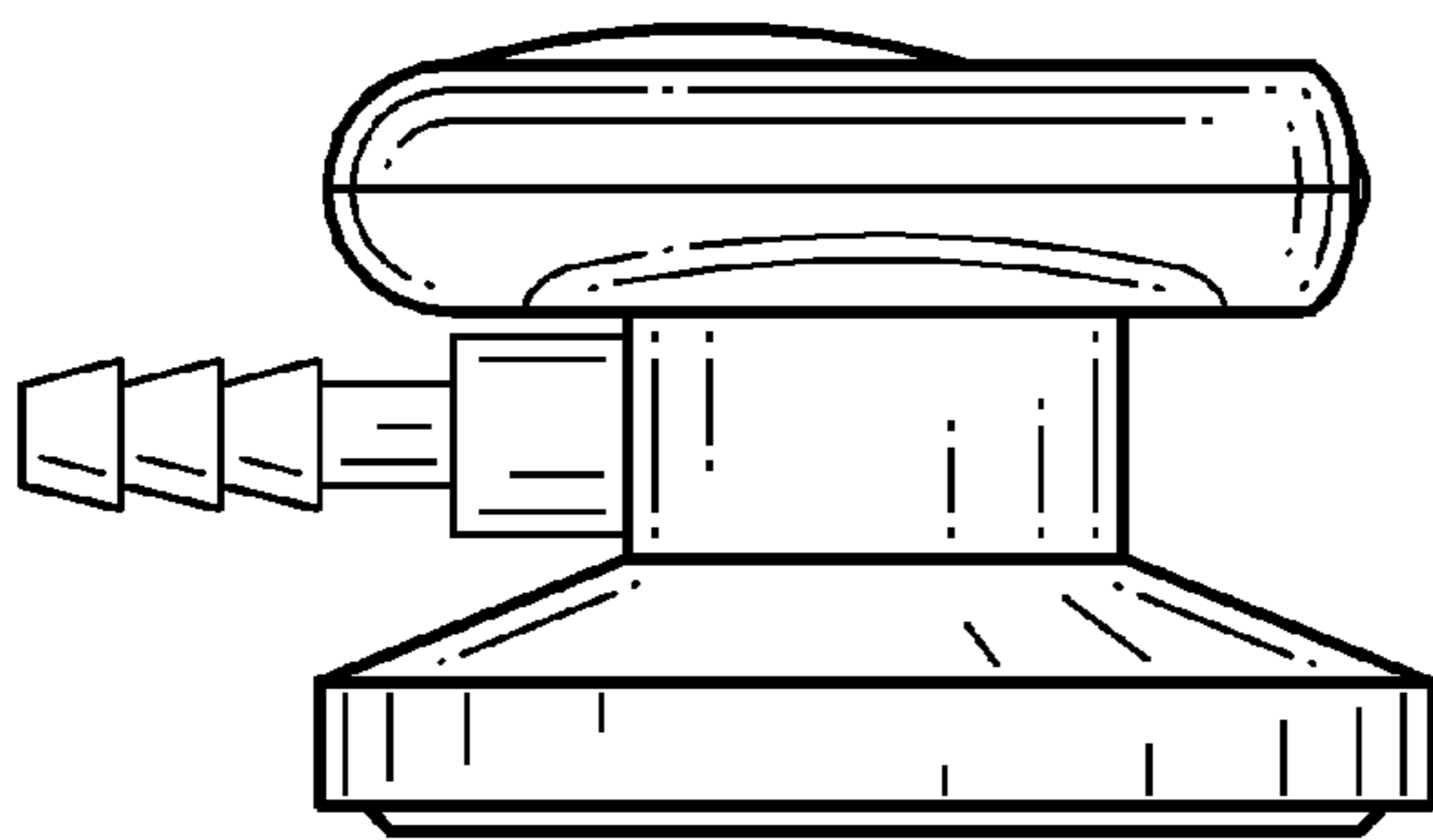


FIG. 5

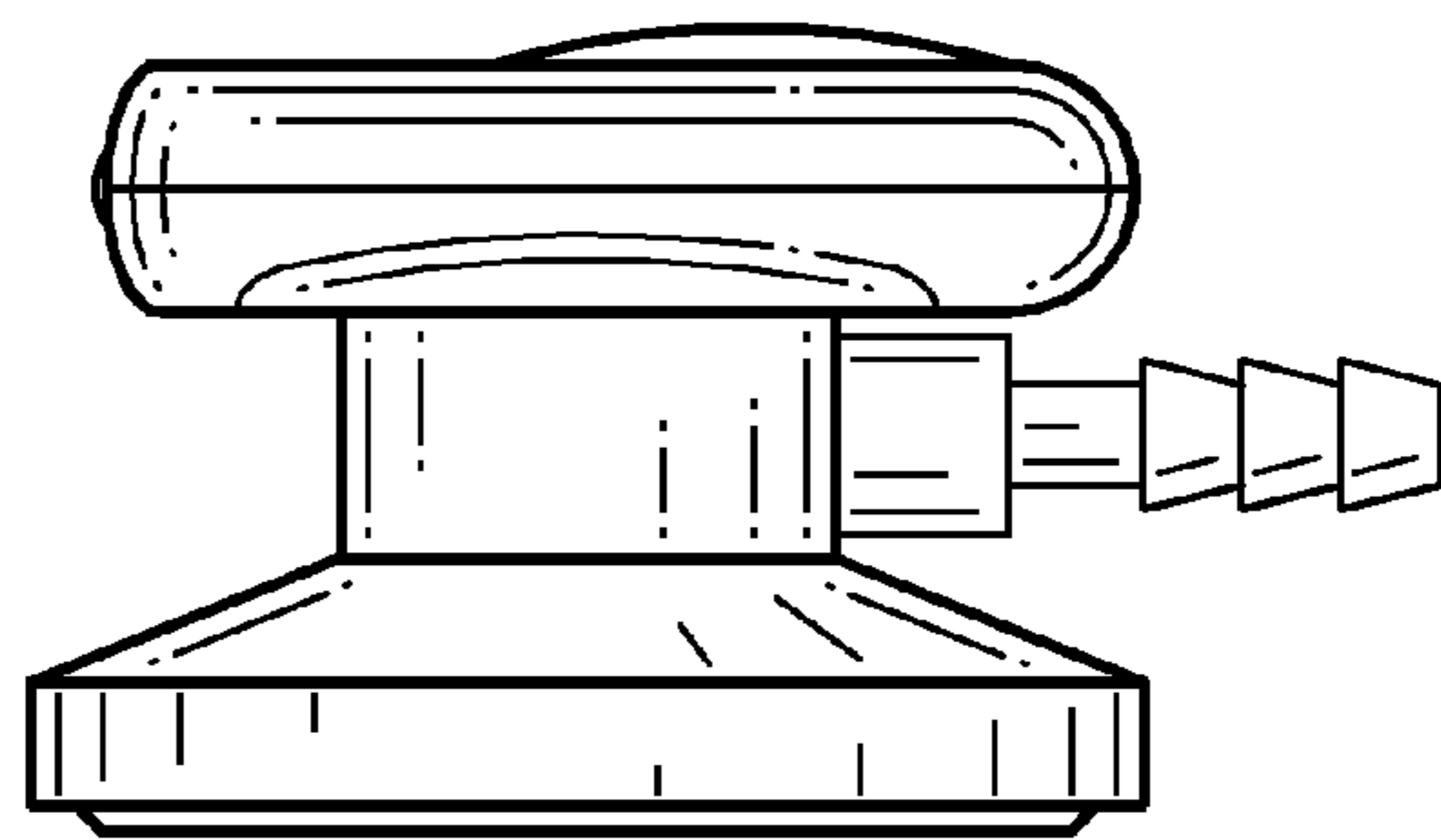


FIG. 6

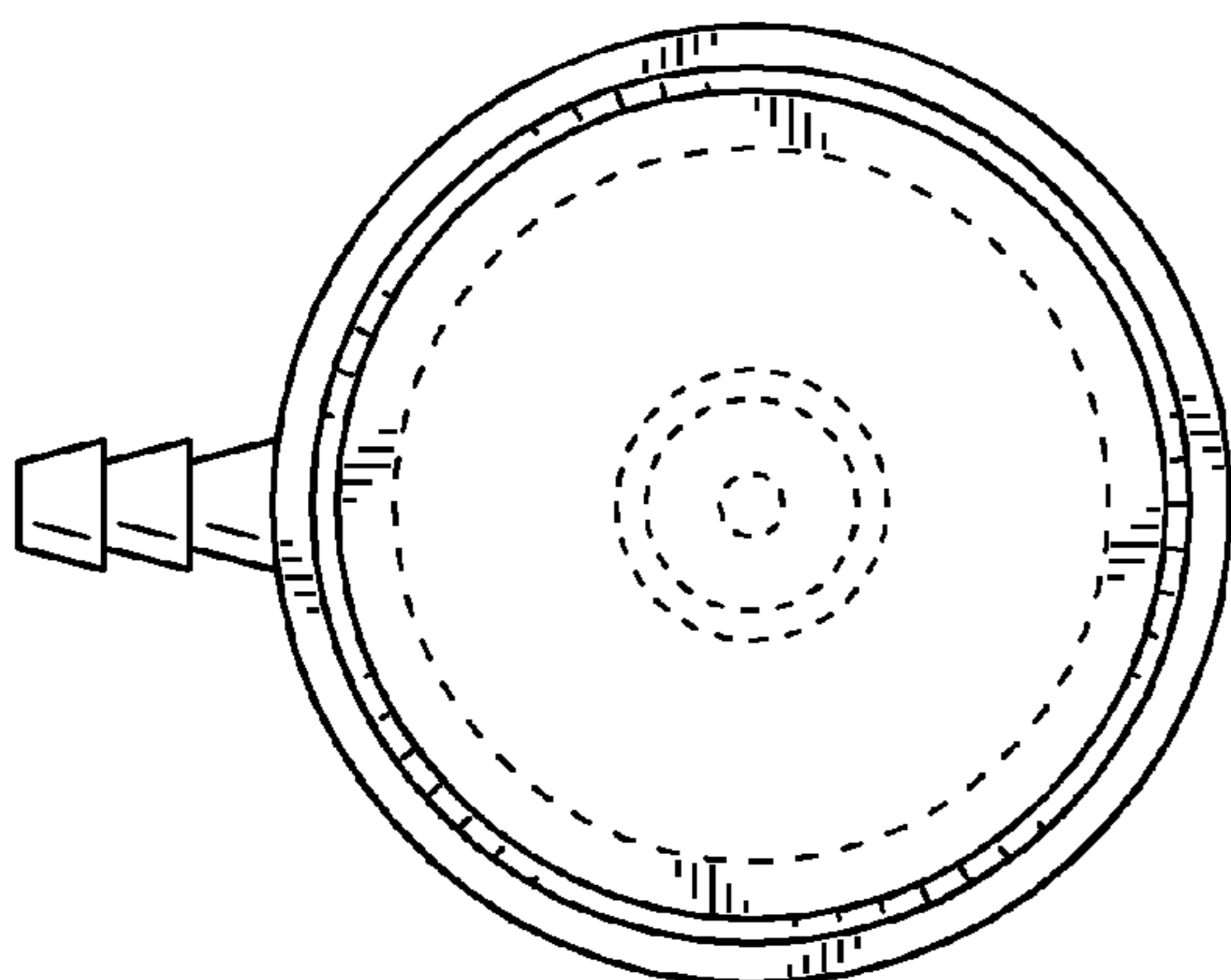


FIG. 7