



US00D639425S

(12) **United States Design Patent**
Schultz

(10) **Patent No.:** **US D639,425 S**

(45) **Date of Patent:** **** Jun. 7, 2011**

(54) **ABSCCESS SHIELD**

(76) Inventor: **Joseph P. Schultz**, Atlanta, GA (US)

(**) Term: **14 Years**

(21) Appl. No.: **29/376,375**

(22) Filed: **Oct. 6, 2010**

(51) **LOC (9) Cl.** **24-02**

(52) **U.S. Cl.** **D24/127**

(58) **Field of Classification Search** D24/107-108,
D24/127, 231-232; 128/917-919; 604/39,
604/187, 242

See application file for complete search history.

6,293,929	B1 *	9/2001	Smith et al.	604/289
6,402,724	B1 *	6/2002	Smith et al.	604/289
6,558,344	B2 *	5/2003	McKinnon et al.	604/35
7,311,695	B1 *	12/2007	Schultz	604/289
7,540,860	B2 *	6/2009	Stamler	604/268

* cited by examiner

Primary Examiner — T. Chase Nelson

Assistant Examiner — Eric L Goodman

(74) *Attorney, Agent, or Firm* — Stoneman Law Patent Group; Martin L. Stoneman

(57) **CLAIM**

The ornamental design for an abscess shield, as shown and described.

DESCRIPTION

FIG. 1 is a perspective view of an abscess shield showing my new design;

FIG. 2 is an elevational view thereof;

FIG. 3 is a top view thereof; and,

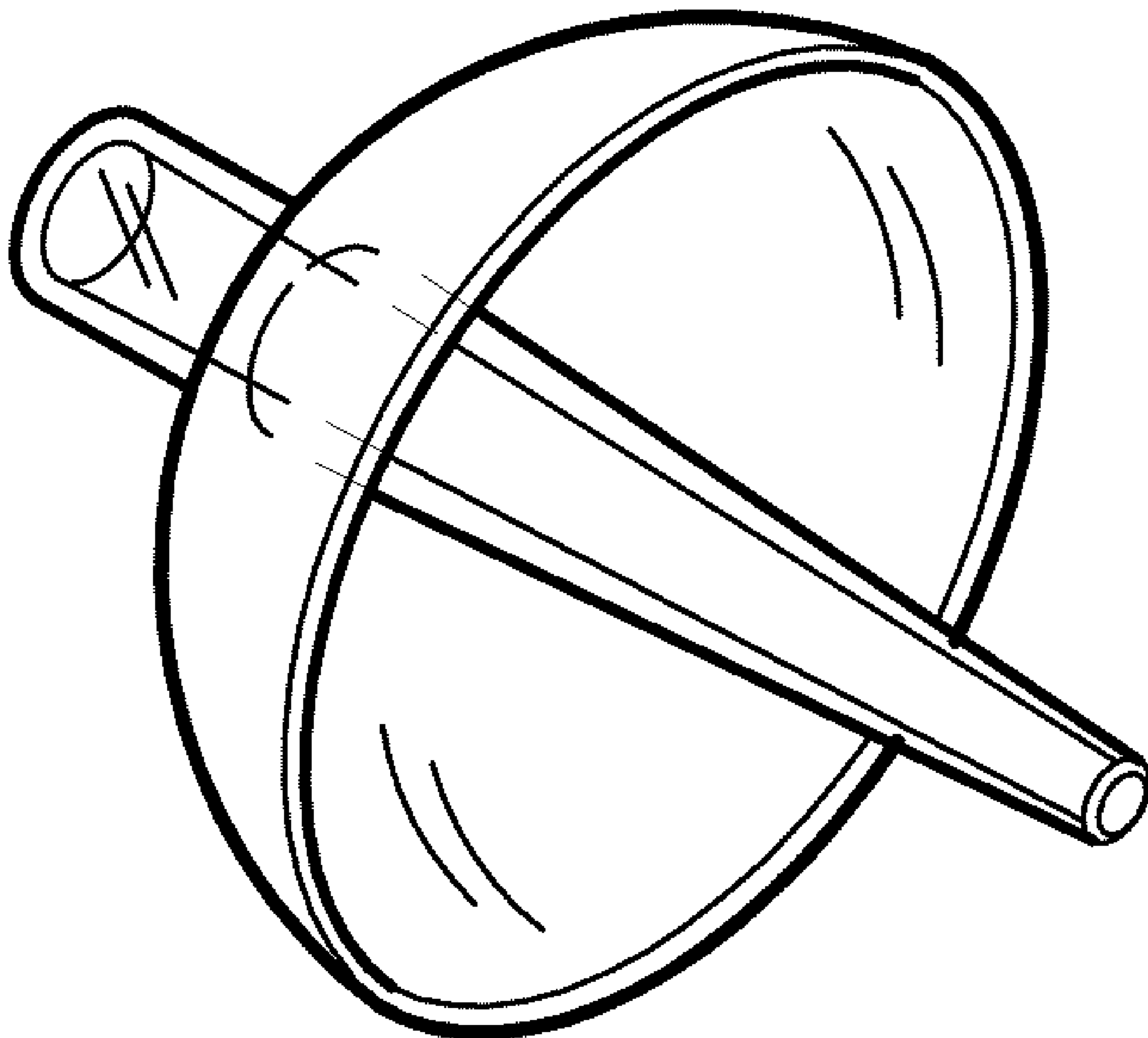
FIG. 4 is a bottom view thereof.

(56) **References Cited**

U.S. PATENT DOCUMENTS

5,133,701	A *	7/1992	Han	604/289
5,224,940	A *	7/1993	Dann et al.	604/290
D344,133	S *	2/1994	Stamler	D24/130
D345,016	S *	3/1994	Stamler	D24/130
5,941,859	A *	8/1999	Lerman	604/289
6,210,381	B1 *	4/2001	Morse	604/289

1 Claim, 1 Drawing Sheet



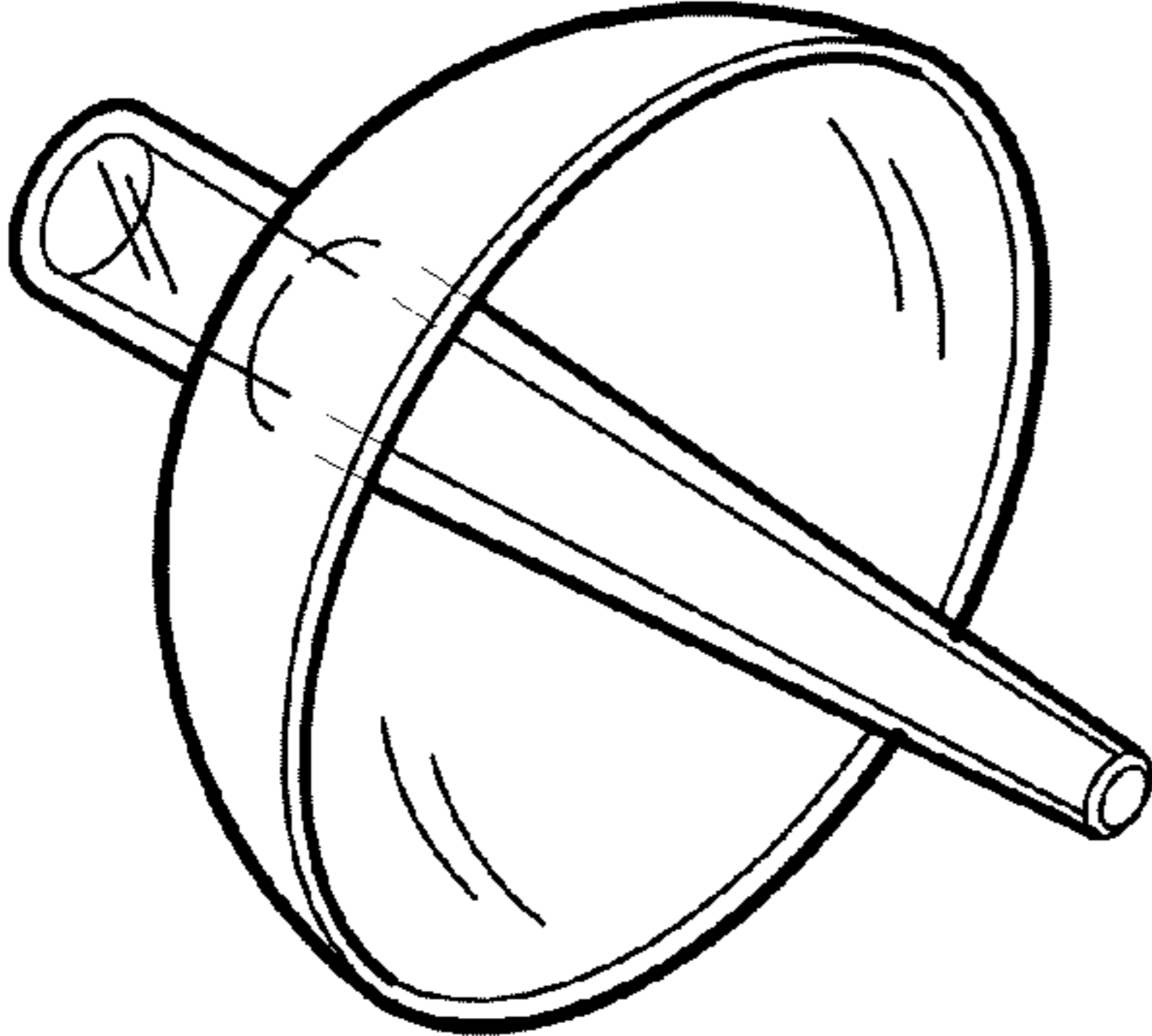


FIG. 1

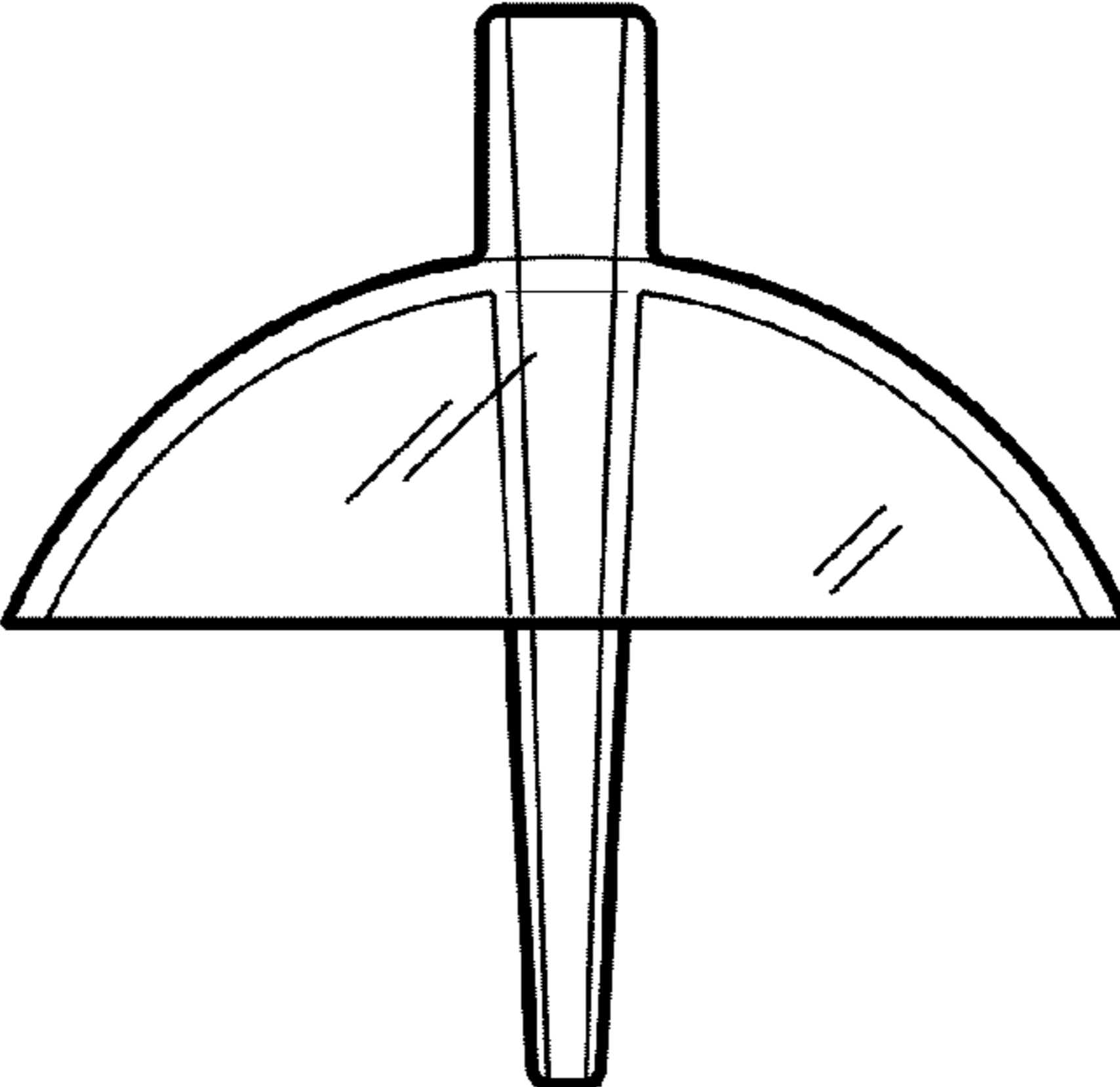


FIG. 2

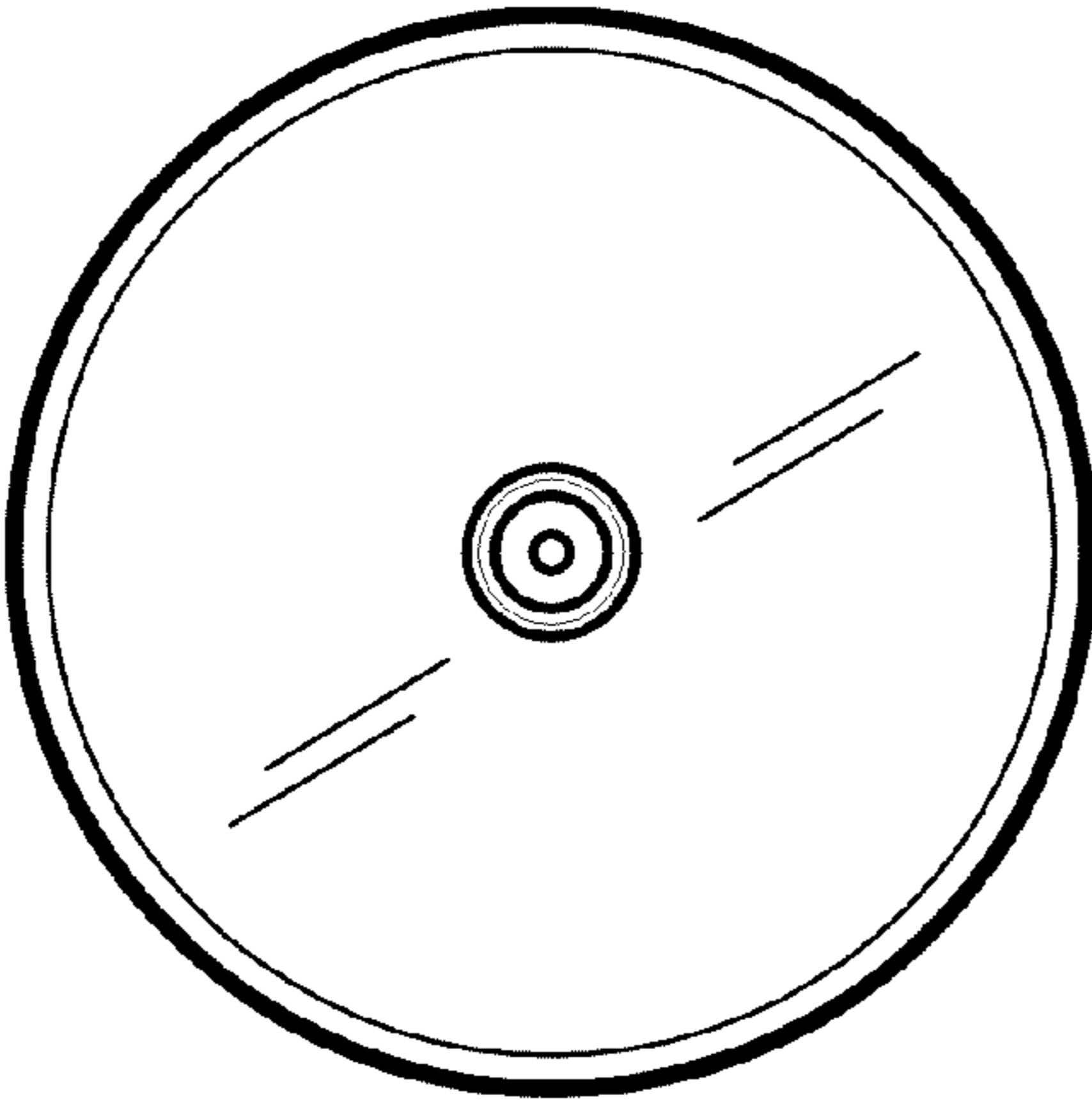


FIG. 3

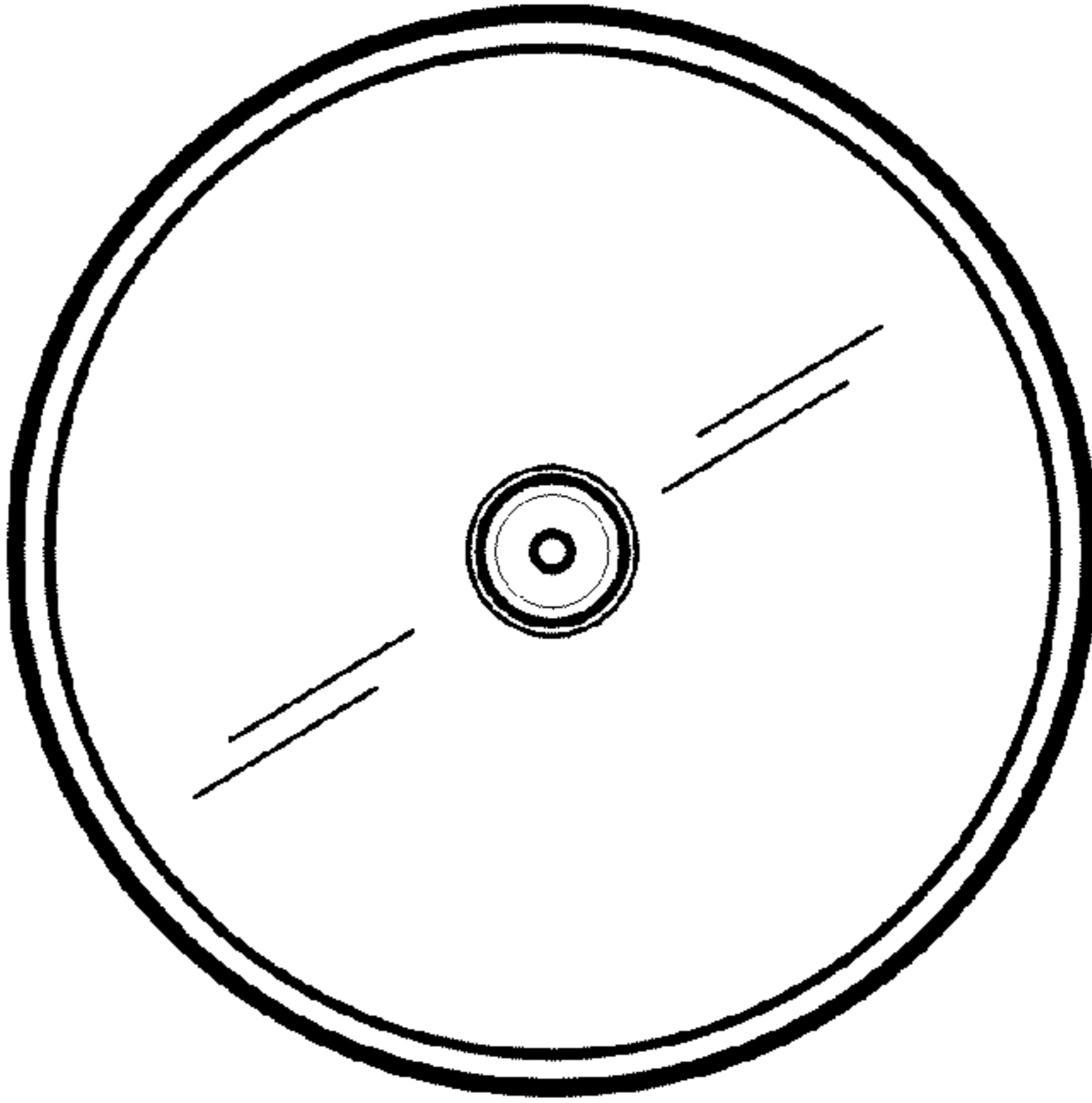


FIG. 4