



US00D639424S

(12) **United States Design Patent**
Schultz

(10) **Patent No.:** **US D639,424 S**

(45) **Date of Patent:** **** Jun. 7, 2011**

(54) **ABSCCESS SHIELD**

(76) Inventor: **Joseph P. Schultz**, Atlanta, GA (US)

(**) Term: **14 Years**

(21) Appl. No.: **29/376,370**

(22) Filed: **Oct. 6, 2010**

(51) **LOC (9) Cl.** **24-02**

(52) **U.S. Cl.** **D24/127**

(58) **Field of Classification Search** D24/107-108,
D24/127, 231-232; 128/917-919; 604/39,
604/187, 242

See application file for complete search history.

(56) **References Cited**

U.S. PATENT DOCUMENTS

D303,572 S	9/1989	Parrish	
5,133,701 A *	7/1992	Han	604/289
5,224,940 A *	7/1993	Dann et al.	604/290
D344,133 S	2/1994	Stamler	
D345,016 S	3/1994	Stamler	
5,941,859 A *	8/1999	Lerman	604/289
6,210,381 B1	4/2001	Morse	
6,293,929 B1 *	9/2001	Smith et al.	604/289

6,402,724 B1 *	6/2002	Smith et al.	604/289
6,558,344 B2 *	5/2003	McKinnon et al.	604/35
7,311,695 B1 *	12/2007	Schultz	604/289
7,540,860 B2 *	6/2009	Stamler	604/268
2007/0173773 A1	7/2007	Stamler	

* cited by examiner

Primary Examiner — T. Chase Nelson

Assistant Examiner — Eric L Goodman

(74) *Attorney, Agent, or Firm* — Stoneman Law Patent Group; Martin L. Stoneman

(57) **CLAIM**

The ornamental design for an abscess shield, as shown and described.

DESCRIPTION

FIG. 1 is a perspective view of an abscess shield showing my new design;

FIG. 2 is a front elevational view thereof;

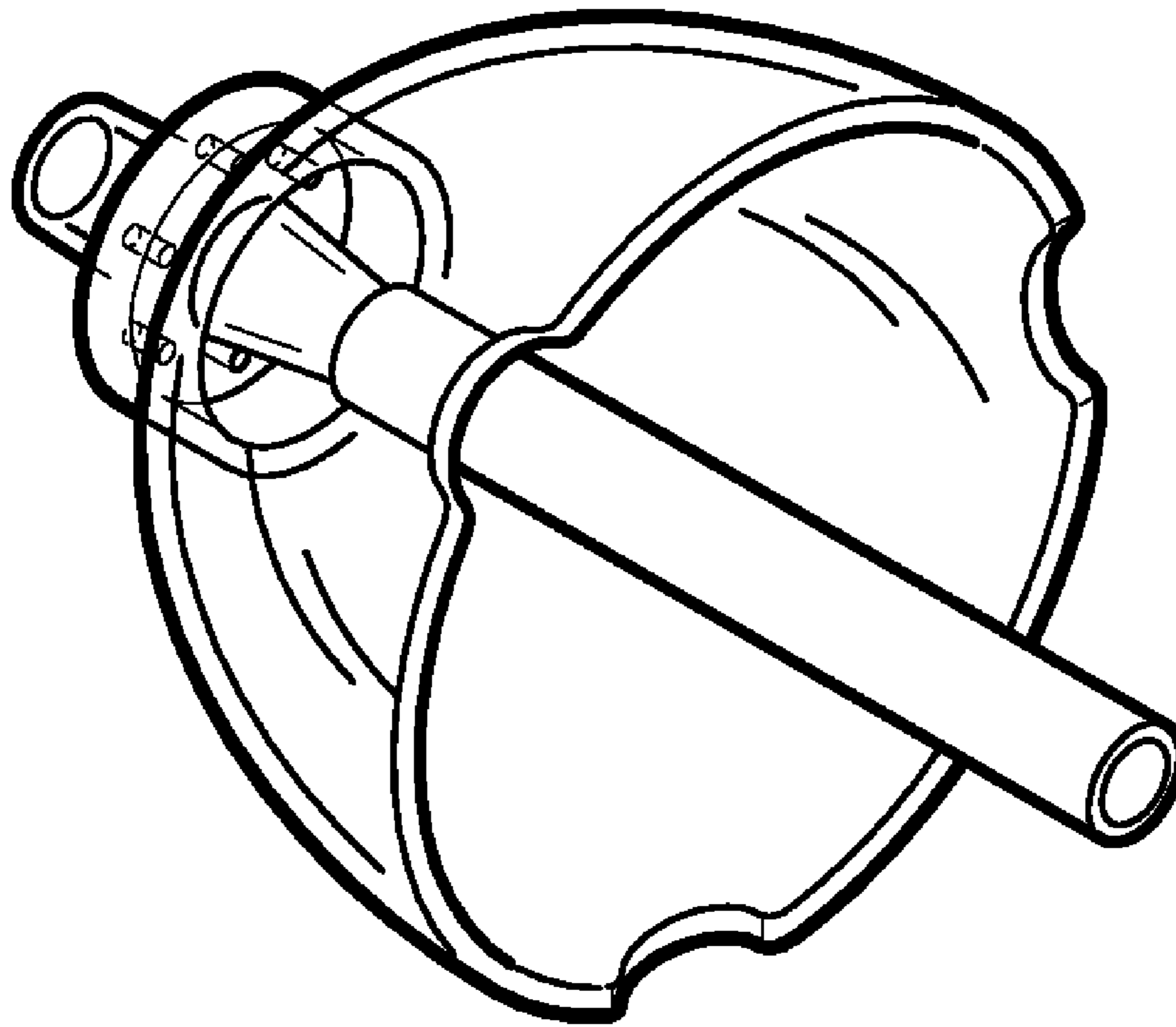
FIG. 3 is a right side elevational view thereof, the left side being a mirror image;

FIG. 4 is a bottom view thereof;

FIG. 5 is a rear view thereof; and,

FIG. 6 is a top view thereof.

1 Claim, 1 Drawing Sheet



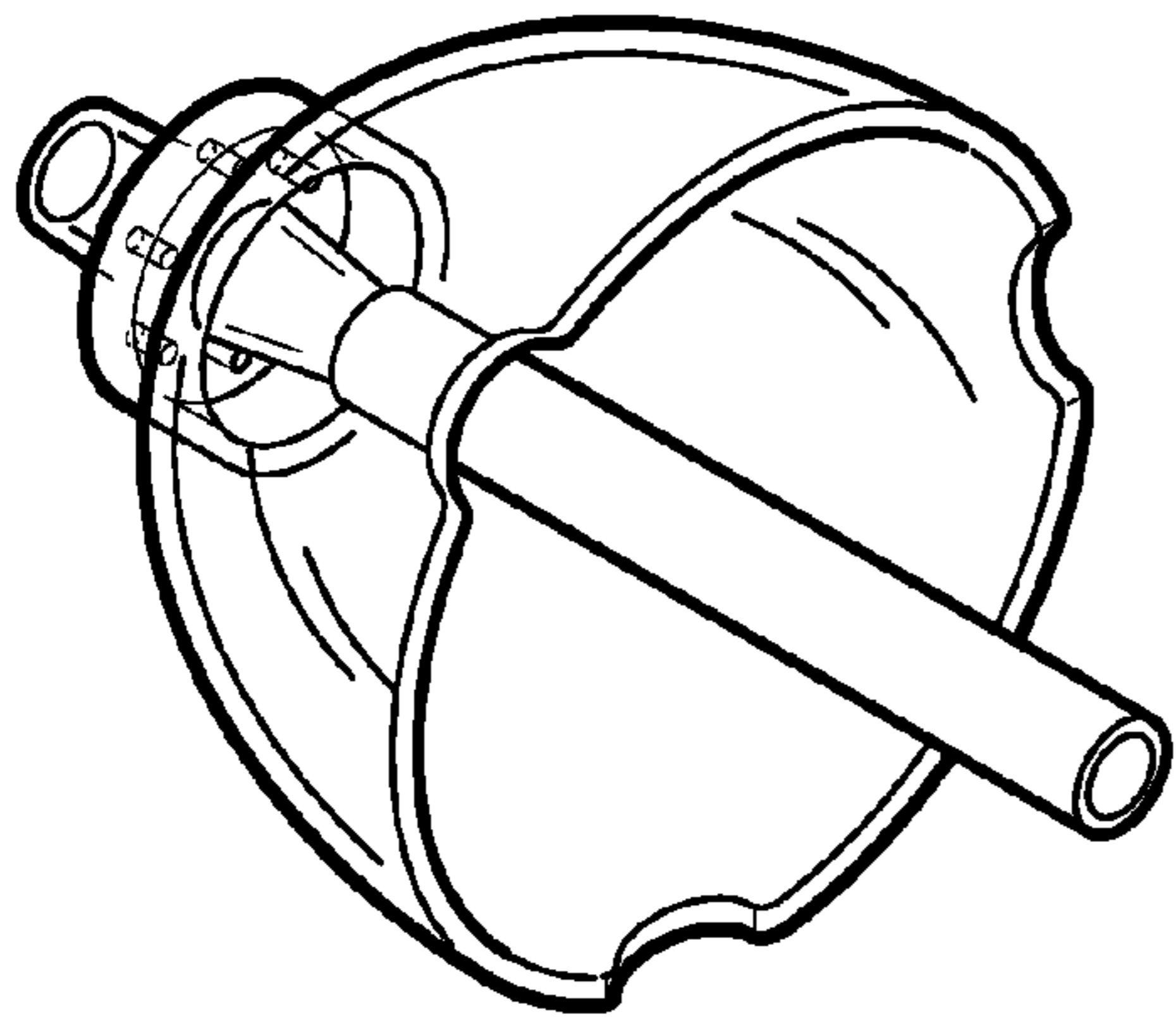


FIG. 1

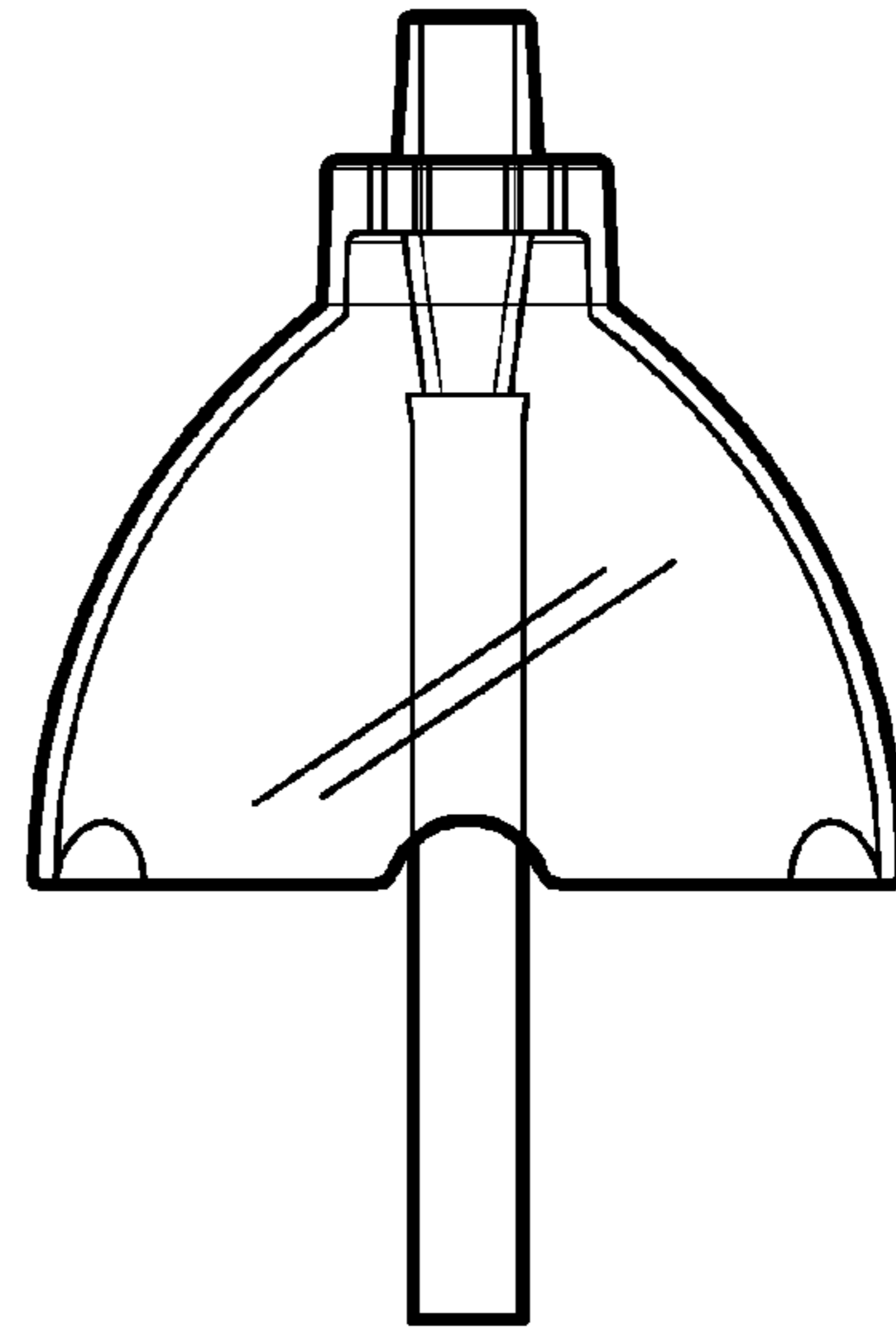


FIG. 2

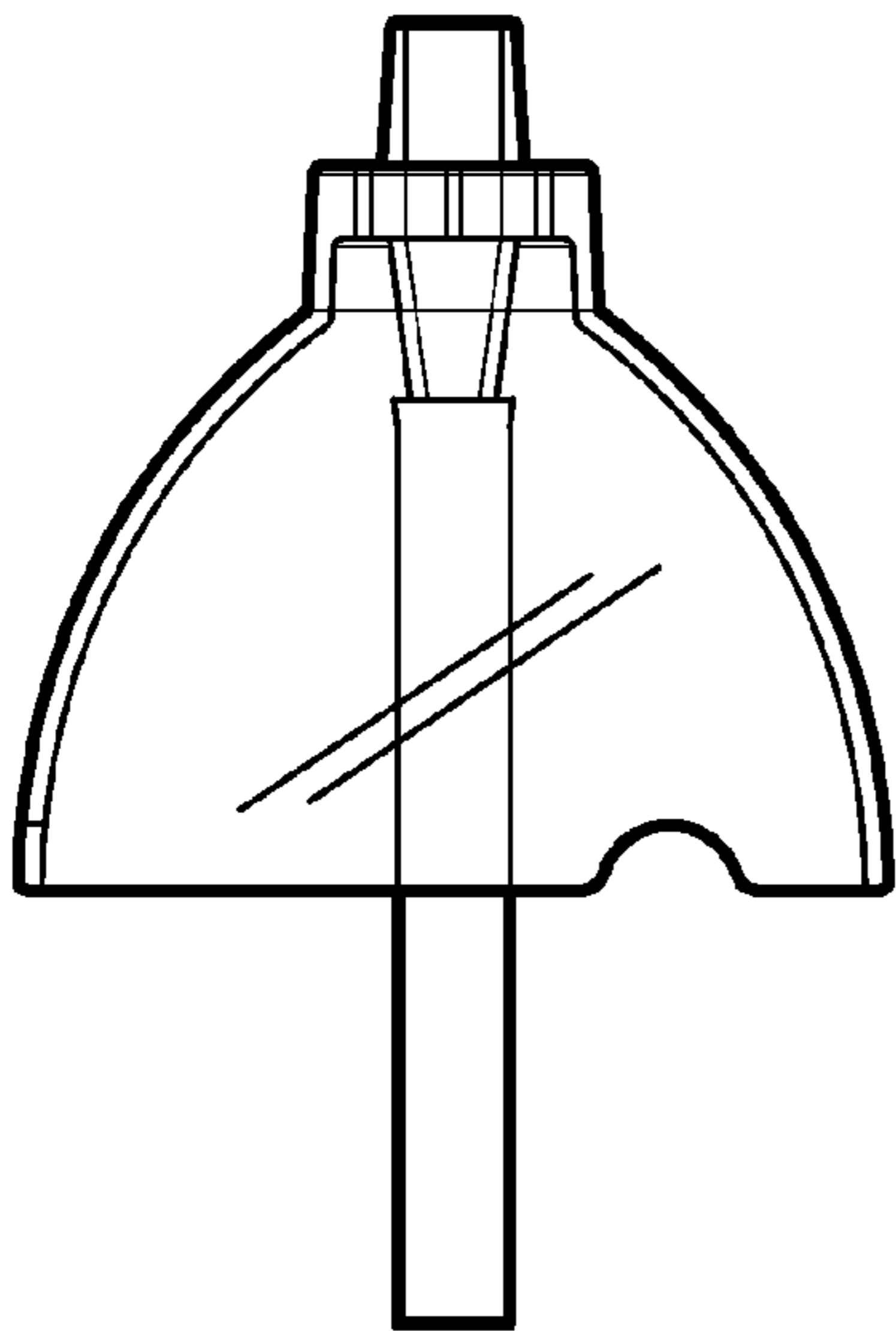


FIG. 3

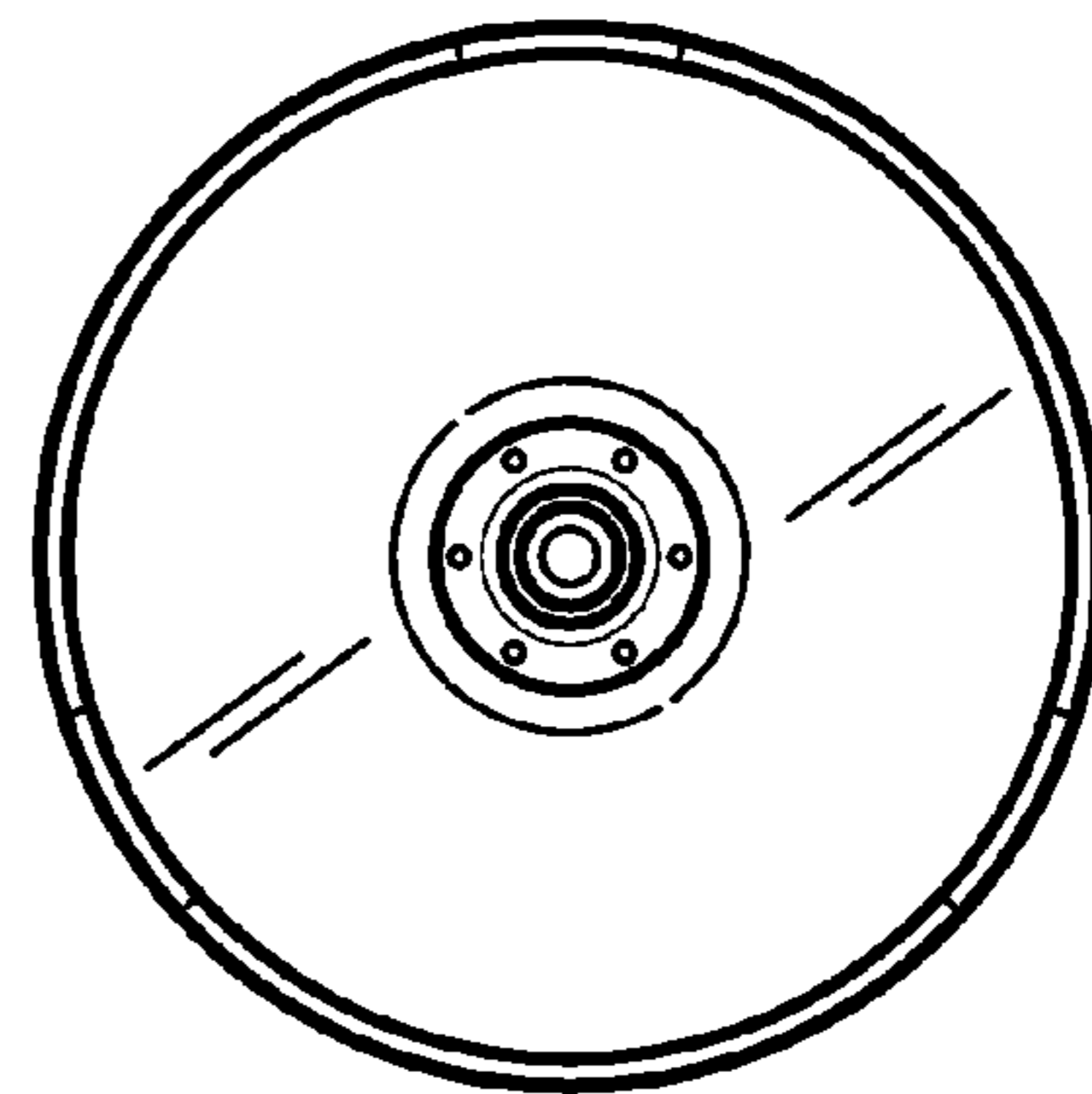


FIG. 4

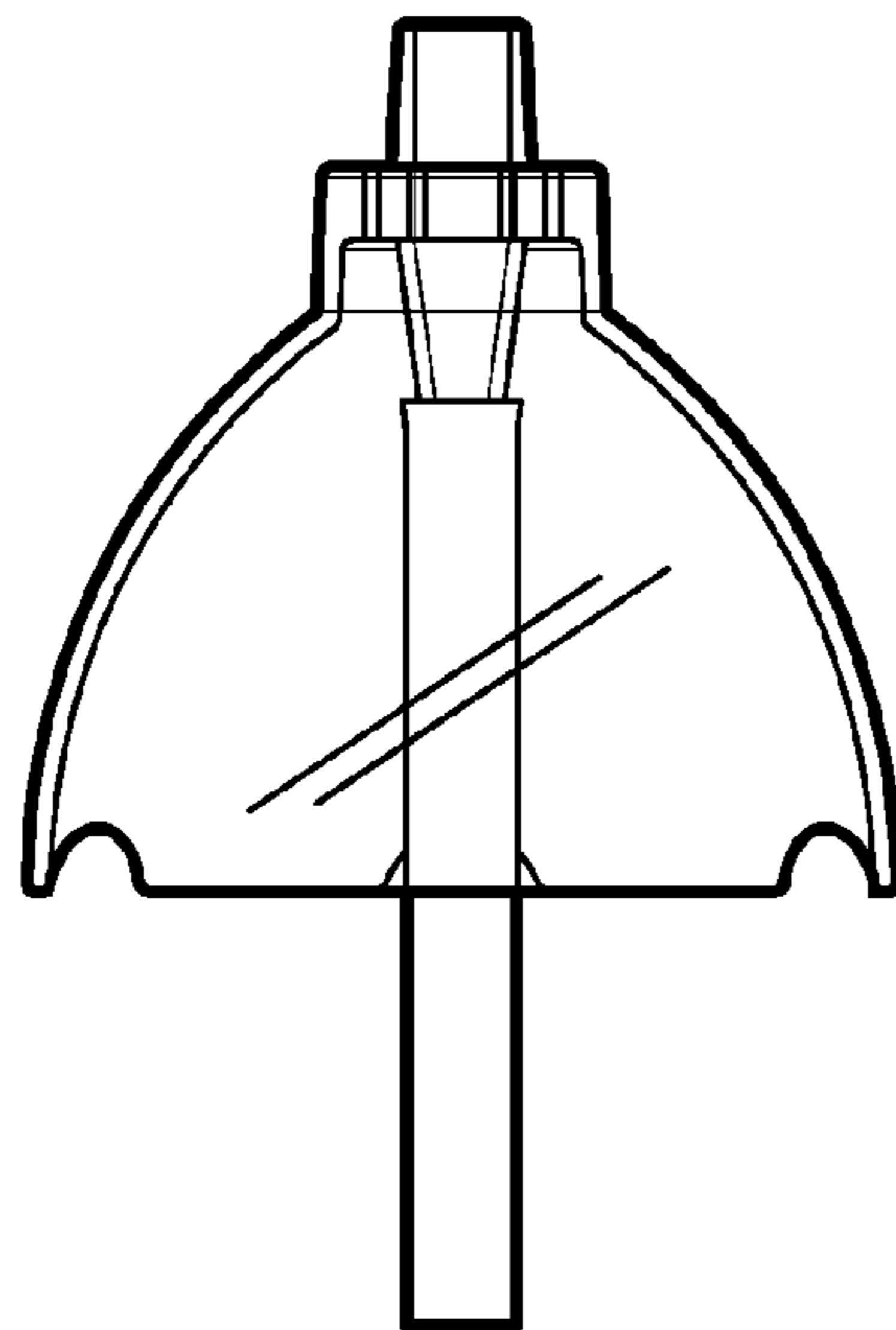


FIG. 5

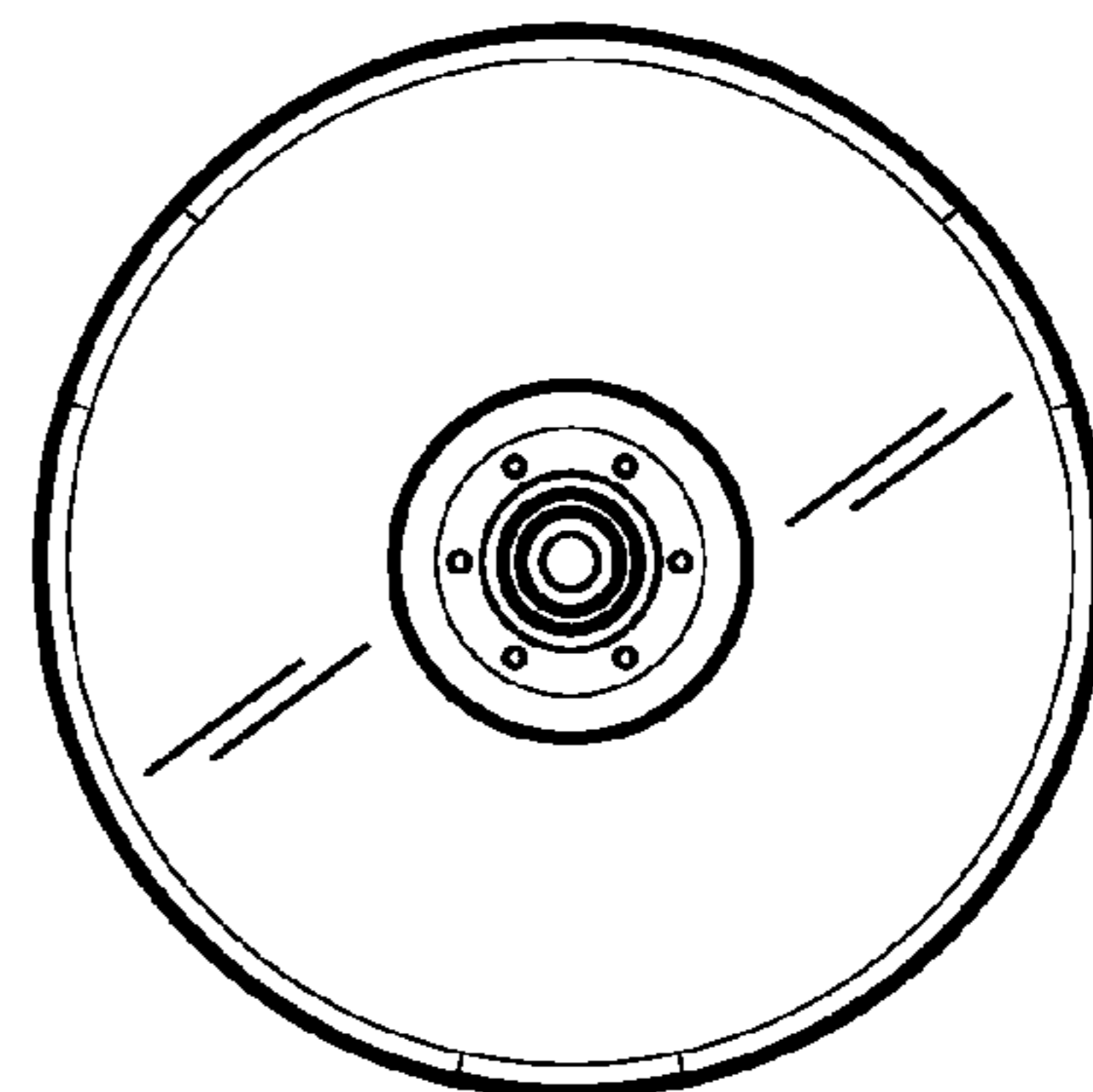


FIG. 6