

US00D639421S

(12) **United States Design Patent**
Sano et al.

(10) **Patent No.:** **US D639,421 S**

(45) **Date of Patent:** **** Jun. 7, 2011**

(54) **POURER FOR MEDICAL CONTAINER**

(75) Inventors: **Hiroaki Sano**, Osaka (JP); **Hajime Tsujikawa**, Osaka (JP); **Naoko Ishihara**, Osaka (JP)

(73) Assignee: **Nipro Corporation**, Osaka-Shi (JP)

(**) Term: **14 Years**

(21) Appl. No.: **29/338,525**

(22) Filed: **Jun. 12, 2009**

(30) **Foreign Application Priority Data**

Dec. 12, 2008 (JP) D2008-031587

(51) **LOC (9) Cl.** **24-02**

(52) **U.S. Cl.** **D24/118; D24/129**

(58) **Field of Classification Search** D9/708,
D9/709; D24/112, 113, 118, 127, 129; 215/321,
215/329; 220/802, DIG. 19, DIG. 20; 604/91,
604/246, 262, 248, 408, 414, 415
See application file for complete search history.

(56) **References Cited**

U.S. PATENT DOCUMENTS

480,785	A *	8/1892	Schan	604/182
4,280,498	A *	7/1981	Jensen	604/335
4,588,402	A *	5/1986	Igari et al.	604/408
4,632,267	A *	12/1986	Fowles et al.	215/253
4,903,855	A *	2/1990	Ducay et al.	220/802
D330,252	S *	10/1992	Barquist	D24/129

D341,187	S *	11/1993	Stachowiak	D23/233
5,259,843	A *	11/1993	Watanabe et al.	604/256
D402,366	S *	12/1998	Barney et al.	D24/118
5,944,709	A	8/1999	Barney et al.		
6,132,413	A *	10/2000	Mathias et al.	604/403
D435,653	S *	12/2000	Niedospial et al.	D24/129
6,156,025	A *	12/2000	Niedospial et al.	604/408
6,955,669	B2 *	10/2005	Curutcharry	604/415
7,207,970	B2 *	4/2007	Hasegawa	604/90
2008/0208159	A1 *	8/2008	Stanus et al.	604/408
2009/0270832	A1 *	10/2009	Vancaillie et al.	604/408
2010/0094242	A1 *	4/2010	Inoue et al.	604/408
2010/0249728	A1 *	9/2010	Kobashi et al.	604/262

* cited by examiner

Primary Examiner — Karen E Eldridge Powers

(74) *Attorney, Agent, or Firm* — Birch, Stewart, Kolasch & Birch, LLP

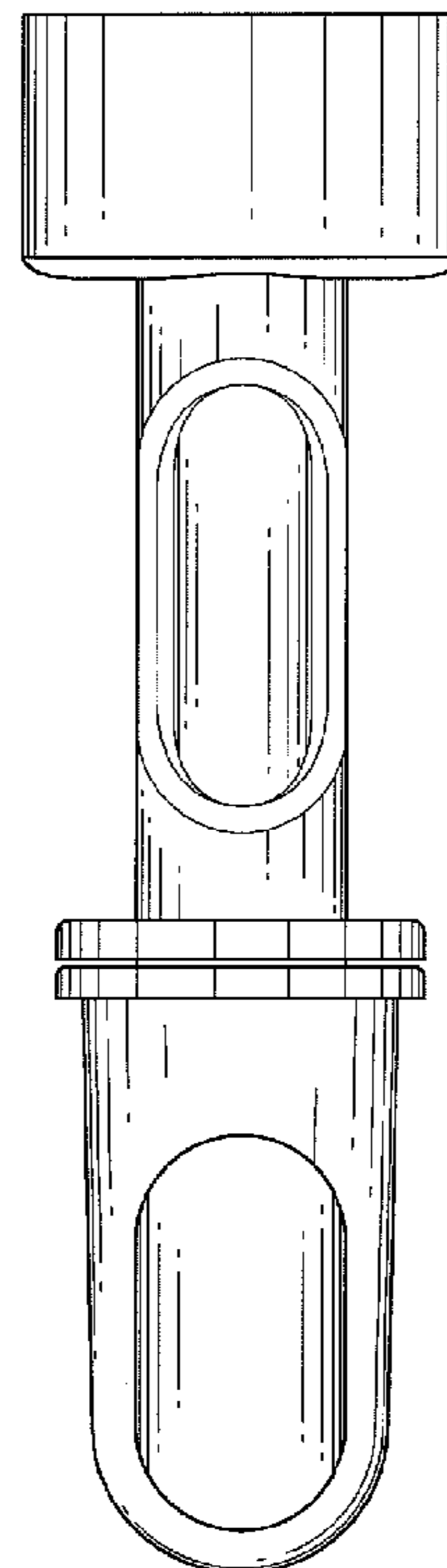
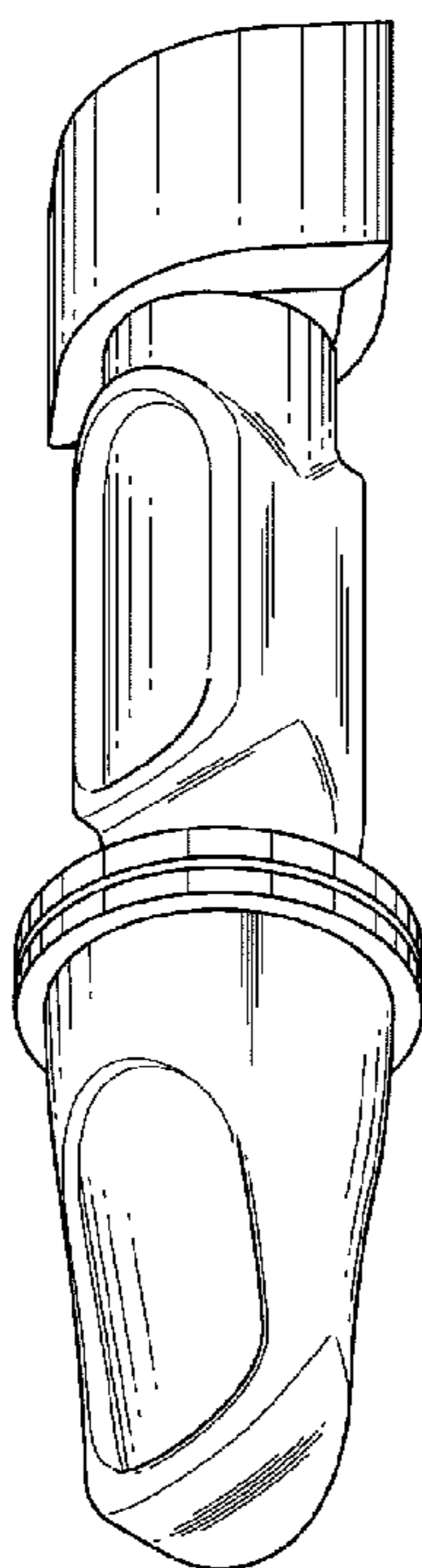
(57) **CLAIM**

The ornamental design for a pourer for medical container, as shown and described.

DESCRIPTION

FIG. 1 is a perspective view of a pourer for medical container; FIG. 2 is a front view thereof, the opposite side being an identical image of the side shown herein; FIG. 3 is a left side view thereof, the opposite side being an identical image of the side shown herein; FIG. 4 is a top view thereof; and, FIG. 5 is a bottom view thereof. The broken lines in FIG. 4 which define the bounds of the claimed design form no part thereof.

1 Claim, 2 Drawing Sheets



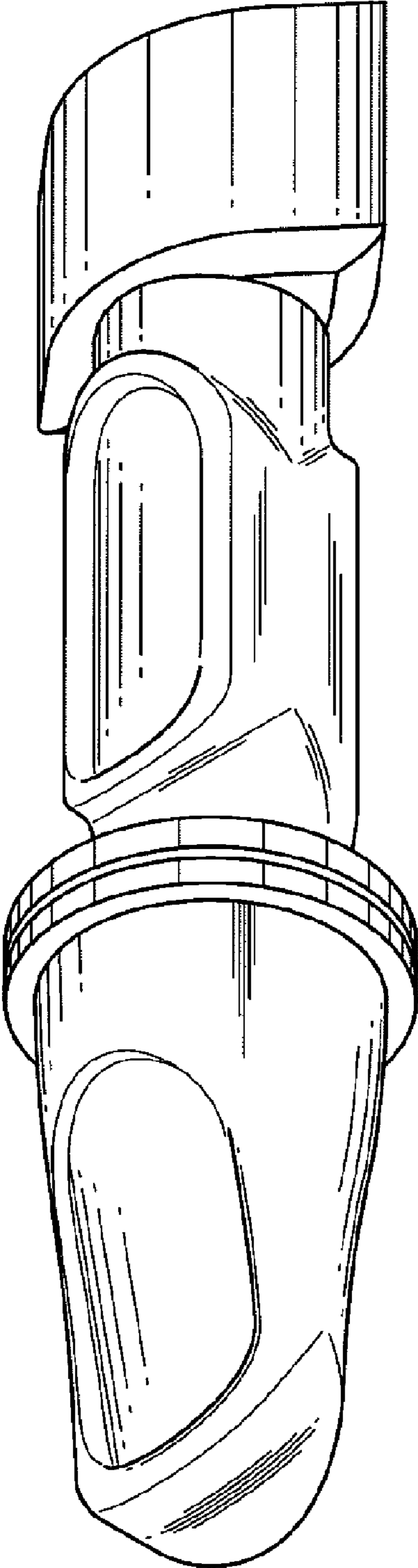


FIG.1

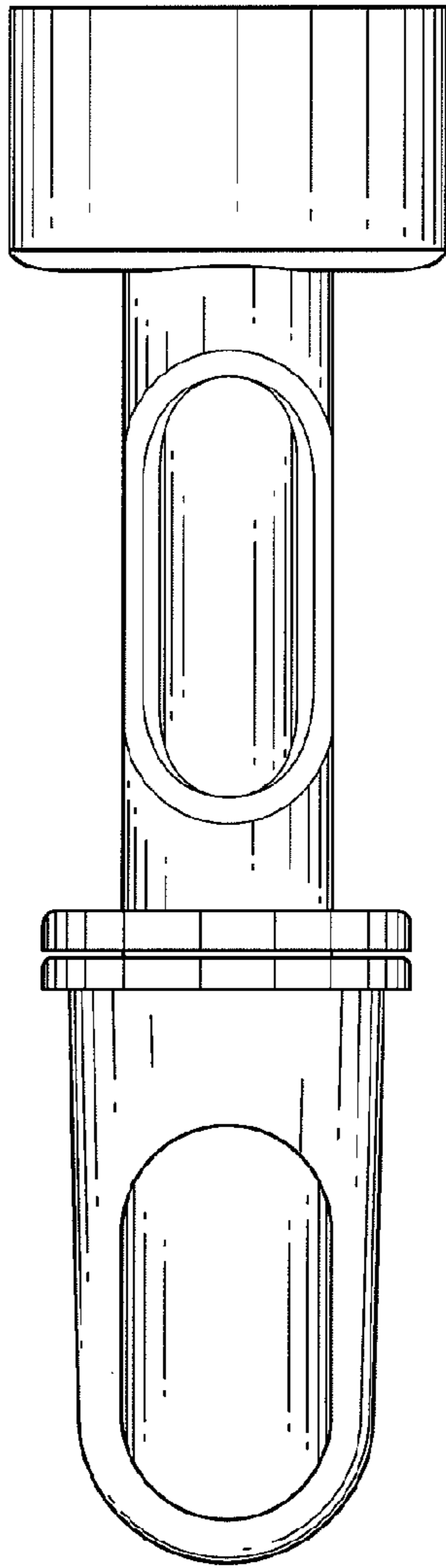


FIG.2

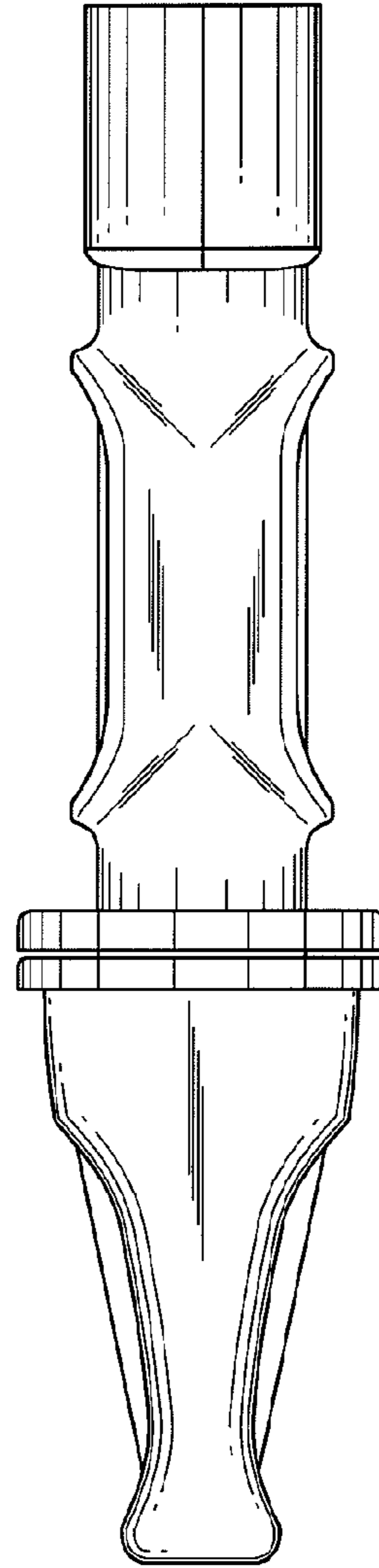


FIG.3

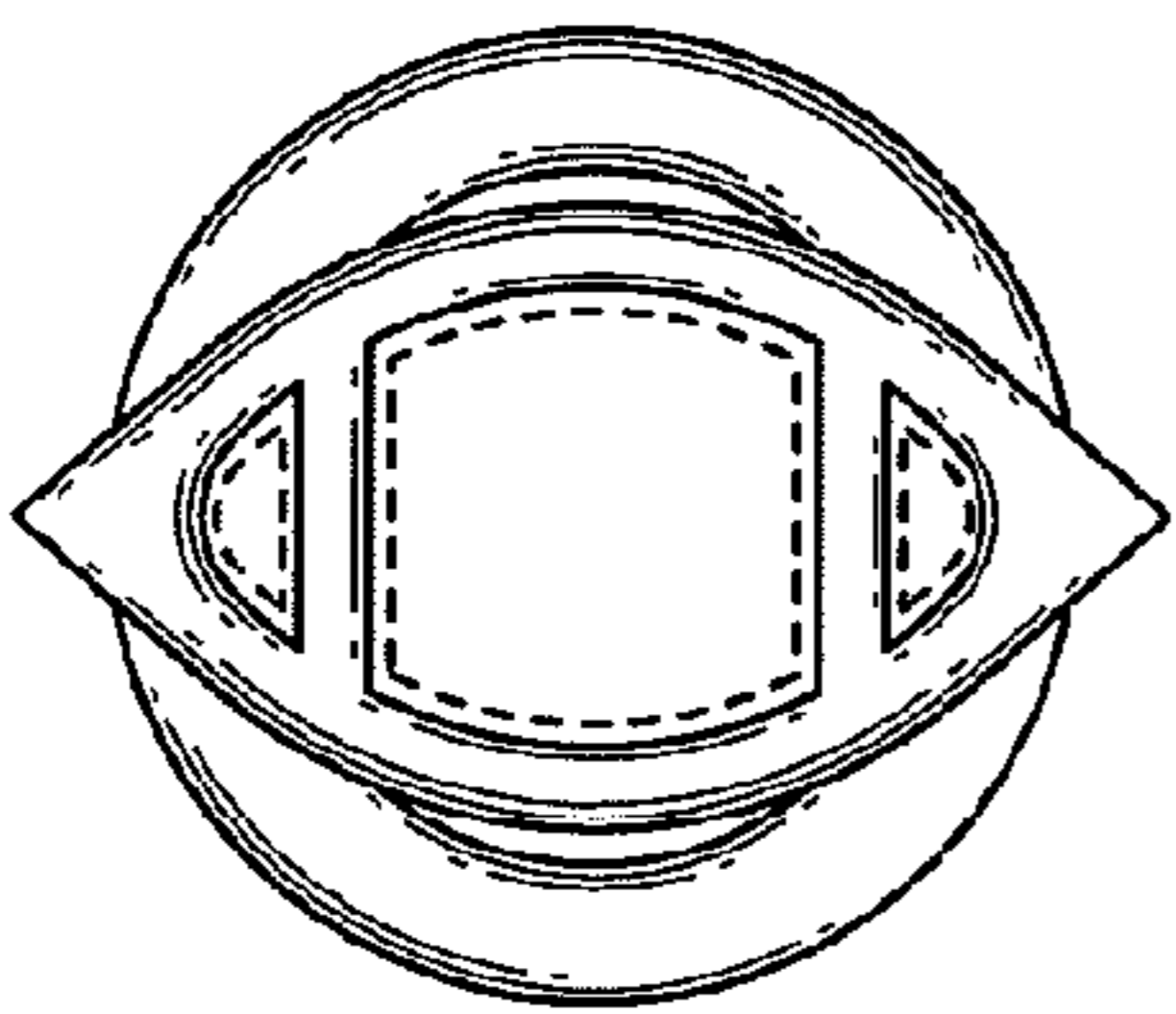


FIG.4

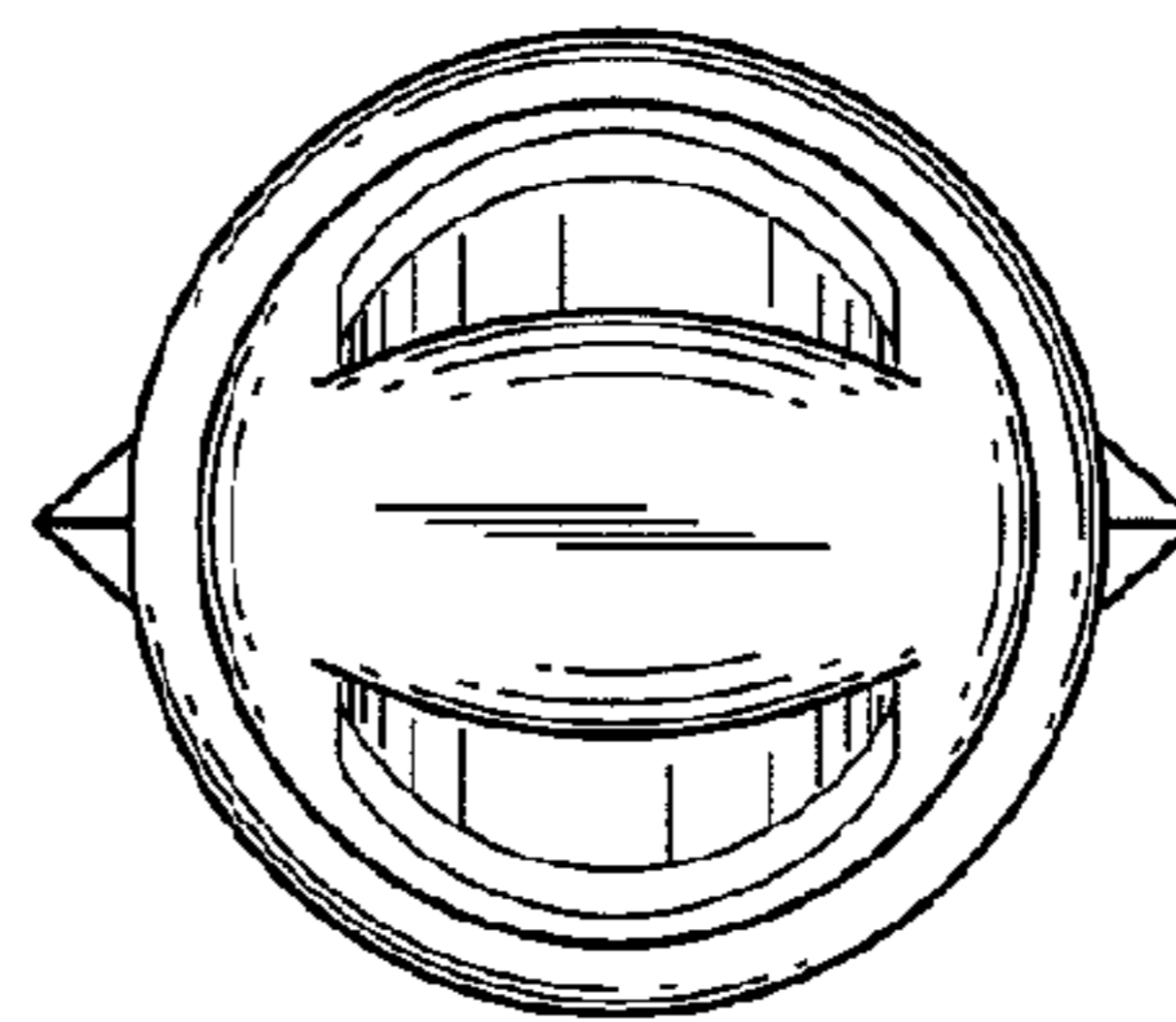


FIG.5