



US00D639416S

(12) **United States Design Patent**  
**Jones et al.**

(10) **Patent No.:** **US D639,416 S**

(45) **Date of Patent:** **\*\* \*Jun. 7, 2011**

(54) **INTERLOCKING VENT ASSEMBLY FOR  
EQUALIZING PRESSURE IN A  
COMPARTMENT**

D518,566 S \* 4/2006 Bratton et al. .... D23/388  
D520,620 S \* 5/2006 Wang ..... D23/365  
D521,146 S \* 5/2006 Rodriguez et al. .... D23/392

\* cited by examiner

(75) Inventors: **Timothy M. Jones**, Lake Stevens, WA  
(US); **Russell W. Keck**, Seattle, WA  
(US)

*Primary Examiner* — David Muller

(74) *Attorney, Agent, or Firm* — Farid Piroozmandi; Clifford  
G. Cousins

(73) Assignee: **The Boeing Company**, Chicago, IL  
(US)

(57) **CLAIM**

The ornamental design for an interlocking vent assembly for  
equalizing pressure in a compartment, as shown and  
described.

(\* ) Notice: This patent is subject to a terminal dis-  
claimer.

**DESCRIPTION**

(\*\*) Term: **14 Years**

(21) Appl. No.: **29/361,203**

(22) Filed: **May 6, 2010**

(51) **LOC (9) Cl.** ..... **23-04**

(52) **U.S. Cl.** ..... **D23/393**

(58) **Field of Classification Search** ..... D23/385–395,  
D23/397, 370–373, 365, 351, 354, 399–403;  
454/71, 69, 162, 309, 275–277, 284, 287–291,  
454/358–363; D12/345, 192; 422/124  
See application file for complete search history.

FIG. 1 is an illustration of a perspective view of an installed  
interlocking vent assembly for equalizing pressure in a com-  
partment;

FIG. 2 is an illustration of a side perspective view of an  
assembled and uninstalled interlocking vent assembly for  
equalizing pressure in a compartment;

FIG. 3 is an illustration of a top view of the interlocking vent  
assembly for equalizing pressure in a compartment, where the  
bottom view in an assembled configuration presents a 180  
degrees planar rotated view of the top view with no different  
feature between the top view and the bottom view;

FIG. 4 is an illustration of a longitudinal side view of the  
interlocking vent assembly for equalizing pressure in a com-  
partment;

FIG. 5 is an illustration of a top end side view of the inter-  
locking vent assembly for equalizing pressure in a compart-  
ment; and,

FIG. 6 is an illustration of a bottom end side view of the  
interlocking vent assembly for equalizing pressure in a com-  
partment.

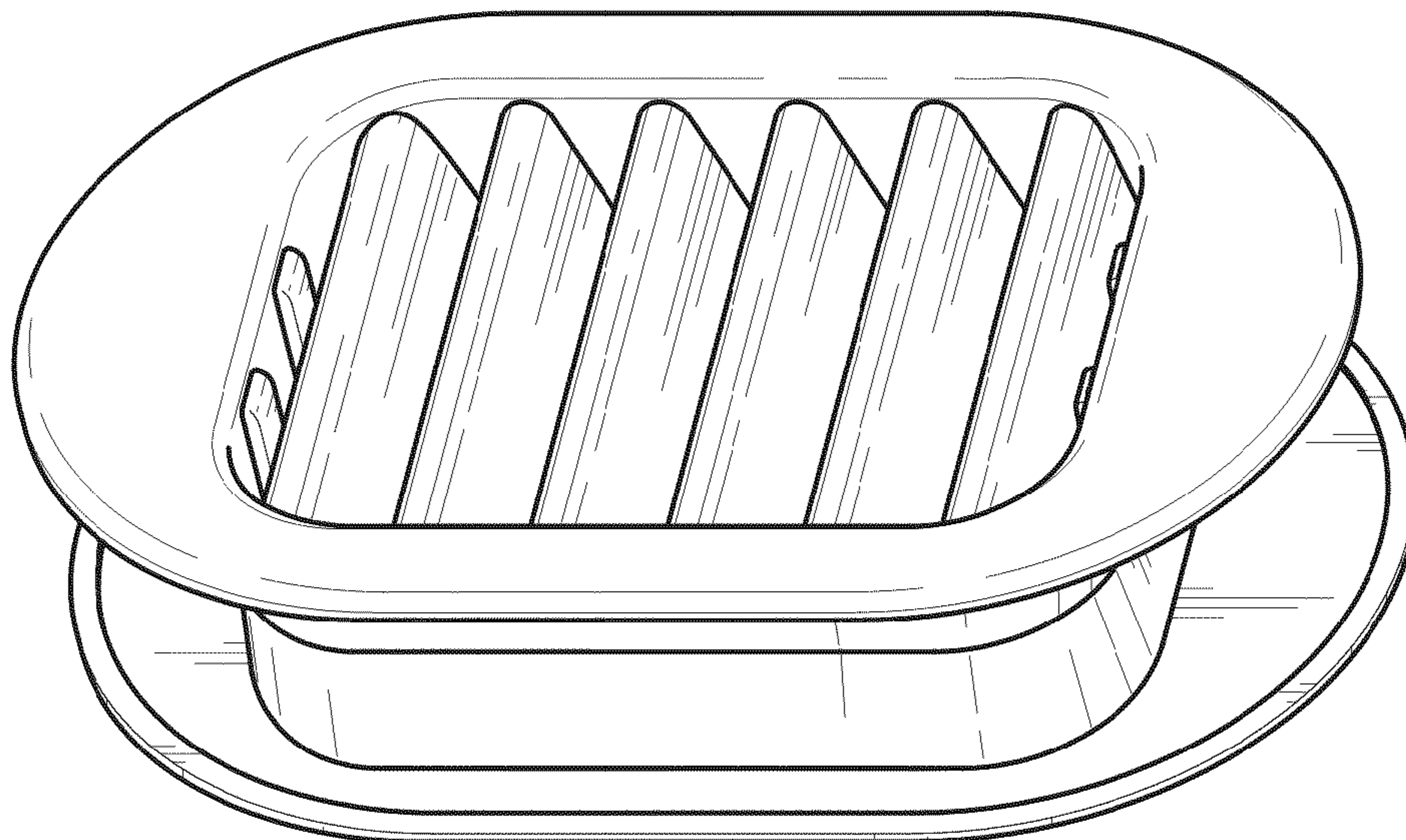
In the drawings, the broken line showing of parts of the  
drawings is included for the purpose of illustrating use and  
environment and form no part of the claimed design.

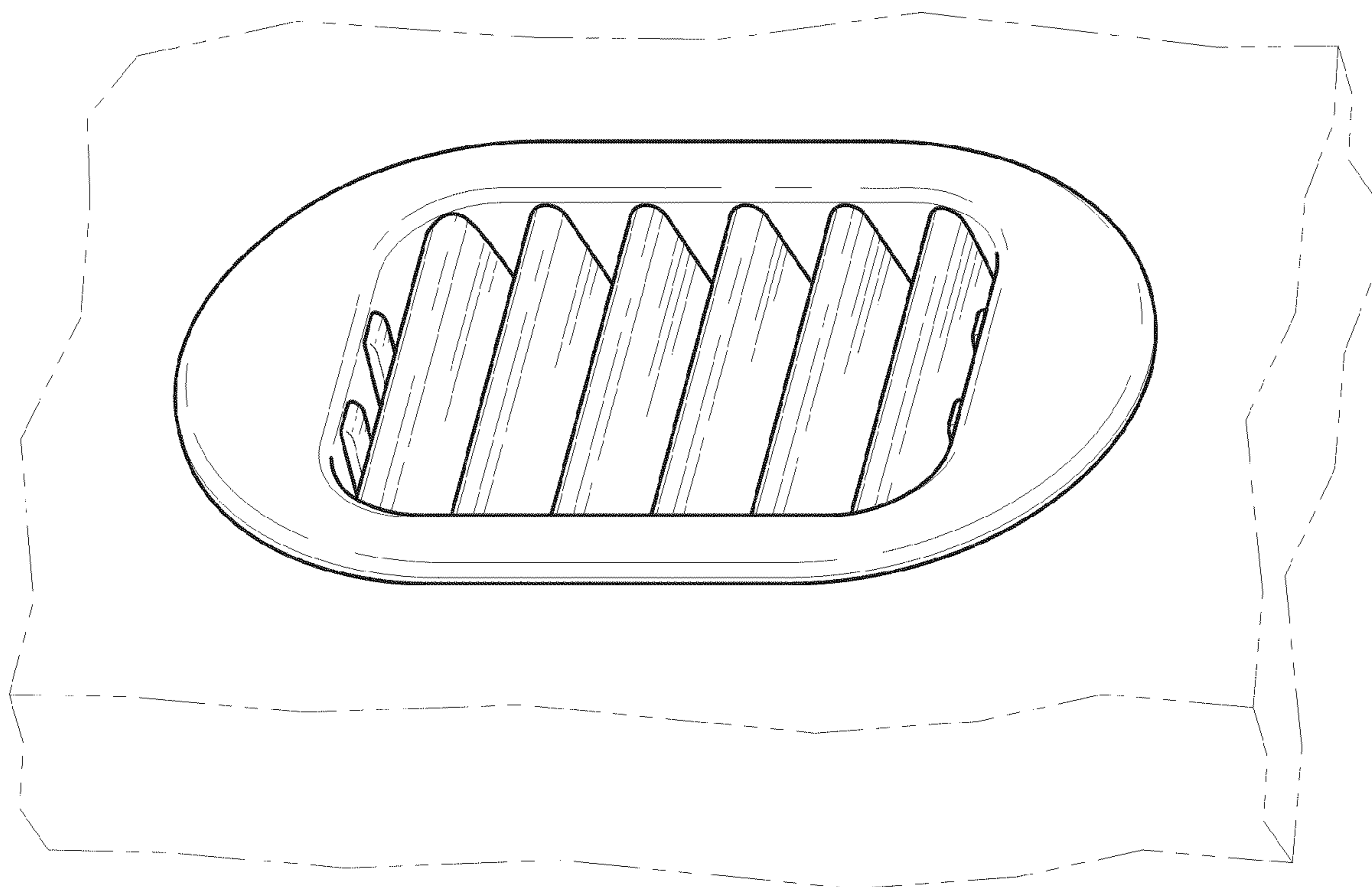
(56) **References Cited**

**U.S. PATENT DOCUMENTS**

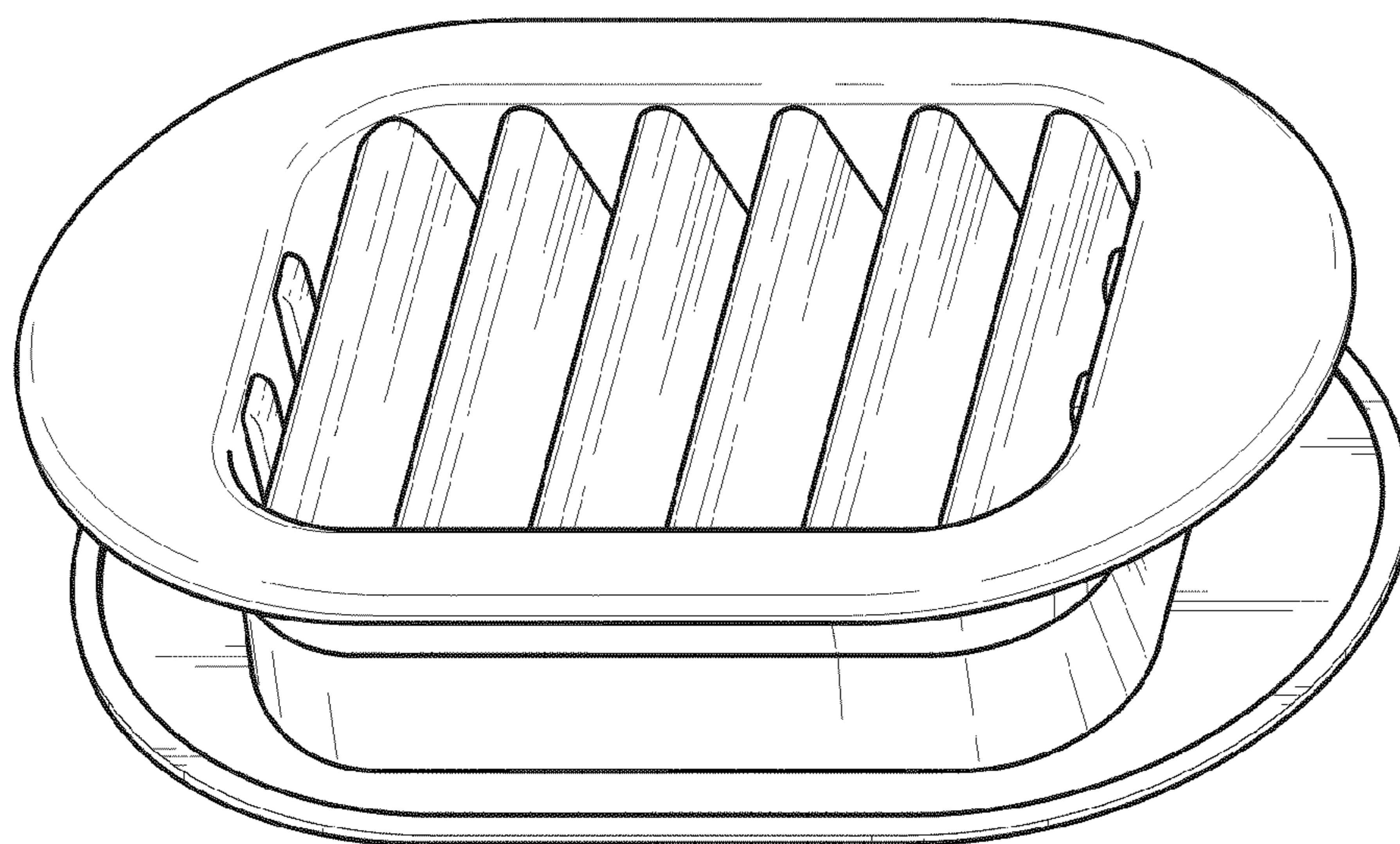
D146,133	S	*	12/1946	Gladen	.....	D12/345
3,968,738	A	*	7/1976	Matzke	.....	454/309
D298,853	S	*	12/1988	Waltz et al.	.....	D23/387
D351,903	S	*	10/1994	Whitley, II	.....	D23/388
5,368,822	A	*	11/1994	McNeil	.....	422/124
5,419,739	A	*	5/1995	Lewis	.....	454/162
D362,059	S	*	9/1995	Wojcik	.....	D23/393
5,823,870	A	*	10/1998	Emerling et al.	.....	454/162
6,165,419	A	*	12/2000	Bullock et al.	.....	422/124
D466,605	S	*	12/2002	Ziegler	.....	D23/393

**1 Claim, 2 Drawing Sheets**

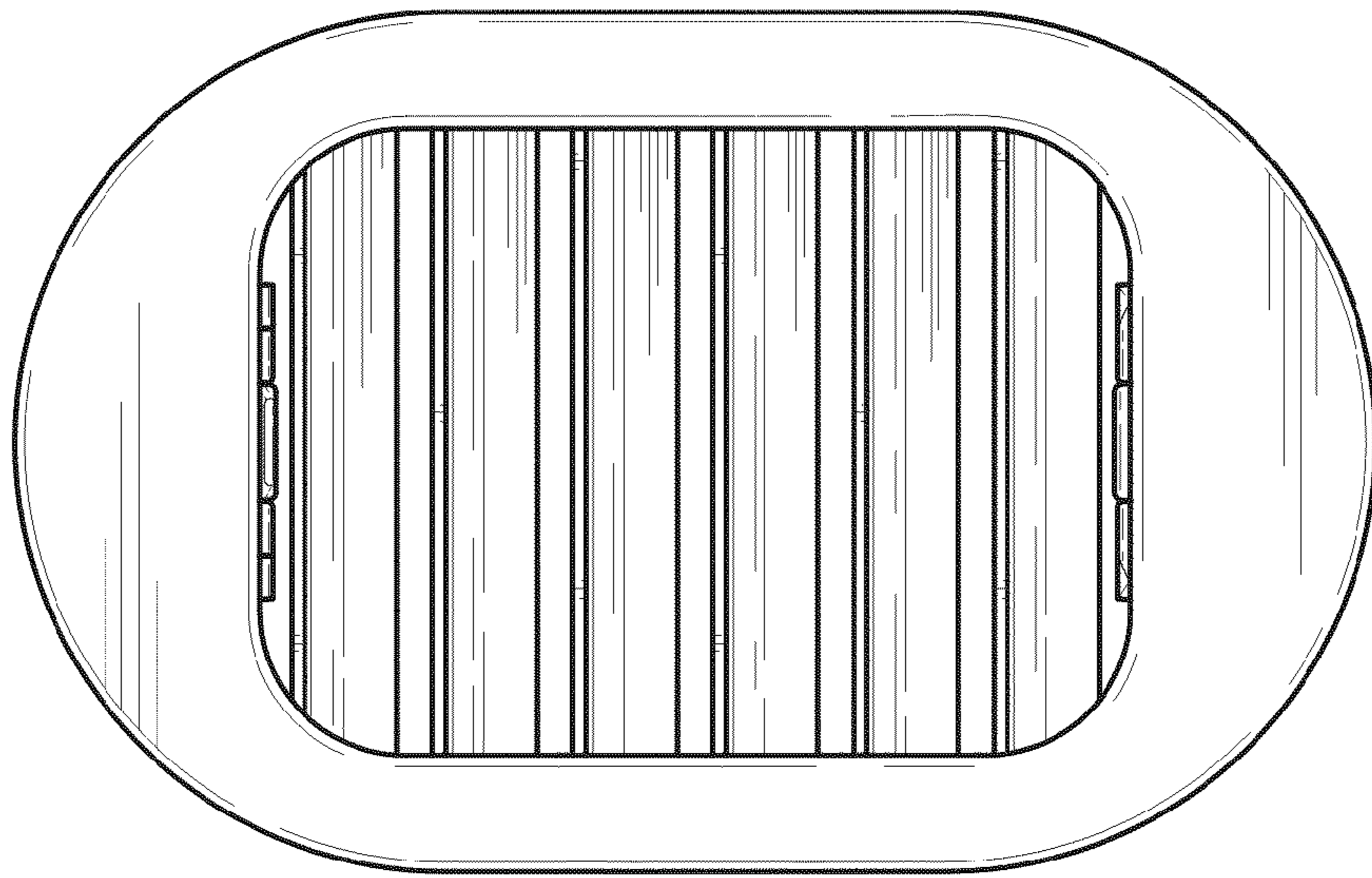




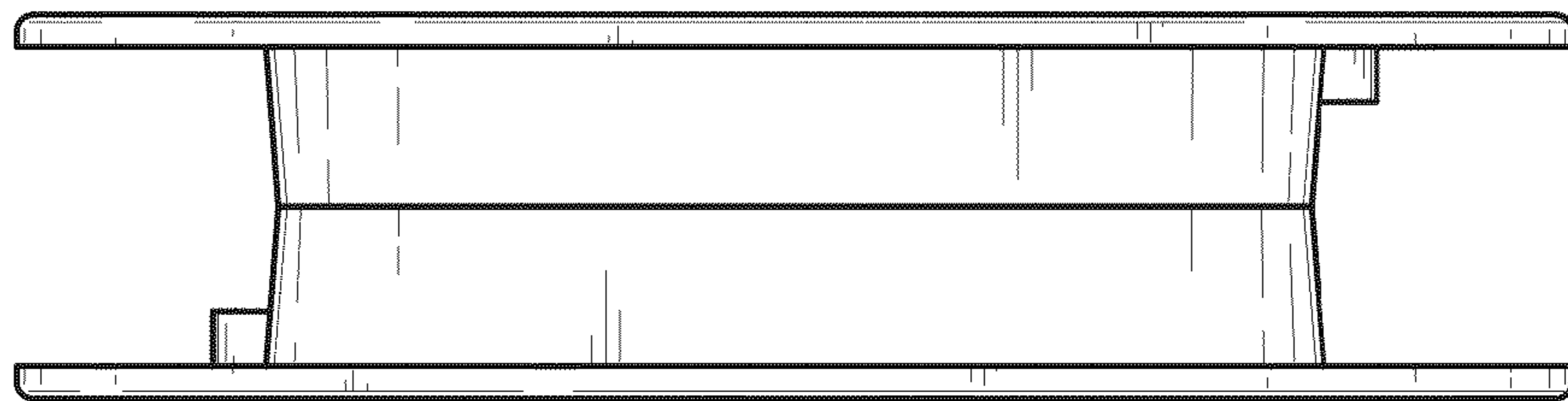
*Fig. 1*



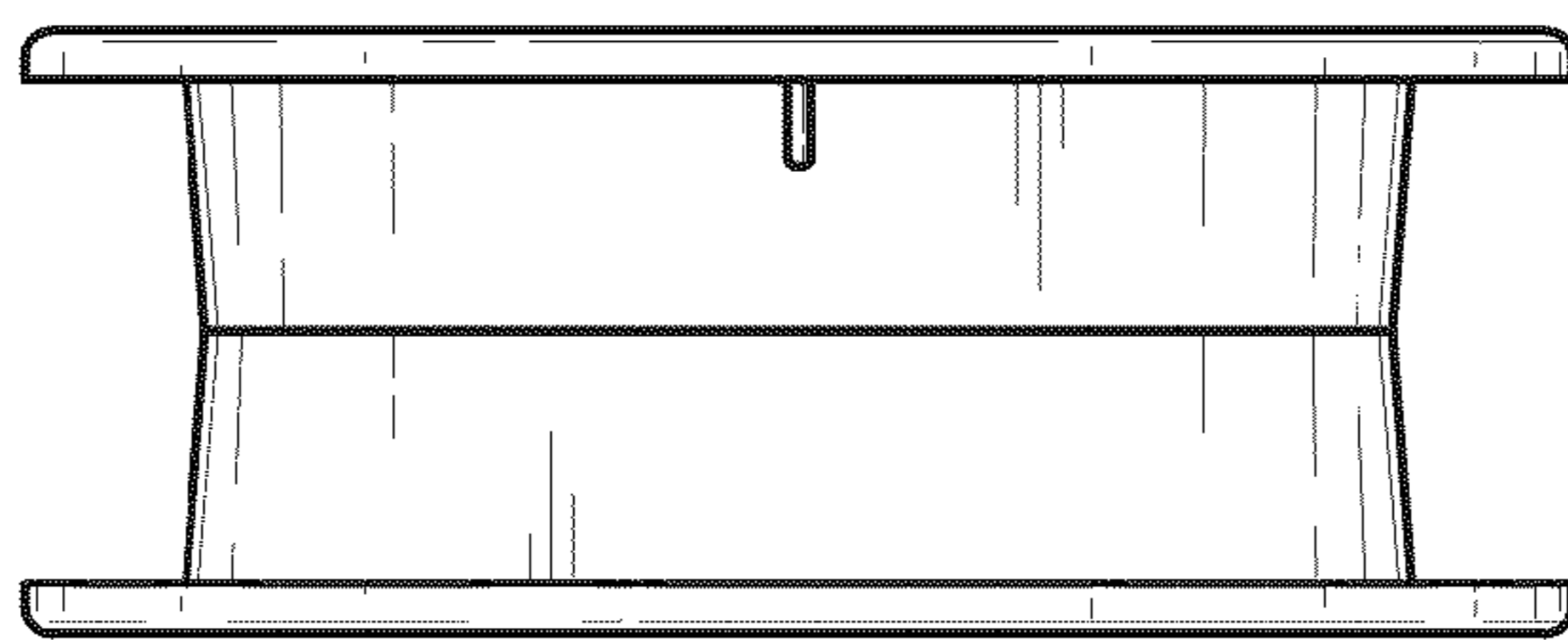
*Fig. 2*



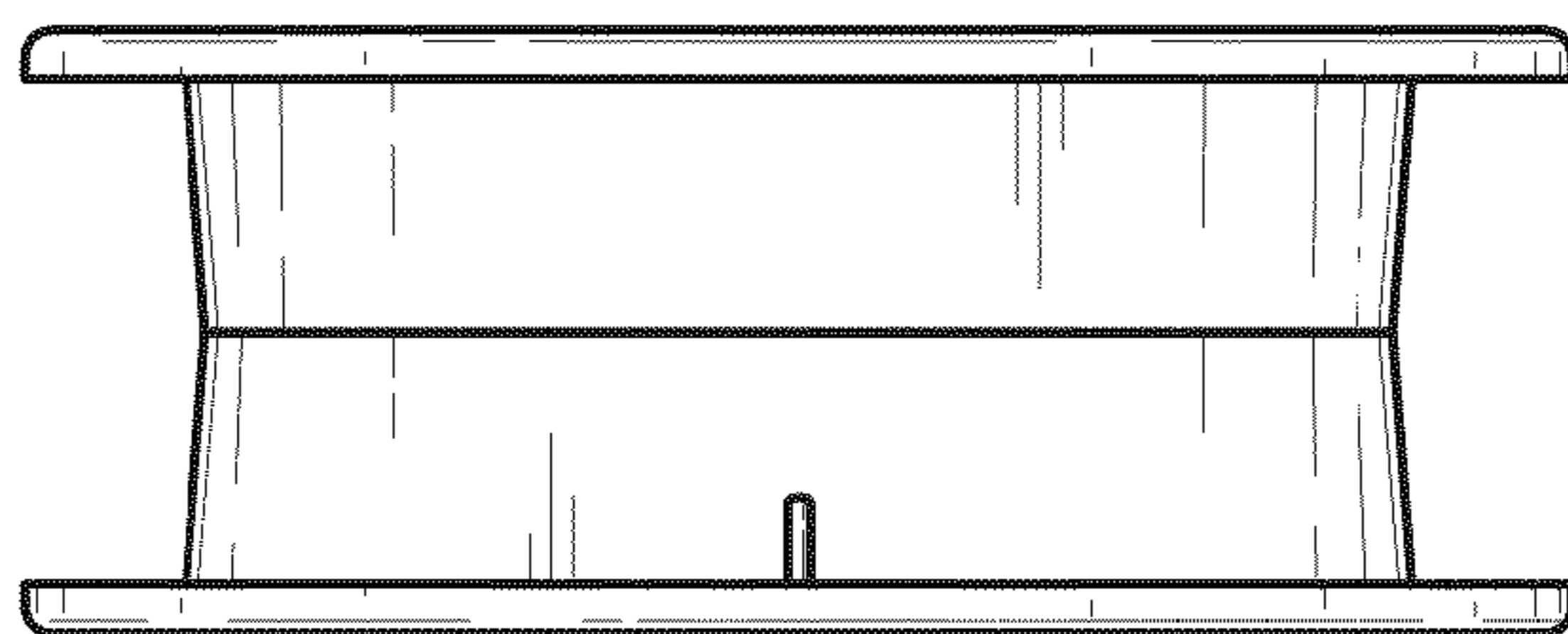
*Fig. 3*



*Fig. 4*



*Fig. 5*



*Fig. 6*