



US00D639415S

(12) **United States Design Patent**  
**Dag**

(10) **Patent No.:** **US D639,415 S**

(45) **Date of Patent:** **\*\* \*Jun. 7, 2011**

(54) **COMBINATION CEILING FAN AND LIGHT  
FIXTURE, COMBINING UPPER AND  
DOWNWARD LIGHTING**

(76) Inventor: **Stefan Albrecht Dag**, Carbondale, CO  
(US)

(\* ) Notice: This patent is subject to a terminal dis-  
claimer.

(\*\*) Term: **14 Years**

(21) Appl. No.: **29/271,061**

(22) Filed: **Jan. 6, 2007**

(51) **LOC (9) Cl.** ..... **23-04**

(52) **U.S. Cl.** ..... **D23/377**

(58) **Field of Classification Search** ..... D23/377,  
D23/379, 385, 411, 413; 416/5; D26/59,  
D26/81-86, 71, 72; 362/96

See application file for complete search history.

(56) **References Cited**

**U.S. PATENT DOCUMENTS**

D246,399 S *	11/1977	Harris	.....	D26/84
4,550,363 A *	10/1985	Sandell	.....	362/351
4,551,794 A *	11/1985	Sandell	.....	362/392
D518,164 S *	3/2006	Hidalgo	.....	D23/411
D534,268 S *	12/2006	Young	.....	D23/377
D537,187 S *	2/2007	Lucatello	.....	D26/84

\* cited by examiner

*Primary Examiner* — Lisa P Lichtenstein

(74) *Attorney, Agent, or Firm* — Maier & Maier, PLLC

(57) **CLAIM**

The ornamental design for a combination ceiling fan and light fixture, combining upper and downward lighting, as shown and described.

**DESCRIPTION**

FIG. 1 is a bottom isometric view of a combination ceiling fan and light fixture, combining upper and downward lighting, showing my design;

FIG. 2 is a reduced top orthographic view thereof;

FIG. 3 is a front orthographic view thereof, the rear and side orthographic views being the same as the front orthographic view;

FIG. 4 is a top isometric view thereof;

FIG. 5 is a reduced top isometric view of a combination ceiling fan and light fixture, combining upper and downward lighting, without the cylindrical portions;

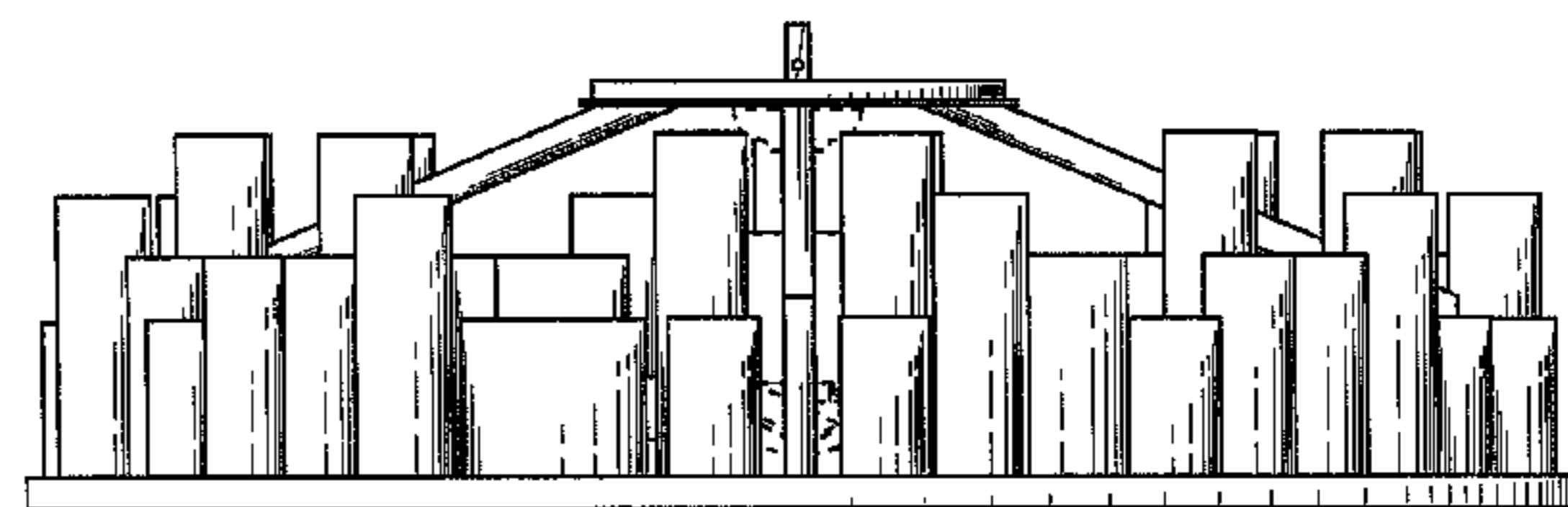
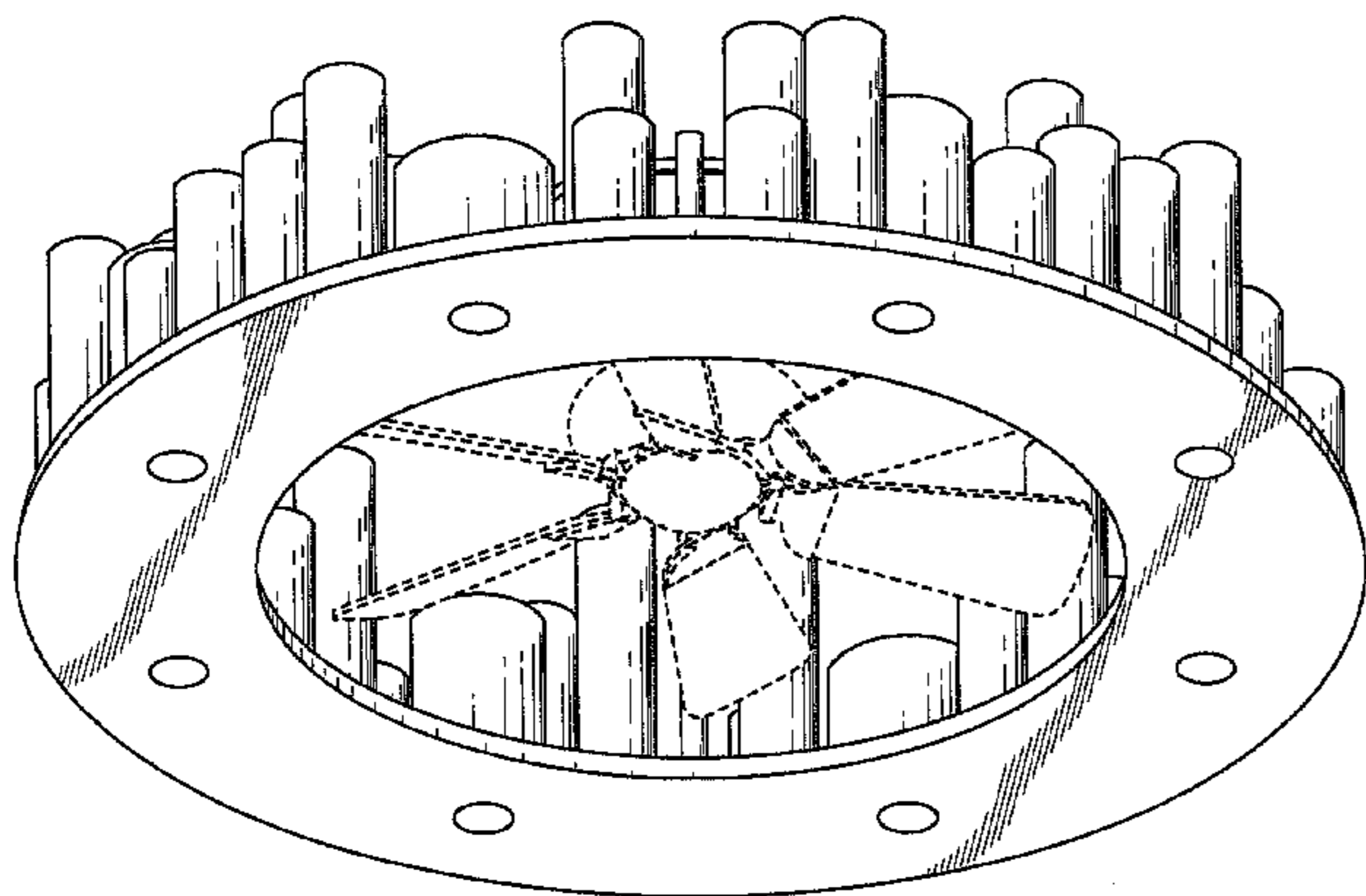
FIG. 6 is a reduced top orthographic view thereof;

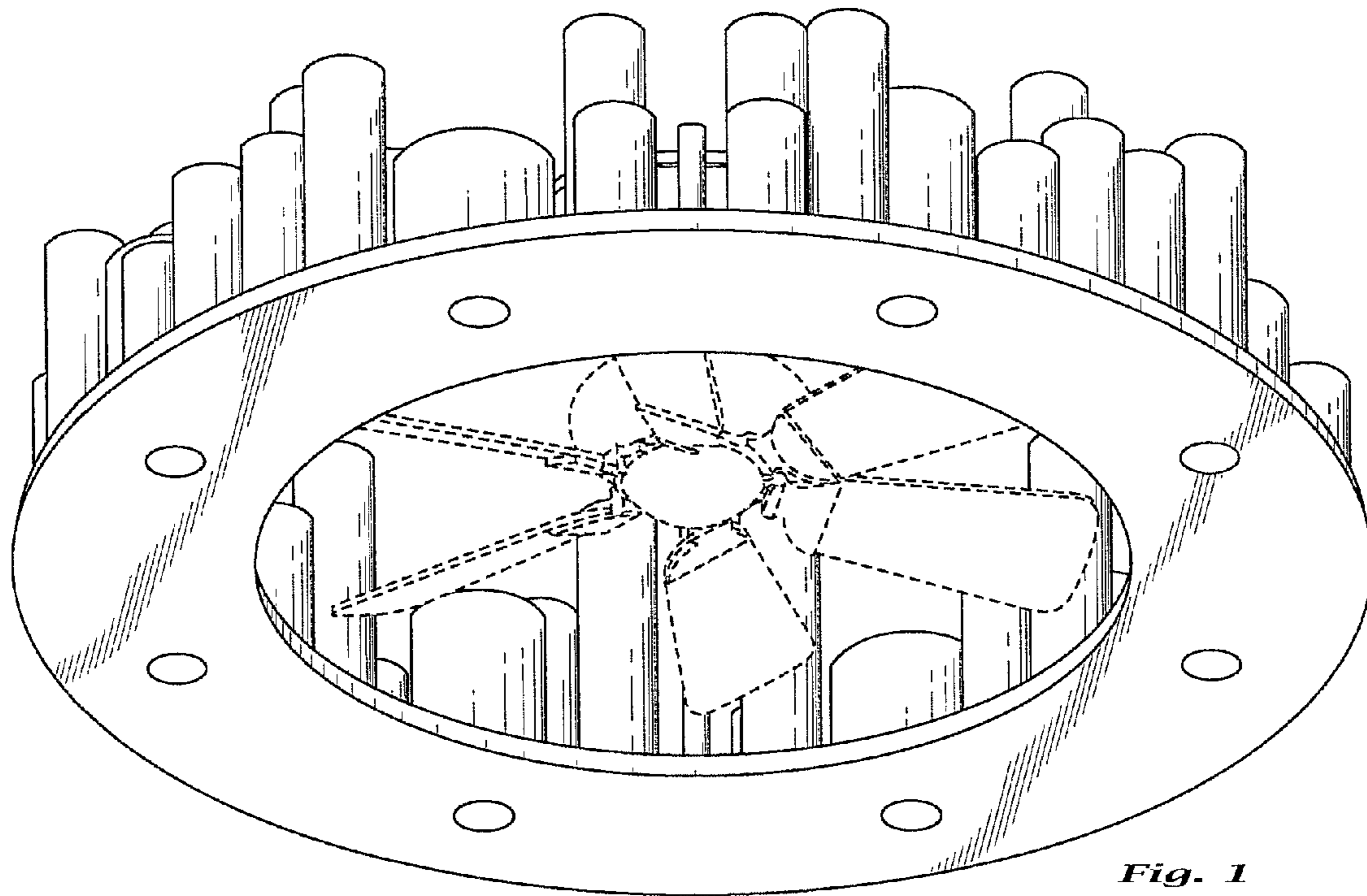
FIG. 7 is a front orthographic view thereof, the rear and side orthographic views being the same as the front orthographic view; and,

FIG. 8 is a bottom isometric view thereof.

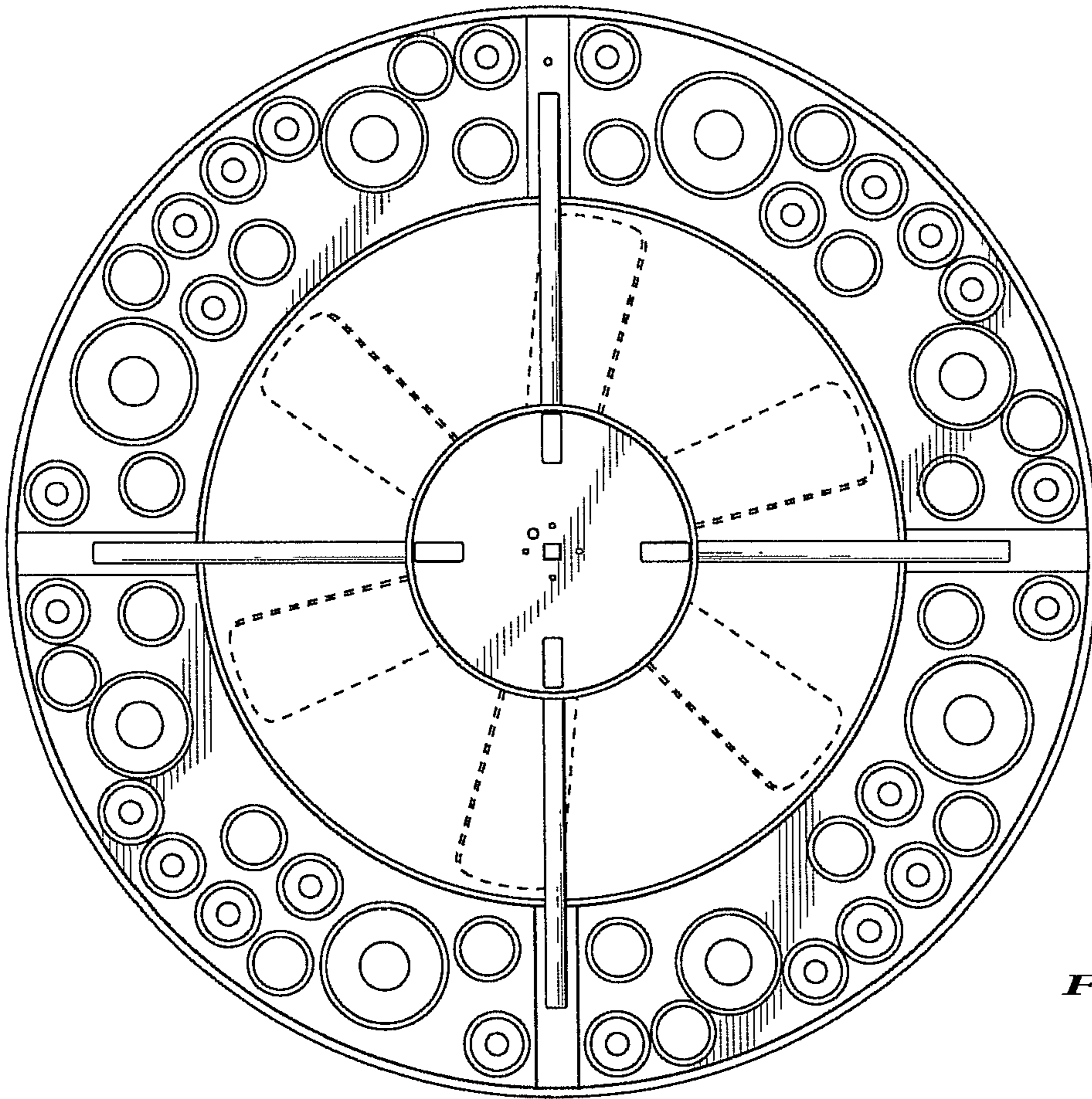
The broken line showing of a ceiling fan is included for the purpose of illustrating environmental structure and forms no part of the claimed design.

**1 Claim, 8 Drawing Sheets**

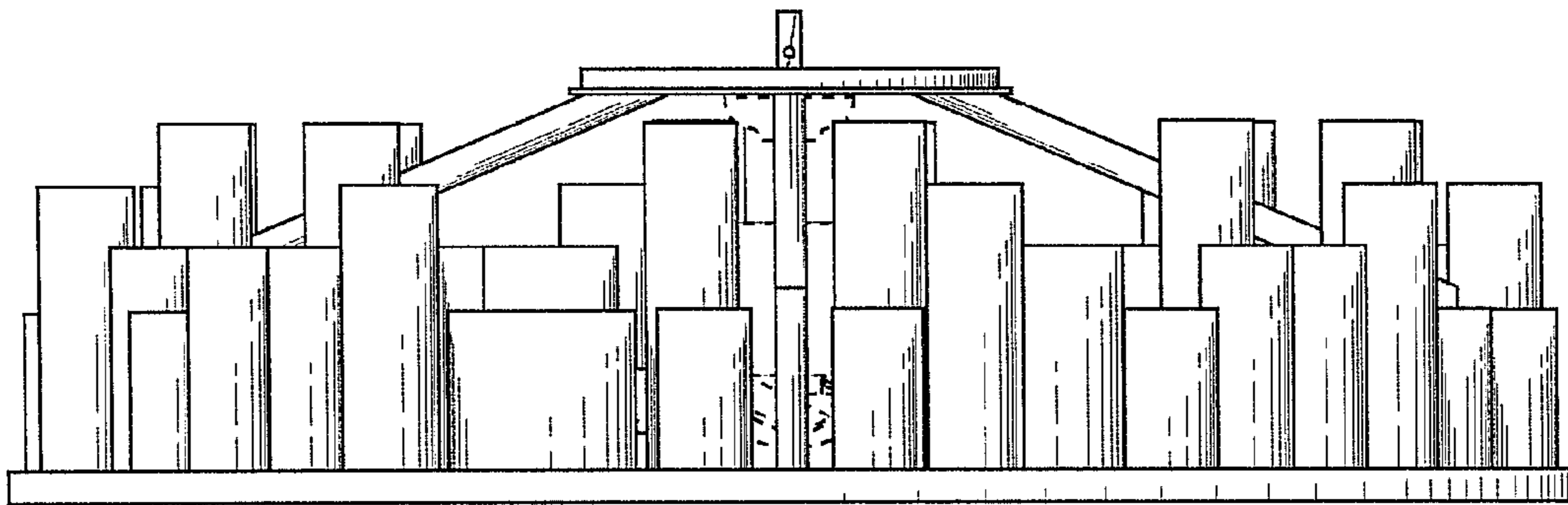




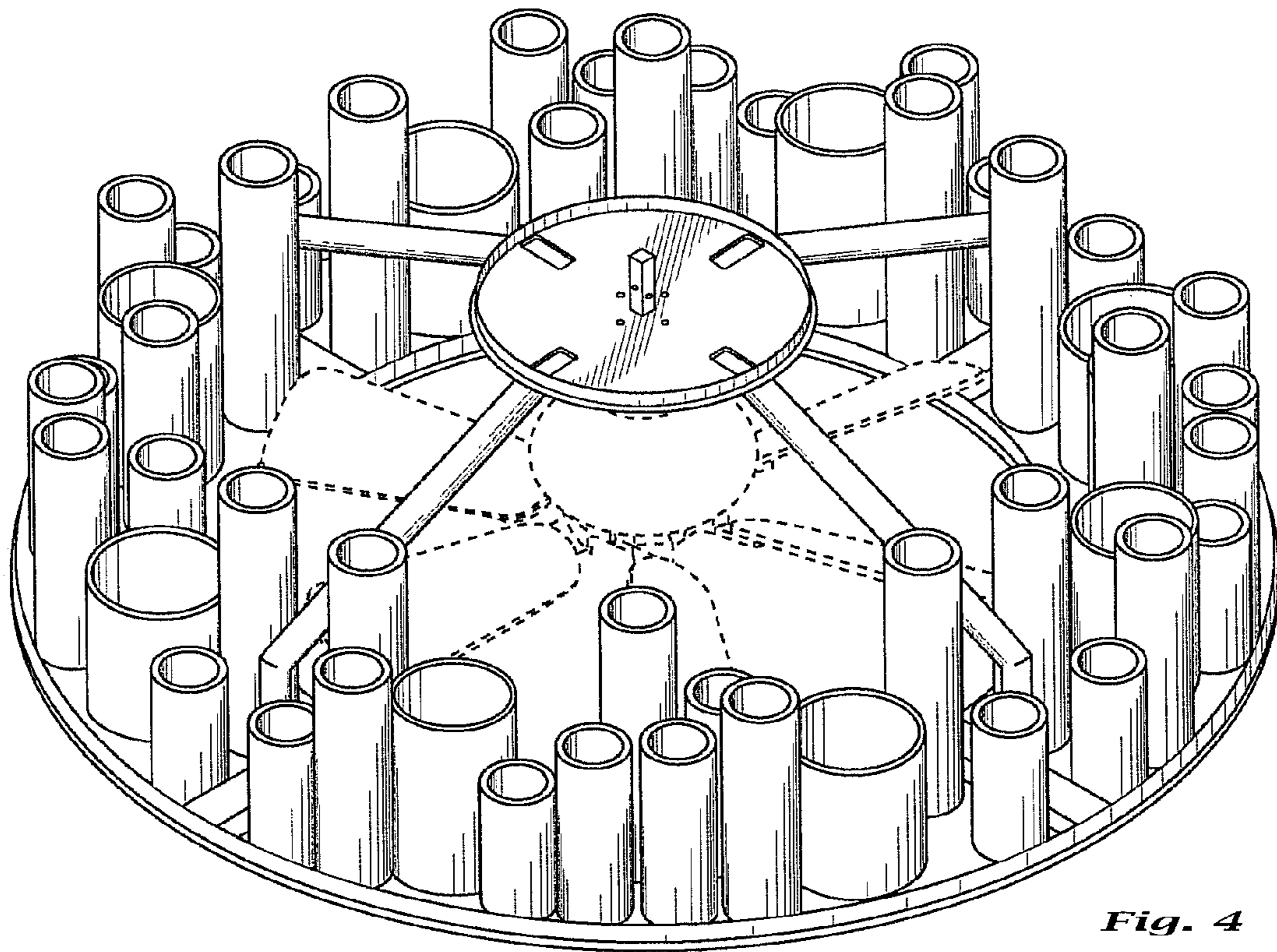
*Fig. 1*



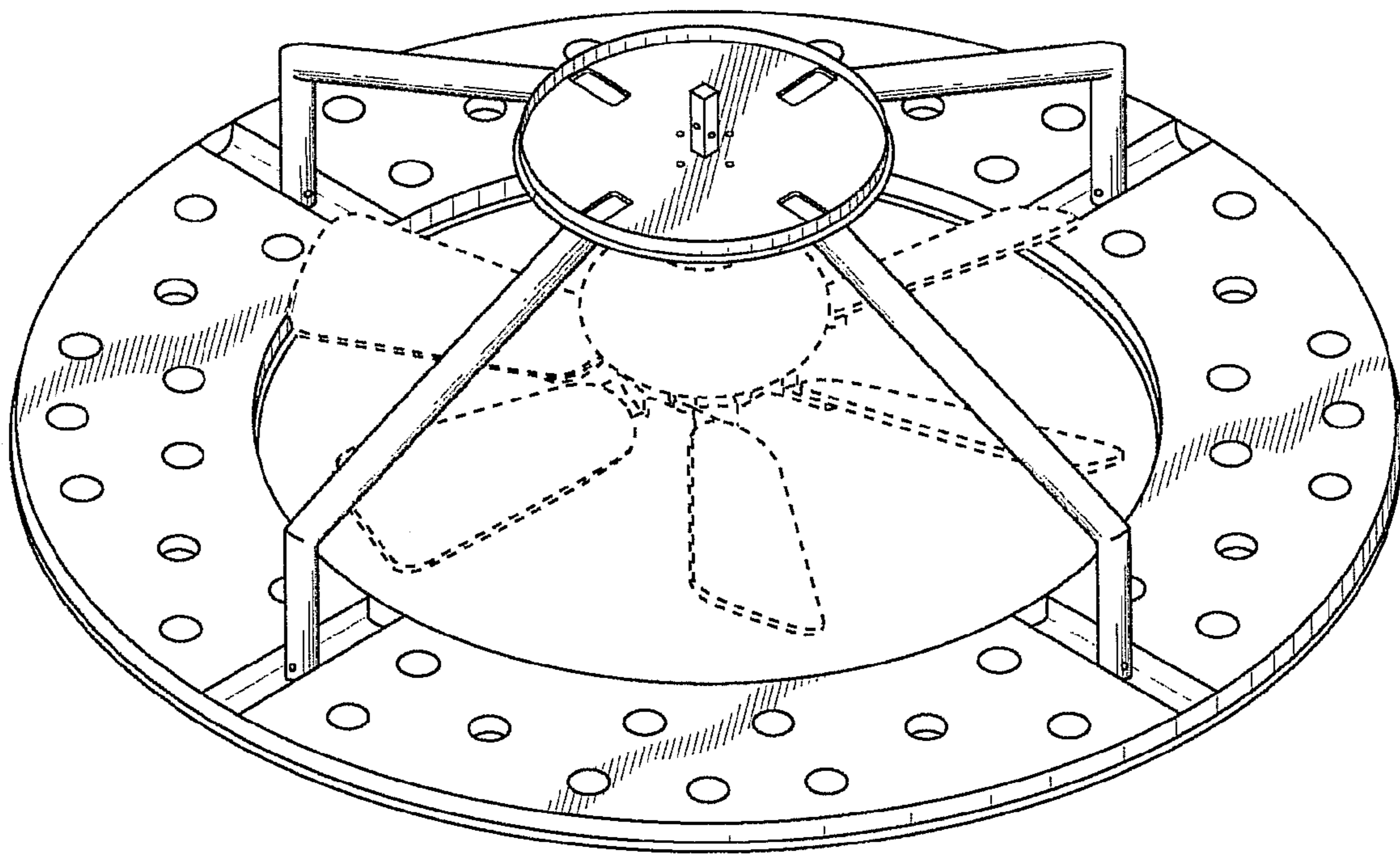
*Fig. 2*



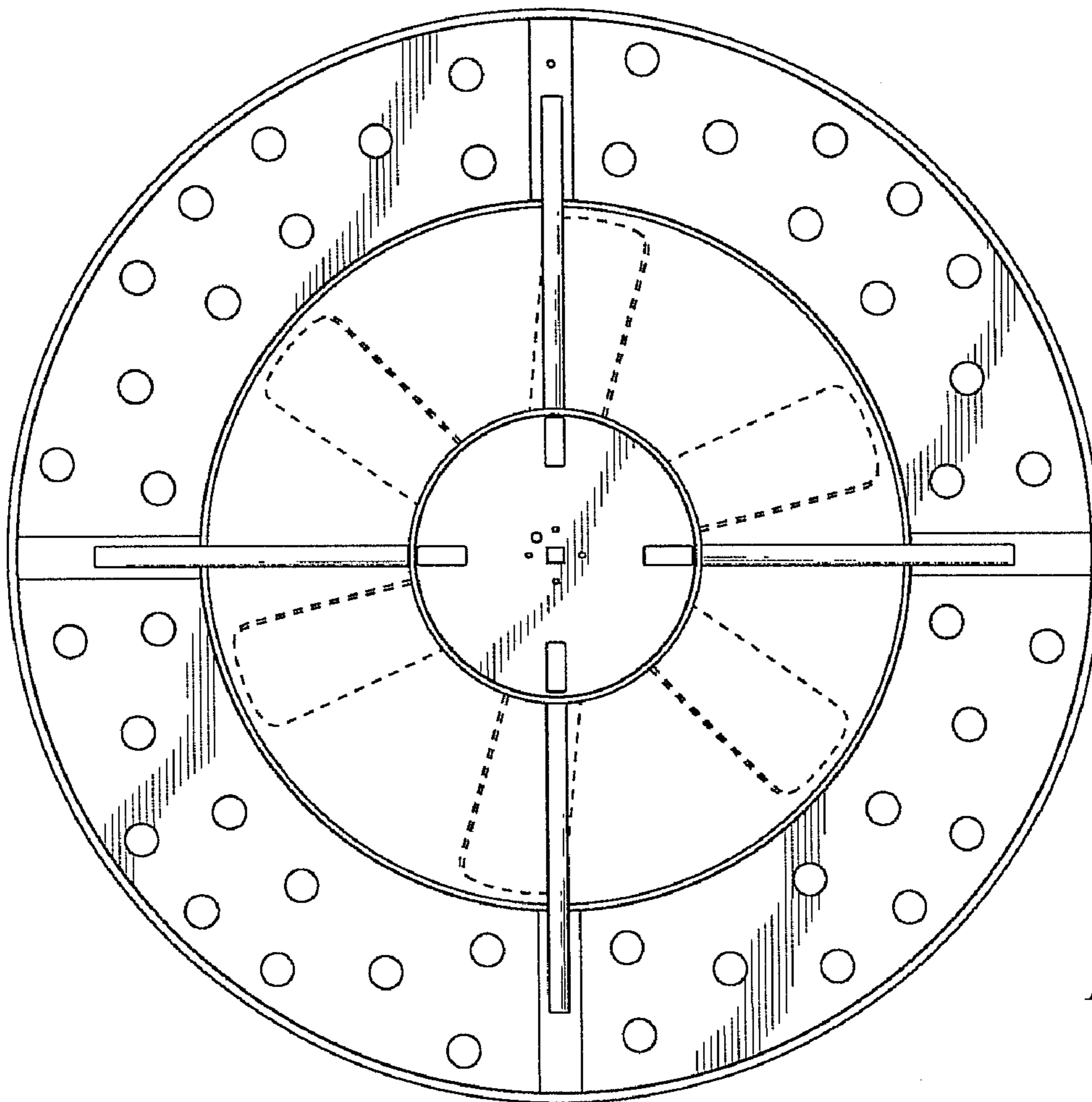
*Fig. 3*



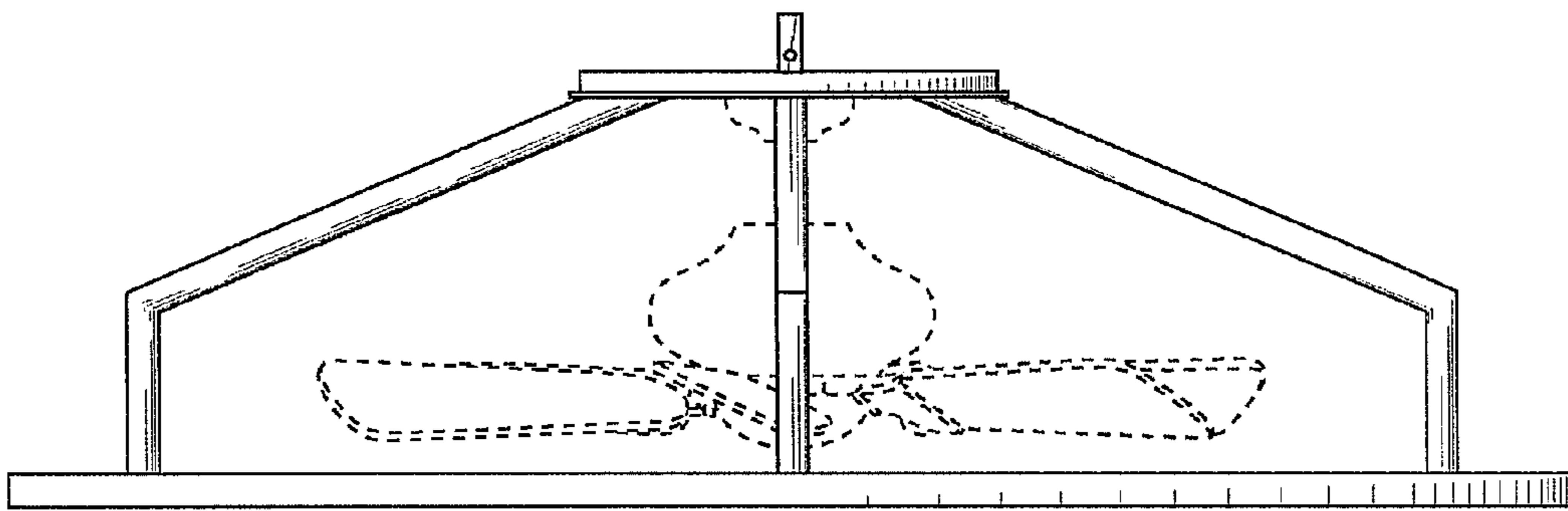
*Fig. 4*



*Fig. 5*

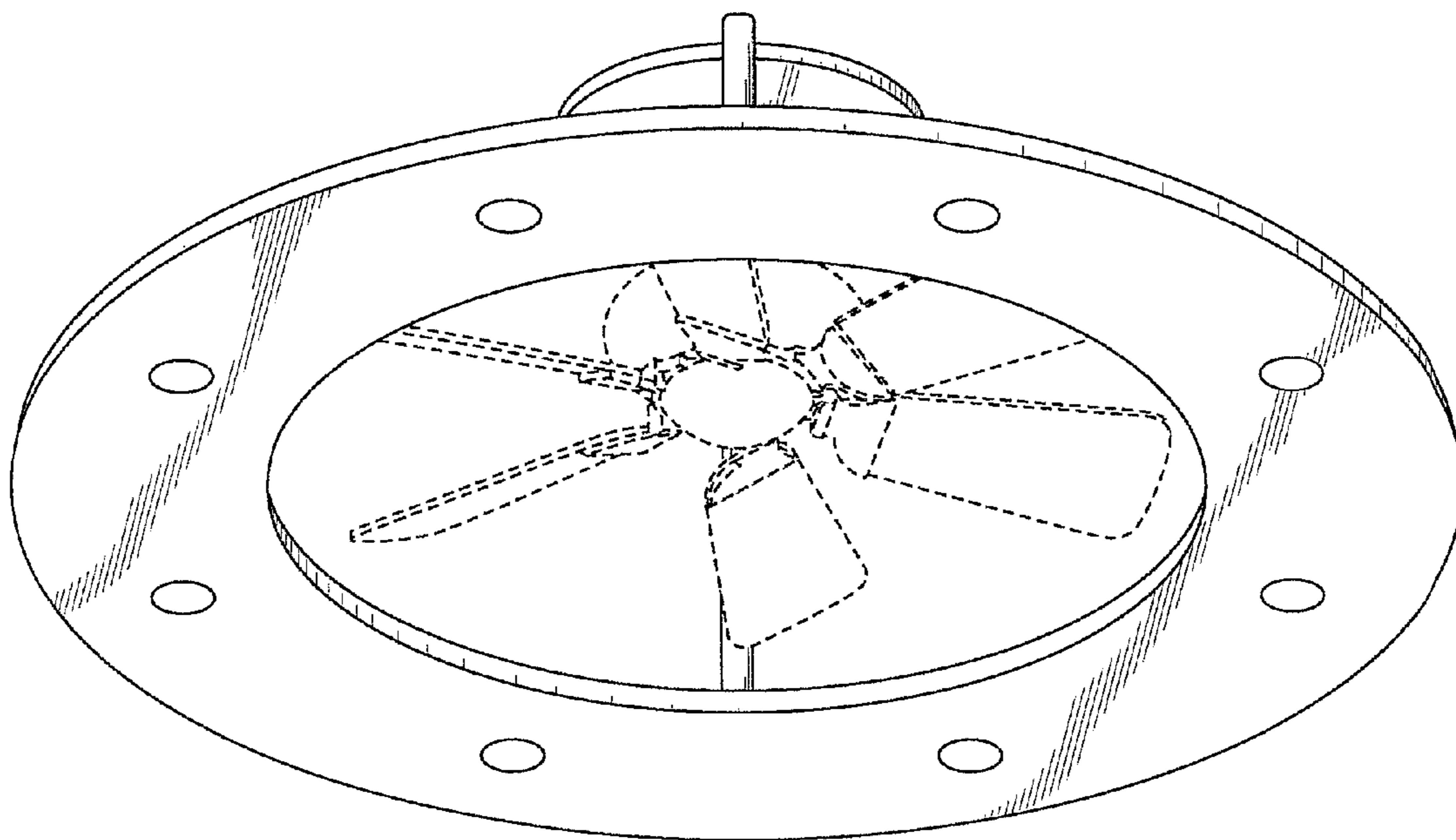


*Fig. 6*



*Fig. 7*





*Fig. 8*