



US00D639414S

(12) **United States Design Patent**
Berndt

(10) **Patent No.:** **US D639,414 S**

(45) **Date of Patent:** **** Jun. 7, 2011**

(54) **HERBAL VAPORIZER**

(76) Inventor: **Jaime Justin Berndt**, Oceanside, CA
(US)

(**) Term: **14 Years**

(21) Appl. No.: **29/367,414**

(22) Filed: **Aug. 6, 2010**

(51) **LOC (9) Cl.** **28-99**

(52) **U.S. Cl.** **D23/366**

(58) **Field of Classification Search** D23/355–369;
D28/5, 6; 261/DIG. 17, DIG. 42, DIG. 65,
261/DIG. 88, DIG. 89; 392/386, 390, 391,
392/392, 394, 395, 389, 393; 239/34, 35,
239/43–45, 53, 56, 57, 60, 326, 42, 50, 55
See application file for complete search history.

(56) **References Cited**

U.S. PATENT DOCUMENTS

D216,973 S *	3/1970	Katzman et al.	D23/356
D307,469 S *	4/1990	Gutkowski	D23/367
D372,768 S *	8/1996	Miller et al.	D23/366
D380,258 S *	6/1997	Muller et al.	D23/369
D390,940 S *	2/1998	Chen	D23/366
D393,706 S *	4/1998	Kauzlarich et al.	D23/369
D415,267 S *	10/1999	Kauzlarich et al.	D23/366
D422,692 S *	4/2000	Quinones	D23/367
D436,398 S *	1/2001	Steiner	D23/366
D443,350 S *	6/2001	Delmenico et al.	D23/360
D449,877 S *	10/2001	Delmenico et al.	D23/356
D451,180 S *	11/2001	Hoare	D23/360
D491,255 S *	6/2004	Glucksman et al.	D23/356
D491,798 S *	6/2004	Buthier	D23/366
D510,991 S *	10/2005	Harbutt et al.	D23/366
D514,679 S *	2/2006	Wheatley	D23/366
D522,118 S *	5/2006	Miro	D23/366
D527,811 S *	9/2006	Scott	D23/366
D529,159 S *	9/2006	Howansky et al.	D23/360
D533,651 S *	12/2006	Martinez et al.	D23/366

D535,002 S *	1/2007	Caserta et al.	D23/366
D536,081 S *	1/2007	Steinel	D23/366
D549,313 S *	8/2007	Kelnhofer	
D551,333 S *	9/2007	Wu	D23/366
D575,384 S *	8/2008	Huang	D23/366
D581,506 S *	11/2008	Kelnhofer	
D584,391 S *	1/2009	Howlett et al.	D23/366
D585,537 S *	1/2009	Weggelaar	D23/366
D587,362 S *	2/2009	Weggelaar	D23/366
D591,411 S *	4/2009	Weisbeck	D23/362
7,624,734 B2	12/2009	Balch et al.	
D611,587 S *	3/2010	Dineen	D23/366
D611,588 S *	3/2010	Jorgensen	D23/366
D621,494 S *	8/2010	Li	D23/366
D621,495 S *	8/2010	Li	D23/366

* cited by examiner

Primary Examiner — Sandra Snapp

(57) **CLAIM**

The ornamental design for an herbal vaporizer, as shown and described.

DESCRIPTION

FIG. 1 is an isometric view of the herbal vaporizer showing my new design.

FIG. 2 is an isometric view of the herbal vaporizer with the essential oil diffuser attached.

FIG. 3 is an isometric view of the herbal vaporizer in vaporization mode with front cover removed.

FIG. 4 is a front view of the herbal vaporizer.

FIG. 5 is a left side view of the herbal vaporizer. The right side view is a mirror image thereof.

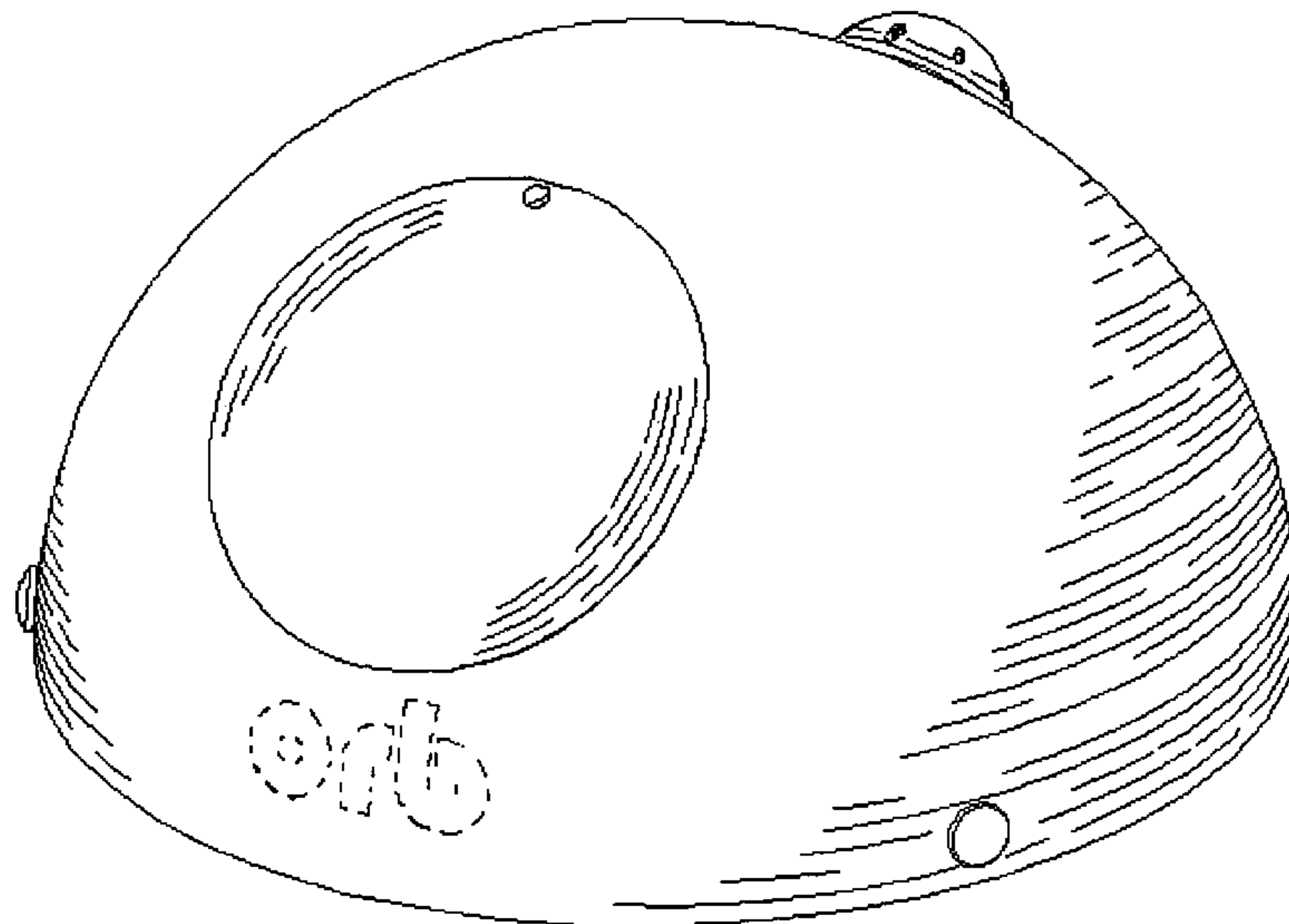
FIG. 6 is a rear view of the herbal vaporizer.

FIG. 7 is a top of the herbal vaporizer; and,

FIG. 8 is a bottom view of the herbal vaporizer.

The broken lines shown in the drawings are for illustrative purposed only and form no part of the claimed design.

1 Claim, 6 Drawing Sheets



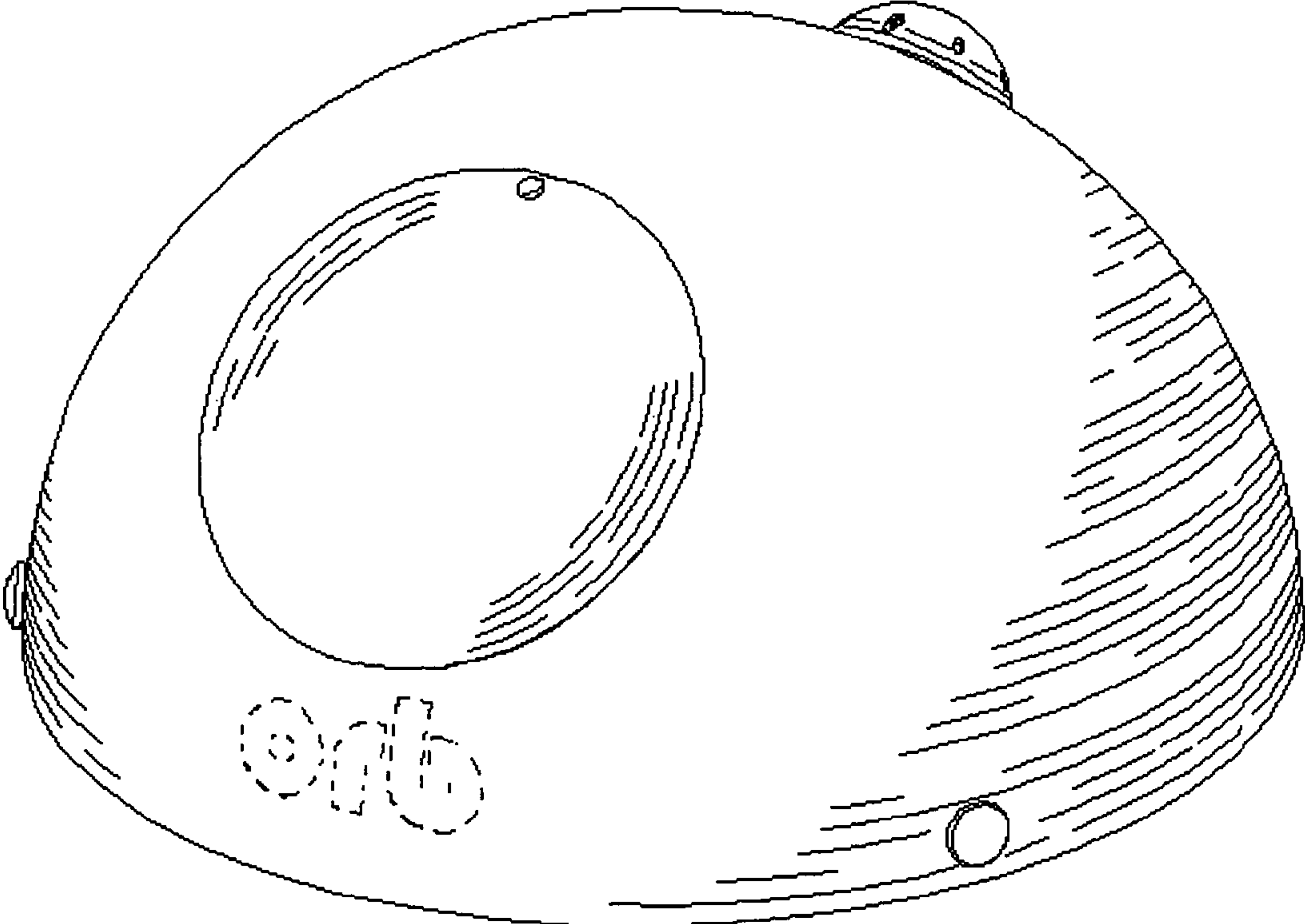


Fig. 1

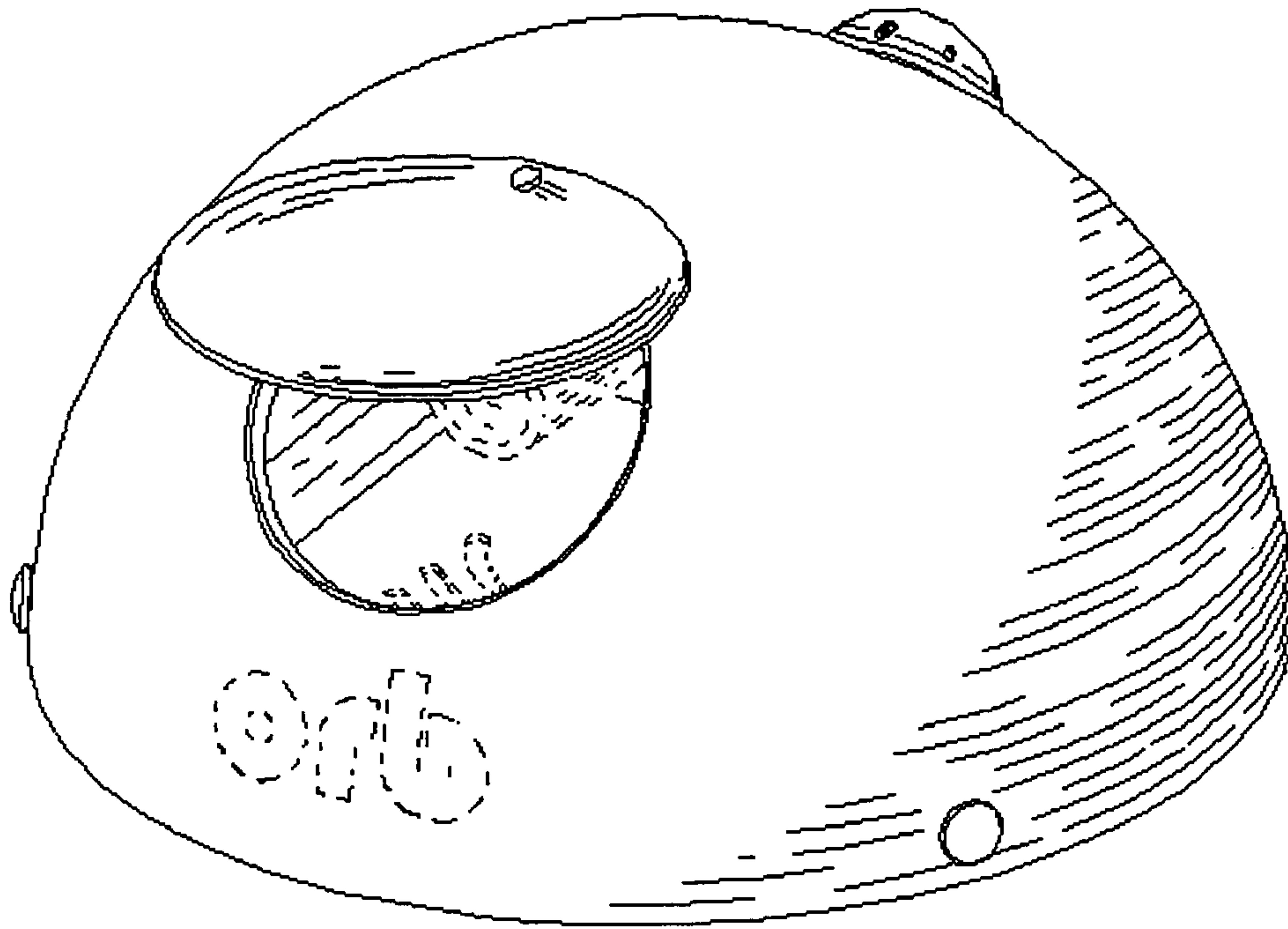


Fig. 2

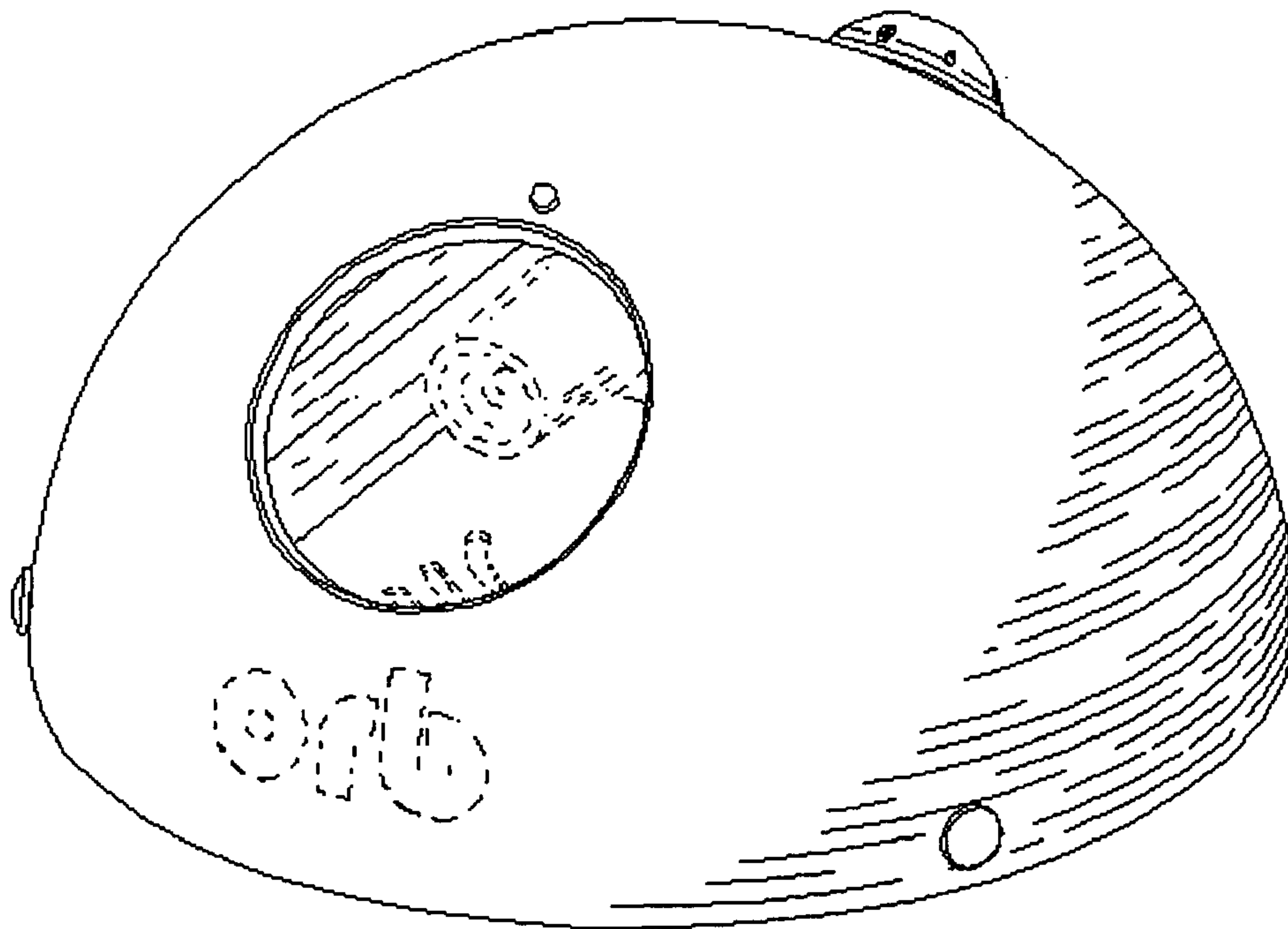


Fig. 3

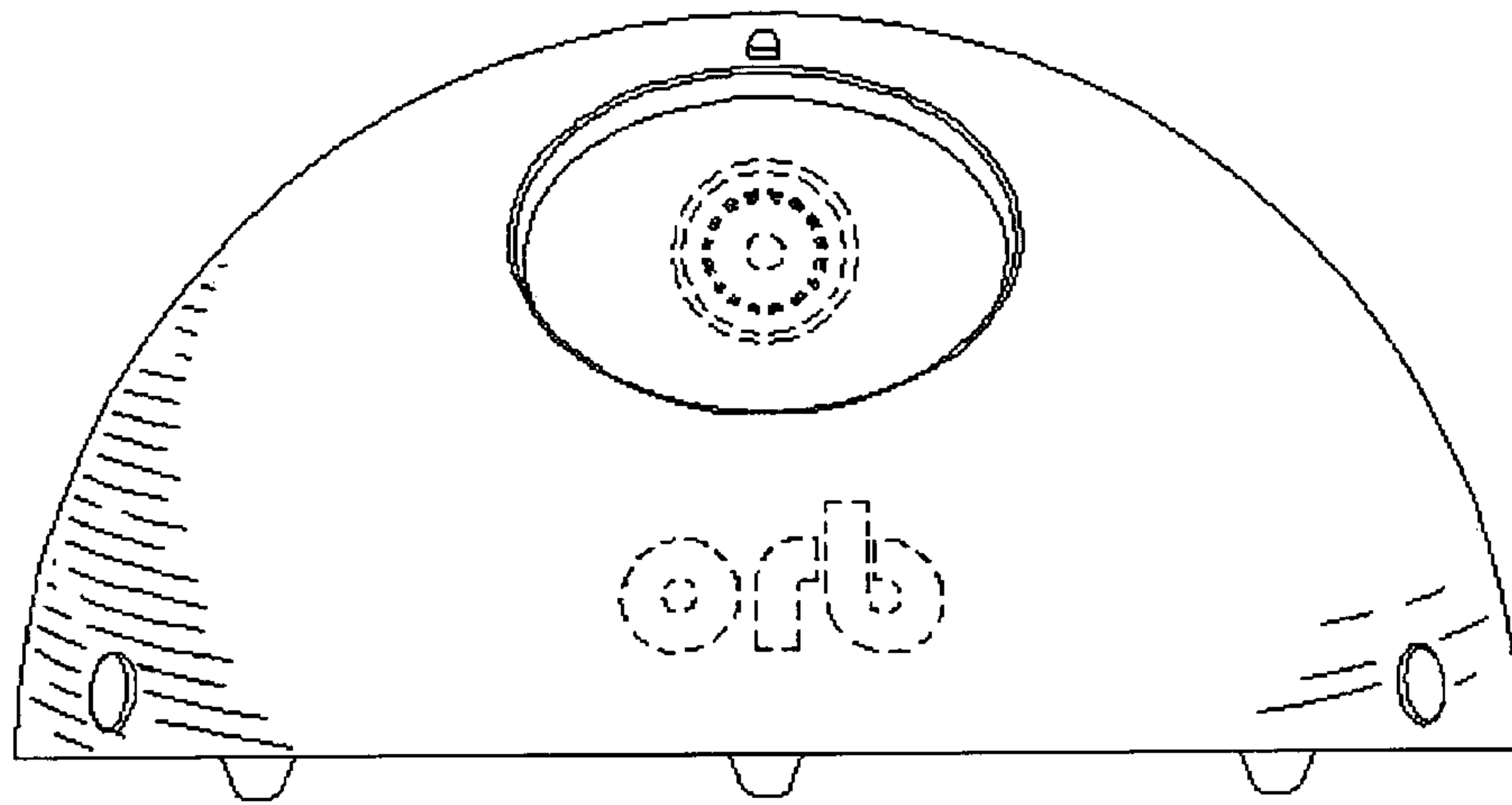


Fig. 4

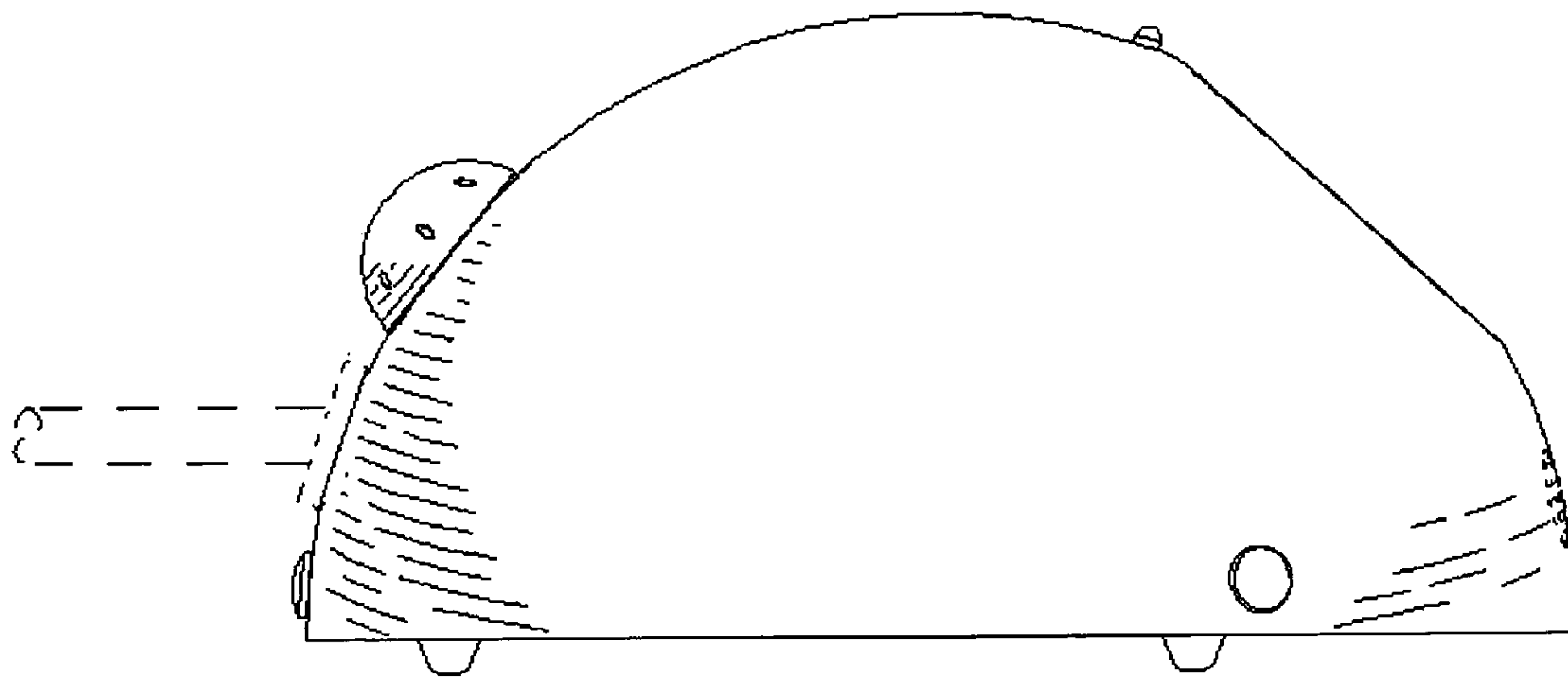


Fig. 5

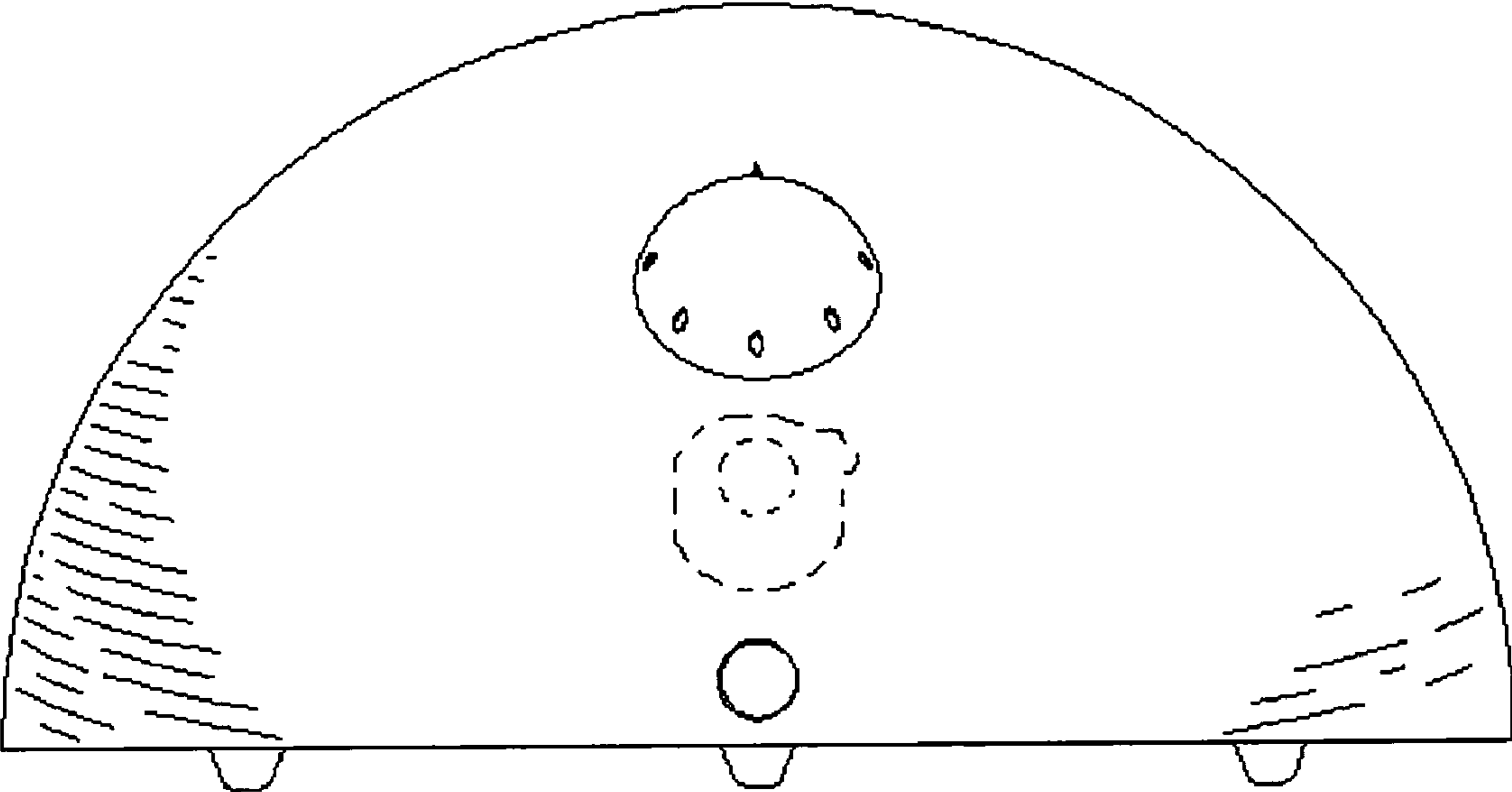


Fig. 6

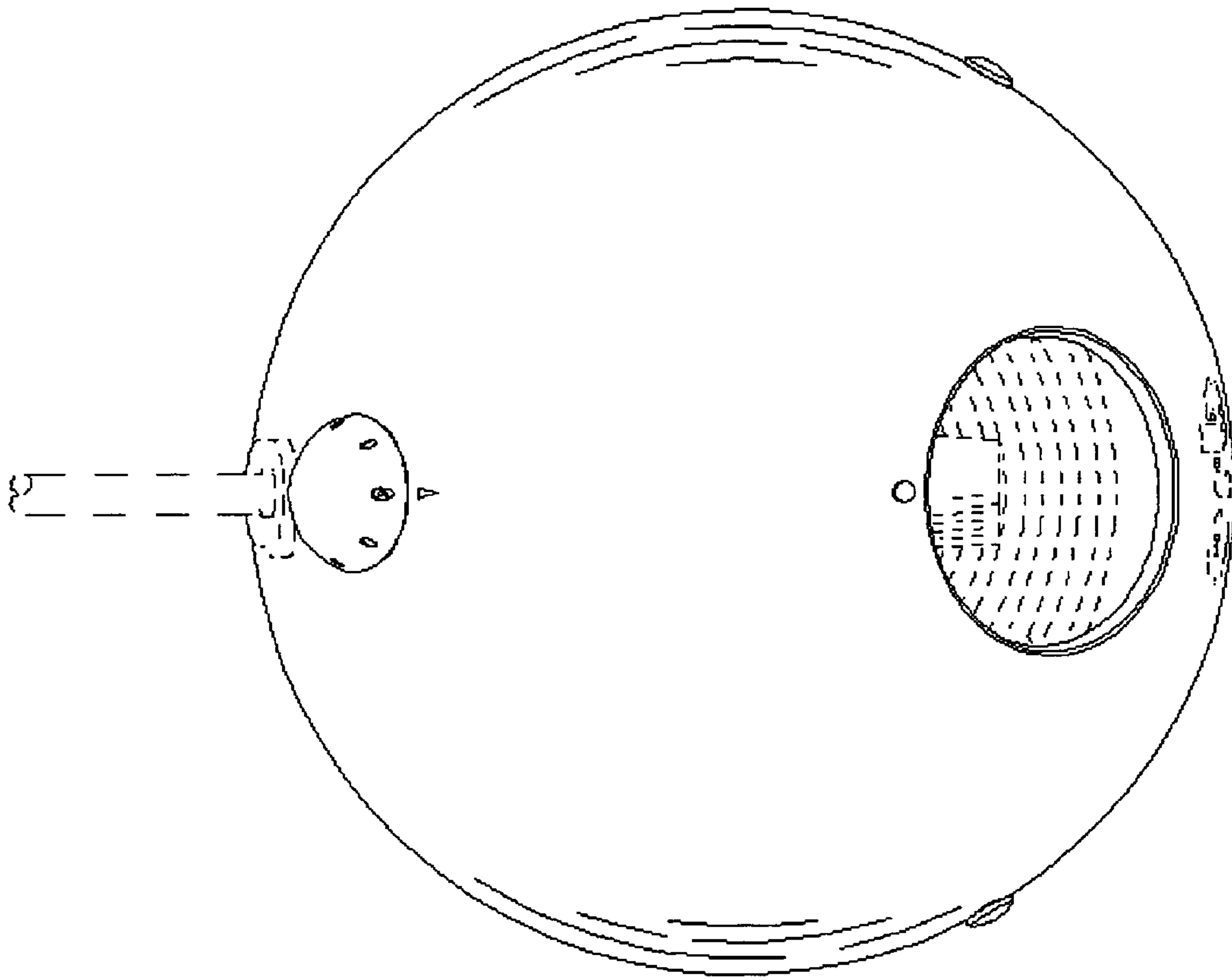


Fig. 7

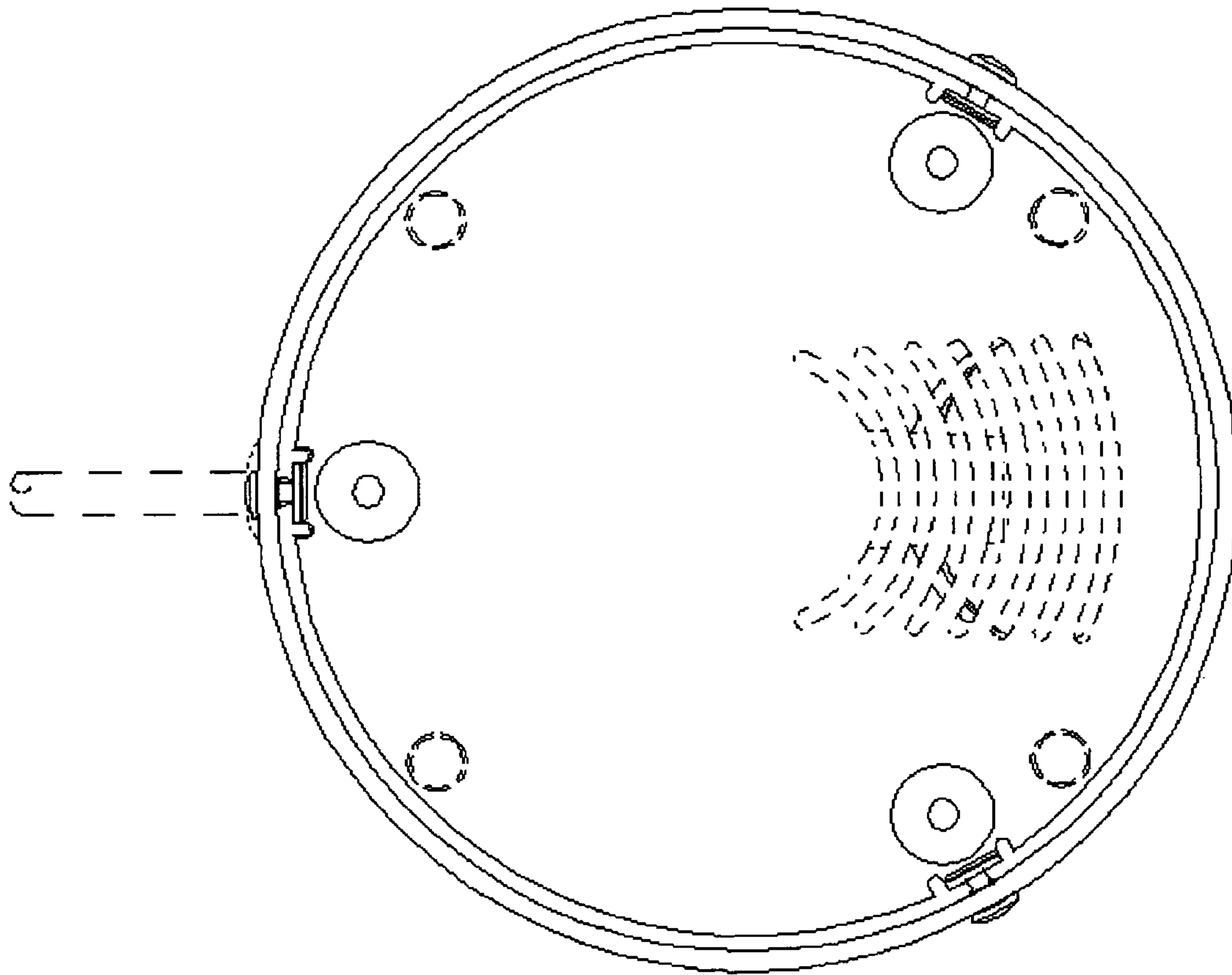


Fig. 8