



US00D639411S

(12) **United States Design Patent**
Monteix et al.

(10) **Patent No.:** **US D639,411 S**
(45) **Date of Patent:** **** Jun. 7, 2011**

(54) **HEATING SYSTEM FOR INFRARED
HALOGEN LAMP**

(75) Inventors: **Serge Monteix**, Nancy (FR); **Patrick Joanas**, Saizerais (FR); **Thierry Thibaud**, Thiaccourt Regnieville (FR)

(73) Assignee: **Speziallampenfabrik Dr. Fischer GmbH**, Diez (DE)

(**) Term: **14 Years**

(21) Appl. No.: **29/364,399**

(22) Filed: **Jun. 23, 2010**

(51) **LOC (9) Cl.** **23-03**

(52) **U.S. Cl.** **D23/314; D23/342**

(58) **Field of Classification Search** D23/330,
D23/395, 335-39; 165/134.1, 148, 135,
165/54; 392/378, 376, 375, 365-9; 237/16,
237/17, 70, 71

See application file for complete search history.

(56) **References Cited**

U.S. PATENT DOCUMENTS

D338,713 S * 8/1993 Cox et al. D23/328
* cited by examiner

Primary Examiner — T. Chase Nelson
Assistant Examiner — Ania Dworzecka
(74) *Attorney, Agent, or Firm* — Volentine & Whitt, PLLC

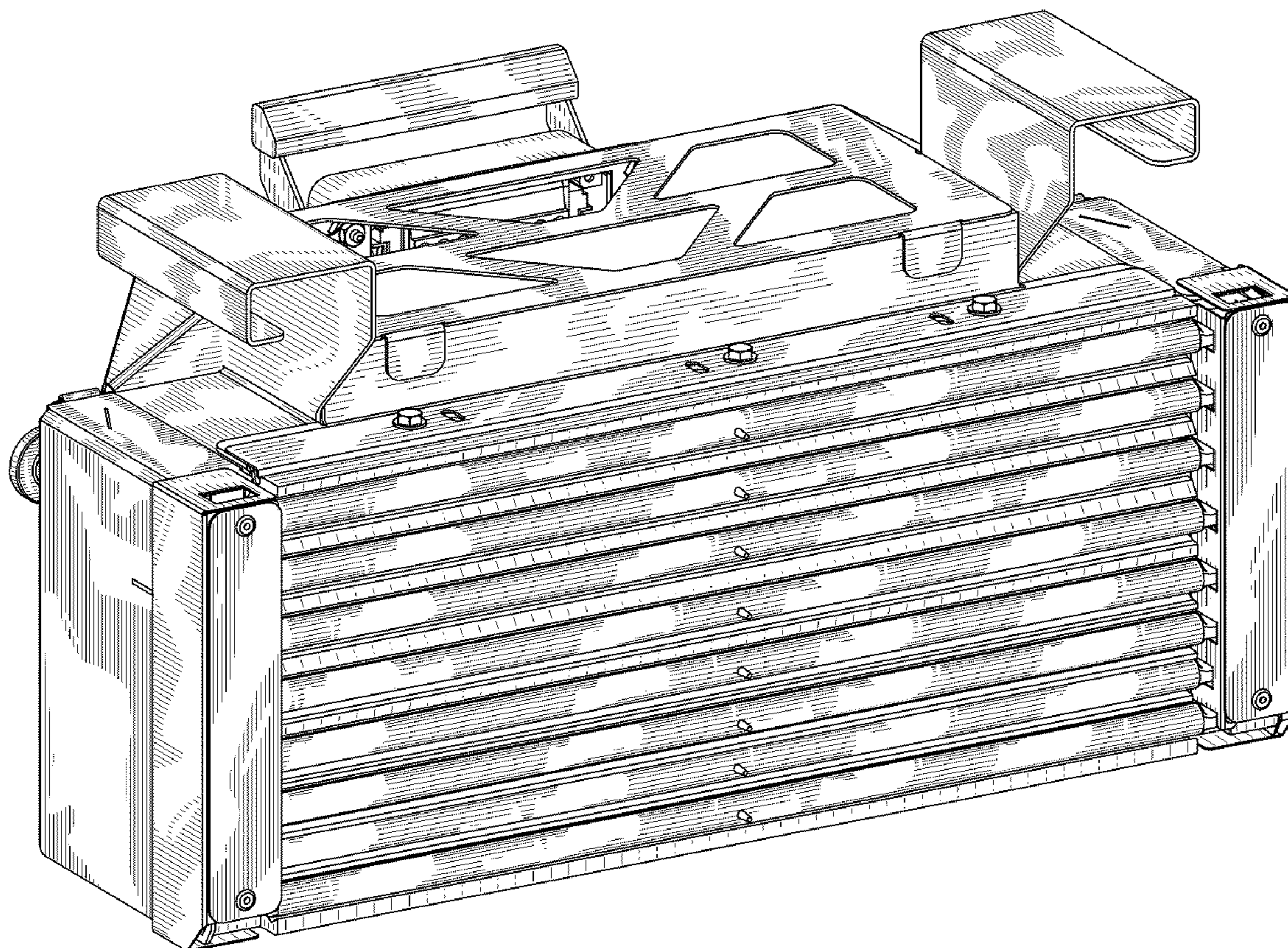
(57) **CLAIM**

The ornamental design for a heating system for infrared halogen lamp, as shown and described.

DESCRIPTION

FIG. 1 is a perspective view showing my design;
FIG. 2 is a front elevational view thereof;
FIG. 3 is a rear elevational view thereof;
FIG. 4 is a right side elevational view thereof;
FIG. 5 is a left side elevational view thereof;
FIG. 6 is a top plan view thereof; and,
FIG. 7 is a bottom plan view thereof.
In the drawings, the broken lines in FIG. 3 depict unclaimed subject matter only and form no part of the claimed design.

1 Claim, 4 Drawing Sheets



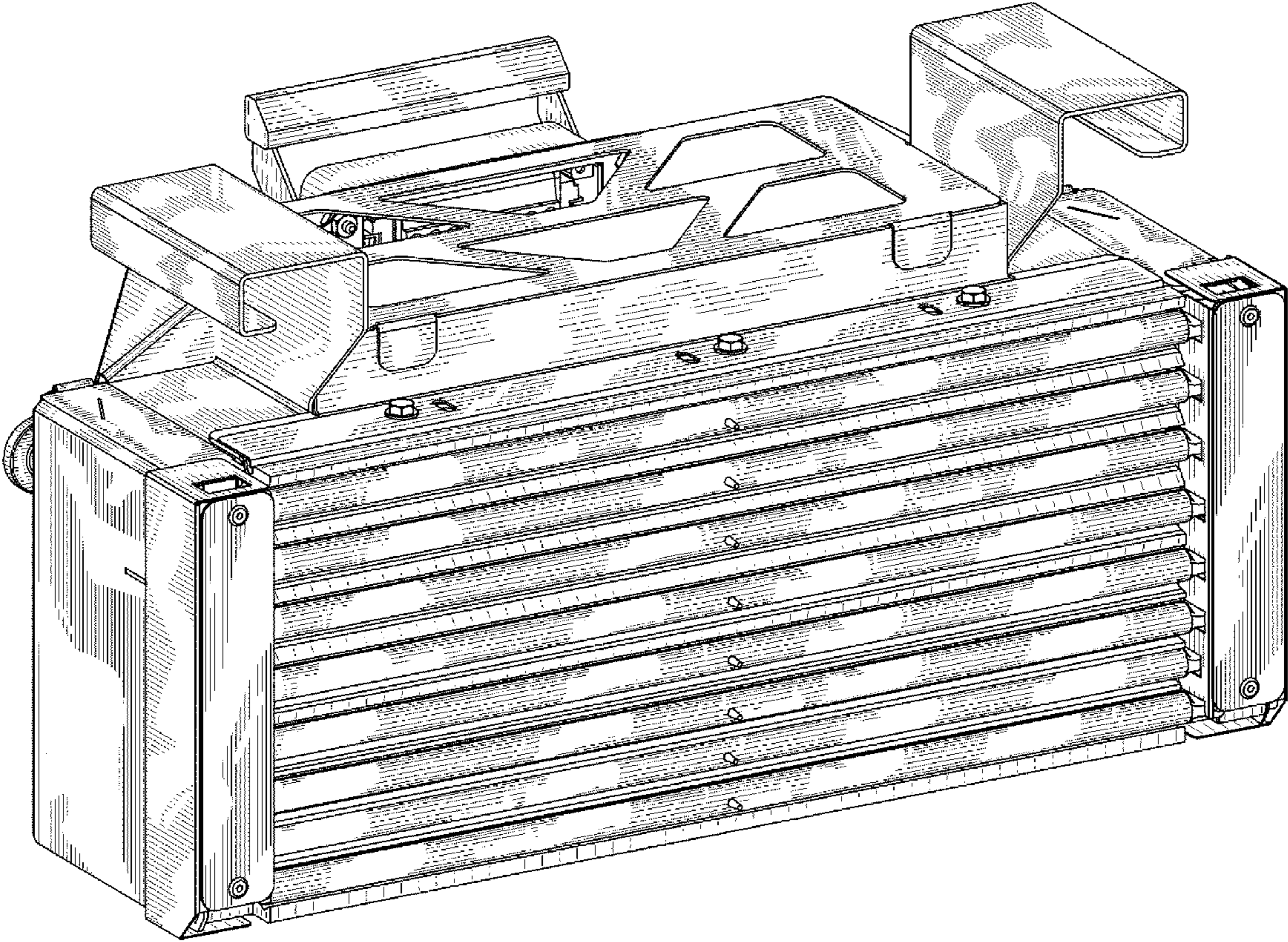


FIG. 1

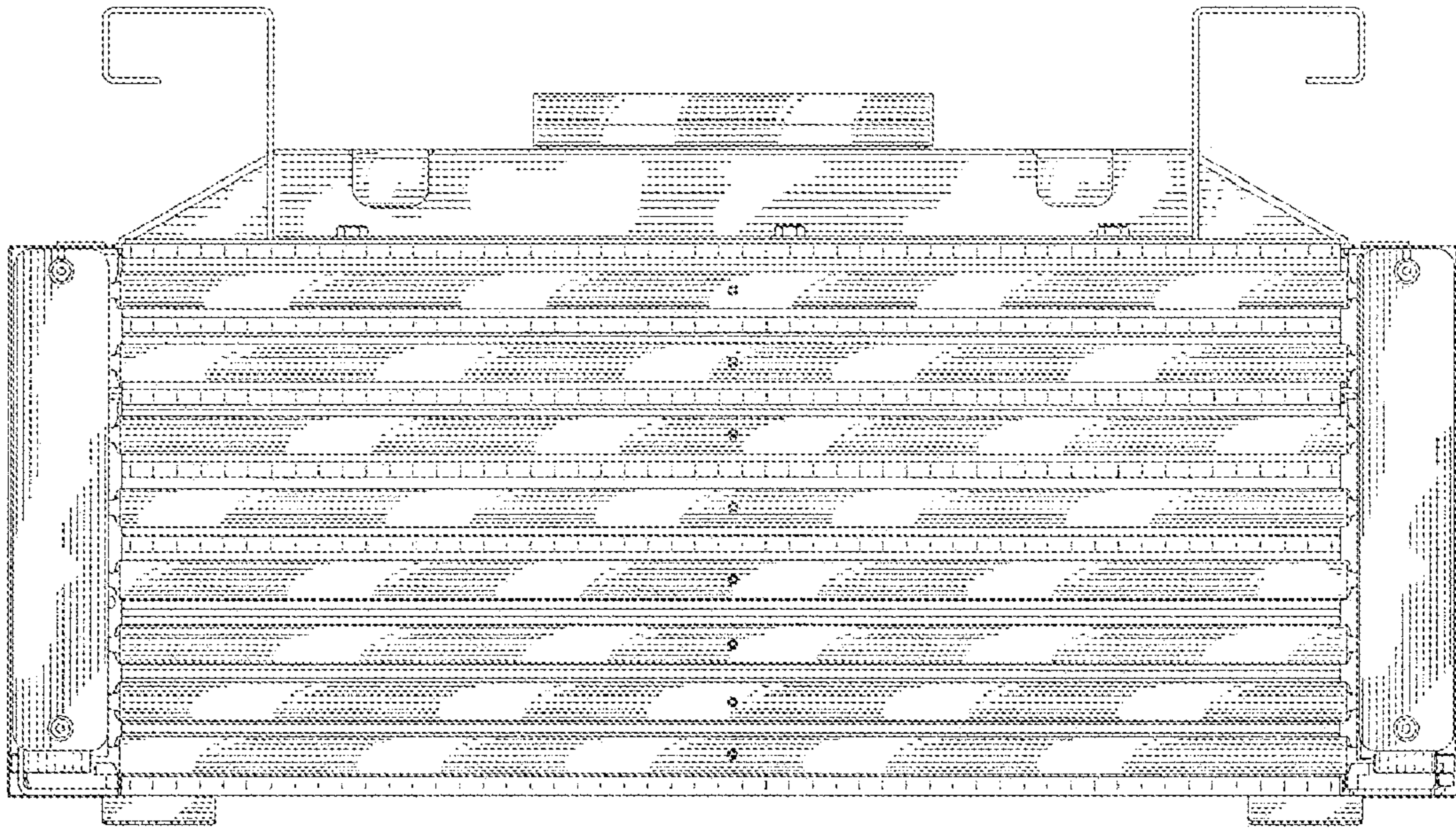


FIG. 2

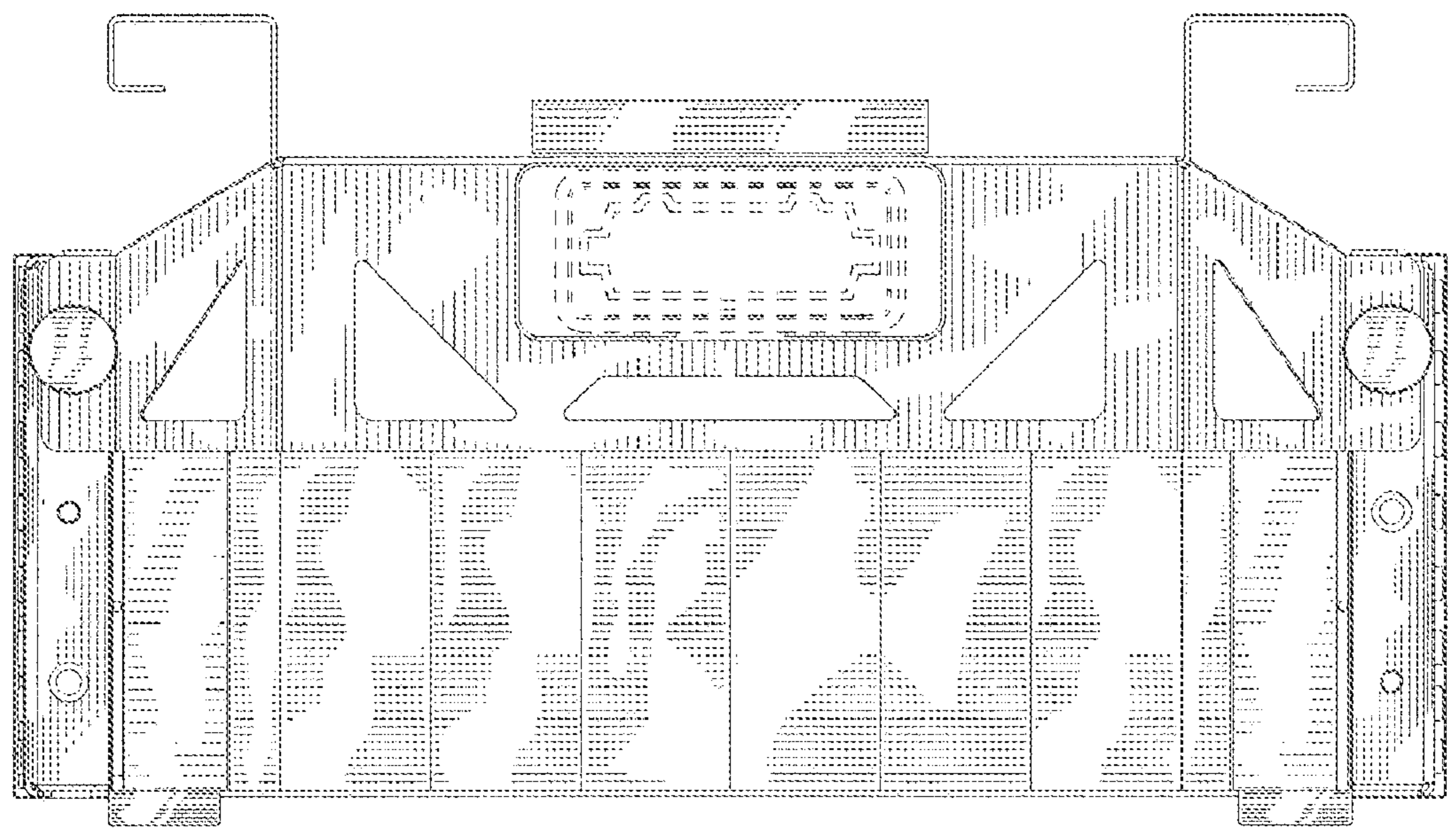


FIG. 3

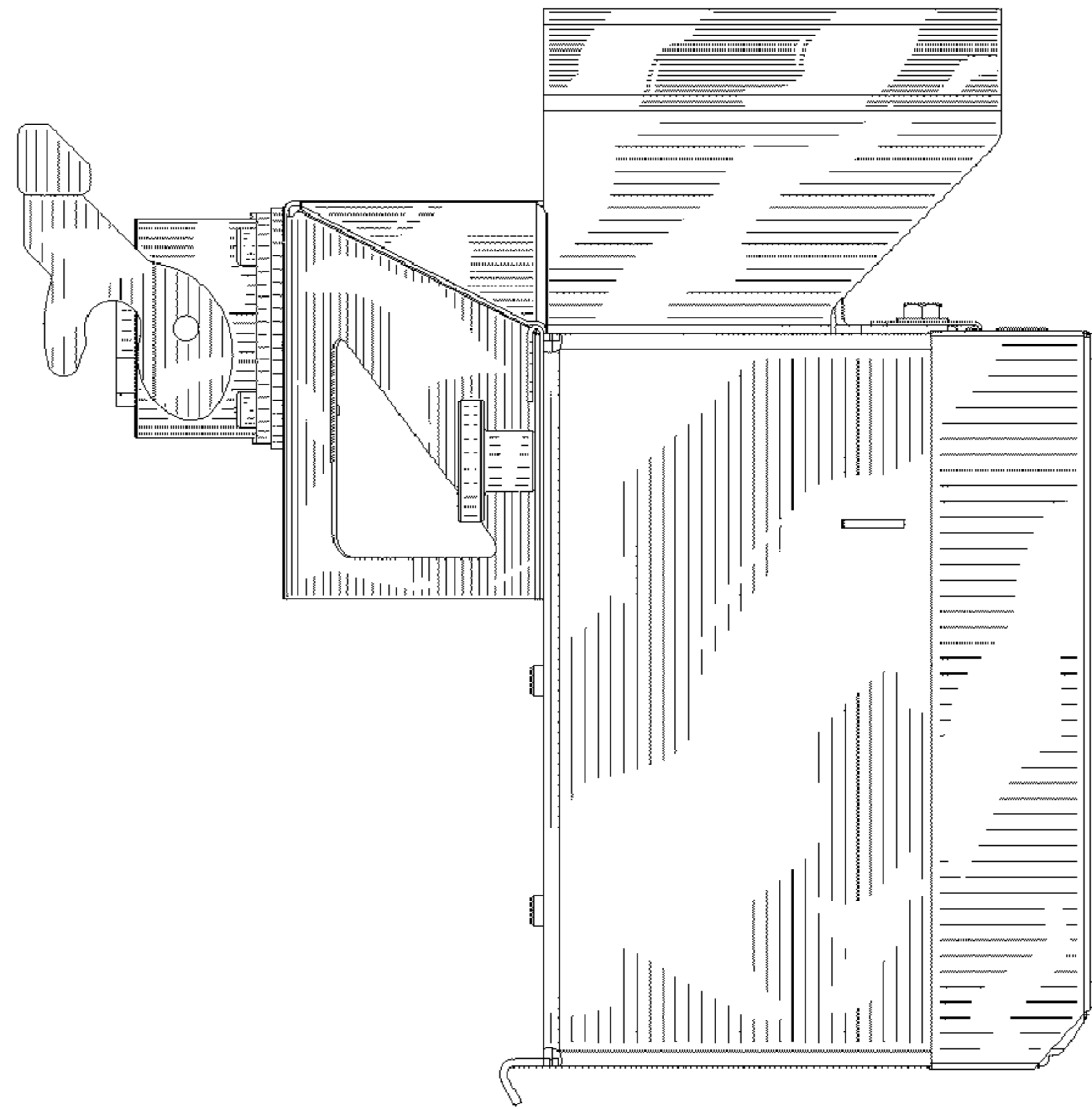


FIG. 4

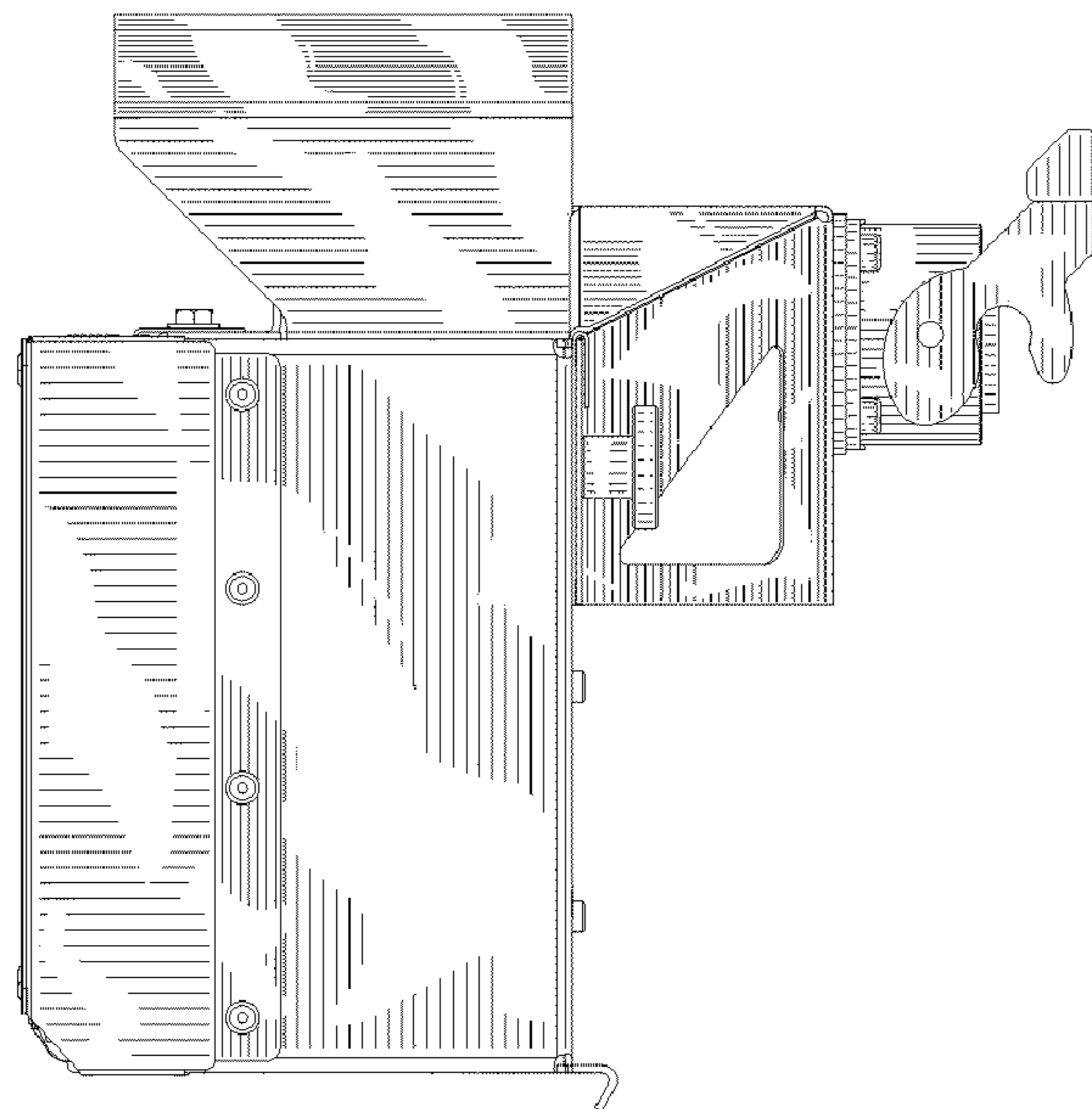


FIG. 5

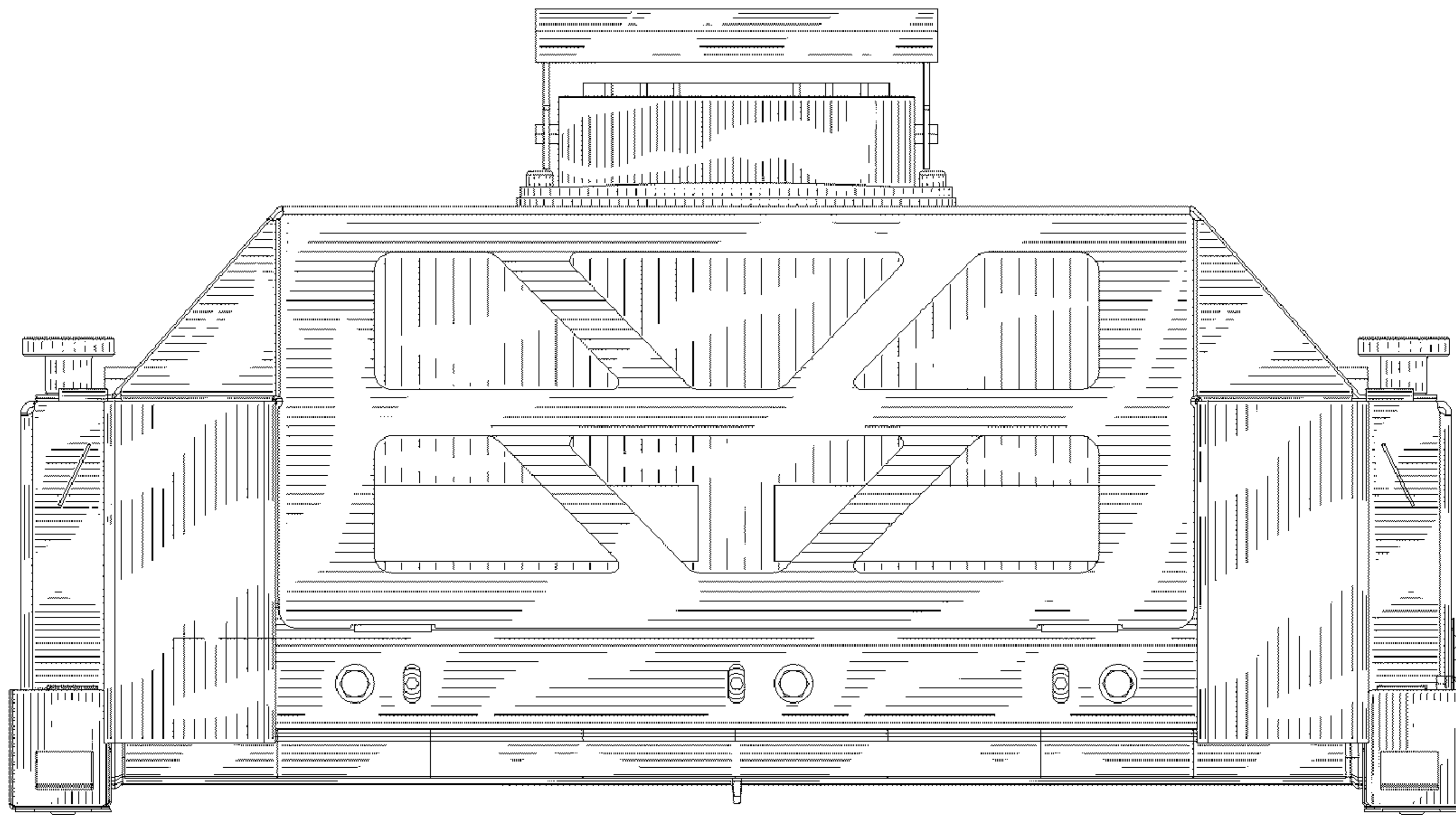


FIG. 6

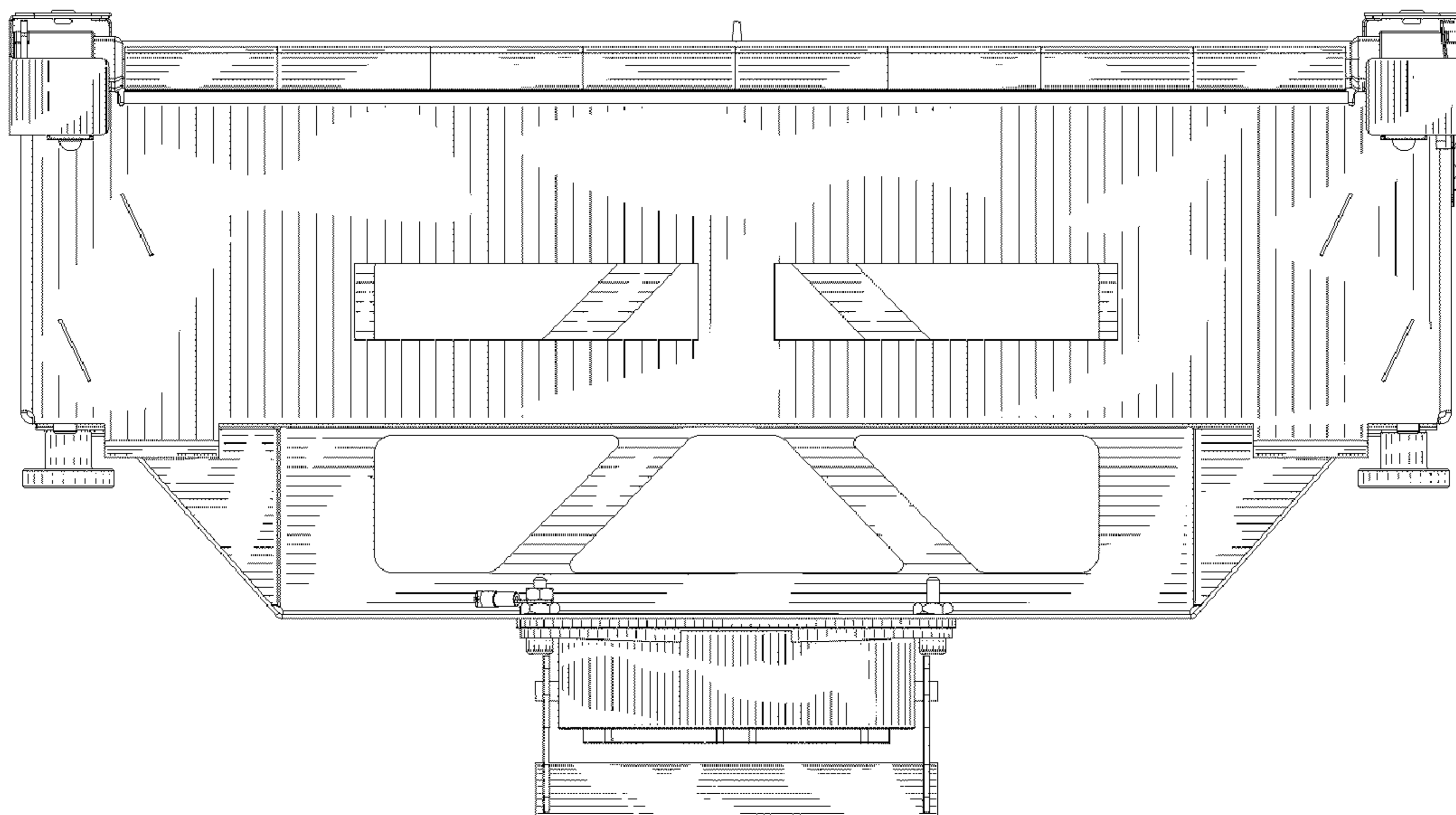


FIG. 7