



US00D639409S

(12) **United States Design Patent**
Gilbert

(10) **Patent No.:** **US D639,409 S**
(45) **Date of Patent:** **** Jun. 7, 2011**

(54) **BATH GRIP**
(75) Inventor: **Christopher Jon Gilbert**, Moreland Hills, OH (US)
(73) Assignee: **Moen Incorporated**, North Olmsted, OH (US)
(**) Term: **14 Years**
(21) Appl. No.: **29/362,368**

D365,385 S 12/1995 Hunger et al.
5,652,999 A 8/1997 Jarvis
5,690,237 A 11/1997 Marzec
D387,420 S 12/1997 Kuhne
D388,272 S 12/1997 Moore
D388,644 S 1/1998 Chen
D396,793 S 8/1998 Magnusson
5,909,758 A 6/1999 Kitamura
D416,419 S 11/1999 Chen
5,991,976 A 11/1999 Adams et al.
D423,854 S 5/2000 Roth et al.
D424,344 S 5/2000 Roth et al.
D439,088 S 3/2001 Chen

(Continued)

(22) Filed: **May 25, 2010**
(51) **LOC (9) Cl.** **23-02**
(52) **U.S. Cl.** **D23/304**
(58) **Field of Classification Search** D23/280.2,
D23/303-304; 4/576.1, 577.1; D8/315;
D6/549

See application file for complete search history.

(56) **References Cited**

U.S. PATENT DOCUMENTS

D116,604 S 9/1939 Hefferan
D119,283 S 3/1940 Rettich
D122,120 S 8/1940 Johns
2,329,767 A 9/1943 Jakeway
2,345,371 A 3/1944 Amrine
D138,909 S 9/1944 Stone et al.
D138,910 S 9/1944 Stone
D142,042 S 8/1945 Stewart
D143,936 S 2/1946 Rosenthal
D143,937 S 2/1946 Rosenthal
2,397,306 A 3/1946 Whipple
D153,796 S 5/1949 Hefferan
D168,362 S 12/1952 Lurie
3,103,268 A 9/1963 Atkinson
D199,333 S 10/1964 Finley
D208,691 S 9/1967 Morgan
D269,460 S 6/1983 Kohler, Jr.
4,944,478 A 7/1990 Sullivan
D327,196 S 6/1992 Crook et al.
5,307,528 A 5/1994 Nieuwenhuis et al.

OTHER PUBLICATIONS

Unitrend, Suction Cup Grab Bars, <http://www.unitrend.com.tw/suction%20bars.htm>, publicly available more than one year prior to May 25, 2010, 7 pages.

Primary Examiner — Robert A Delehanty

(74) *Attorney, Agent, or Firm* — Calfee, Halter & Griswold LLP

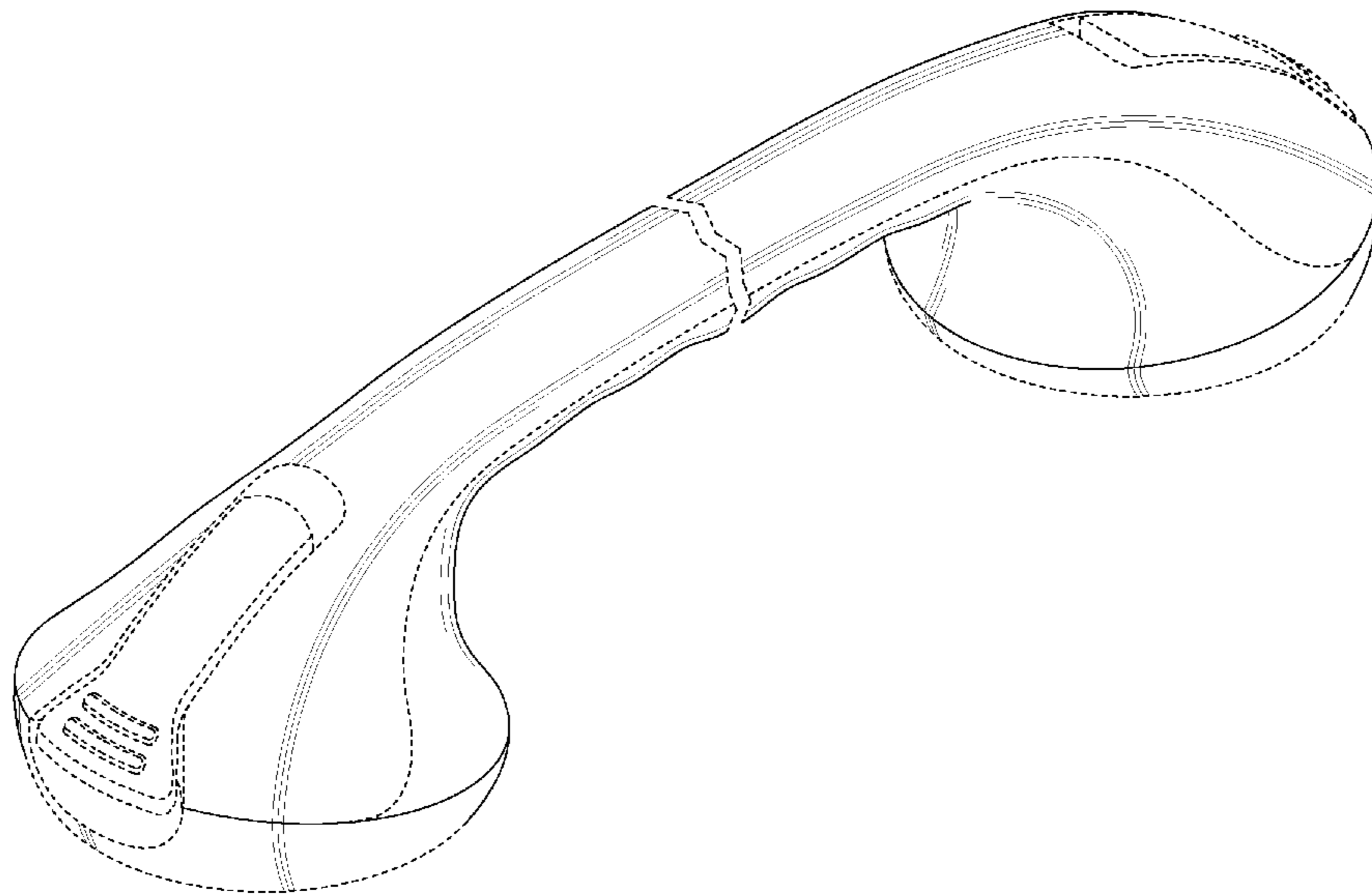
(57) **CLAIM**

The ornamental design for a bath grip, as shown and described.

DESCRIPTION

FIG. 1 is a perspective view of a bath grip of the new design; FIG. 2 is a front elevational view of the bath grip of FIG. 1; FIG. 3 is a rear elevational view of the bath grip of FIG. 1; FIG. 4 is a left side elevational view of the bath grip of FIG. 1, the right side elevational view being a mirror image thereof; and, FIG. 5 is a top plan view of the bath grip of FIG. 1, the bottom plan view being a mirror image thereof. The portions of the Figures shown in broken lines are not part of the claimed design and are for illustration only.

1 Claim, 3 Drawing Sheets



US D639,409 S

Page 2

U.S. PATENT DOCUMENTS

D439,091 S	3/2001	Milrud et al.	D543,754 S	6/2007	Bauer et al.
D439,092 S	3/2001	Wu	D543,755 S	6/2007	Bauer et al.
D454,459 S	3/2002	Meck et al.	D543,756 S	6/2007	Gilbert
D455,874 S	4/2002	Resuello et al.	7,249,395 B2	7/2007	Brammer, Jr. et al.
6,473,939 B1	11/2002	Stegmaier	D568,142 S	5/2008	Zhang et al.
D468,145 S	1/2003	Ouyoung	D573,868 S	7/2008	Ricereto
D474,281 S	5/2003	Hansen	D574,218 S	8/2008	Jou
D478,472 S	8/2003	Cozzolino et al.	D579,534 S	10/2008	Genord et al.
6,836,932 B2	1/2005	Yamamoto et al.	D599,187 S	9/2009	Matschina et al.
D511,955 S	11/2005	Baldwin et al.	D600,529 S	9/2009	Nicholson
D527,832 S	9/2006	Devereux	D602,138 S	10/2009	Gilbert et al.
D531,876 S	11/2006	Jimenez	7,665,706 B2	2/2010	Chien et al.
D540,090 S *	4/2007	Chen	2009/0211016 A1	8/2009	Forrest
		D6/549			

* cited by examiner

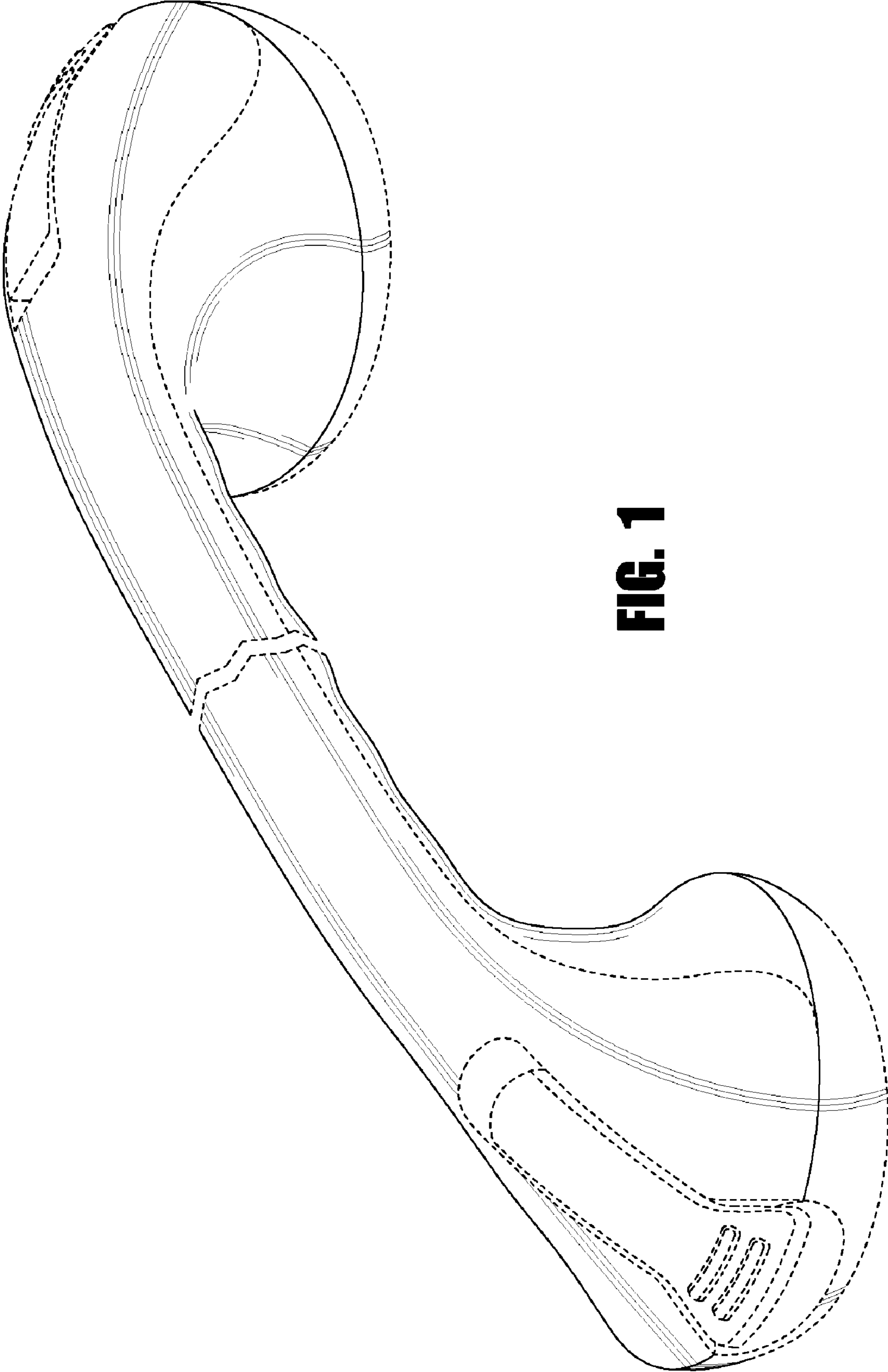


FIG. 1

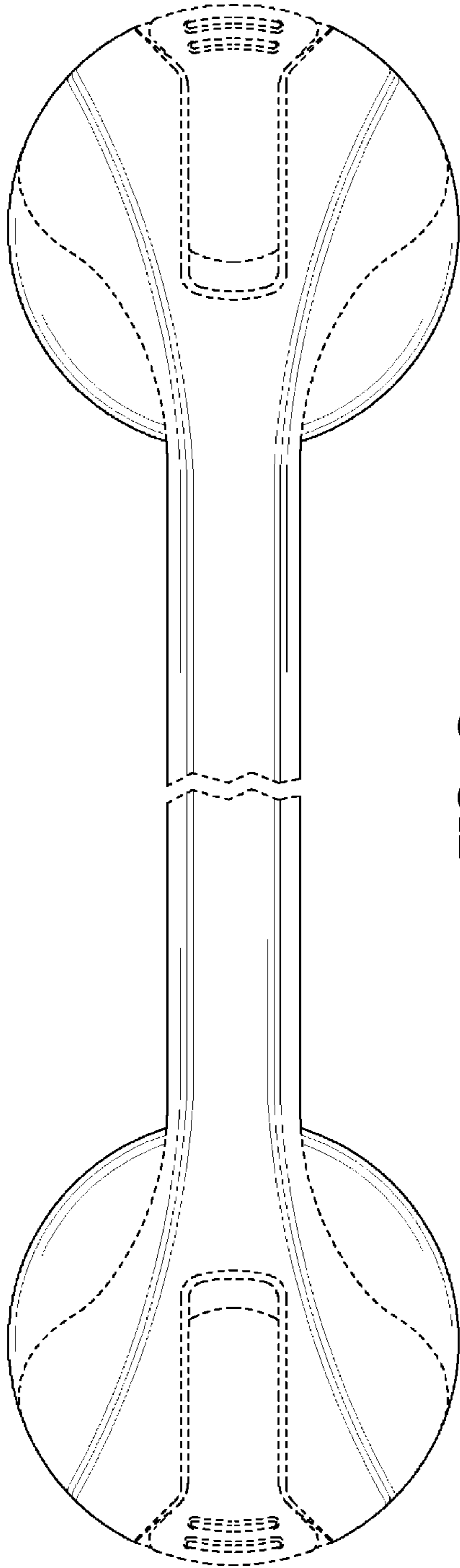


FIG. 2

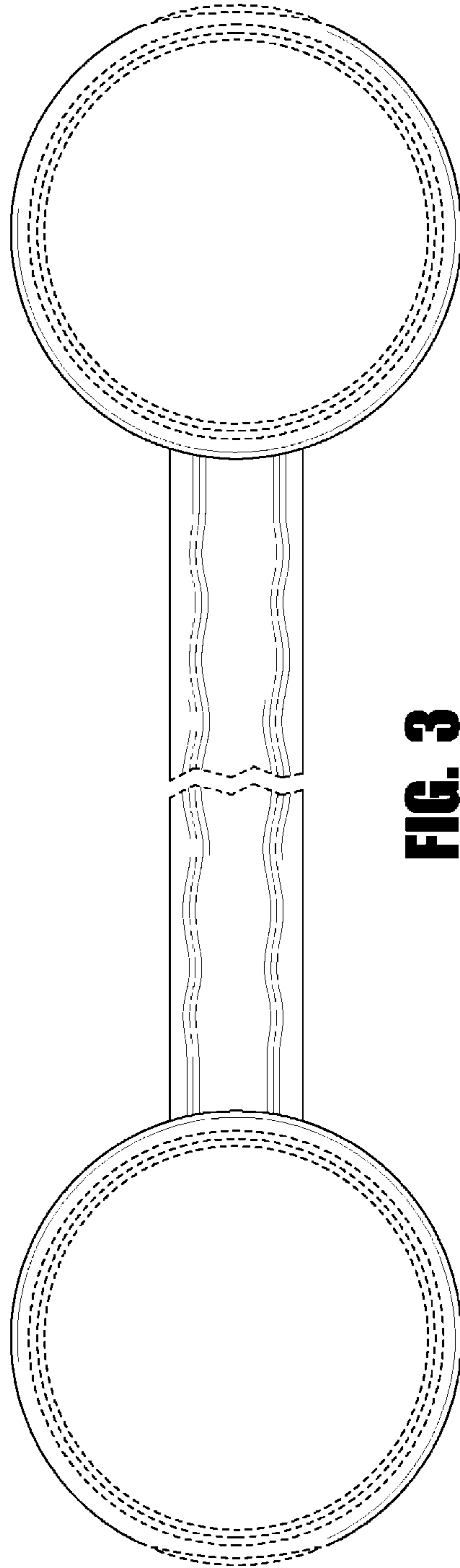


FIG. 3

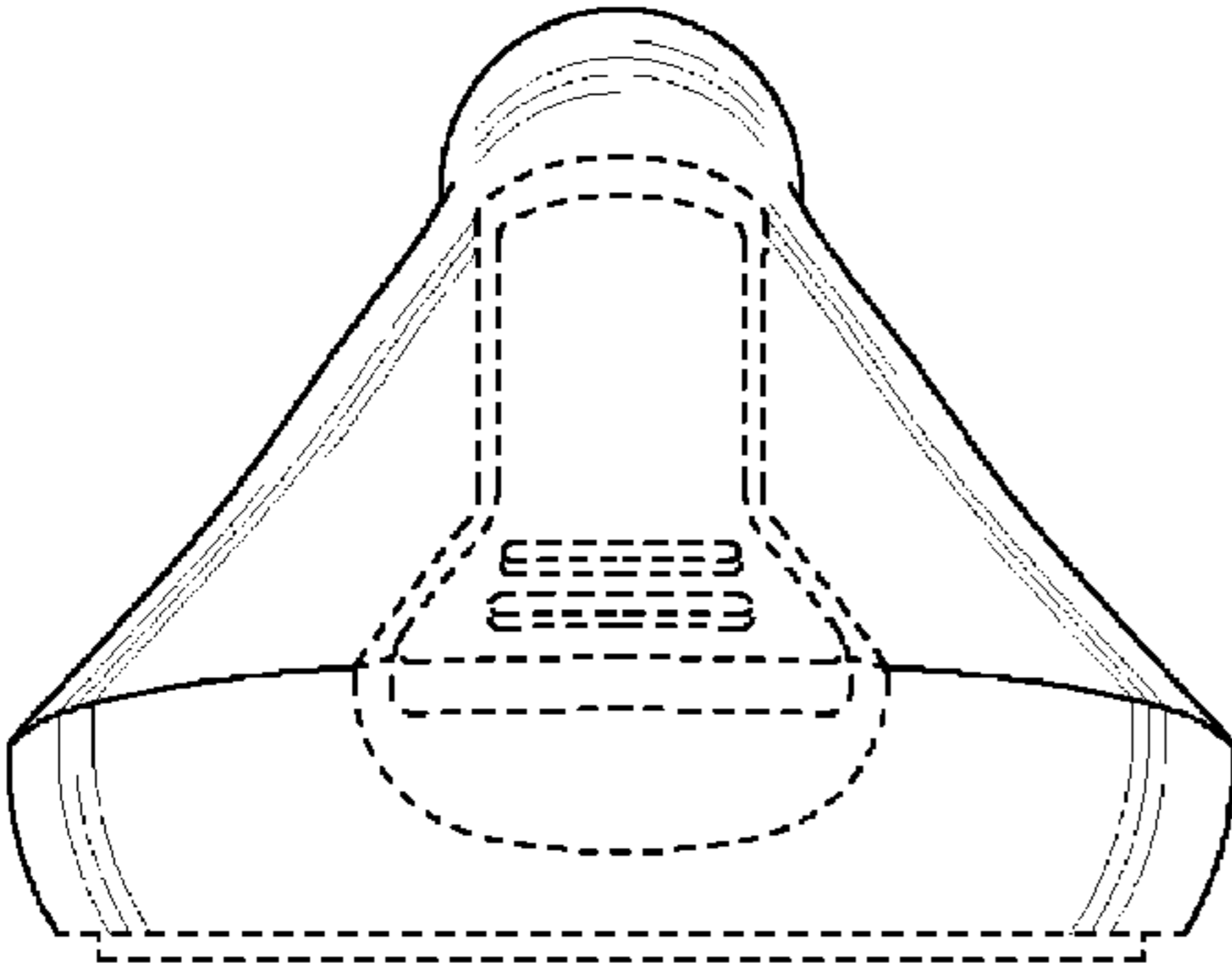


FIG. 4

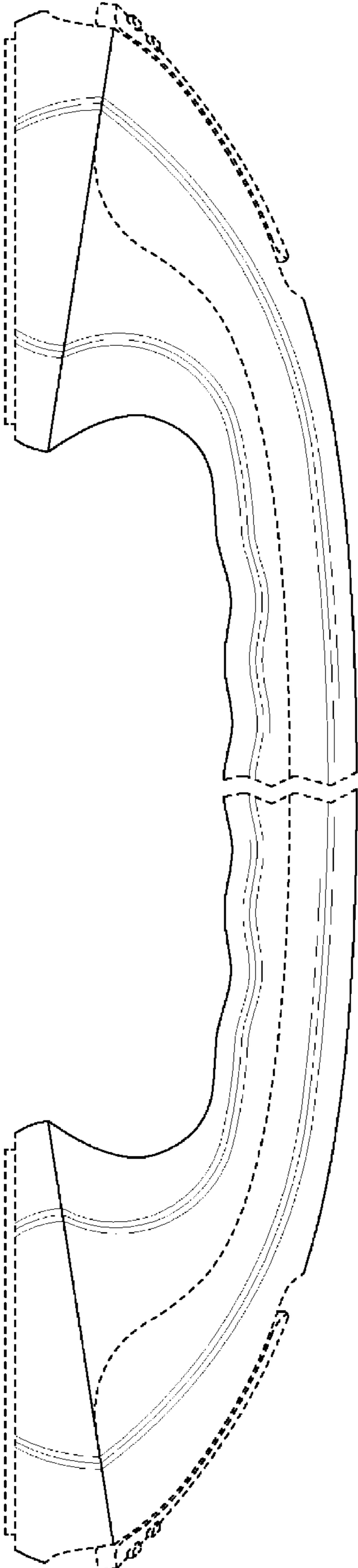


FIG. 5