



US00D639406S

(12) **United States Design Patent**
Bickerstaffe et al.

(10) **Patent No.:** **US D639,406 S**
(45) **Date of Patent:** **** Jun. 7, 2011**

(54) **PLUMBING FIXTURE**

(75) Inventors: **S. Mark Bickerstaffe**, Clevedon (GB);
Stefano Rossini, Rome (IT); **Alexander Durringer**, Rome (IT)

(73) Assignee: **Kohler France SAS**, Paris (FR)

(**) Term: **14 Years**

(21) Appl. No.: **29/358,466**

(22) Filed: **Mar. 26, 2010**

(30) **Foreign Application Priority Data**

Sep. 28, 2009 (EP) 001167381

(51) **LOC (9) Cl.** **23-02**

(52) **U.S. Cl.** **D23/300**

(58) **Field of Classification Search** D23/295.3,
D23/303, 309; 4/300, 329, 420, 443-444,
4/DIG. 15

See application file for complete search history.

(56) **References Cited**

U.S. PATENT DOCUMENTS

D273,701 S * 5/1984 Bengtson D23/300
D313,649 S * 1/1991 Kimes D23/300
D355,056 S * 1/1995 Burnet D23/301

OTHER PUBLICATIONS

Delafon. Wall mounted plumbing fixture. Jacobdelafon.com online catalog.

Nameeks Art. Scarabeo One-Piece Toilet, White, Model No. 8208. FixtureUniverse.com online catalog. Copyright 1999-2009 Allied Trade Group, Inc.

Kohler. Purist Hatbox Toilet K-3492. Kohler.com online catalog.

* cited by examiner

Primary Examiner — Robert A Delehanty

(74) *Attorney, Agent, or Firm* — Quarles & Brady LLP

(57) **CLAIM**

The ornamental design for a plumbing fixture, as shown and described.

DESCRIPTION

FIG. 1 is a right, top, front perspective view of a plumbing fixture embodying our new design;

FIG. 2 is a front elevational view thereof;

FIG. 3 is a top plan view thereof;

FIG. 4 is a left side elevational view thereof;

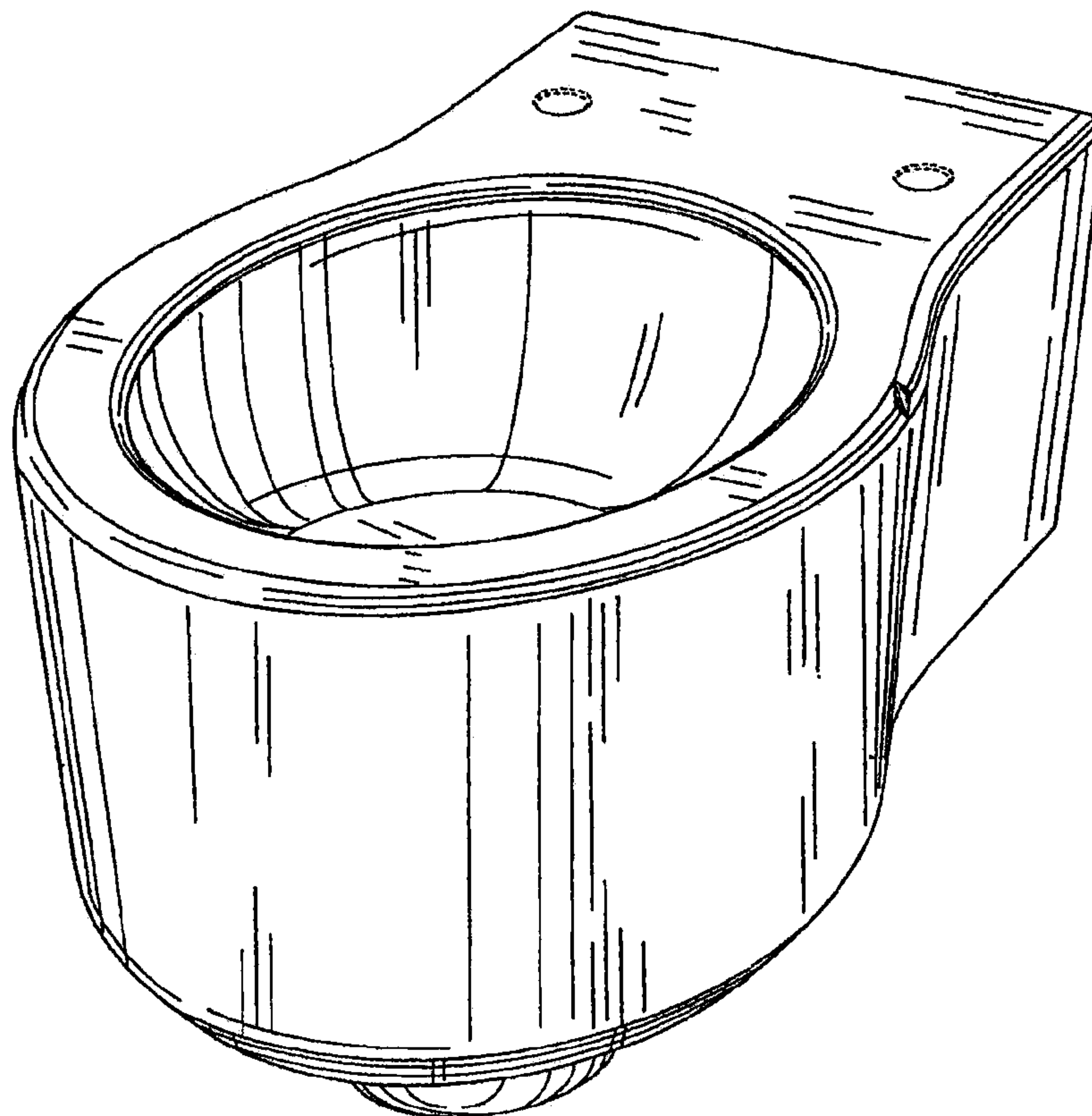
FIG. 5 is a right side elevational view thereof; and,

FIG. 6 is a rear elevational view thereof.

The broken line representations in the figures are for the purpose of illustration only, and form no part of the claimed design.

In a preferred embodiment, the nature of this product is a plumbing fixture in the form of a wall-mounted toilet.

1 Claim, 6 Drawing Sheets



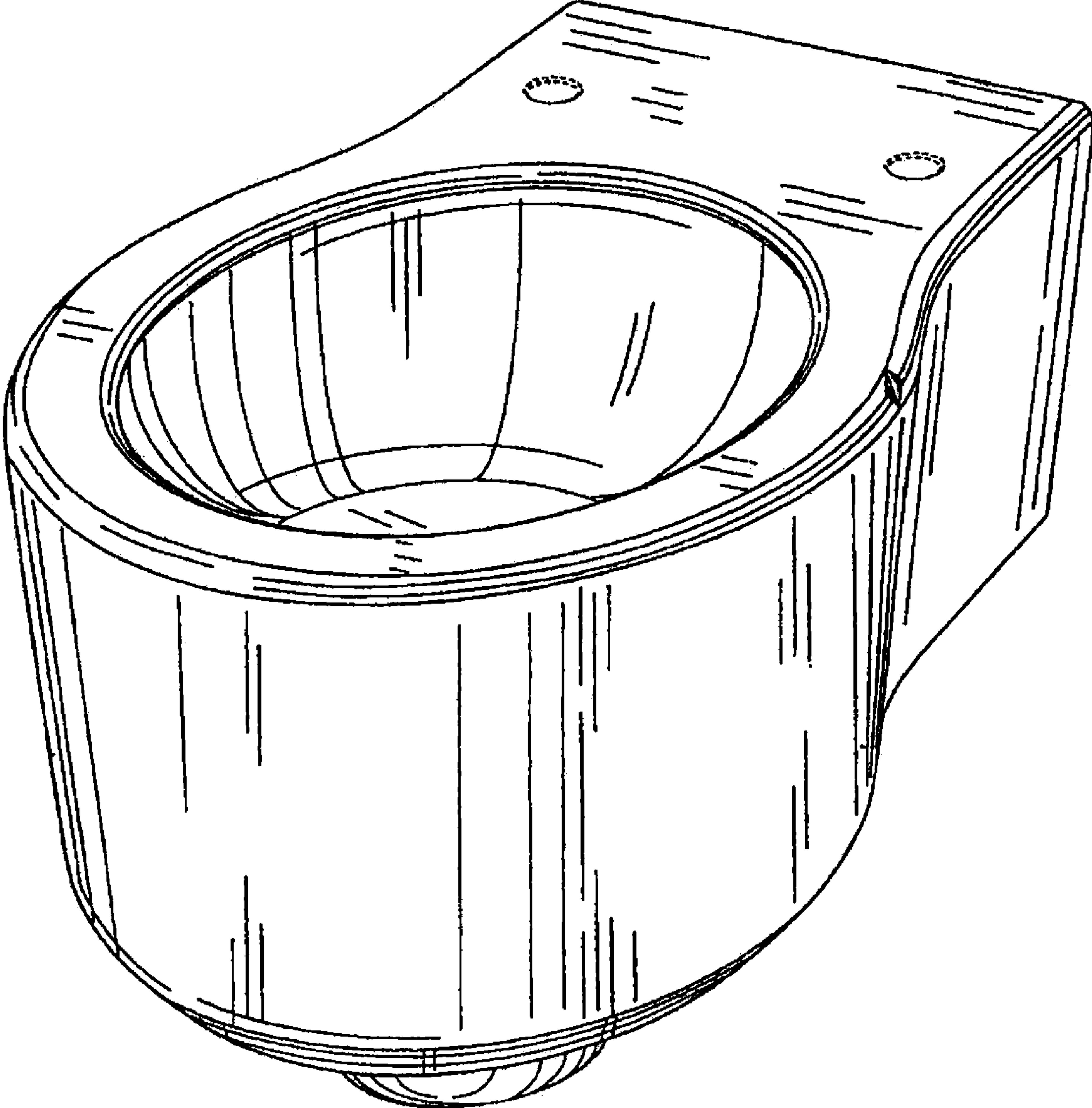


FIG. 1

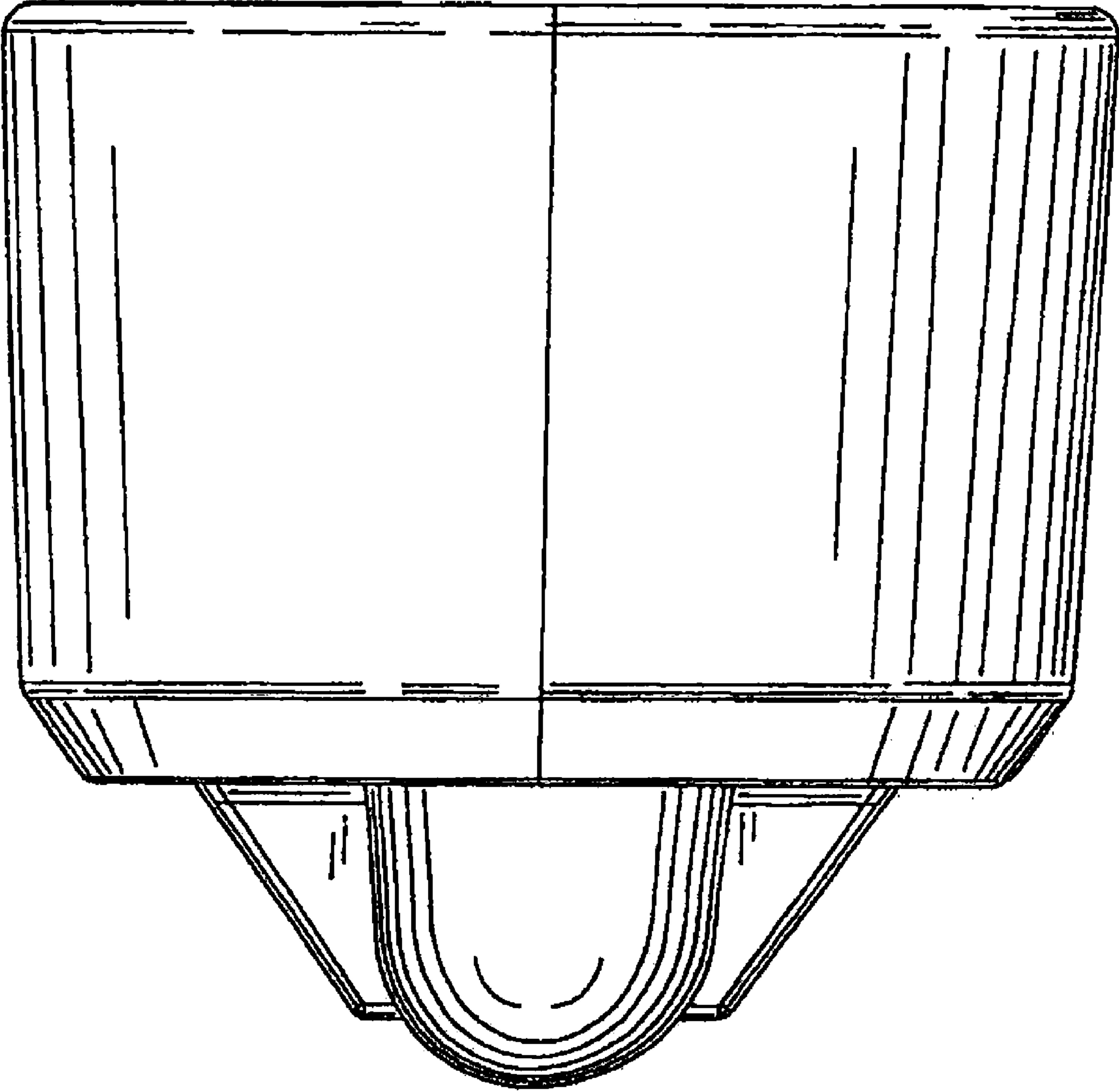


FIG. 2

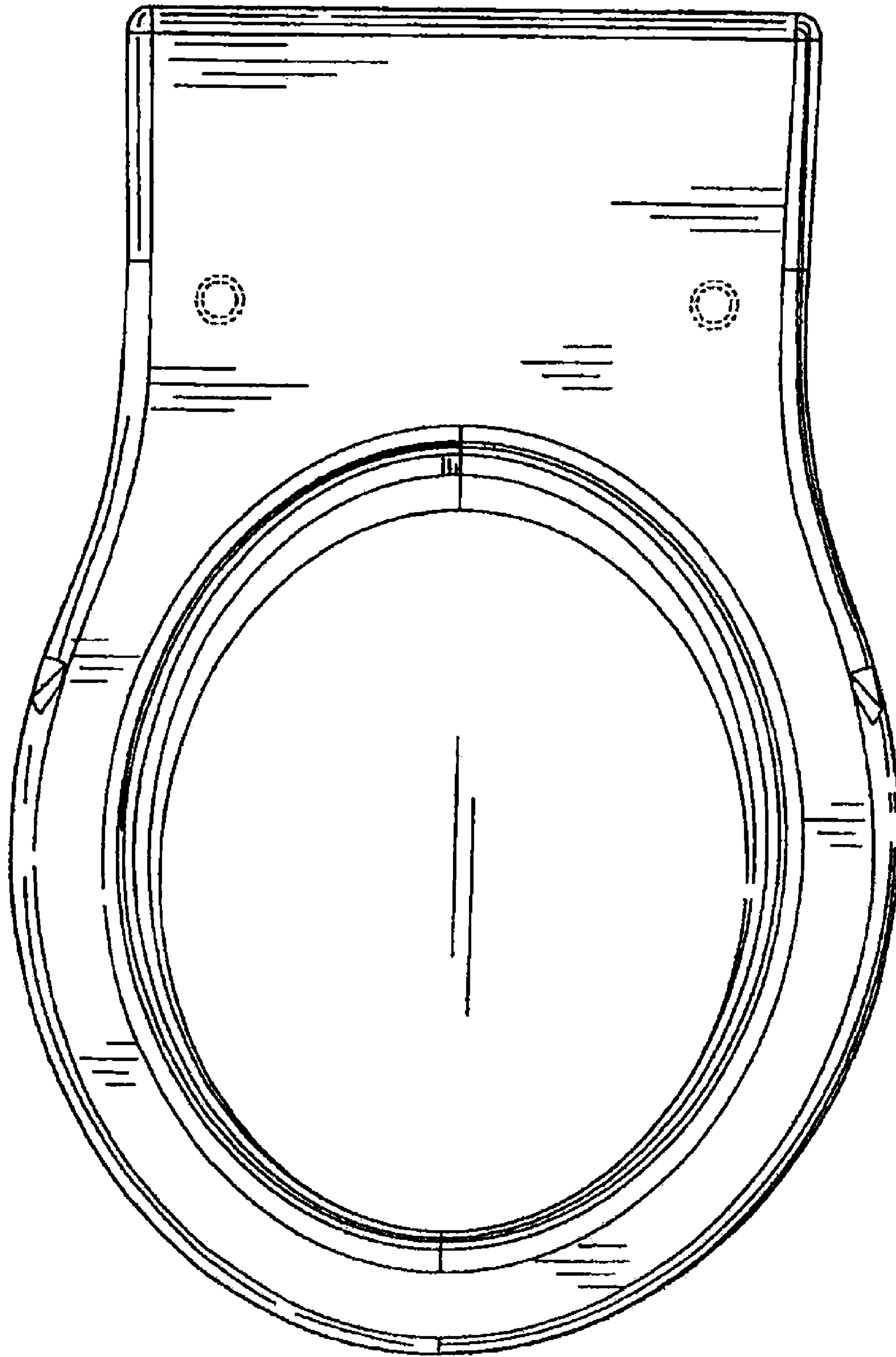


FIG. 3

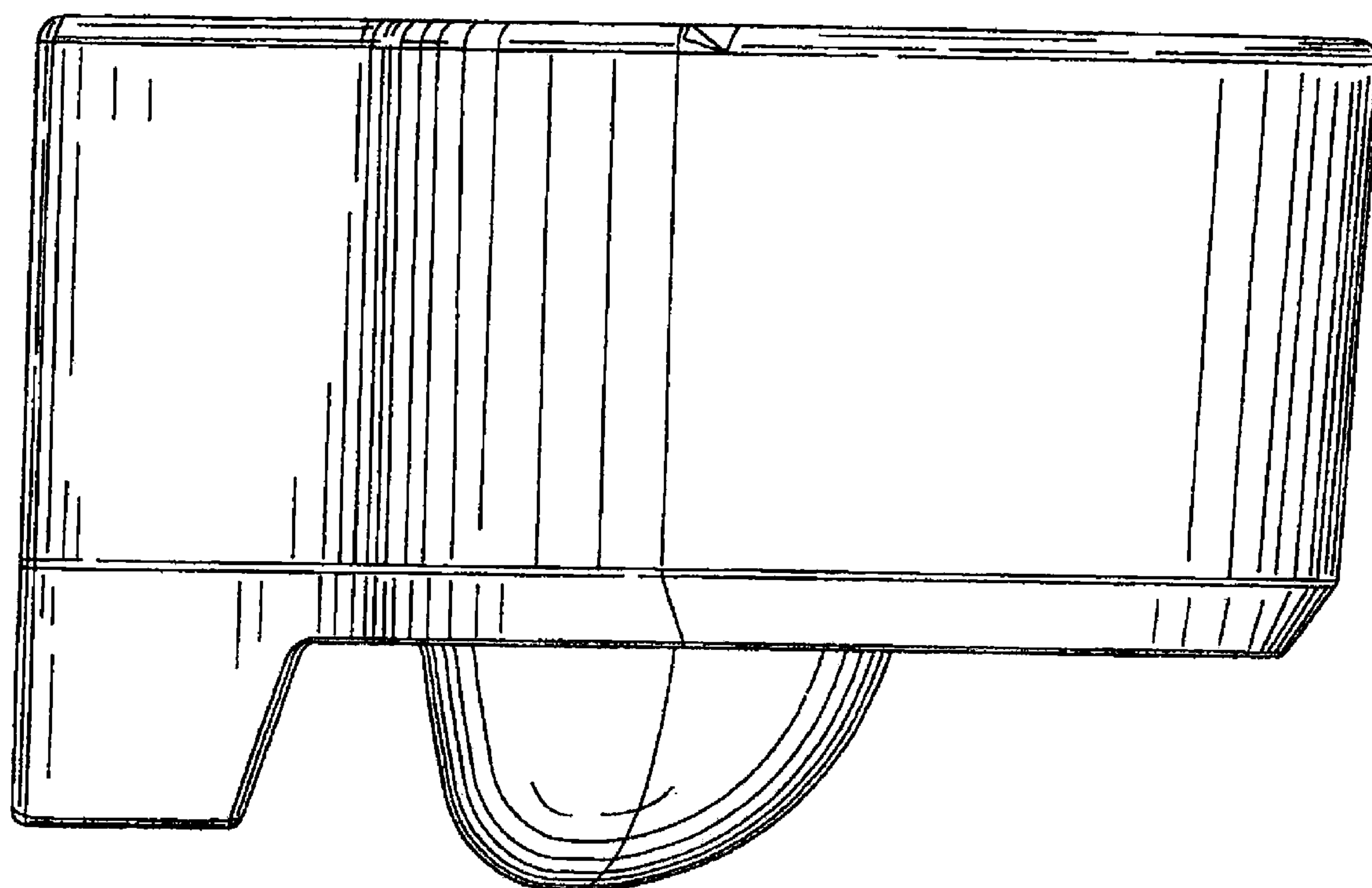


FIG. 4

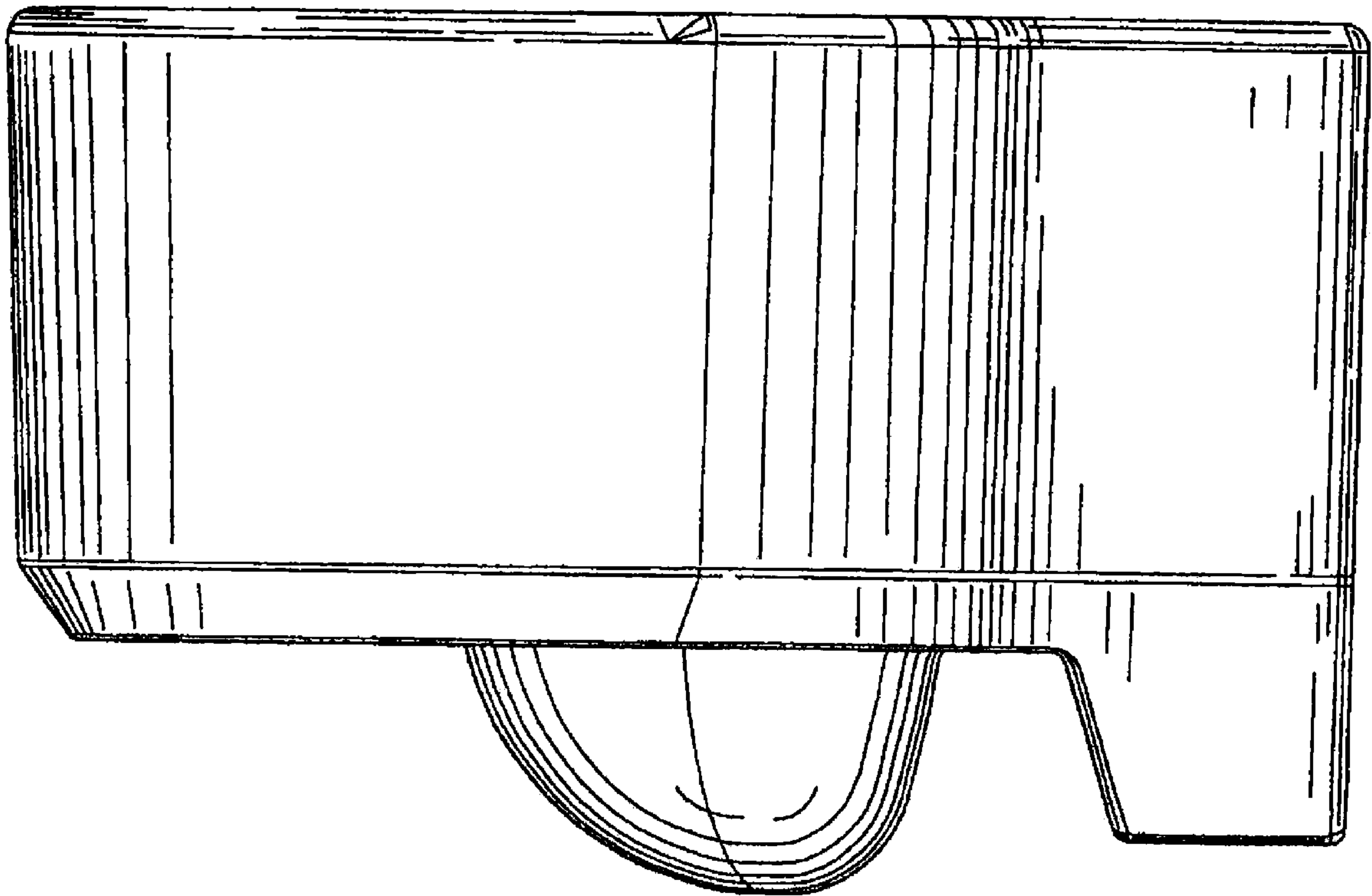


FIG. 5

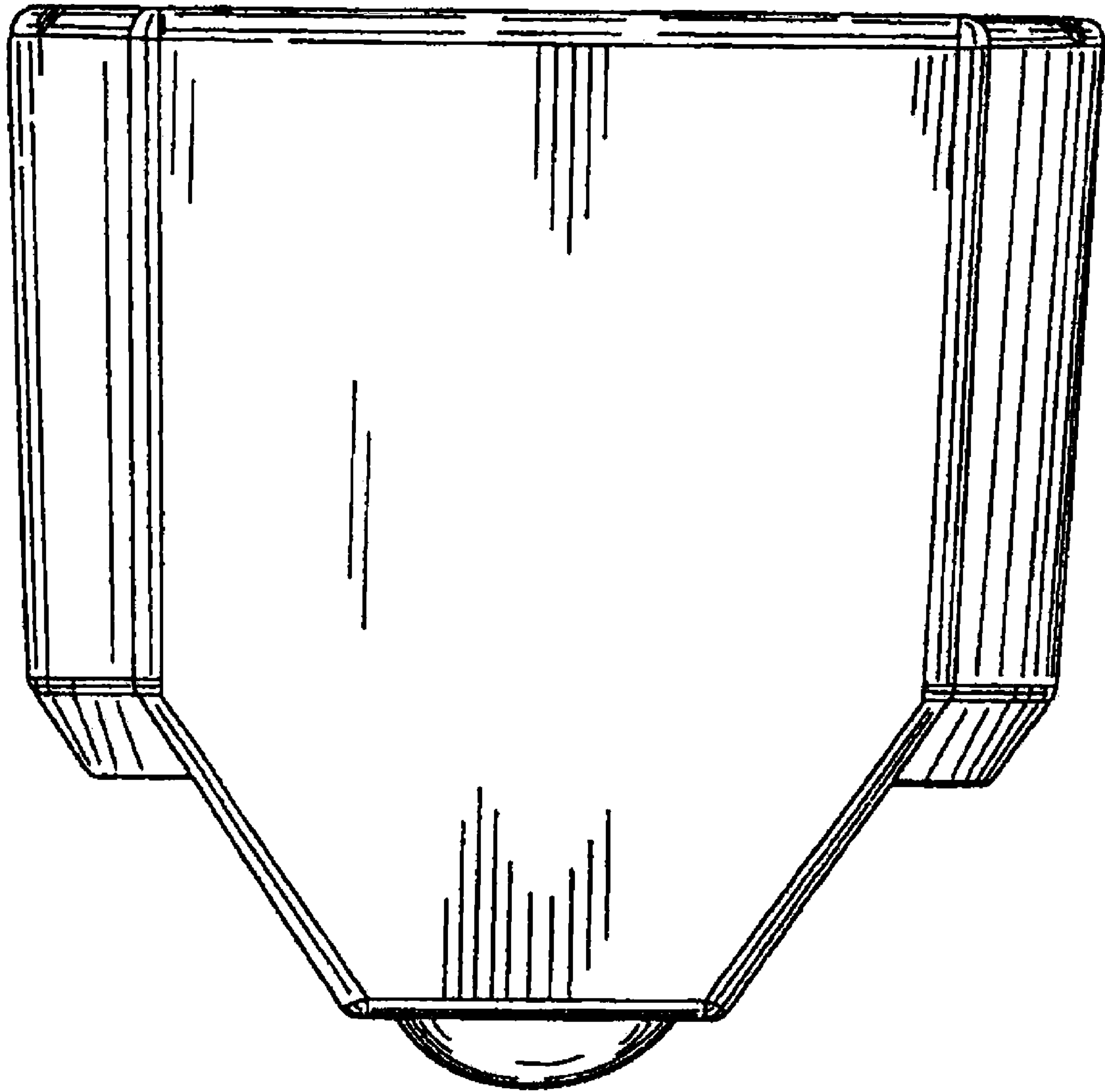


FIG. 6