



US00D639405S

(12) **United States Design Patent**
Miller

(10) **Patent No.:** **US D639,405 S**

(45) **Date of Patent:** **** Jun. 7, 2011**

(54) **TRAIN-SHAPED TOILET**

(76) Inventor: **Connie L. Miller**, Canton, OH (US)

(**) Term: **14 Years**

(21) Appl. No.: **29/368,692**

(22) Filed: **Aug. 27, 2010**

(51) **LOC (9) Cl.** **23-02**

(52) **U.S. Cl.** **D23/297**

(58) **Field of Classification Search** D23/296-298,
D23/309; 4/301

See application file for complete search history.

(56) **References Cited**

U.S. PATENT DOCUMENTS

D75,527 S * 6/1928 Schoenhut D21/541
D321,246 S * 10/1991 Lambdin D23/297
D388,160 S * 12/1997 Simmons D23/297

D436,145 S * 1/2001 Chan D21/541
D484,195 S * 12/2003 Shippy D21/540
D509,576 S * 9/2005 Williams D23/297

* cited by examiner

Primary Examiner — Robert Delehanty

(74) *Attorney, Agent, or Firm* — Sand & Sebolt

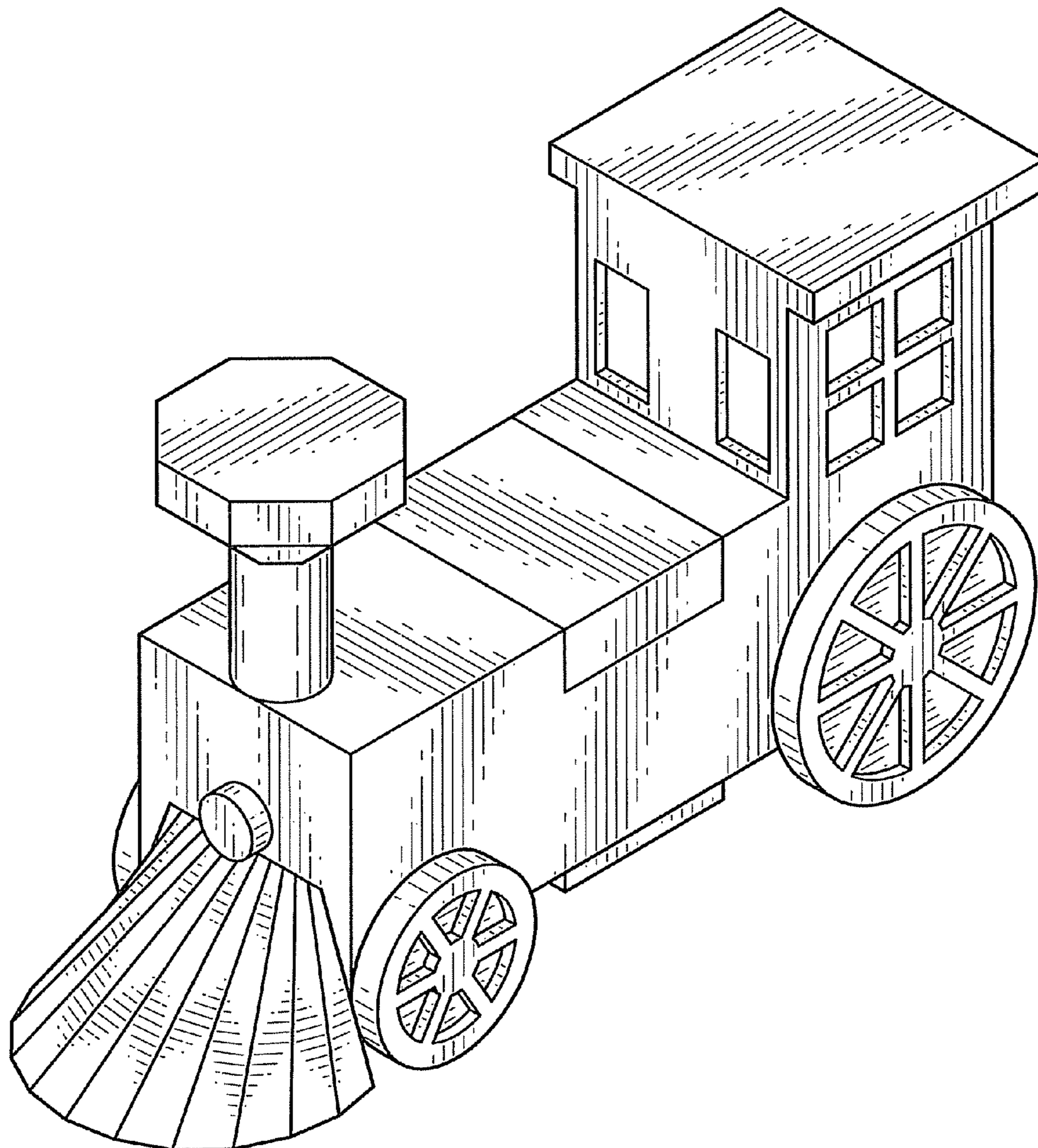
(57) **CLAIM**

The ornamental design for a train-shaped toilet, as shown and described.

DESCRIPTION

FIG. 1 is a perspective view of a train-shaped toilet;
FIG. 2 is a left side elevation view;
FIG. 3 is a right side elevation view;
FIG. 4 is a bottom plan view;
FIG. 5 is a top plan view;
FIG. 6 is a front elevation view; and,
FIG. 7 is a rear elevation view.

1 Claim, 4 Drawing Sheets



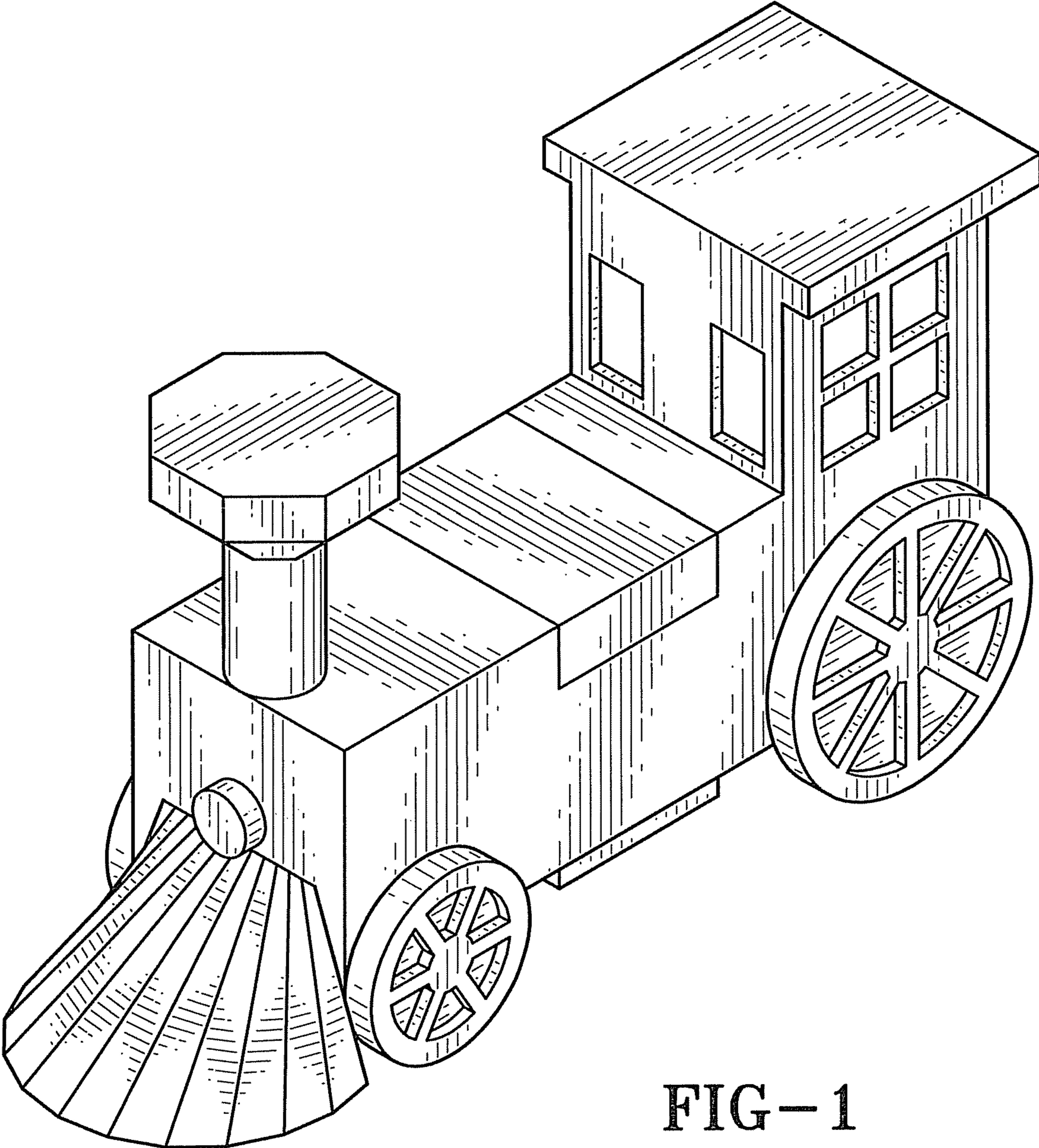


FIG-1

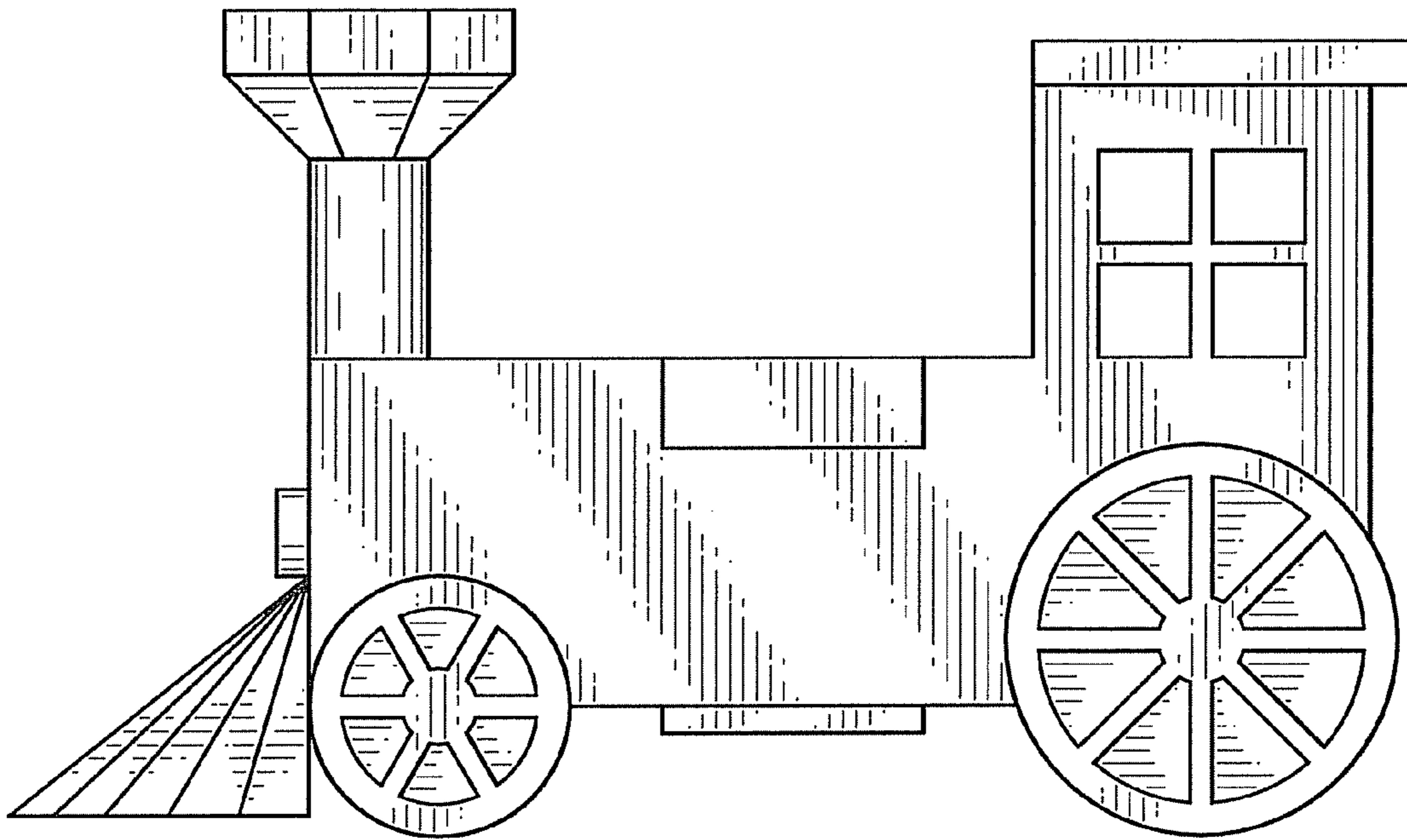


FIG-2

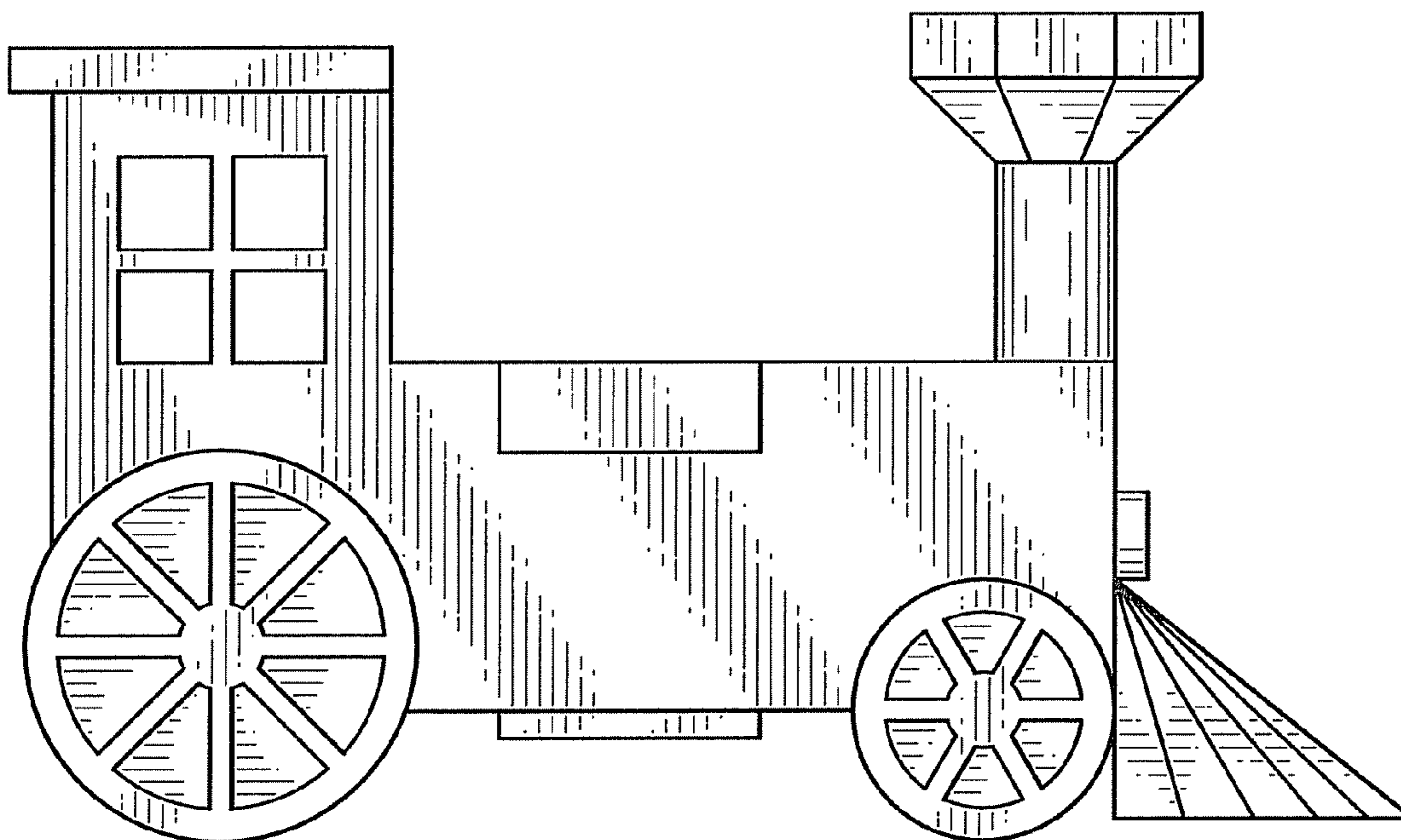


FIG-3

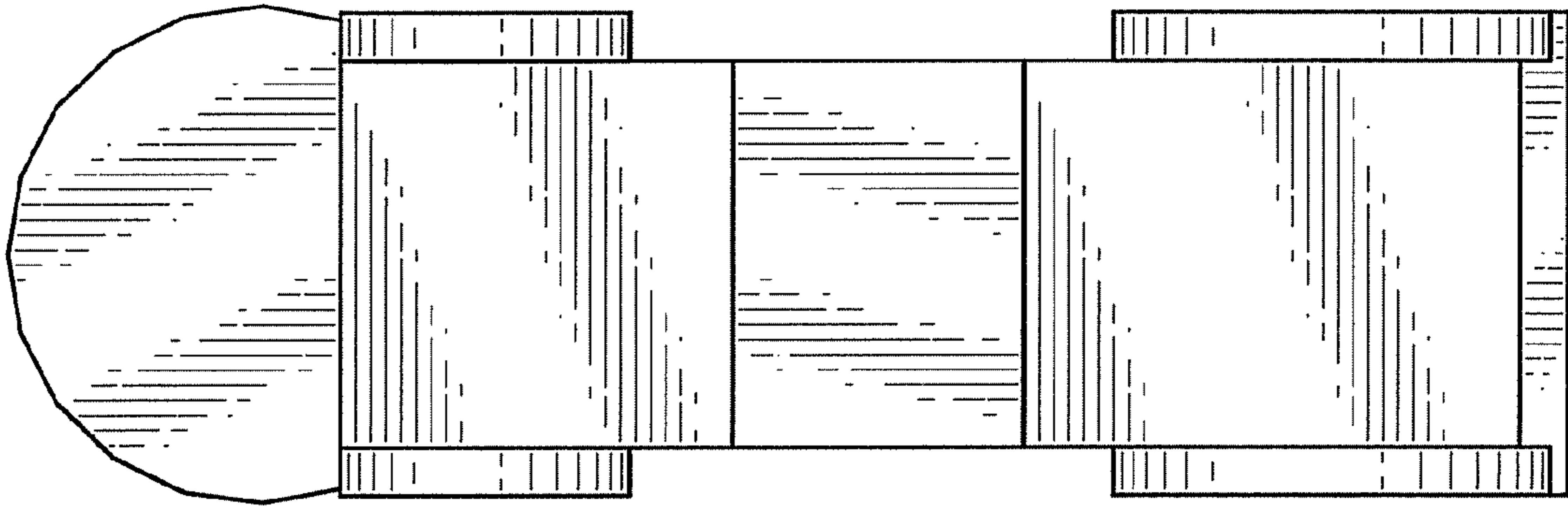


FIG-4

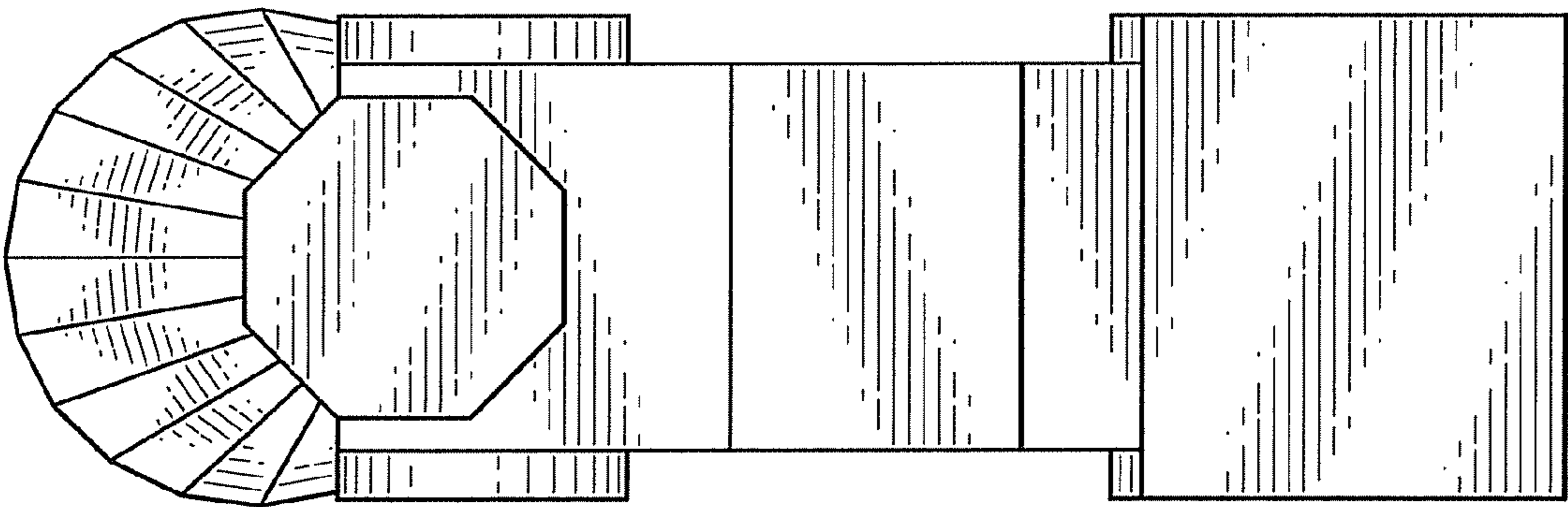


FIG-5

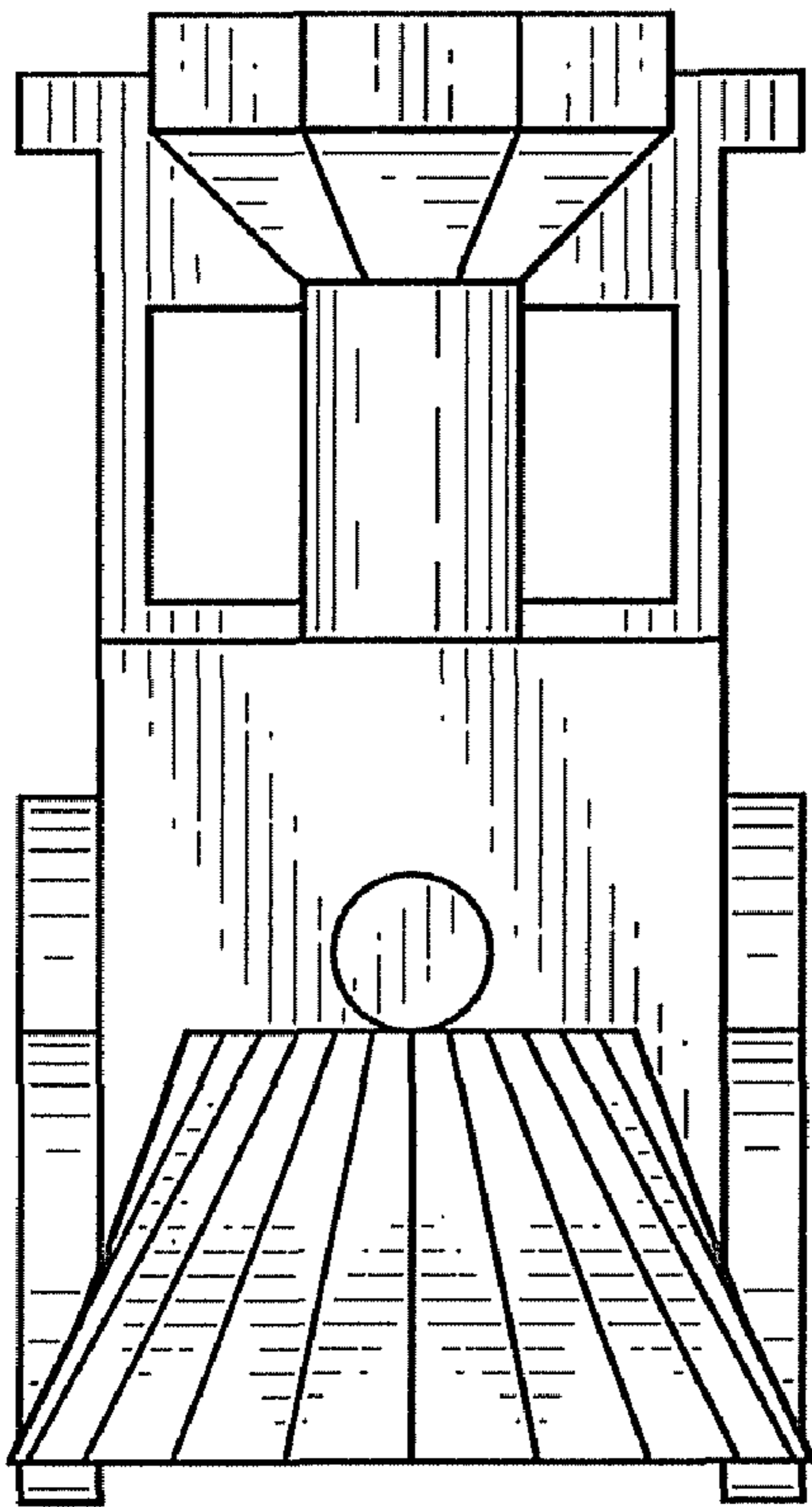


FIG-6

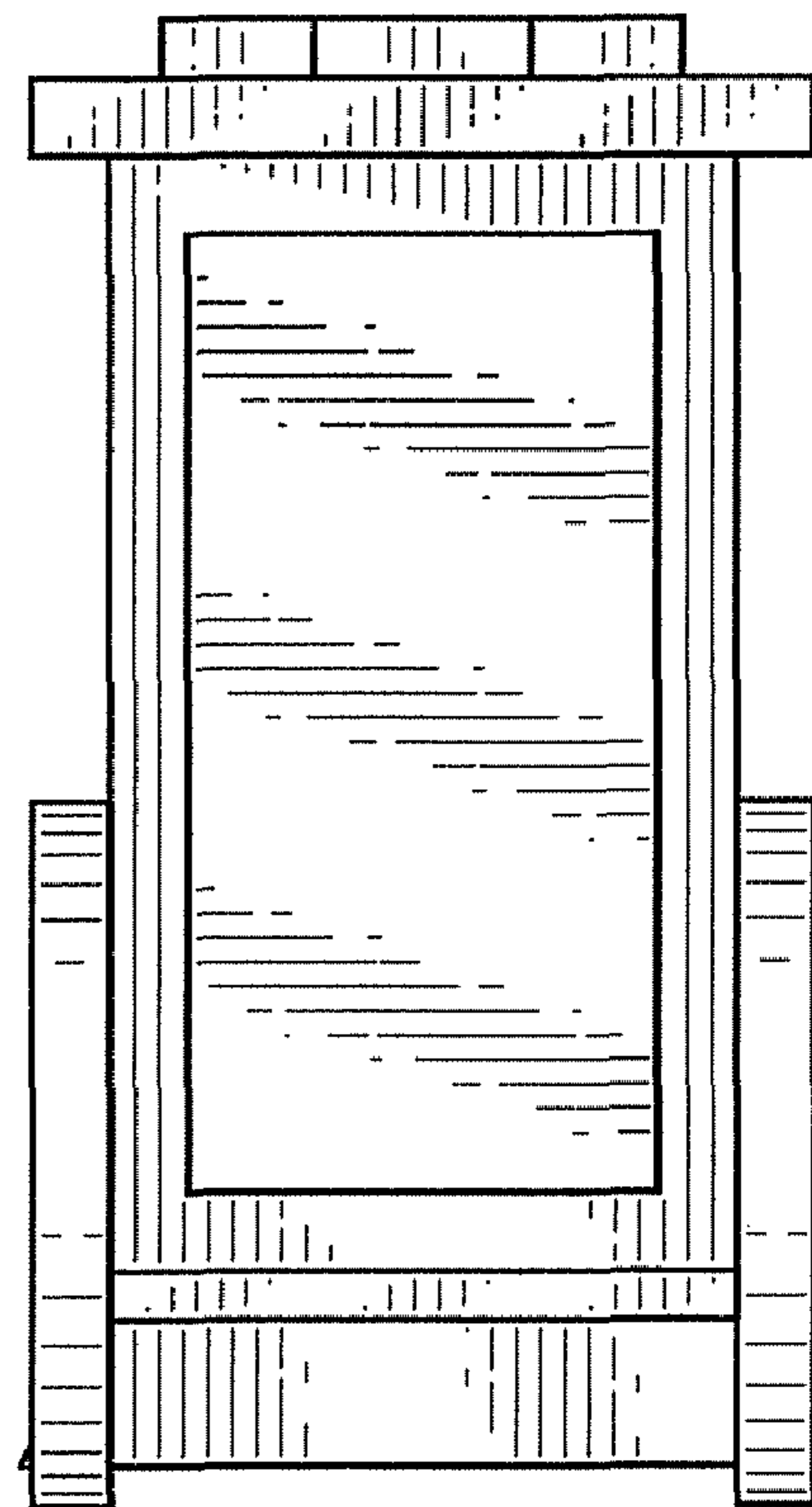


FIG-7