



US00D639404S

(12) **United States Design Patent**
Tu

(10) **Patent No.:** **US D639,404 S**

(45) **Date of Patent:** **** Jun. 7, 2011**

(54) **BABIES' POTTY**

(75) Inventor: **Wen-Chih Tu**, Tainan County (TW)

(73) Assignee: **Bei Yu Industrial Co.**, Tainan Hsien (TW)

(**) Term: **14 Years**

(21) Appl. No.: **29/364,091**

(22) Filed: **Jun. 18, 2010**

(51) **LOC (9) Cl.** **23-02**

(52) **U.S. Cl.** **D23/296**

(58) **Field of Classification Search** D23/296,
D23/299, 303, 309; 4/902

See application file for complete search history.

(56) **References Cited**

U.S. PATENT DOCUMENTS

D311,058 S * 10/1990 Brunel D23/296

D367,106 S * 2/1996 Jakobson et al. D23/296
* cited by examiner

Primary Examiner — Robert A Delehanty

(74) *Attorney, Agent, or Firm* — Rosenberg, Klein & Lee

(57) **CLAIM**

The ornamental design for a babies' potty, as shown and described.

DESCRIPTION

FIG. 1 is a perspective view of a babies' potty showing my new design;

FIG. 2 is a front elevational view thereof;

FIG. 3 is a rear elevational view thereof;

FIG. 4 is a left side elevational view thereof;

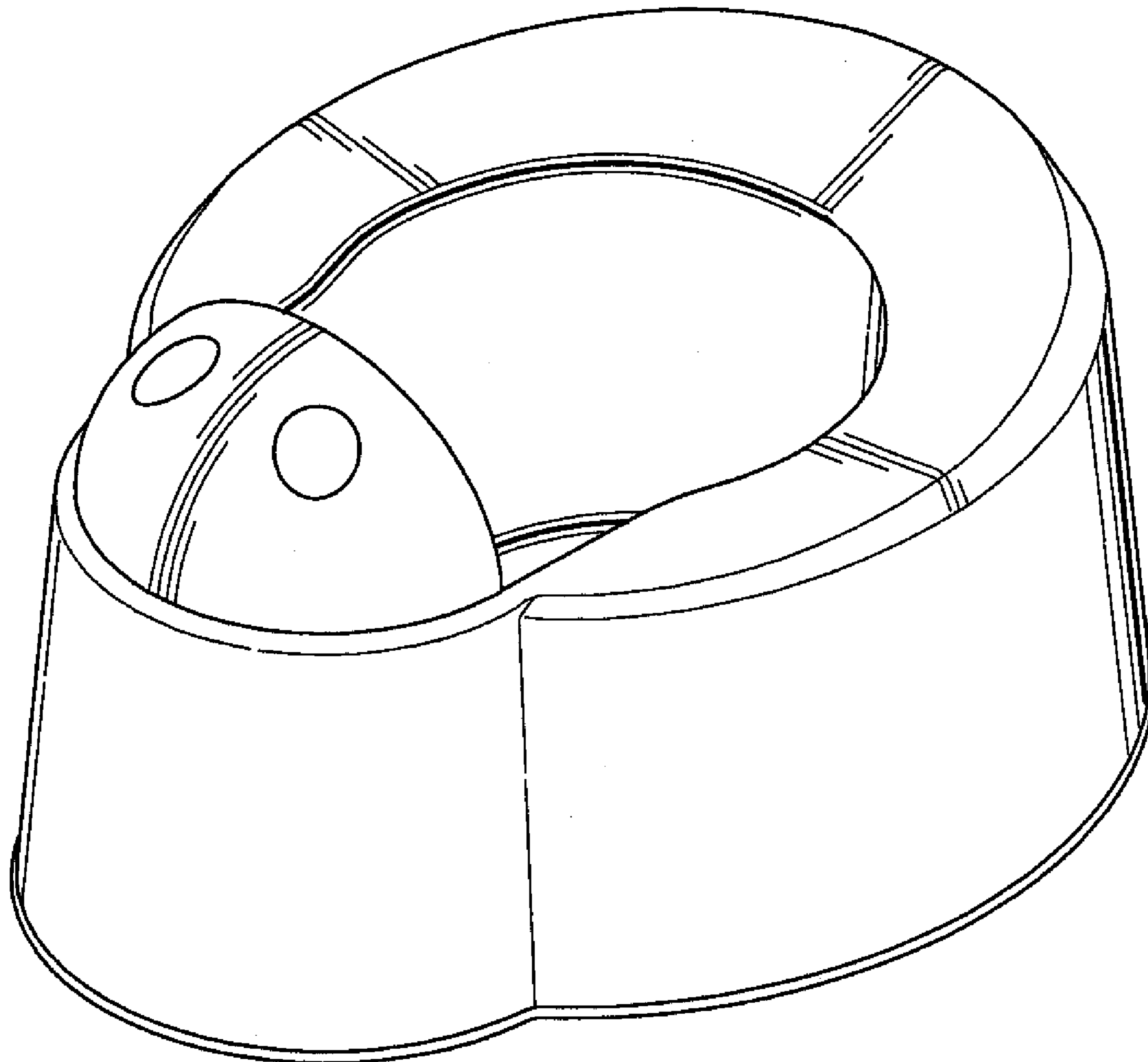
FIG. 5 is a right side elevational view thereof;

FIG. 6 is a top plan view thereof; and,

FIG. 7 is a bottom plan view thereof.

The broken line showing the bottom view is included for the purpose of illustrating a portion of the potty that forms no part of the claimed design.

1 Claim, 7 Drawing Sheets



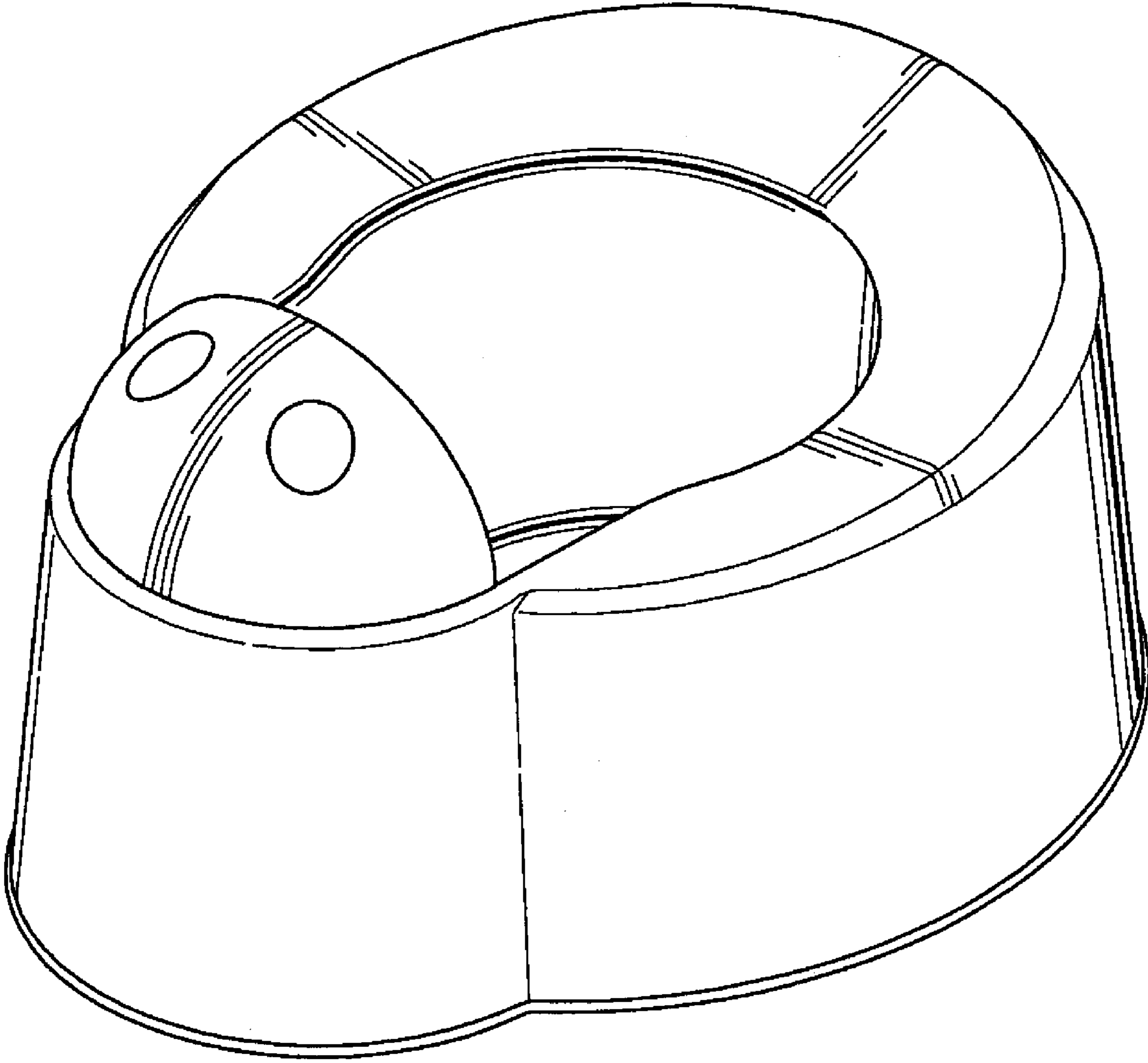


FIG . 1

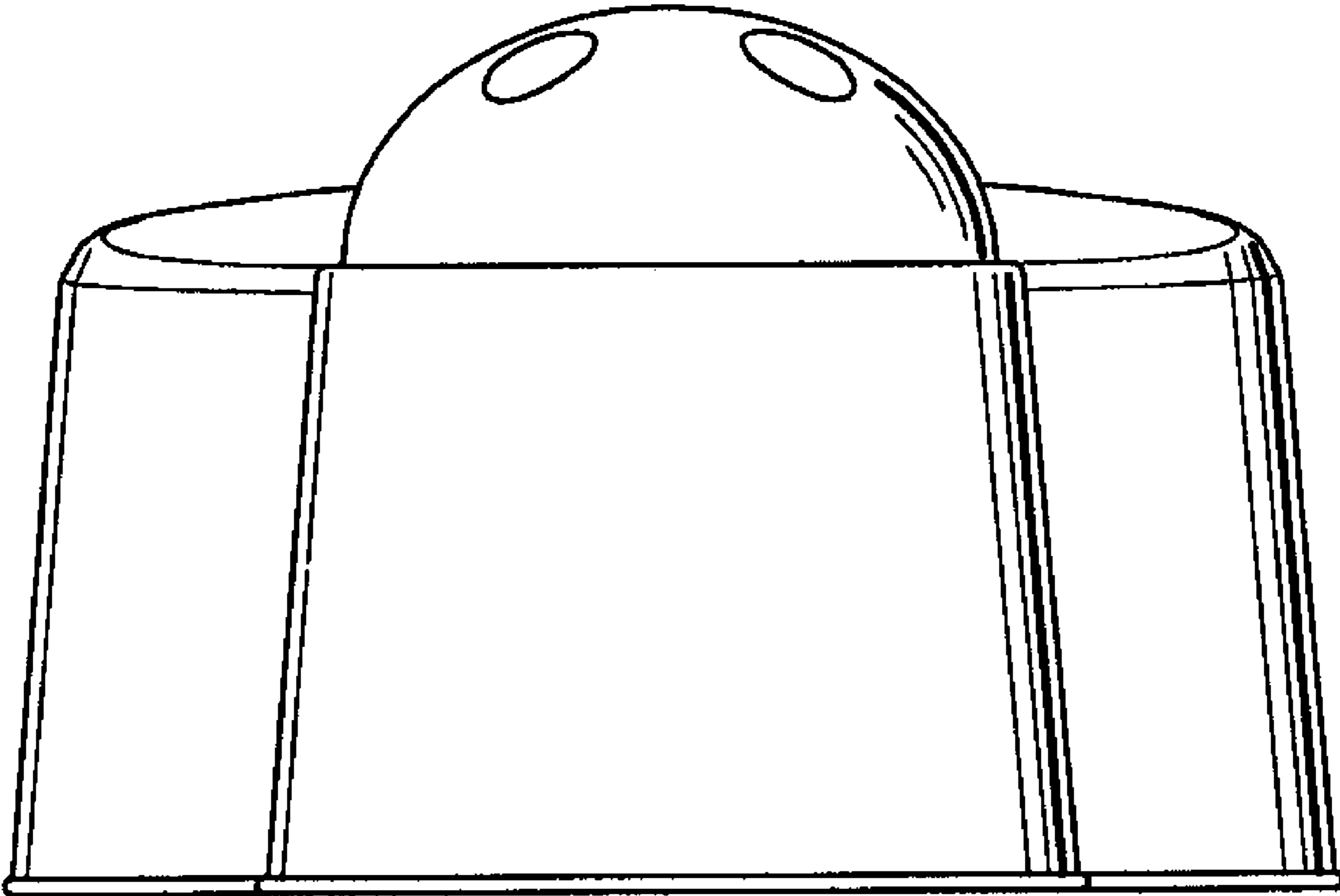


FIG . 2

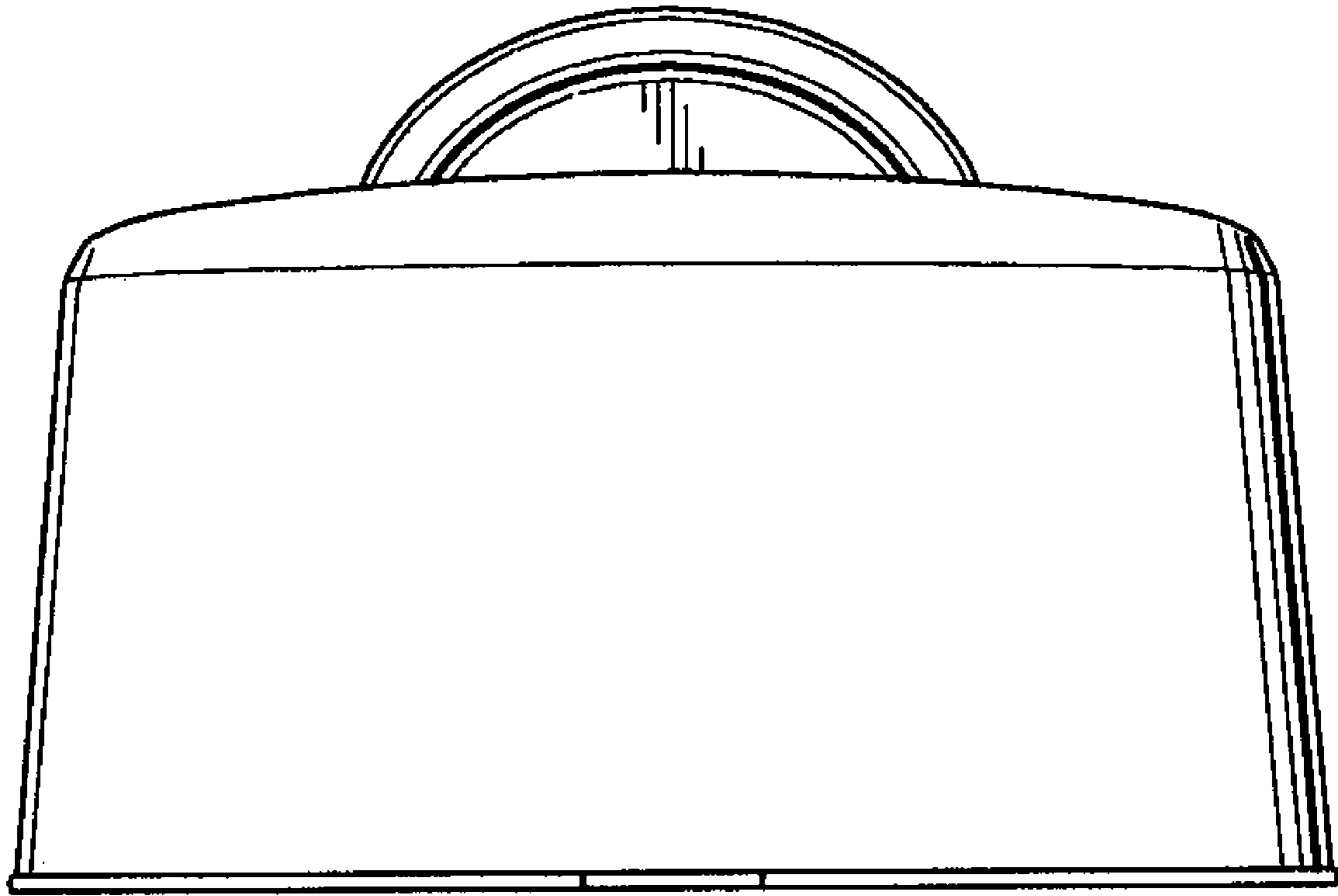


FIG . 3

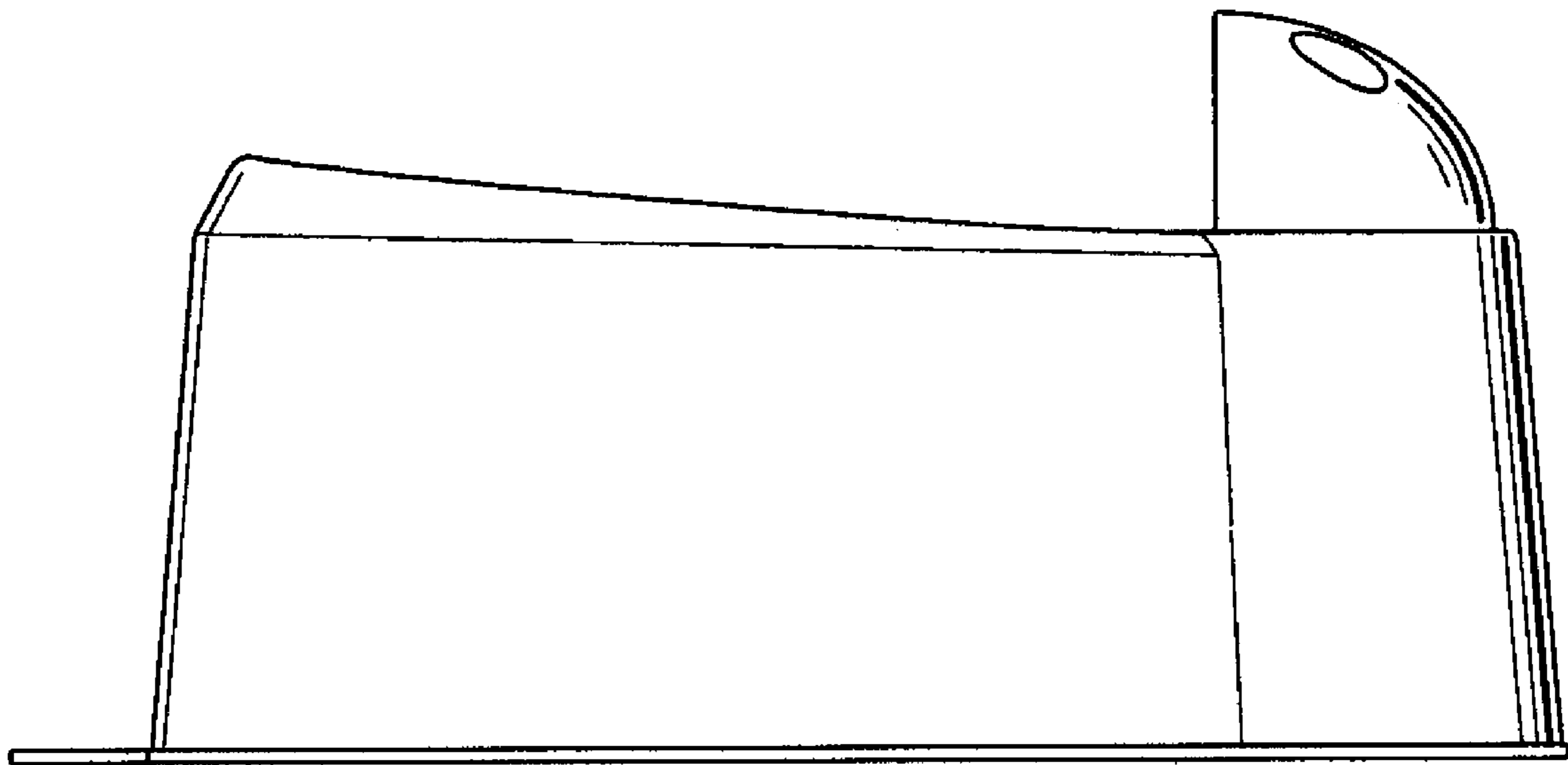


FIG . 4

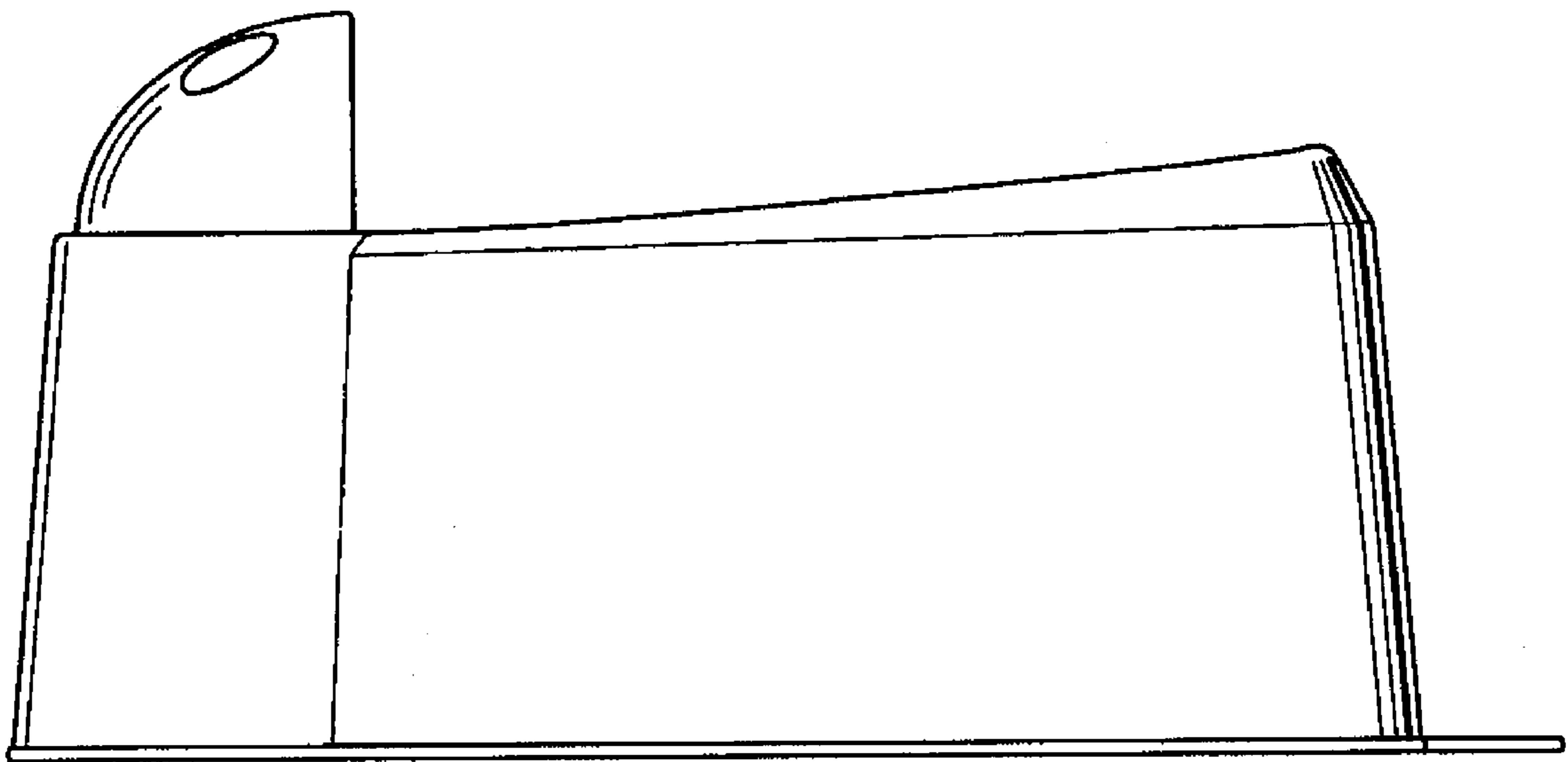


FIG . 5

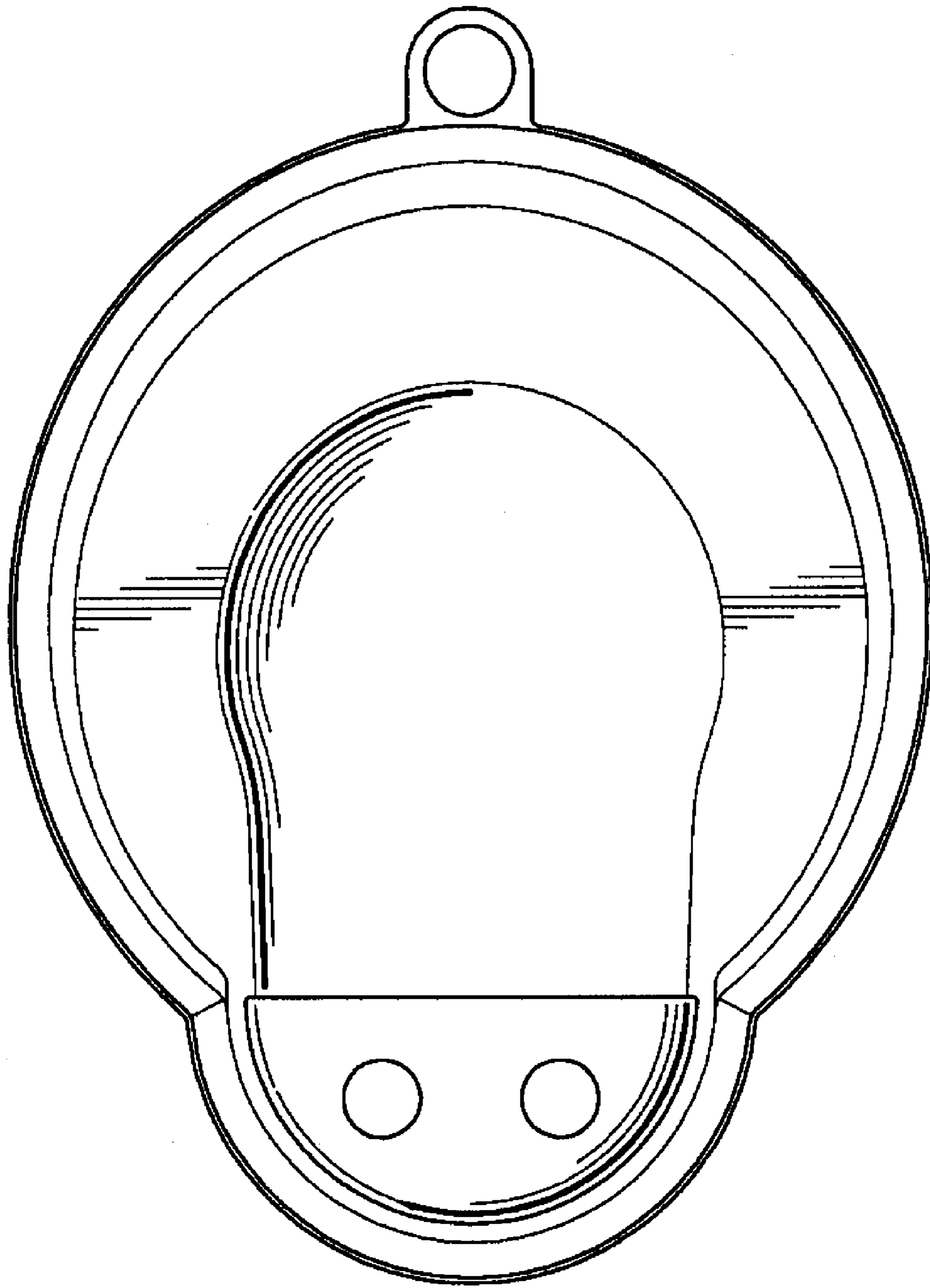


FIG . 6

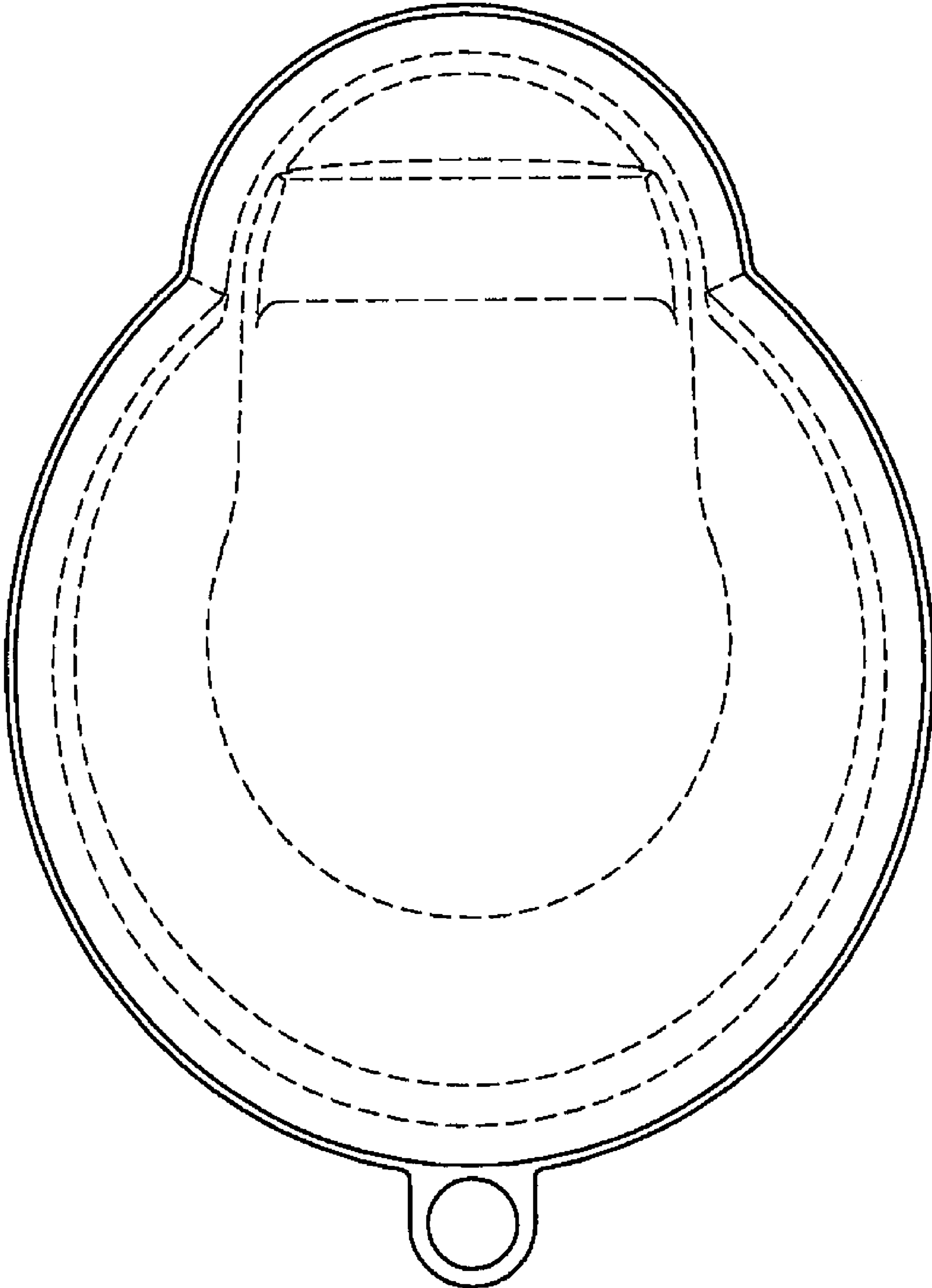


FIG . 7