

US00D639401S

(12) **United States Design Patent**  
**Starck**

(10) **Patent No.:** **US D639,401 S**

(45) **Date of Patent:** **\*\* Jun. 7, 2011**

(54) **INTEGRATED TOILET**

(75) Inventor: **Philippe Starck**, Paris (FR)

(73) Assignee: **Duravit AG**, Hornberg (DE)

(\*\*) Term: **14 Years**

(21) Appl. No.: **29/367,139**

(22) Filed: **Aug. 3, 2010**

(30) **Foreign Application Priority Data**

Feb. 25, 2010 (CN) ..... 2010 3 0119915

(51) **LOC (9) Cl.** ..... **23-02**

(52) **U.S. Cl.** ..... **D23/295**

(58) **Field of Classification Search** ..... D23/295,  
D23/309; 4/300, 329, 420, 443-444, DIG. 15

See application file for complete search history.

(56) **References Cited**

U.S. PATENT DOCUMENTS

D586,893 S \* 2/2009 Cummings et al. .... D23/295

D600,333 S \* 9/2009 Liu ..... D23/295

\* cited by examiner

*Primary Examiner* — Robert A Delehanty

(74) *Attorney, Agent, or Firm* — Faegre & Benson LLP

(57) **CLAIM**

The ornamental design for integrated toilet, as shown and described.

**DESCRIPTION**

FIG. 1 is a front perspective view.

FIG. 2 is a front view.

FIG. 3 is a back view.

FIG. 4 is a right side view.

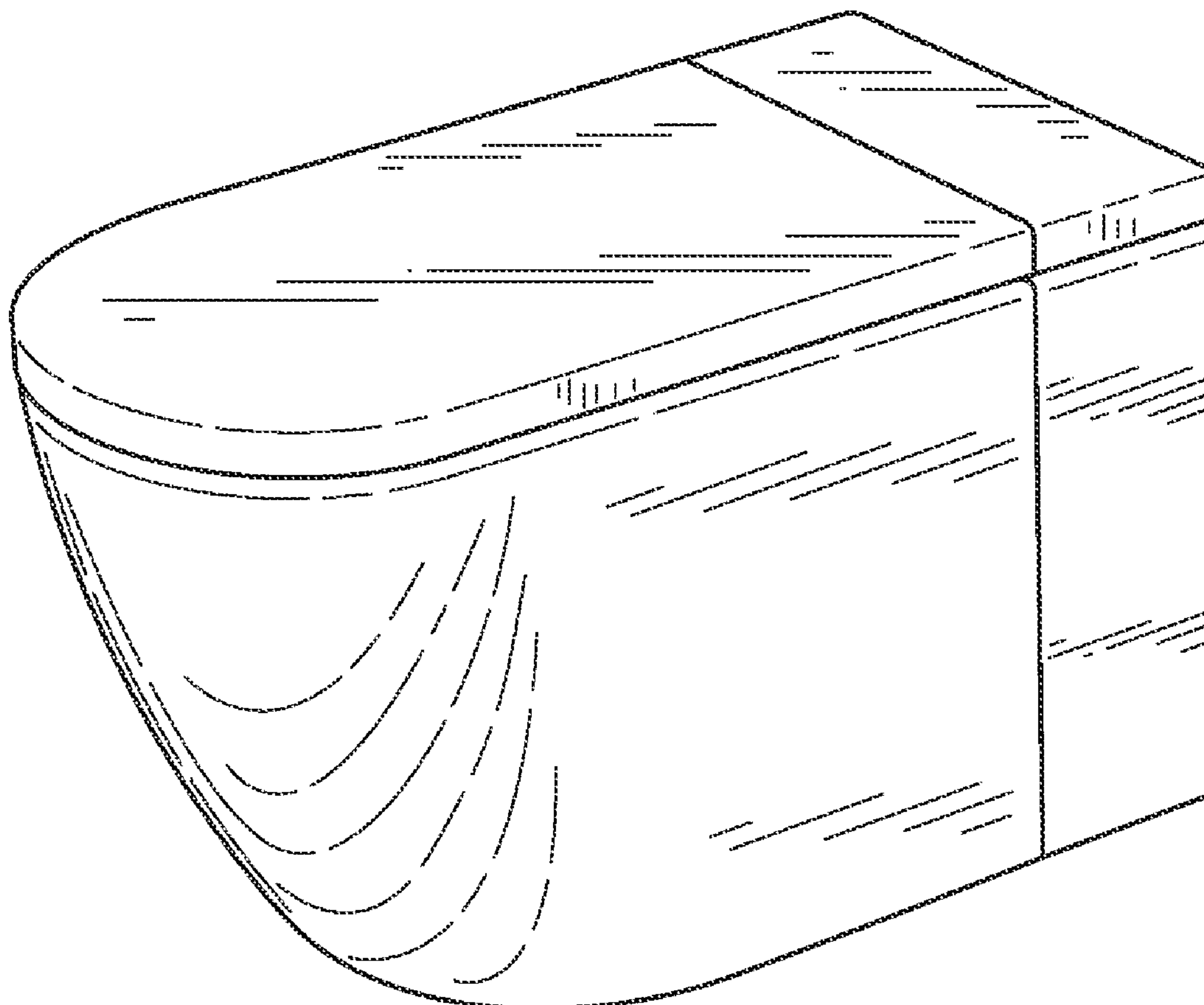
FIG. 5 is a left side view.

FIG. 6 is a top view; and,

FIG. 7 is a bottom view.

The broken line showing of the bottom is for illustrative purpose only and forms no part of the claimed design.

**1 Claim, 7 Drawing Sheets**



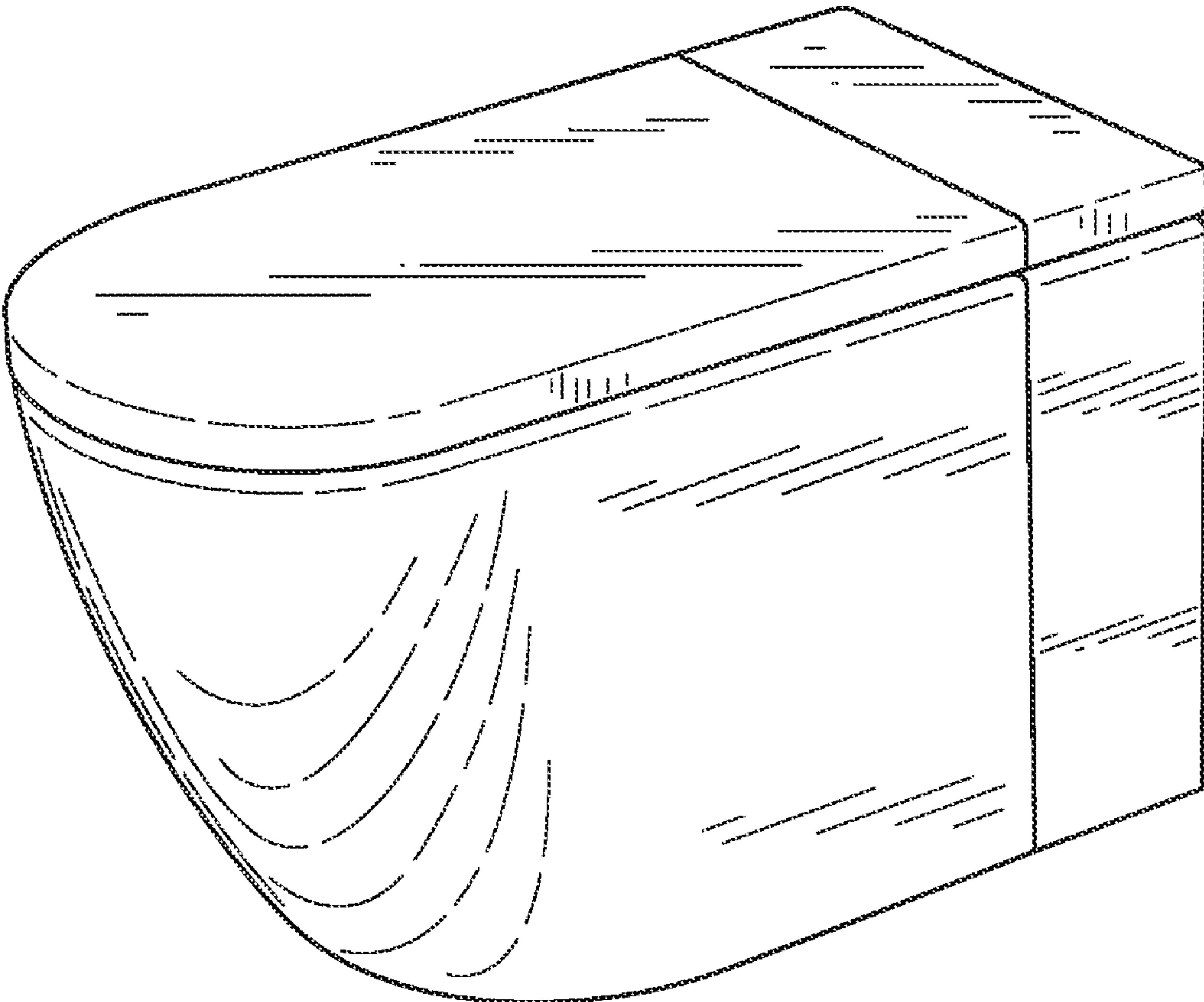


FIG. 1

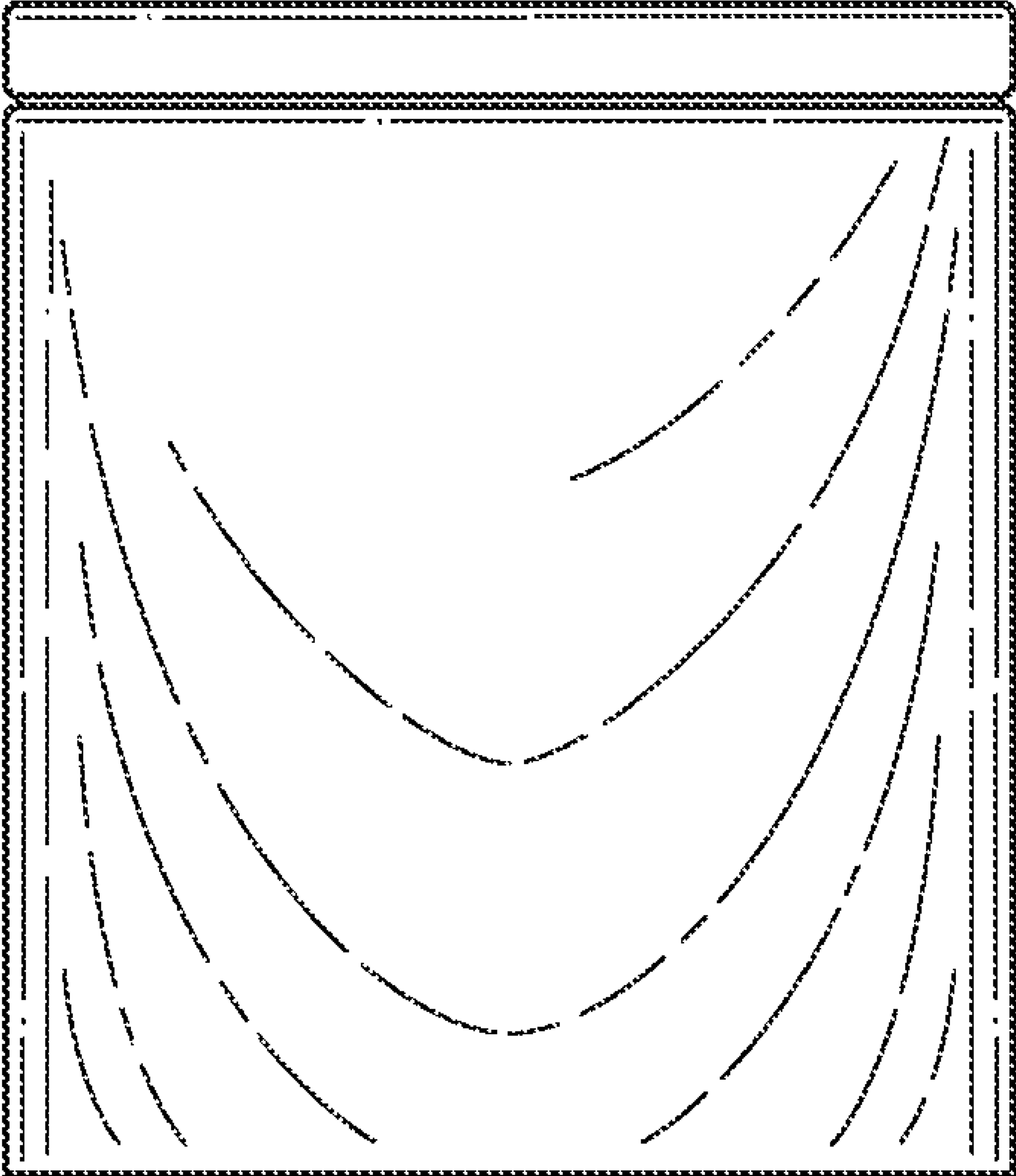


FIG. 2

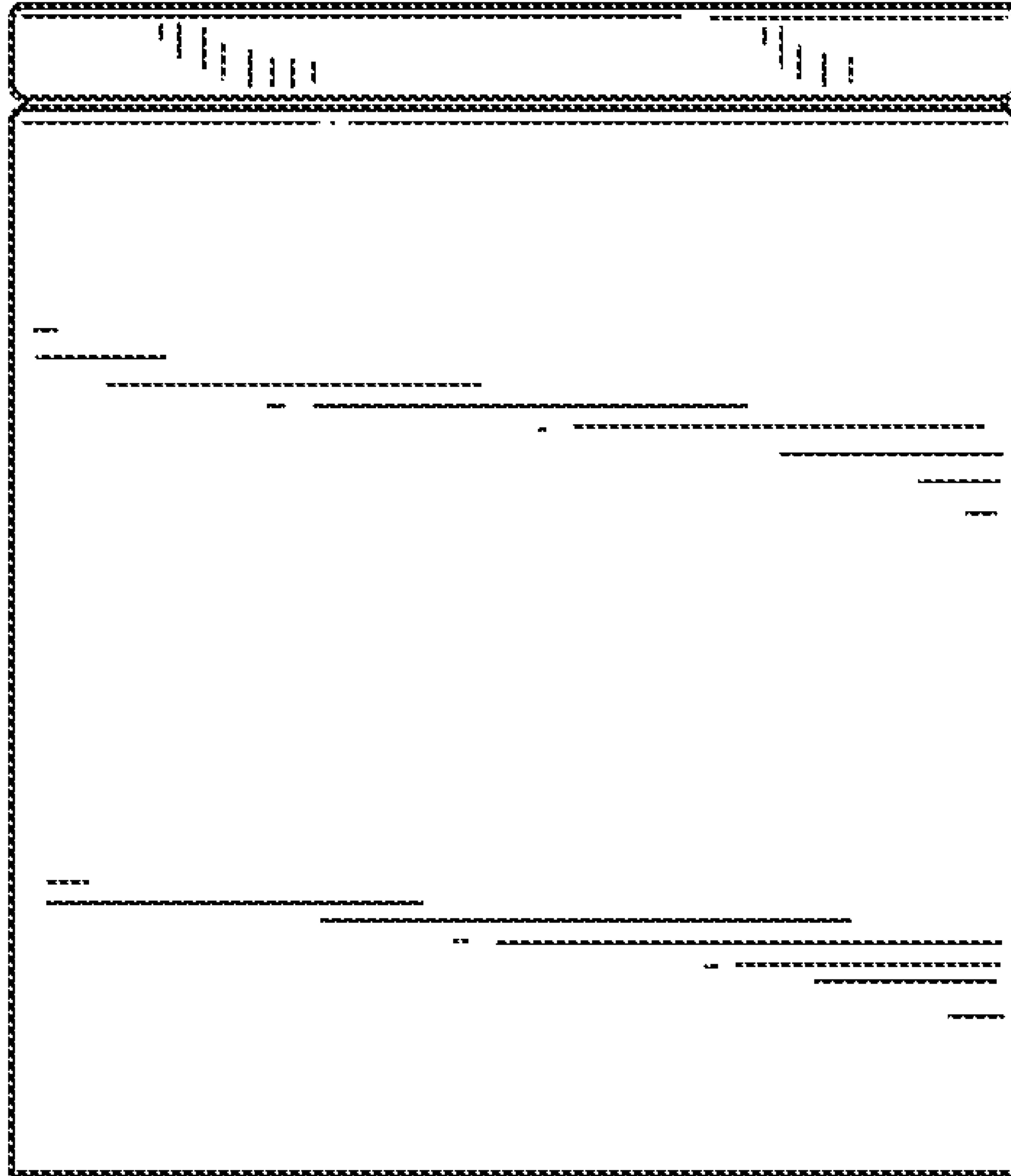


FIG. 3

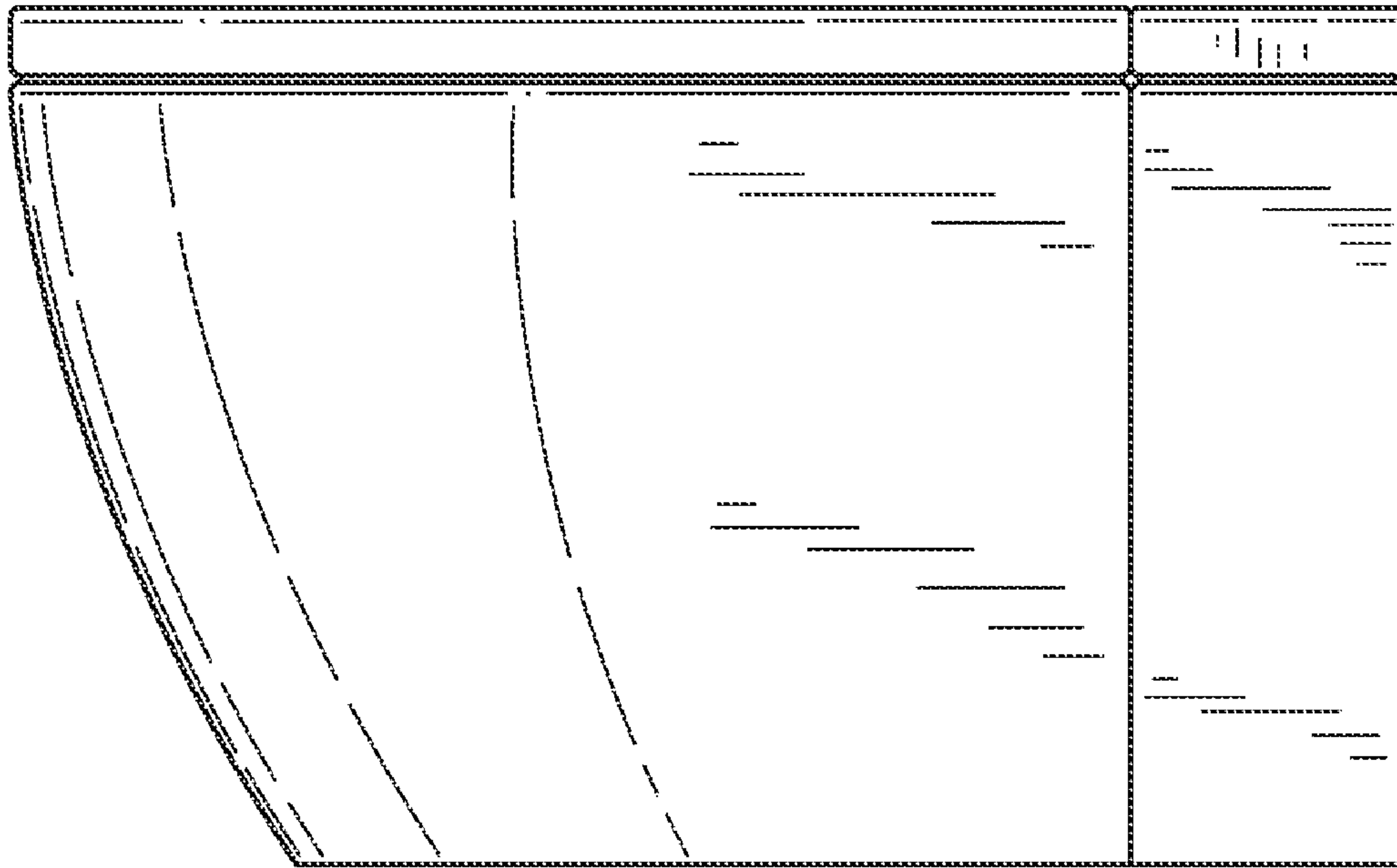


FIG.4

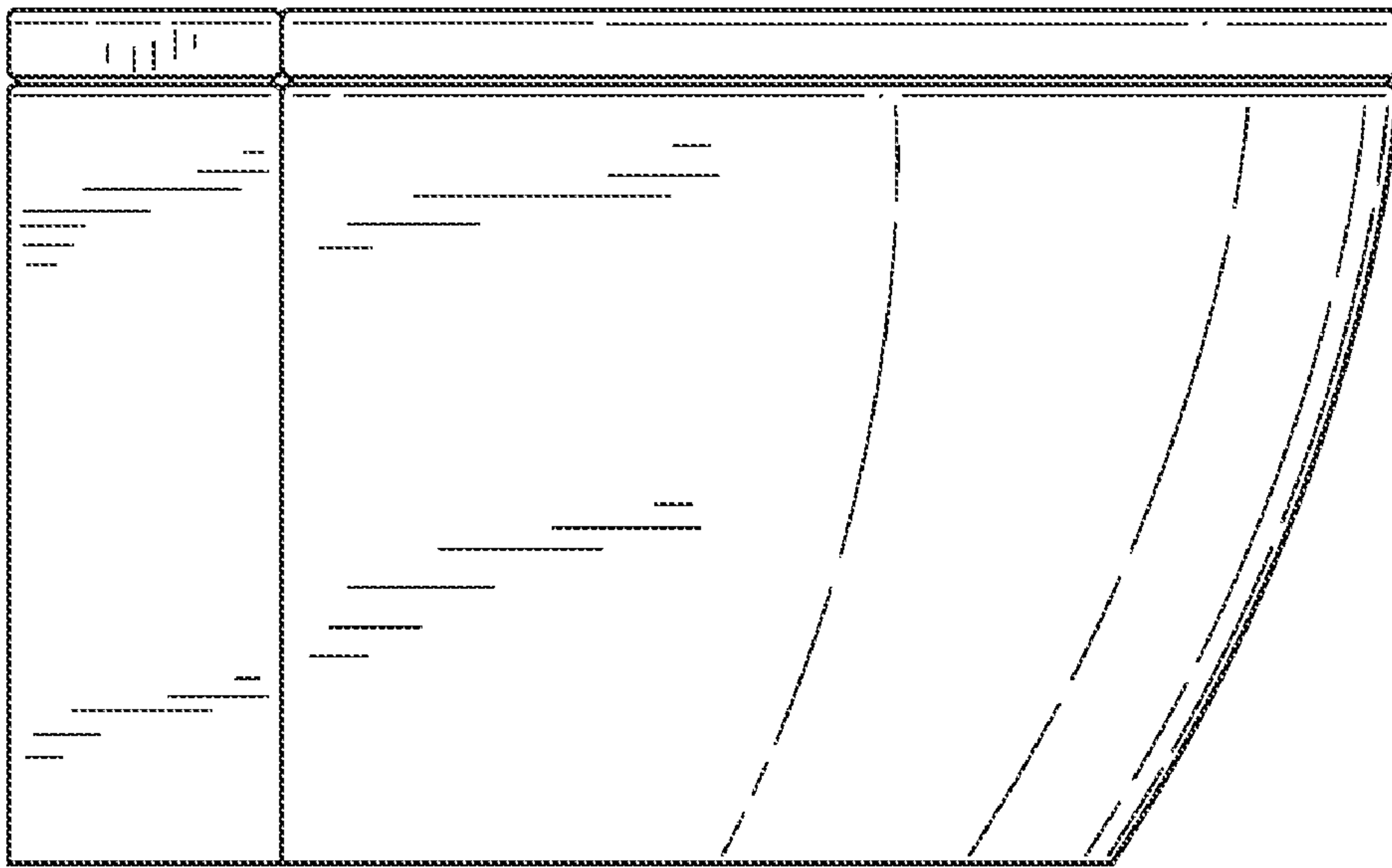


FIG.5

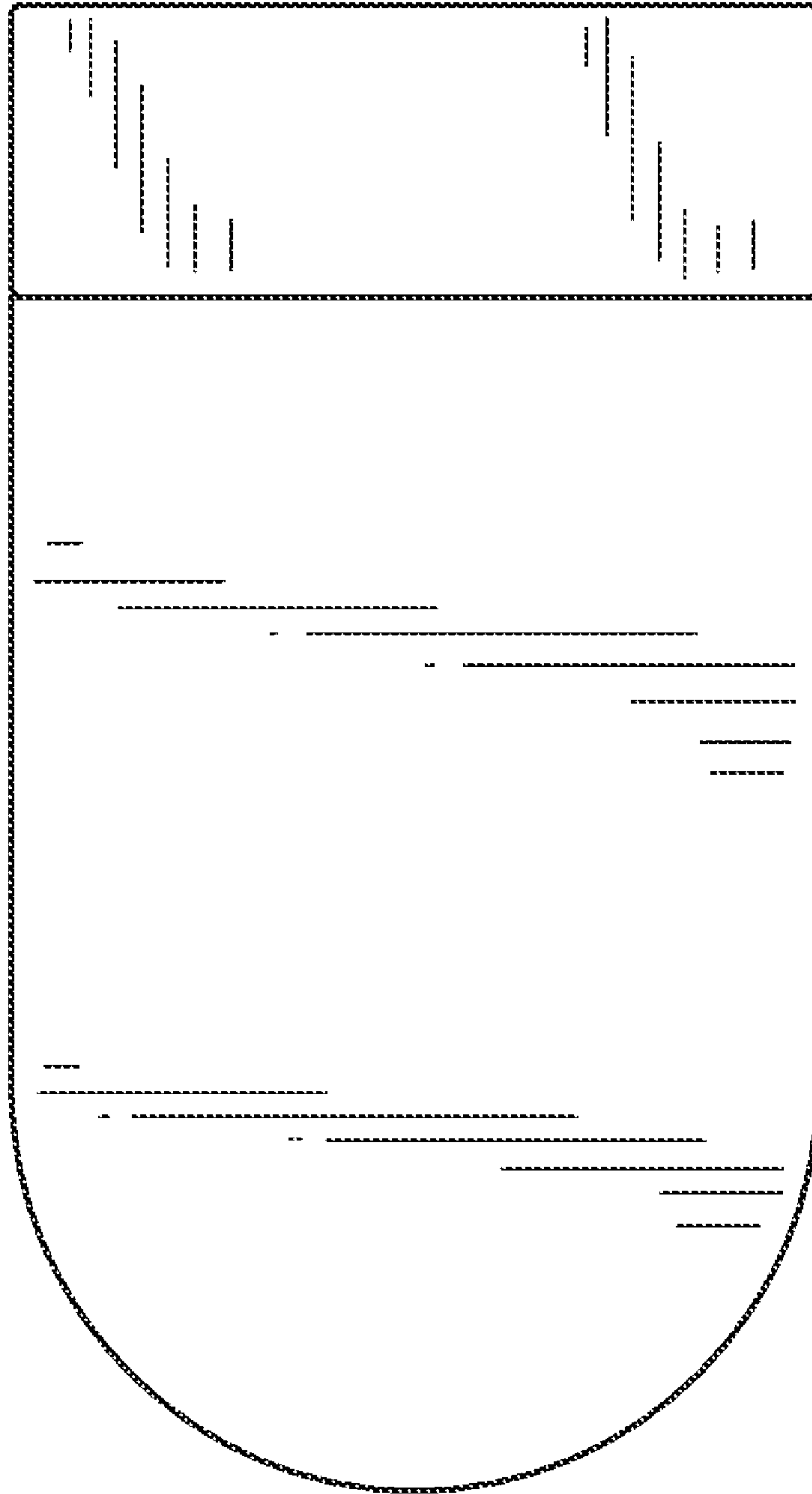


FIG. 6

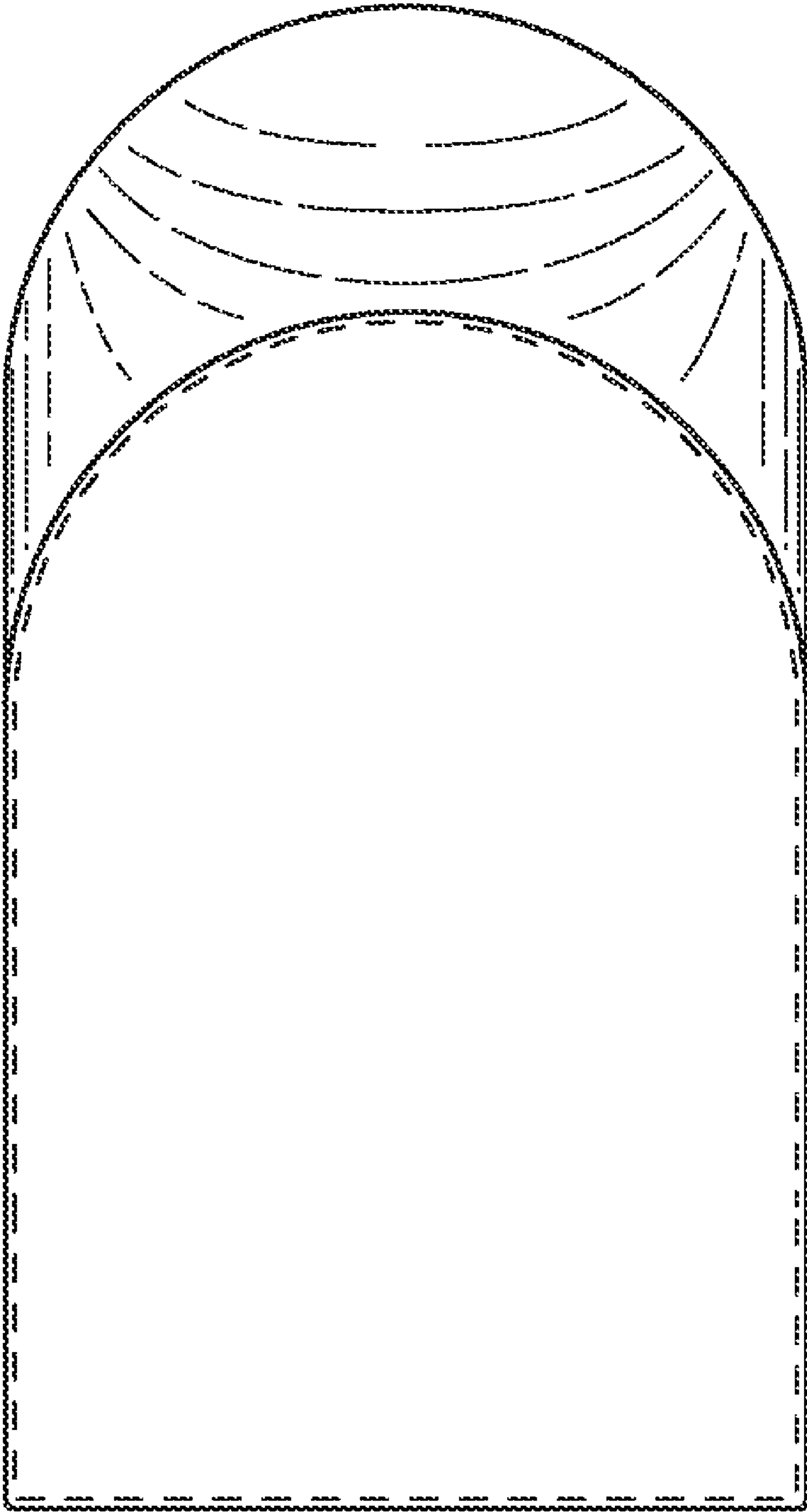


FIG. 7