



US00D639400S

(12) **United States Design Patent**
Kang

(10) **Patent No.:** **US D639,400 S**
(45) **Date of Patent:** **** Jun. 7, 2011**

(54) **TOILET STOOL**

(75) Inventor: **Tae Sik Kang**, Seoul (KR)

(73) Assignee: **Daelim B&CO Co., Ltd.**, Changwon,
Kyungsangnam-do (KR)

(**) Term: **14 Years**

(21) Appl. No.: **29/360,583**

(22) Filed: **Apr. 28, 2010**

(30) **Foreign Application Priority Data**

Jan. 7, 2010 (KR) 30-2010-0000485

(51) **LOC (9) Cl.** **23-02**

(52) **U.S. Cl.** **D23/295**

(58) **Field of Classification Search** D23/295,
D23/299, 303; 4/300, 329, 420, 443-444,
4/DIG. 15

See application file for complete search history.

(56) **References Cited**

U.S. PATENT DOCUMENTS

D583,030 S * 12/2008 Kobayashi et al. D23/295

D603,488 S * 11/2009 Maruhashi D23/295

* cited by examiner

Primary Examiner — Robert A Delehanty

(74) *Attorney, Agent, or Firm* — Drinker Biddle & Reath
LLP

(57) **CLAIM**

The ornamental design for a toilet stool, as shown.

DESCRIPTION

FIG. 1 is a perspective view of a first embodiment of a toilet stool.

FIG. 2 is a front view of the first embodiment of the toilet stool.

FIG. 3 is a rear view of the first embodiment of the toilet stool.

FIG. 4 is a left-side view of the first embodiment of the toilet stool.

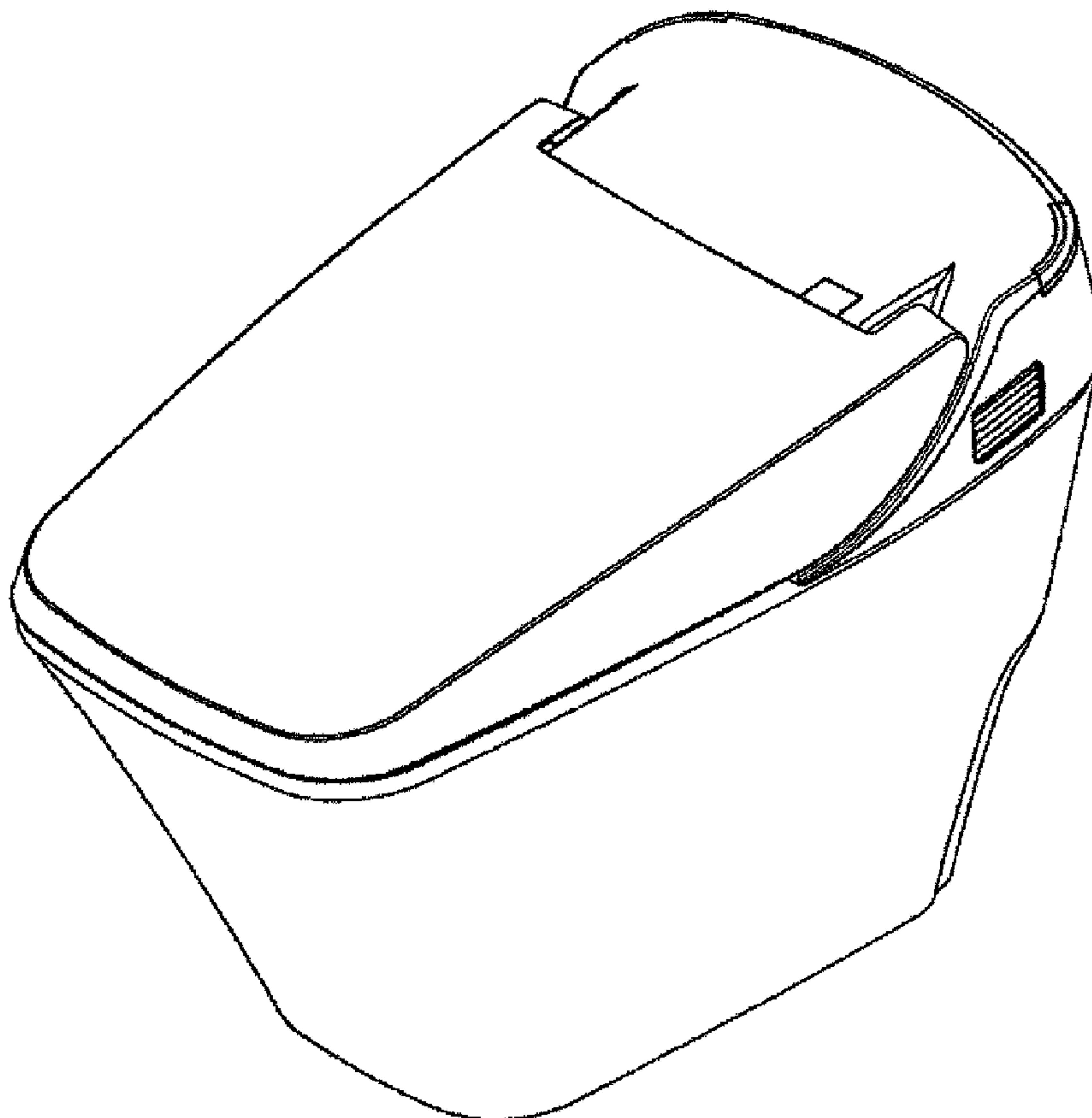
FIG. 5 is a right-side view of the first embodiment of the toilet stool.

FIG. 6 is a top view of the first embodiment of the toilet stool.

FIG. 7 is a bottom view of the first embodiment of the toilet stool; and,

FIG. 8 is a perspective view of the first embodiment of the toilet stool with a lid portion in an alternate position.

1 Claim, 8 Drawing Sheets



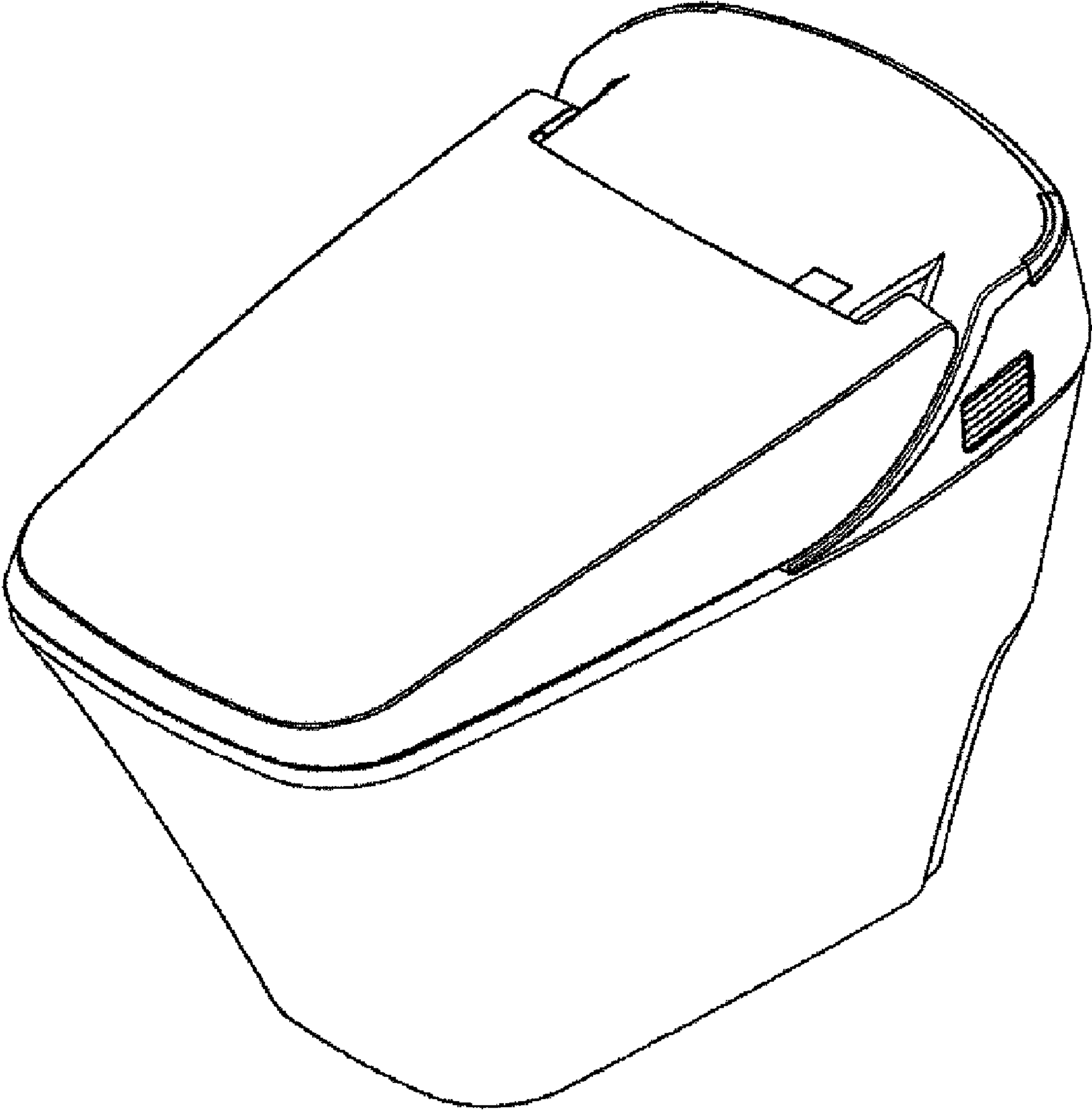


FIG. 1

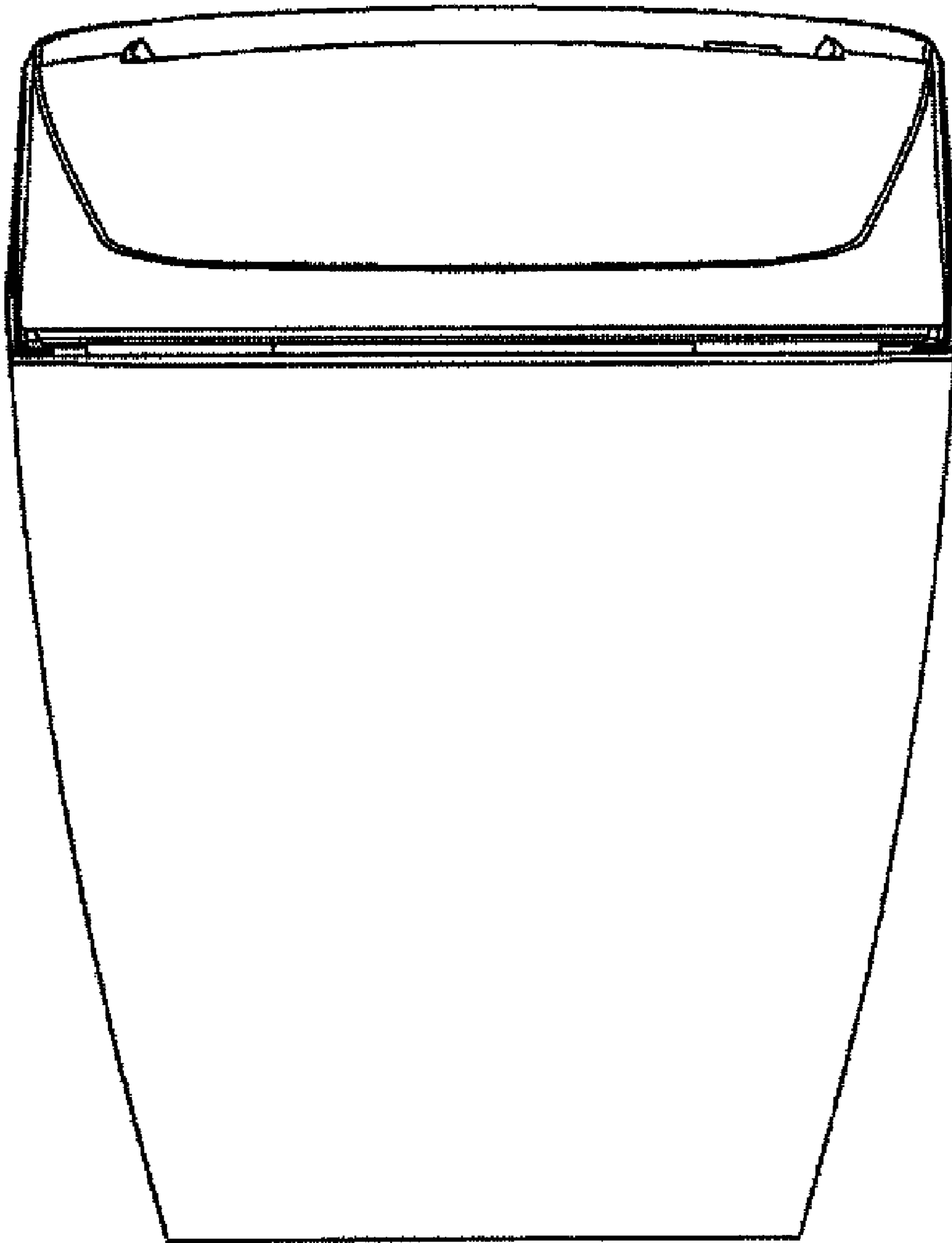


FIG. 2

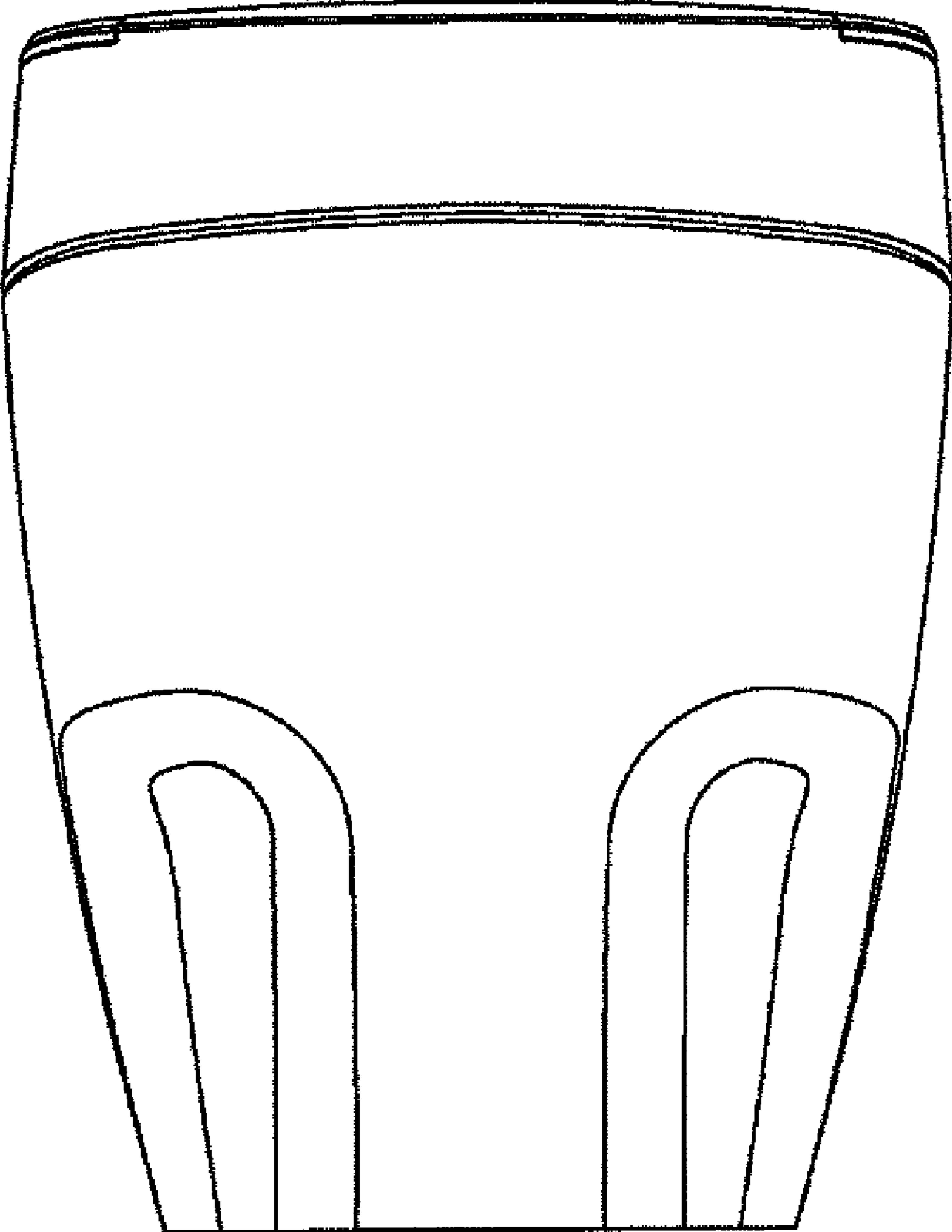


FIG. 3

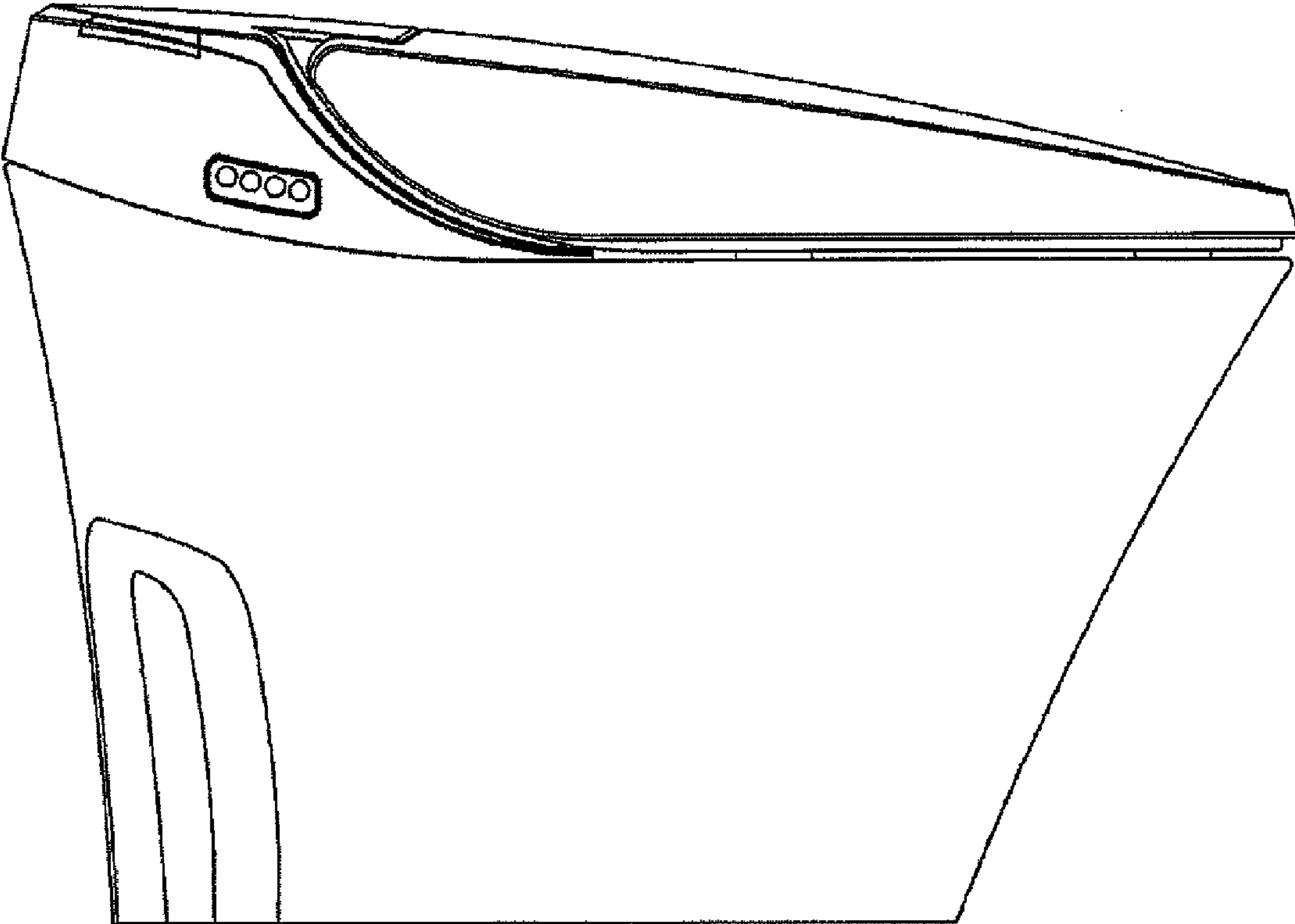


FIG. 4

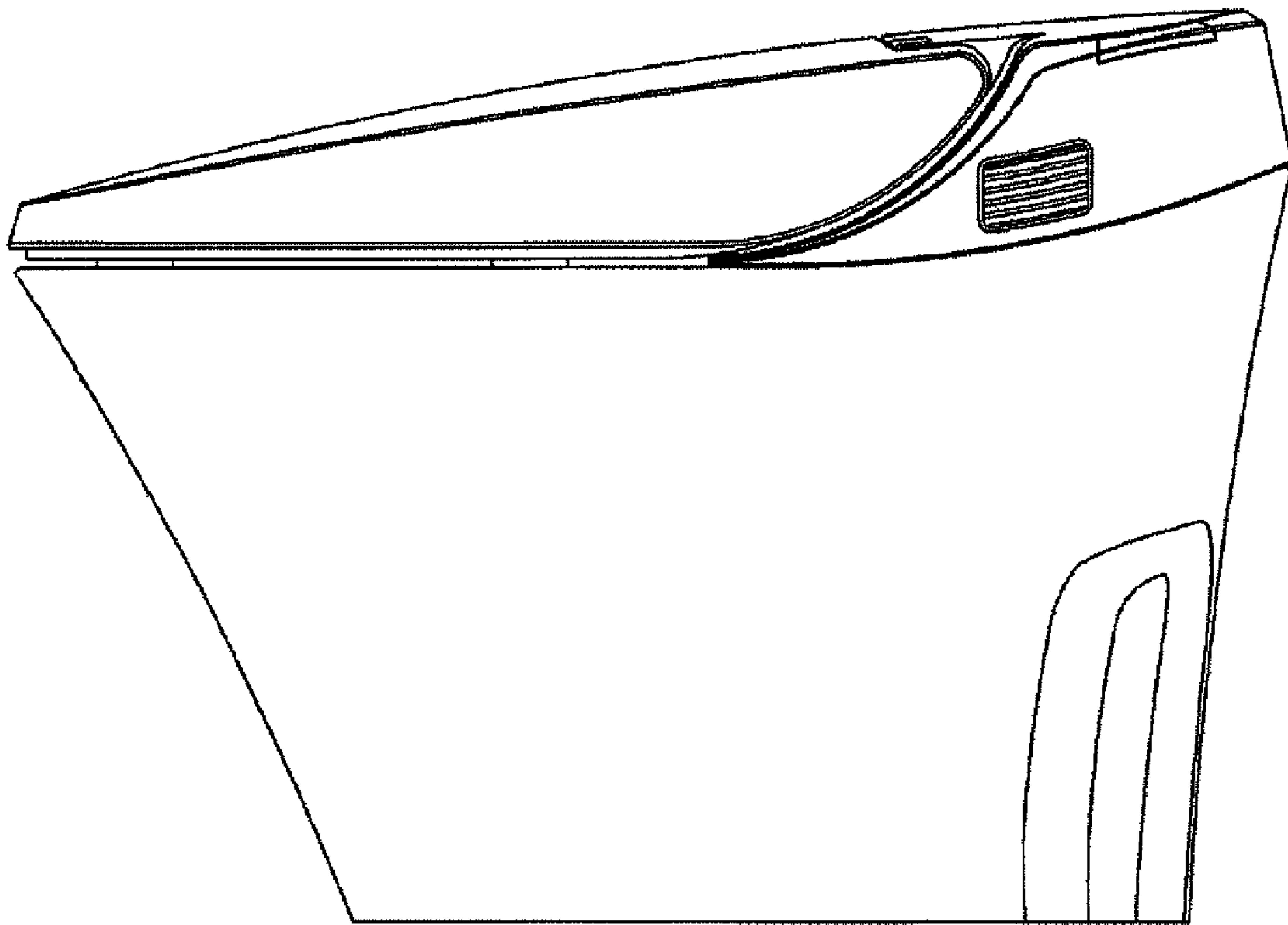


FIG. 5

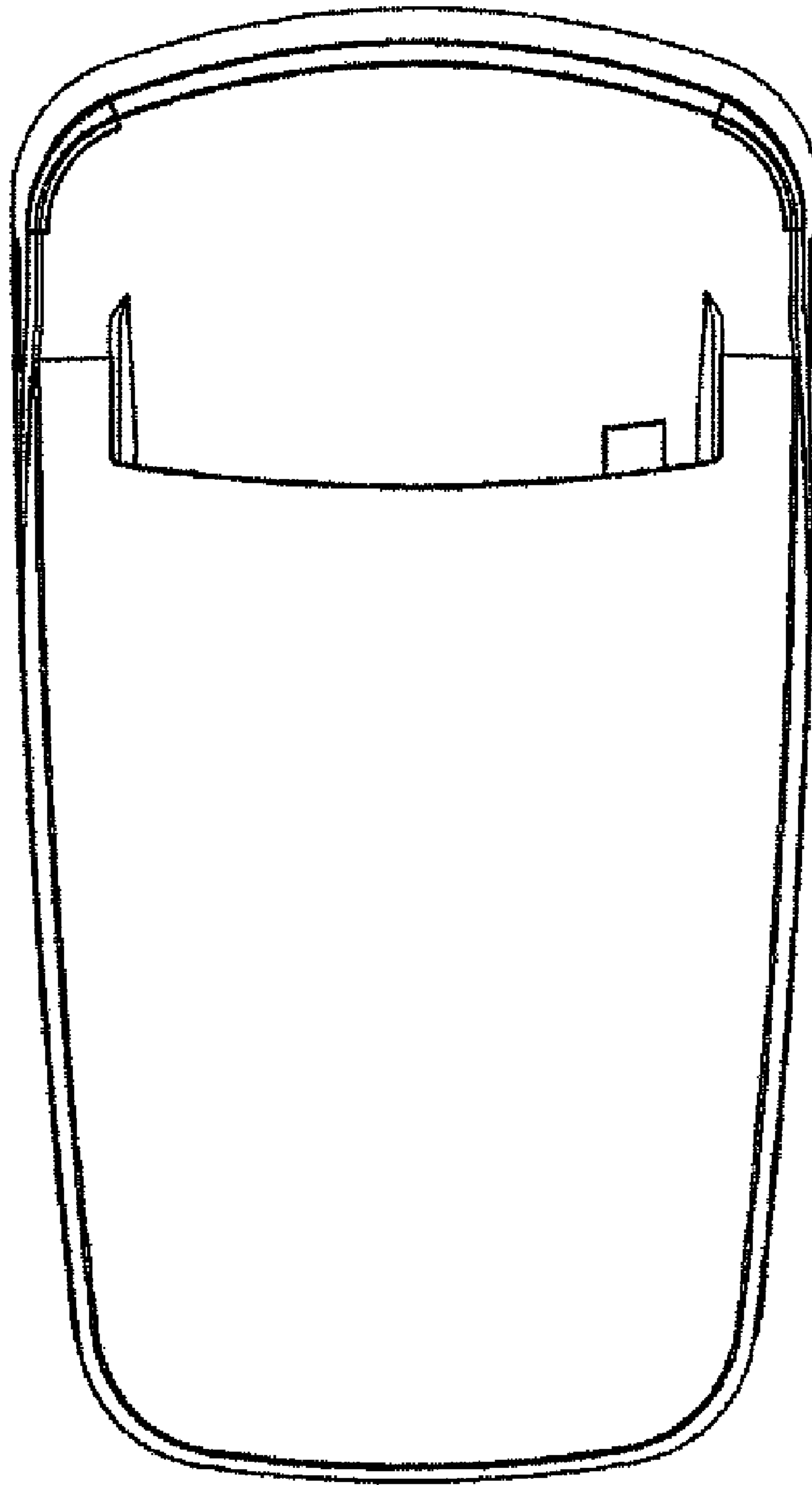


FIG. 6

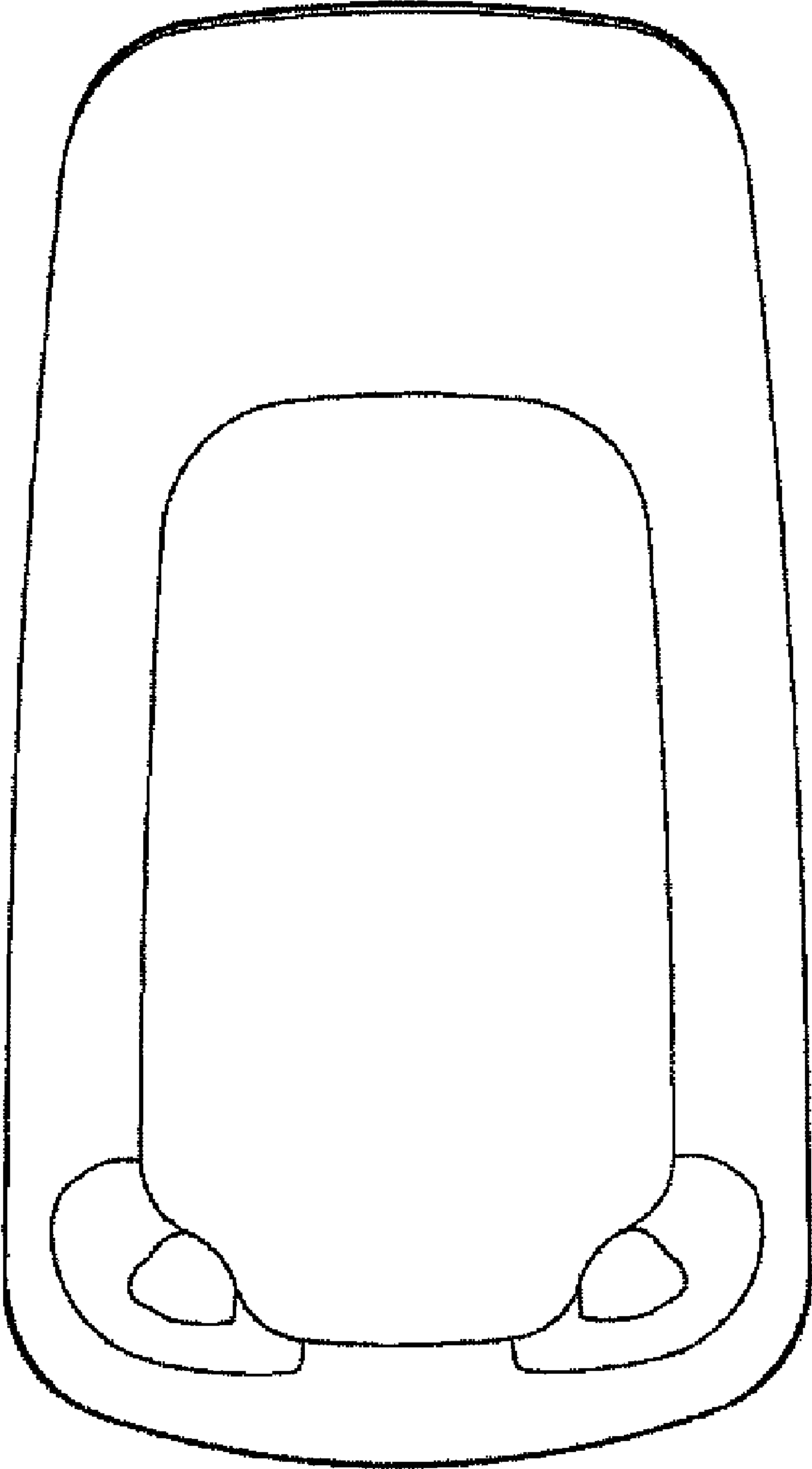


FIG. 7

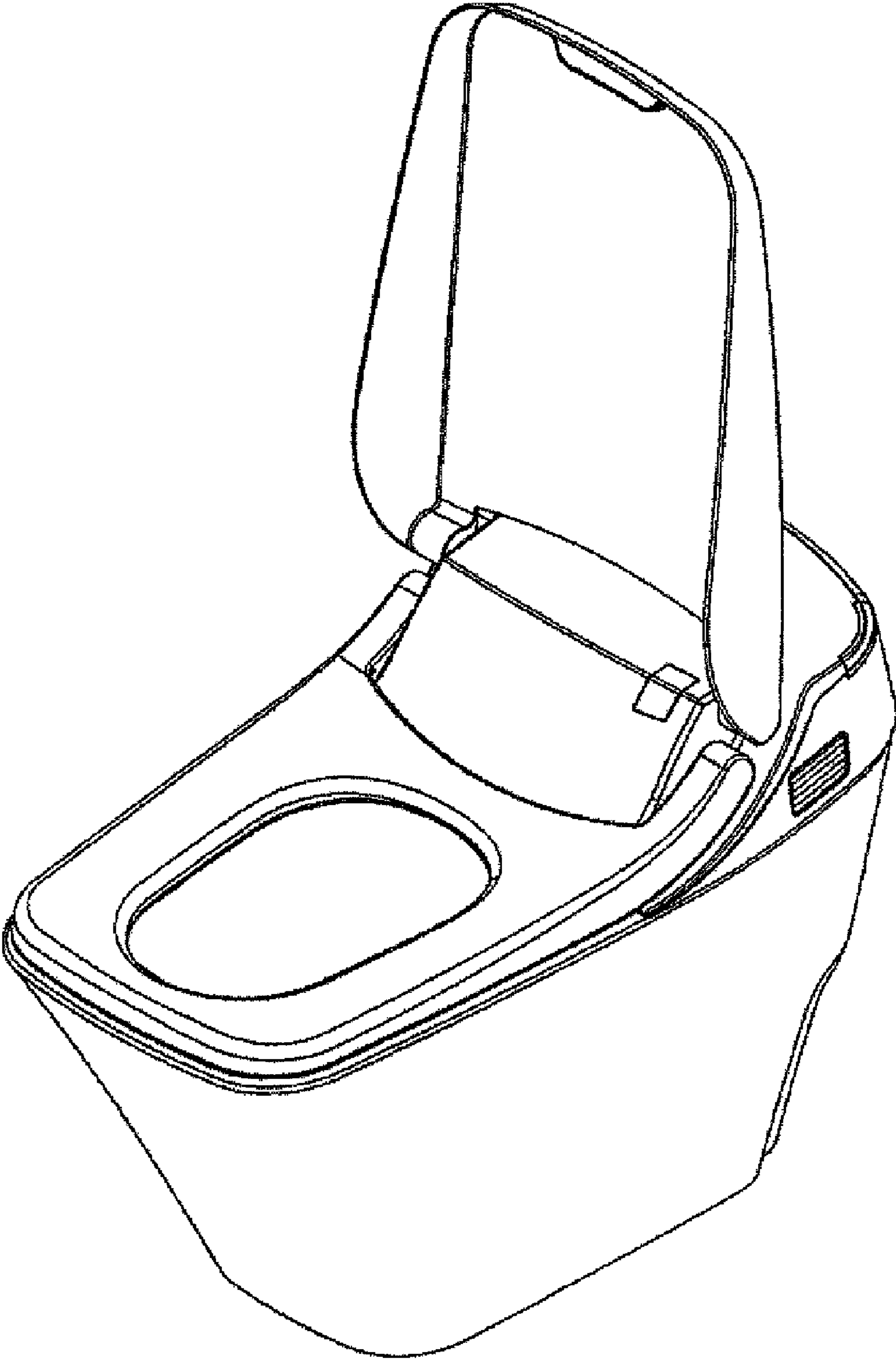


FIG. 8