



US00D639399S

(12) **United States Design Patent**
Takeuchi et al.

(10) **Patent No.:** **US D639,399 S**
(45) **Date of Patent:** **** Jun. 7, 2011**

(54) **WATER CLOSET**

(75) Inventors: **Hiroyuki Takeuchi**, Kitakyushu (JP);
Yasushi Takahashi, Kitakyushu (JP);
Masafumi Ishikawa, Kitakyushu (JP)

(73) Assignee: **Toto Ltd.**, Kitakyushu-Shi (JP)

(**) Term: **14 Years**

(21) Appl. No.: **29/354,803**

(22) Filed: **Jan. 28, 2010**

(30) **Foreign Application Priority Data**

Aug. 3, 2009 (JP) 2009-017716

(51) **LOC (9) Cl.** **23-02**

(52) **U.S. Cl.** **D23/295**

(58) **Field of Classification Search** D23/295,
D23/299, 303, 309; 4/300, 329, 420, 443-444,
4/DIG. 15

See application file for complete search history.

(56) **References Cited**

U.S. PATENT DOCUMENTS

D583,030 S * 12/2008 Kobayashi et al. D23/295
D608,426 S * 1/2010 Ando et al. D23/295

* cited by examiner

Primary Examiner — Robert A Delehanty

(74) *Attorney, Agent, or Firm* — Birch, Stewart, Kolasch & Birch, LLP

(57) **CLAIM**

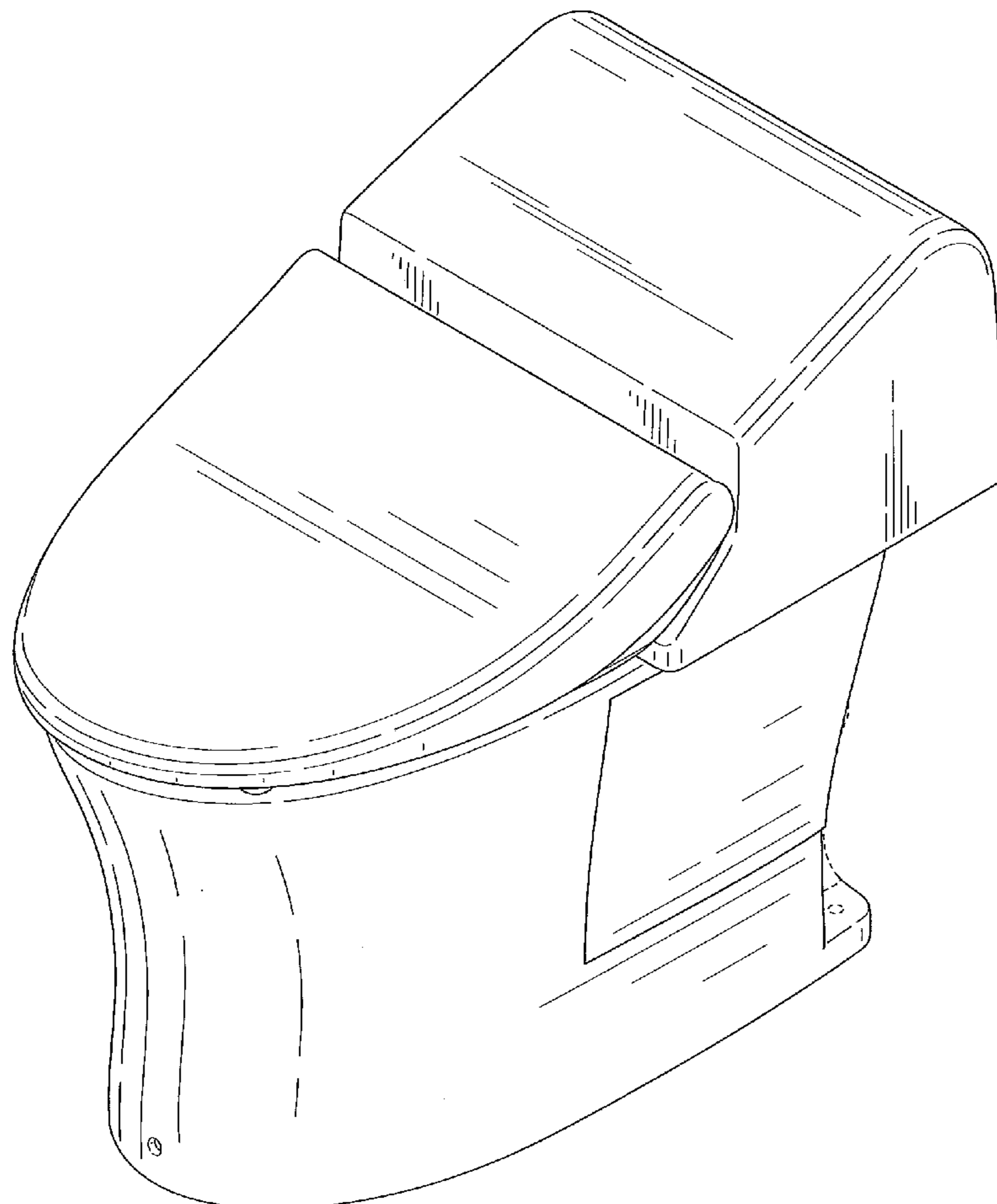
The ornamental design for a water closet, as shown and described.

DESCRIPTION

FIG. 1 is a perspective view of the top, front and right side of a water closet showing our new design;
FIG. 2 is a front view thereof;
FIG. 3 is a rear view thereof;
FIG. 4 is a left side view thereof;
FIG. 5 is a right side view thereof;
FIG. 6 is a top plan view thereof; and,
FIG. 7 is a bottom view thereof.

The portion of the article in broken lines are shown for illustrative purposes only and form no part of the claimed design.

1 Claim, 7 Drawing Sheets



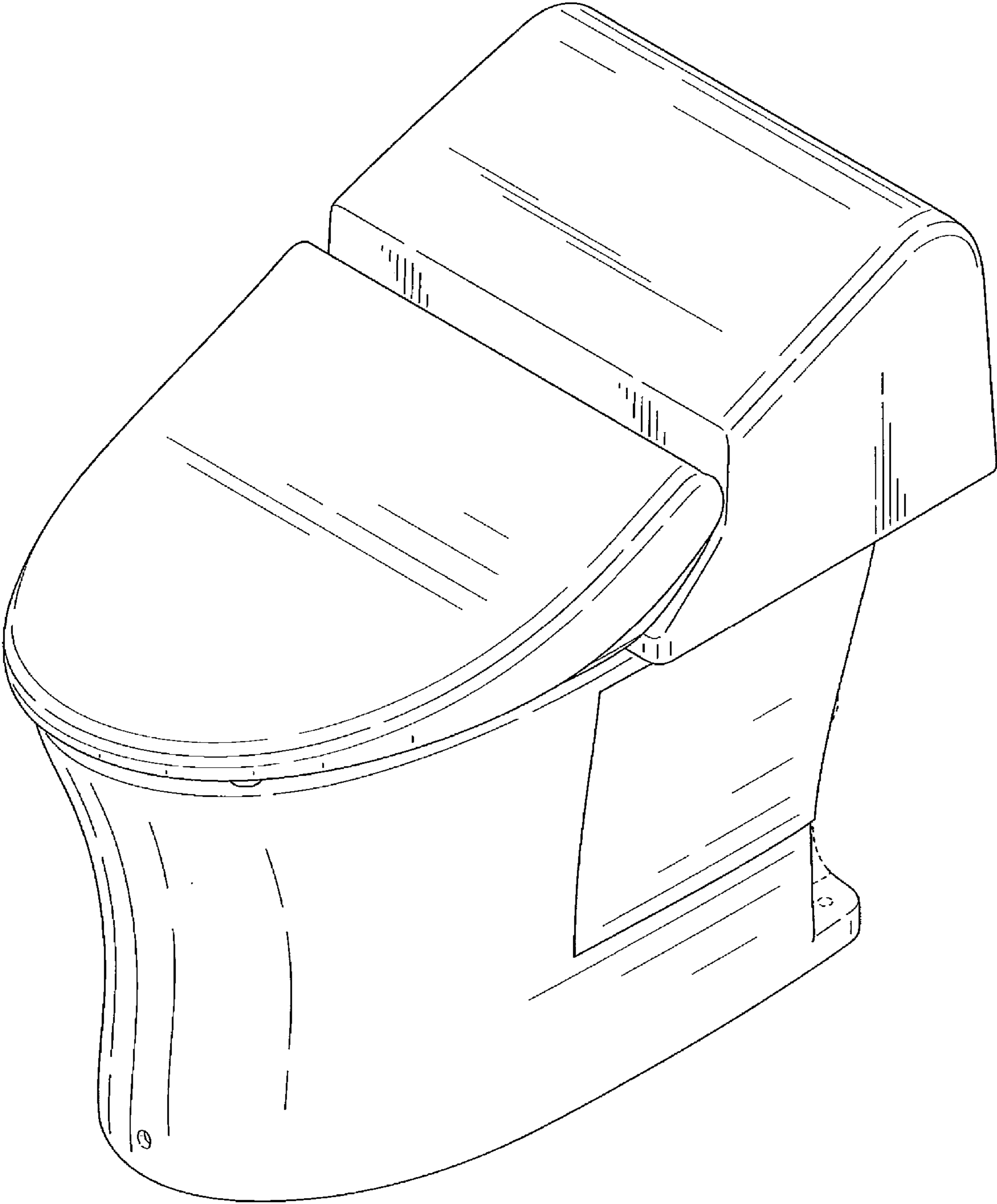


FIG. 1

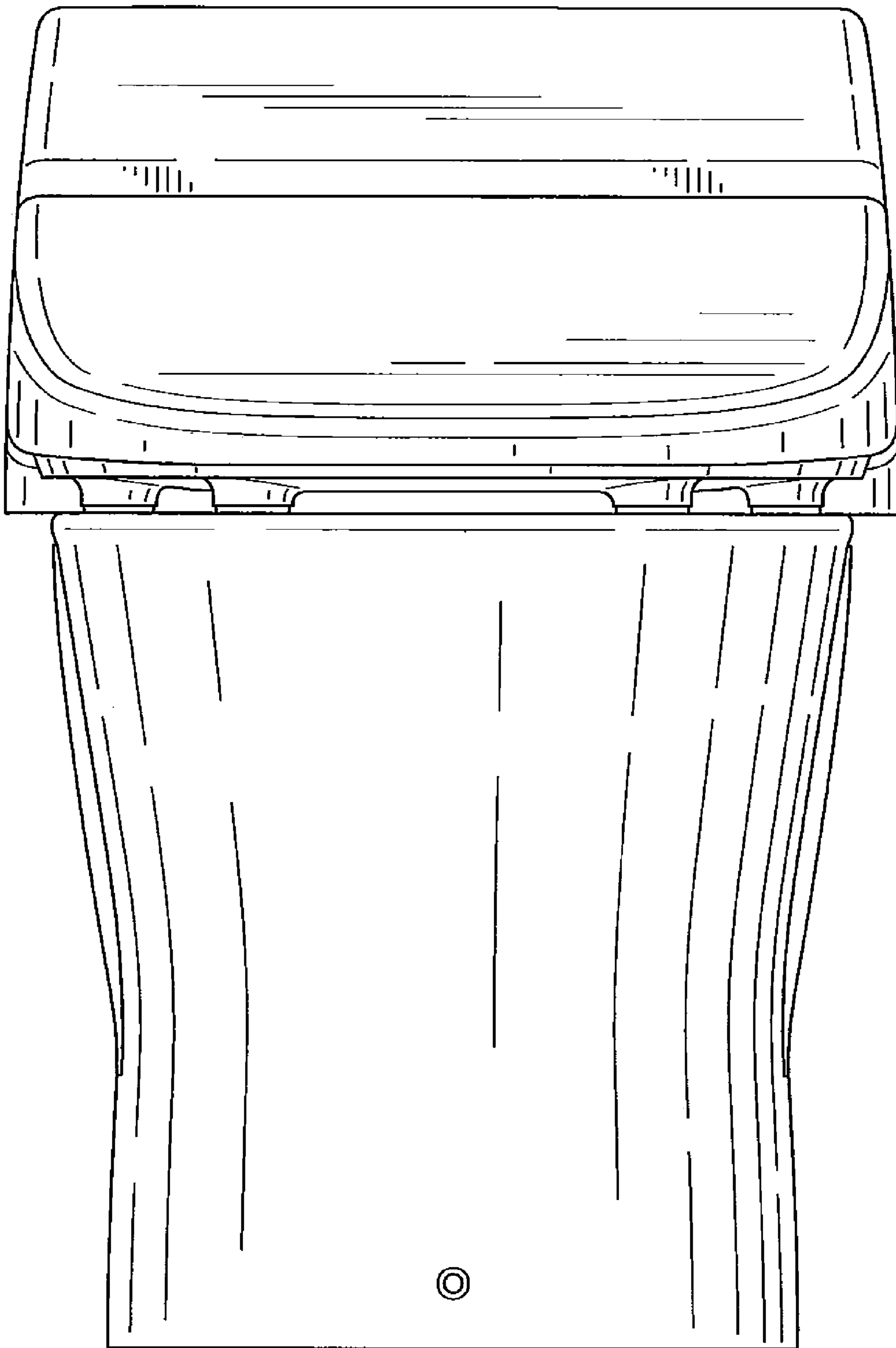


FIG. 2

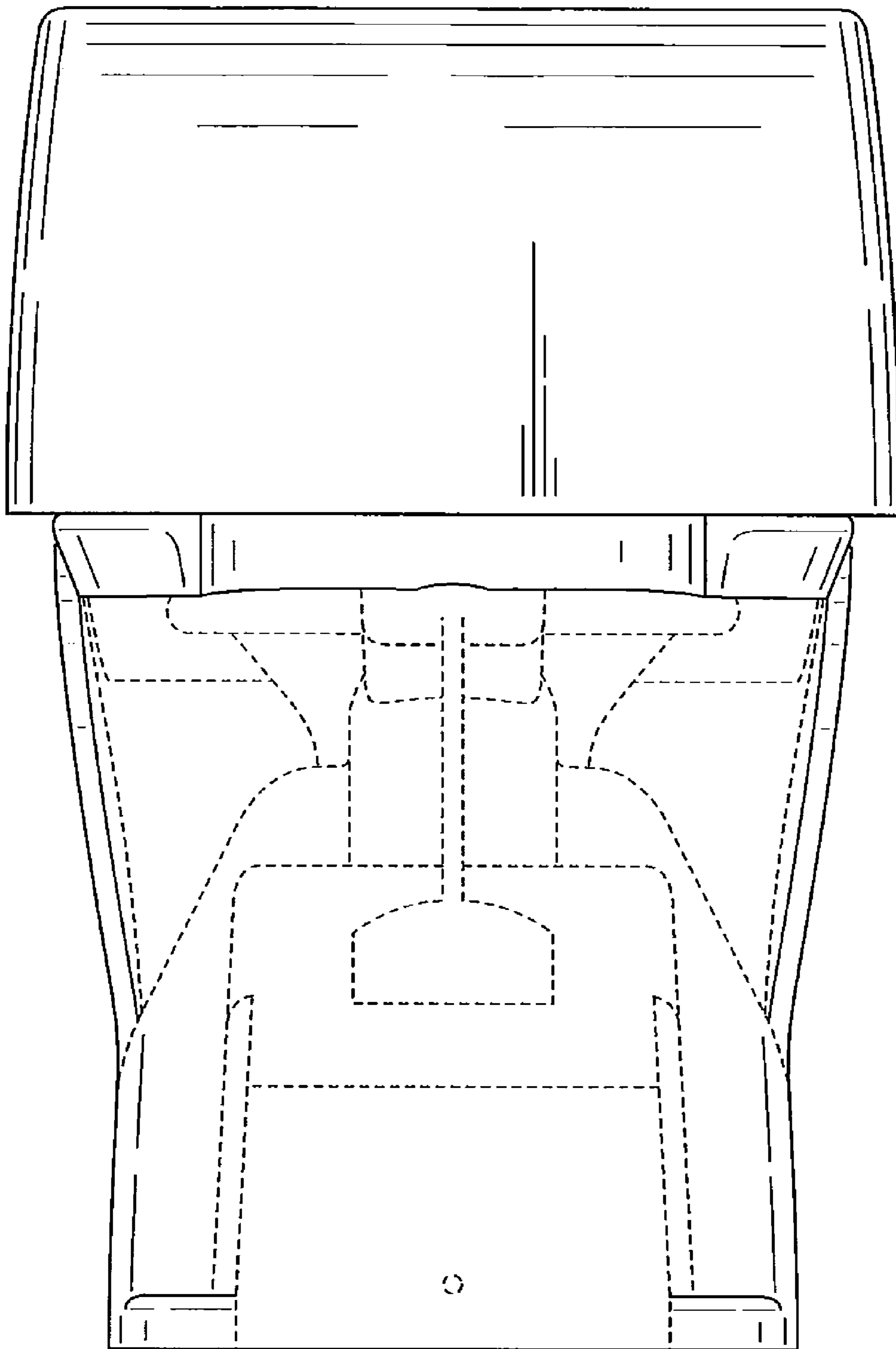


FIG. 3

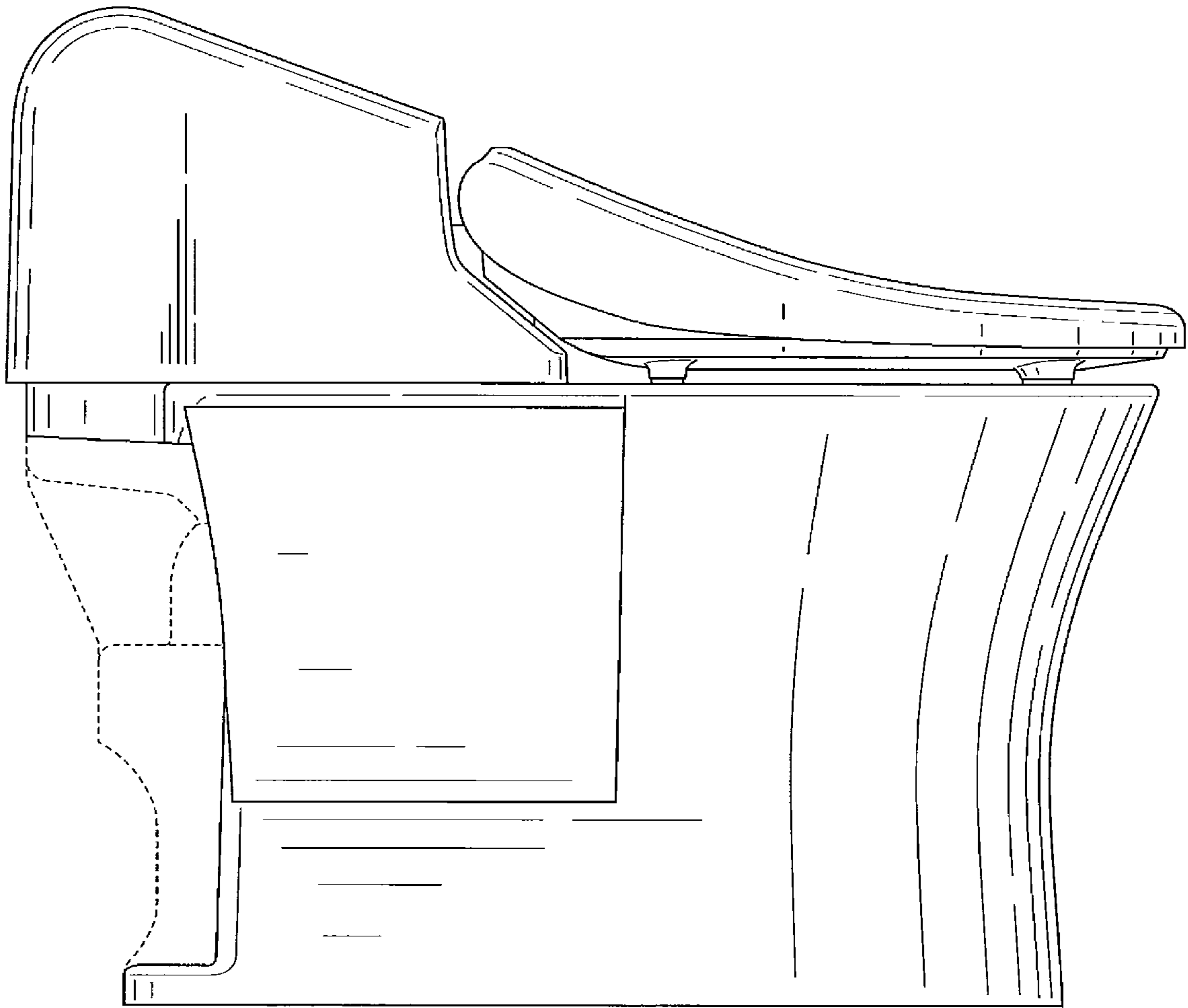


FIG. 4

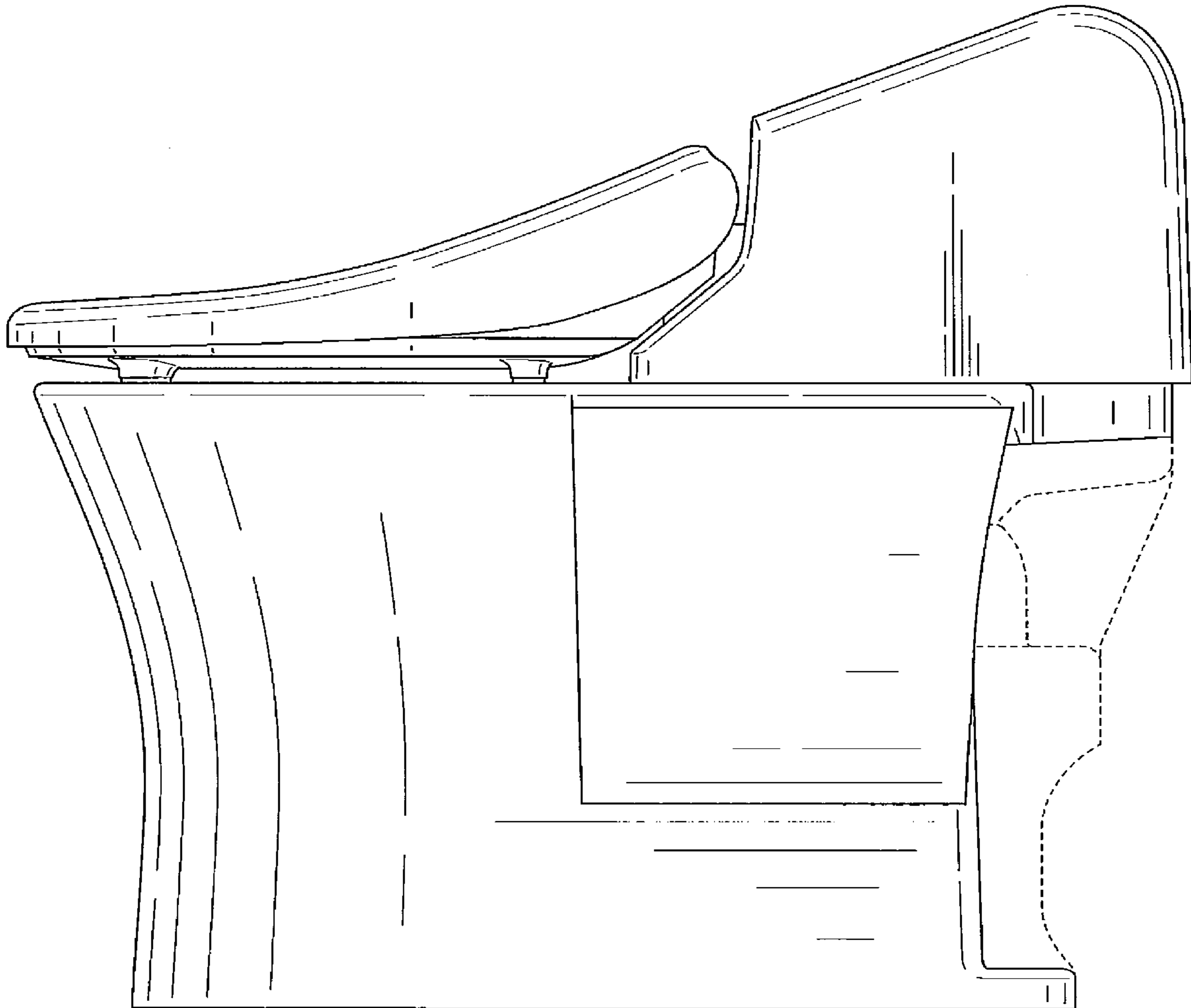


FIG. 5

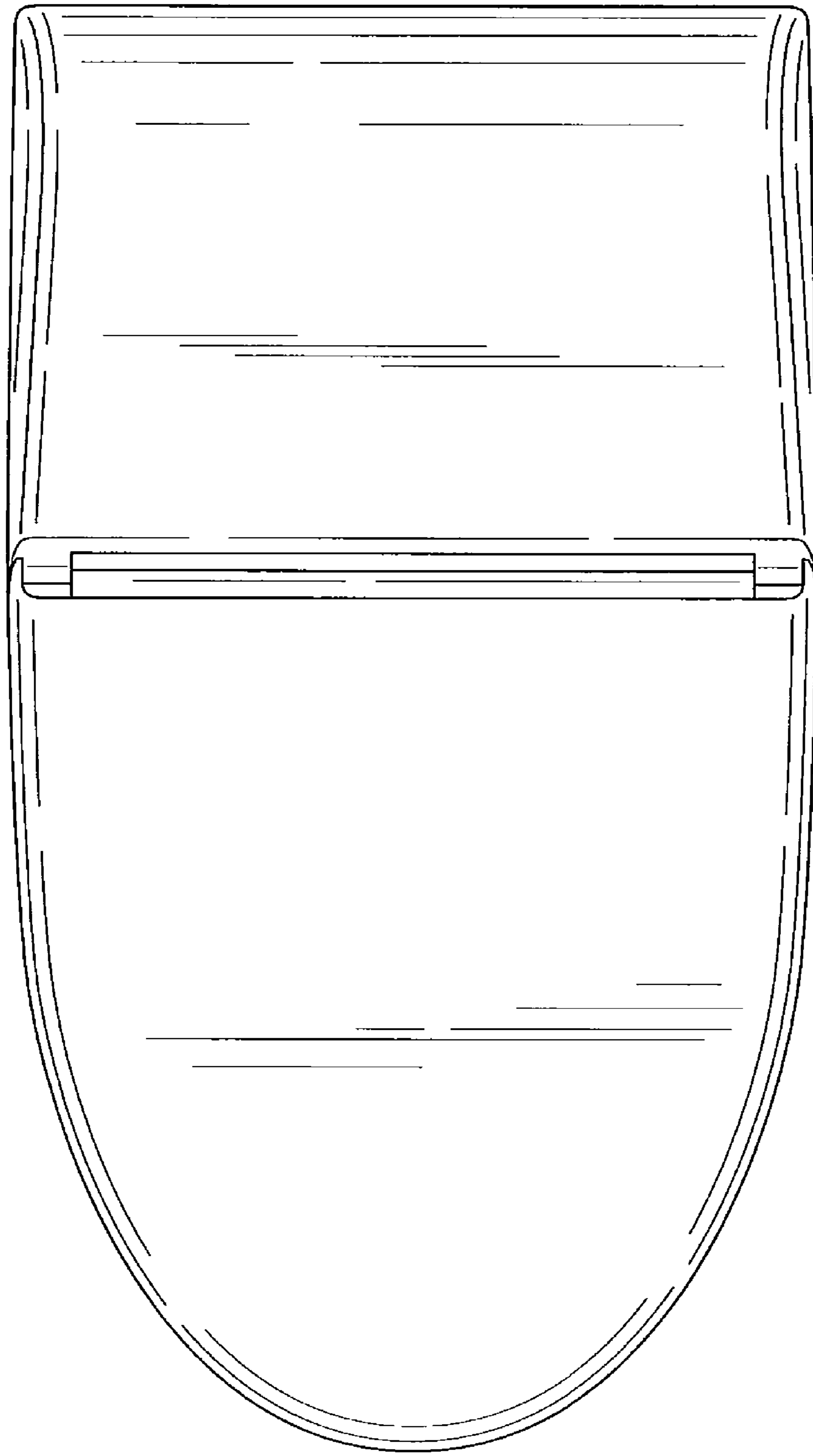


FIG. 6

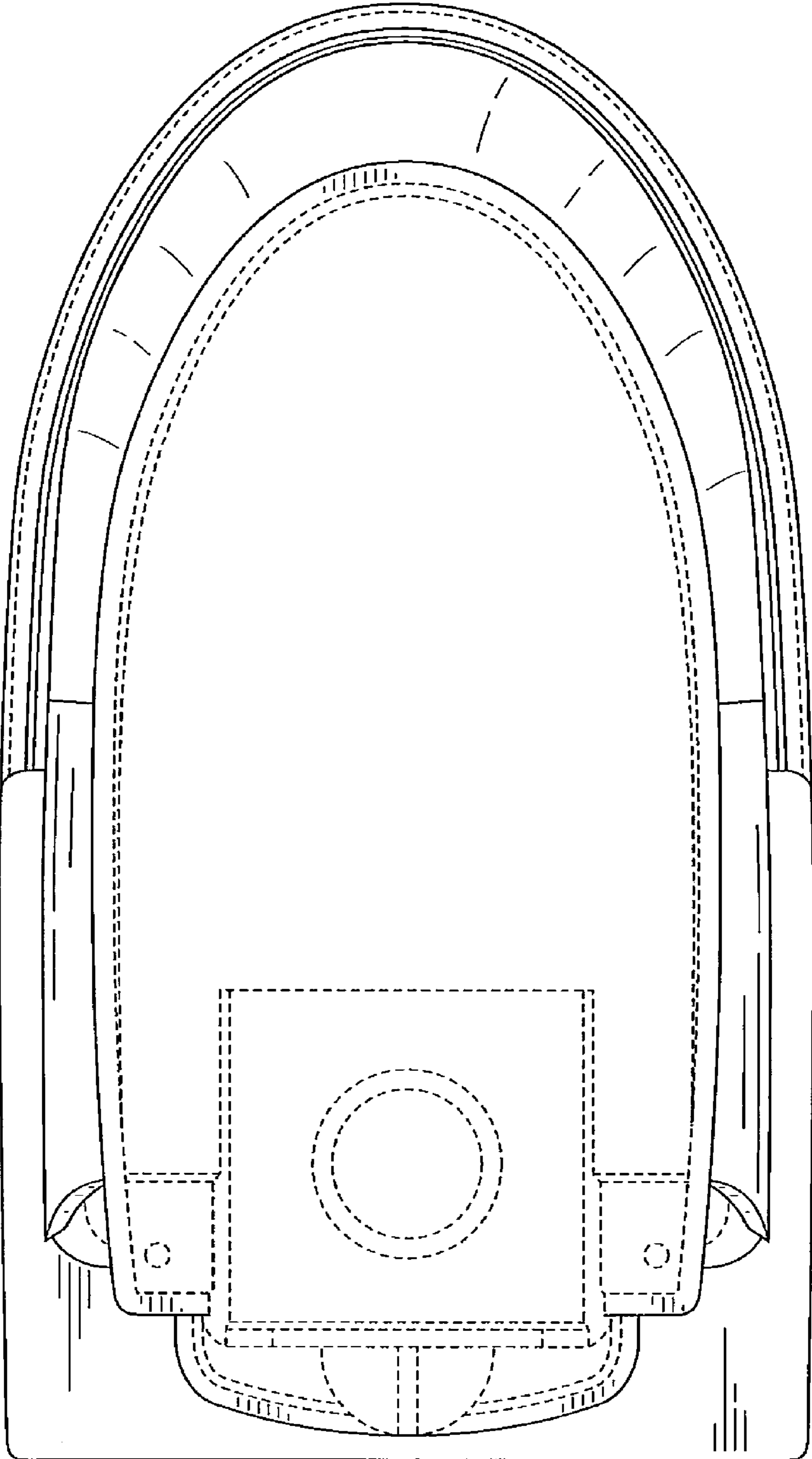


FIG. 7