



US00D639398S

(12) **United States Design Patent**
Wilhelm

(10) **Patent No.:** **US D639,398 S**
(45) **Date of Patent:** **** Jun. 7, 2011**

(54) **FLUID COUPLING**

(75) Inventor: **Grant Armin Wilhelm**, Plymouth, MN
(US)

(73) Assignee: **Colder Products Company**, St. Paul,
MN (US)

(**) Term: **14 Years**

(21) Appl. No.: **29/367,495**

(22) Filed: **Aug. 9, 2010**

4,137,930 A	2/1979	Scholle	
4,182,370 A	1/1980	Karcher	
4,275,907 A *	6/1981	Hunt	285/18
4,296,950 A	10/1981	Chamberlin	
4,418,716 A	12/1983	Starke	
4,447,040 A	5/1984	Magorien	
4,538,658 A	9/1985	Earley	
4,566,723 A	1/1986	Schulze	
4,613,112 A	9/1986	Philipot	
4,679,618 A	7/1987	Farkas	
4,863,201 A	9/1989	Carstens	
4,880,029 A	11/1989	Koller	
4,892,117 A	1/1990	Spalink	

(Continued)

Related U.S. Application Data

(63) Continuation of application No. 11/460,151, filed on
Jul. 26, 2006.

(51) **LOC (9) Cl.** **23-01**

(52) **U.S. Cl.** **D23/262**

(58) **Field of Classification Search** D23/259-265;
285/11-12, 7, 177, 394-395, 307, 358, 179-183,
285/423, 356, 303, 337, 1, 53, 404, 112,
285/367, 373, 915, 148.18, 148.23, 242,
285/251, 256, 331, 353, 921; 4/321, 323,
4/286-287, 295; 292/58-59; 222/552, 554,
222/546, 563

See application file for complete search history.

(56) **References Cited**

U.S. PATENT DOCUMENTS

433,750 A	8/1890	Shields	
2,503,349 A	4/1950	Mitchell	
3,097,865 A	7/1963	Zeeb	
3,415,299 A	12/1968	Hinman, Jr.	
3,450,424 A	6/1969	Calisher	
3,707,335 A	12/1972	Barnard	
3,799,584 A	3/1974	Slocum	
D235,342 S *	6/1975	Otto	D23/260
D235,343 S *	6/1975	Otto	D23/262
3,913,615 A	10/1975	Cooper	
3,994,317 A	11/1976	Miyazaki	

FOREIGN PATENT DOCUMENTS

DE 1 115 540 1/1957

(Continued)

OTHER PUBLICATIONS

International Search Report mailed Nov. 21, 2006.

(Continued)

Primary Examiner — T. Chase Nelson

Assistant Examiner — Eric L Goodman

(74) *Attorney, Agent, or Firm* — Merchant & Gould P.C.

(57) **CLAIM**

The ornamental design for the fluid coupling, as shown and described.

DESCRIPTION

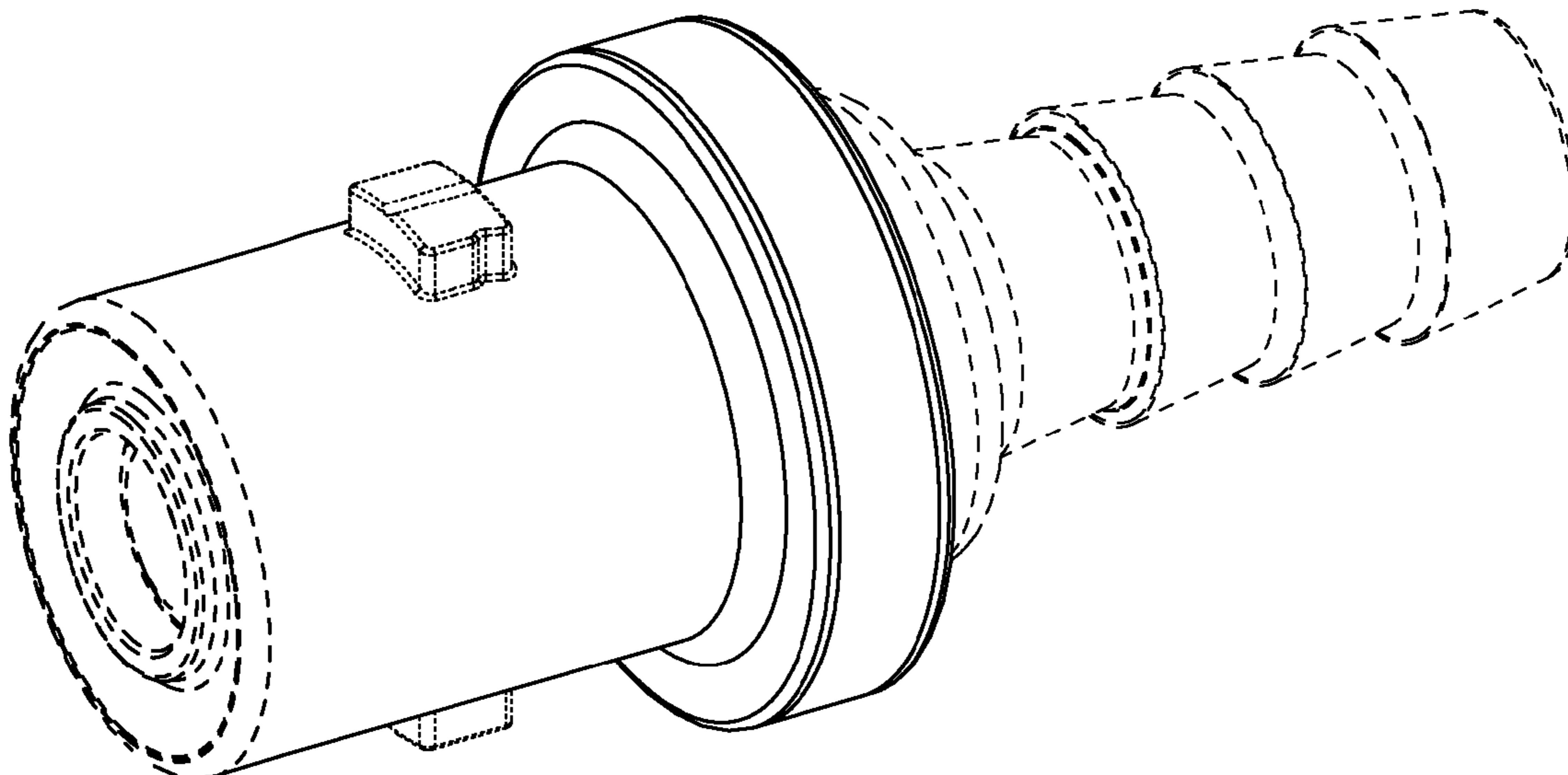
FIG. 1 is a top perspective view of the fluid coupling.

FIG. 2 is a side view thereof; and,

FIG. 3 is an end view thereof.

The broken lines showing aspects of the fluid coupling are for the purpose of illustrating environmental structure and form no part of the claimed design.

1 Claim, 2 Drawing Sheets



US D639,398 S

Page 2

U.S. PATENT DOCUMENTS

4,903,942	A	2/1990	Licciardello	
4,946,455	A	8/1990	Rosen	
4,957,314	A *	9/1990	Basile et al.	285/355
D313,067	S *	12/1990	Kotake et al.	D23/262
4,979,721	A	12/1990	Gilbert	
5,052,725	A	10/1991	Meyer	
5,072,756	A	12/1991	Carr	
5,090,747	A	2/1992	Kotake	
5,104,158	A	4/1992	Meyer	
5,127,678	A	7/1992	Henning	
5,158,327	A	10/1992	Rowe	
5,193,579	A	3/1993	Bauer	
5,215,122	A	6/1993	Rogers	
5,255,713	A	10/1993	Scholle	
5,271,429	A	12/1993	Bauer	
5,316,041	A	5/1994	Ramacier, Jr.	
5,381,836	A	1/1995	Braatz	
5,403,041	A	4/1995	Merkel	
5,406,980	A	4/1995	Allread	
5,451,031	A	9/1995	Purvis	
5,452,736	A	9/1995	Arosio	
5,462,313	A *	10/1995	Rea et al.	285/21.1
5,494,074	A	2/1996	Ramacier, Jr.	
D368,304	S *	3/1996	Morrison	D23/262
5,533,548	A	7/1996	Grant	
5,555,908	A	9/1996	Edwards	
5,582,201	A	12/1996	Lee	
5,604,681	A	2/1997	Koeninger	
5,636,877	A	6/1997	Purvis	
5,639,064	A	6/1997	deCler	
D387,146	S *	12/1997	Morrison	D23/262
5,709,243	A	1/1998	Wells	
5,733,145	A	3/1998	Wood	
5,845,943	A *	12/1998	Ramacier et al.	285/12
5,884,943	A	3/1999	Katzer	
5,911,403	A	6/1999	deCler	
5,917,148	A	6/1999	Woehl	
5,938,244	A	8/1999	Meyer	
5,975,489	A	11/1999	deCler	
5,980,175	A *	11/1999	Zimmerman	411/108
6,012,743	A	1/2000	Godeau	
6,019,348	A	2/2000	Powell	
6,024,124	A	2/2000	Braun	
6,050,295	A	4/2000	Meisinger	
6,554,320	B2 *	4/2003	Cresswell	285/39
6,649,829	B2	11/2003	Garber	

6,669,168	B2	12/2003	Scheffel	
6,692,038	B2 *	2/2004	Braun	285/319
6,978,800	B2	12/2005	deCler	
7,156,423	B2 *	1/2007	Marks	285/21.1
7,407,165	B1	8/2008	Chisnell	
D602,128	S *	10/2009	Williams et al.	D23/262
2002/0041094	A1	4/2002	Twyman	
2002/0139423	A1	10/2002	Roethel	
2002/0170731	A1	11/2002	Garber	
2003/0062498	A1	4/2003	deCler	
2004/0032124	A1 *	2/2004	Lefere et al.	285/242
2004/0251683	A1 *	12/2004	Fisher et al.	285/256
2005/0001425	A1	1/2005	deCler	
2005/0076669	A1	4/2005	Jenkins	
2005/0087981	A1 *	4/2005	Yamada et al.	285/81
2005/0134044	A1 *	6/2005	Svetlik	285/337
2005/0166884	A1	8/2005	Lee	
2006/0076419	A1	4/2006	Johnson	
2006/0138704	A1	6/2006	deCler	
2006/0196556	A1	9/2006	Johnson	
2008/0221469	A1 *	9/2008	Shevchuk	600/532
2009/0067919	A1 *	3/2009	Swift et al.	403/321

FOREIGN PATENT DOCUMENTS

DE	1 298 378	6/1969
DE	198 09 989 A1	9/1999
DE	101 10 194 A1	3/2002
EP	0 950 503 B1	10/1999
EP	1 298 377 A2	4/2003
GB	756608	9/1956
GB	1 212 777	11/1970
GB	1 359 859	7/1974
GB	2 140 132 A	11/1984
WO	WO 96/21120	7/1996
WO	WO 00/01976	1/2000

OTHER PUBLICATIONS

Exhibit A GLS Corporation, Overmolding Guide, Rev. 082704; front cover, table of contents, pp. 1 through 31, back cover, © 2004.

Exhibit B IMM Magazine Article Archive, "Design and Material Advice from the Pros, Part 1: Overmolding ABCs," 4 pages, printed Aug. 3, 2005.

Exhibit C Plastics 101, "Two-Shot Molding of Thermoplastic Elastomers," 9 pages, May 1992.

* cited by examiner

FIG. 1

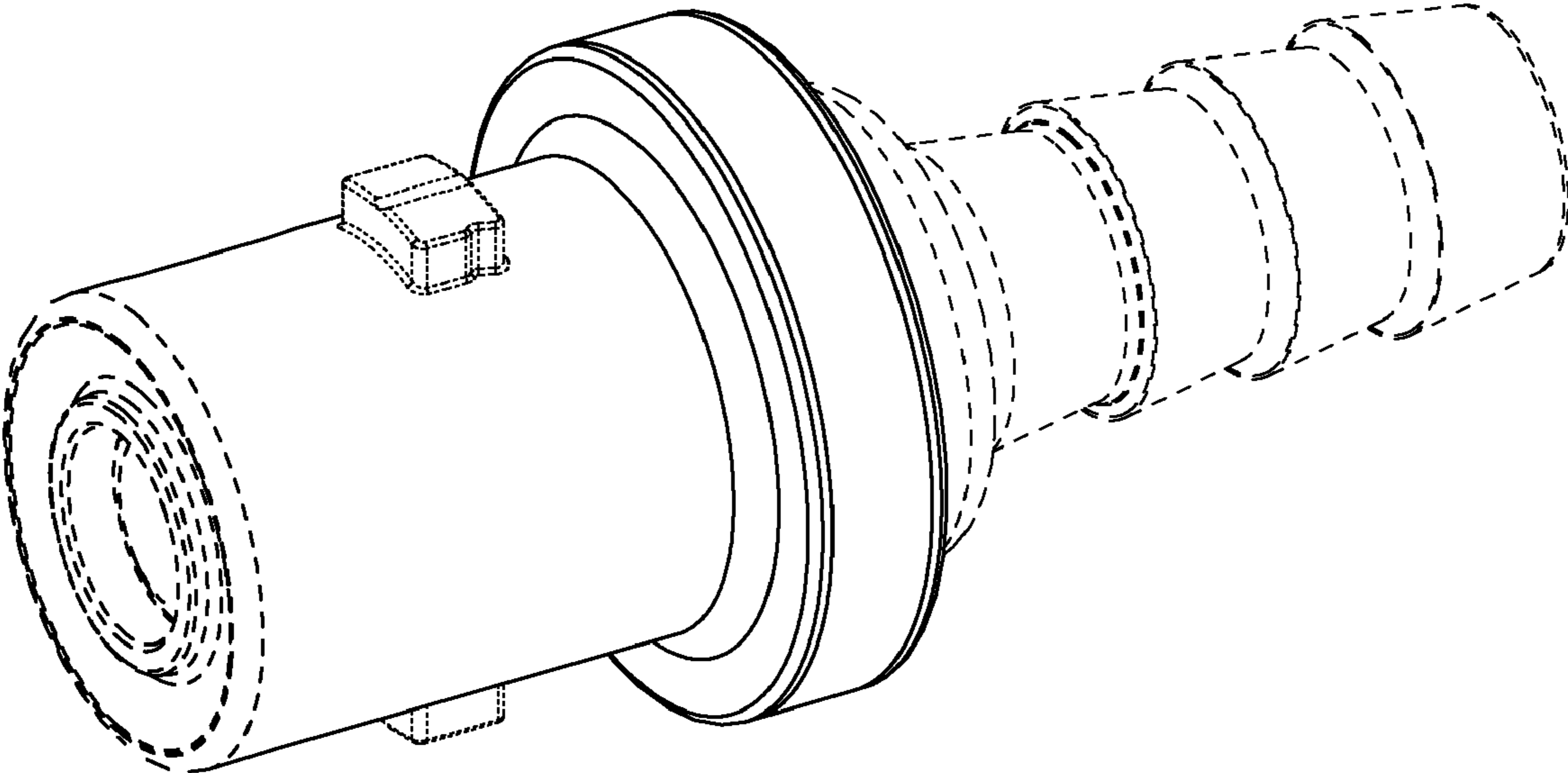


FIG. 2

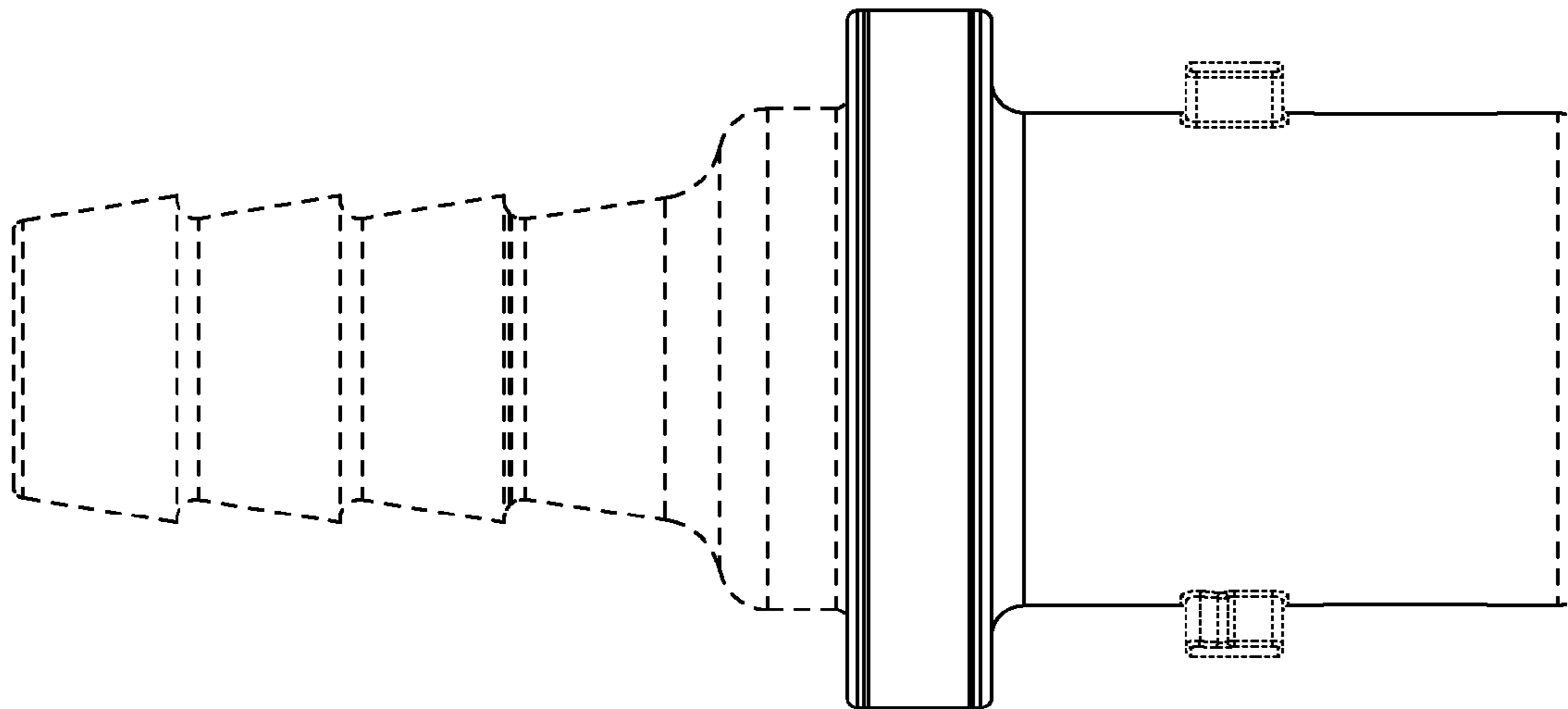


FIG.3

