



US00D639395S

(12) **United States Design Patent**
Grether

(10) **Patent No.:** **US D639,395 S**

(45) **Date of Patent:** **** Jun. 7, 2011**

(54) **FLOW REGULATOR**

(75) **Inventor:** **Hermann Grether**, Mullheim (DE)

(73) **Assignee:** **Neoperl GmbH**, Mullheim (DE)

(**) **Term:** **14 Years**

(21) **Appl. No.:** **29/380,534**

(22) **Filed:** **Dec. 7, 2010**

(30) **Foreign Application Priority Data**

Jun. 8, 2010 (EM) 1218788

(51) **LOC (9) Cl.** **23-01**

(52) **U.S. Cl.** **D23/249**

(58) **Field of Classification Search** D23/213,
D23/233-237, 244-249, 255, 257, 259, 260;
138/37, 40-42; 239/3, 428.5, 552, 553, 553.5;
261/DIG. 22

See application file for complete search history.

(56) **References Cited**

U.S. PATENT DOCUMENTS

D516,182 S 2/2006 Buttgen
D526,701 S * 8/2006 Grether D23/249
D536,417 S 2/2007 Buttgen

D537,916 S 3/2007 Buttgen
D577,416 S 9/2008 Buttgen
D609,783 S * 2/2010 Blum D23/249
D609,784 S * 2/2010 Grether D23/249
D614,735 S * 4/2010 Grether D23/249
D630,301 S * 1/2011 Stein D23/249

* cited by examiner

Primary Examiner — Cathron C. Brooks

Assistant Examiner — Maurice Stevens

(74) *Attorney, Agent, or Firm* — Volpe and Koenig, P.C.

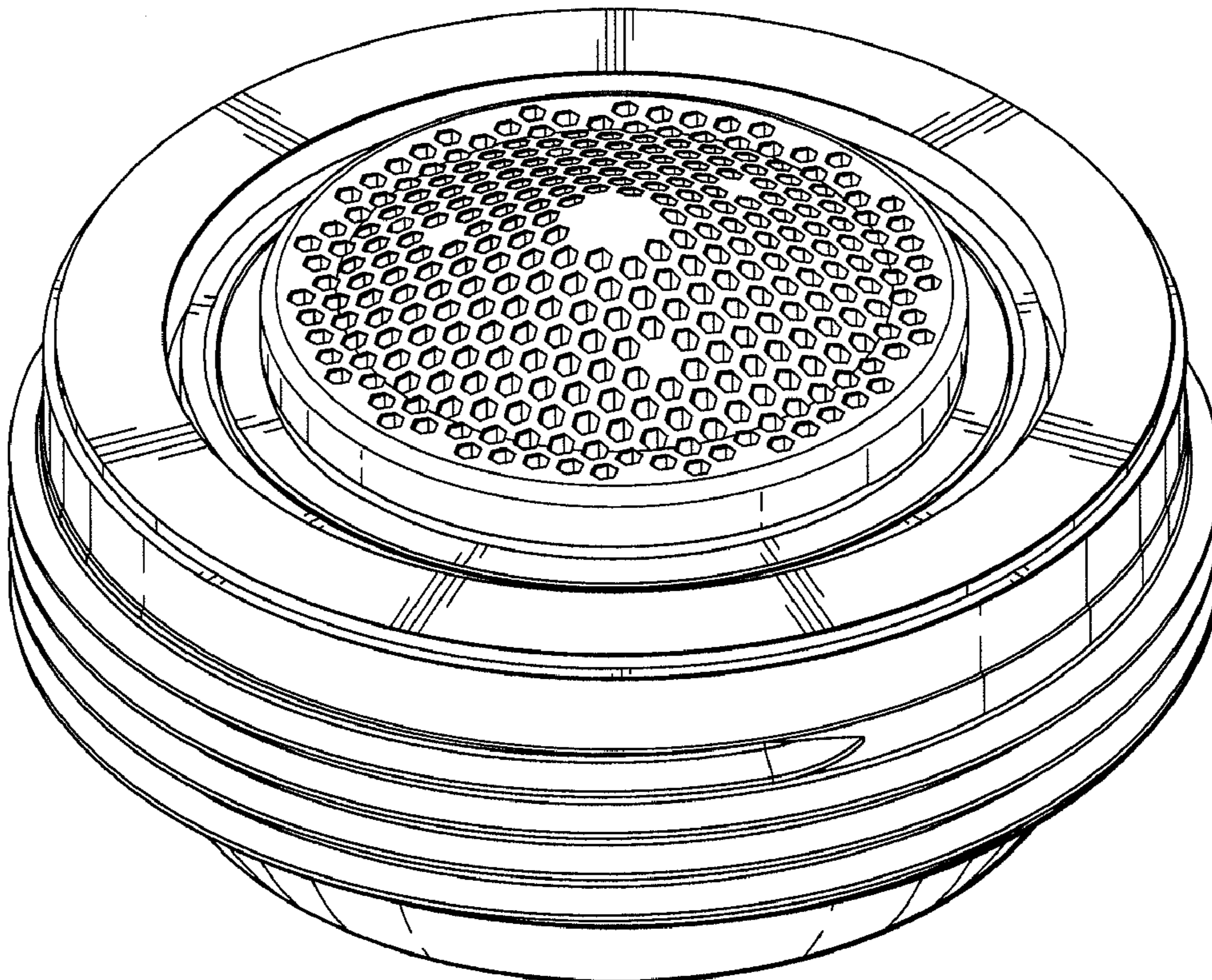
(57) **CLAIM**

The ornamental design for a flow regulator, as shown and described.

DESCRIPTION

FIG. 1 is a top plan view of a flow regulator in accordance with my design;
FIG. 2 is a top, front perspective view thereof;
FIG. 3 is a bottom plan view thereof;
FIG. 4 is a bottom, front perspective view thereof;
FIG. 5 is an elevational view thereof; and,
FIG. 6 is a bottom, front perspective view showing an alternate position of one component of the design.
The broken lines illustrated form no part of the claimed design.

1 Claim, 6 Drawing Sheets



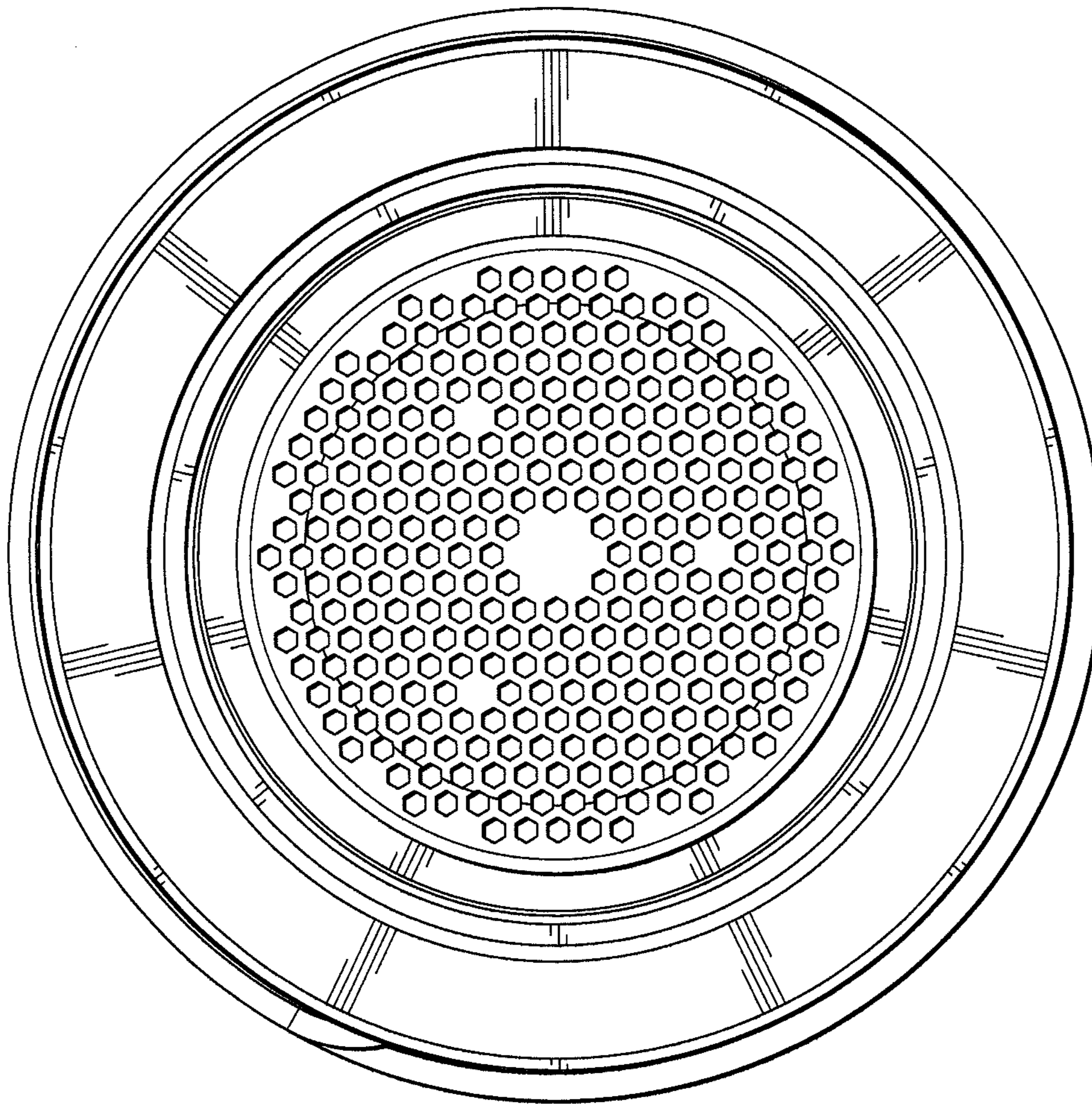


Fig. 1

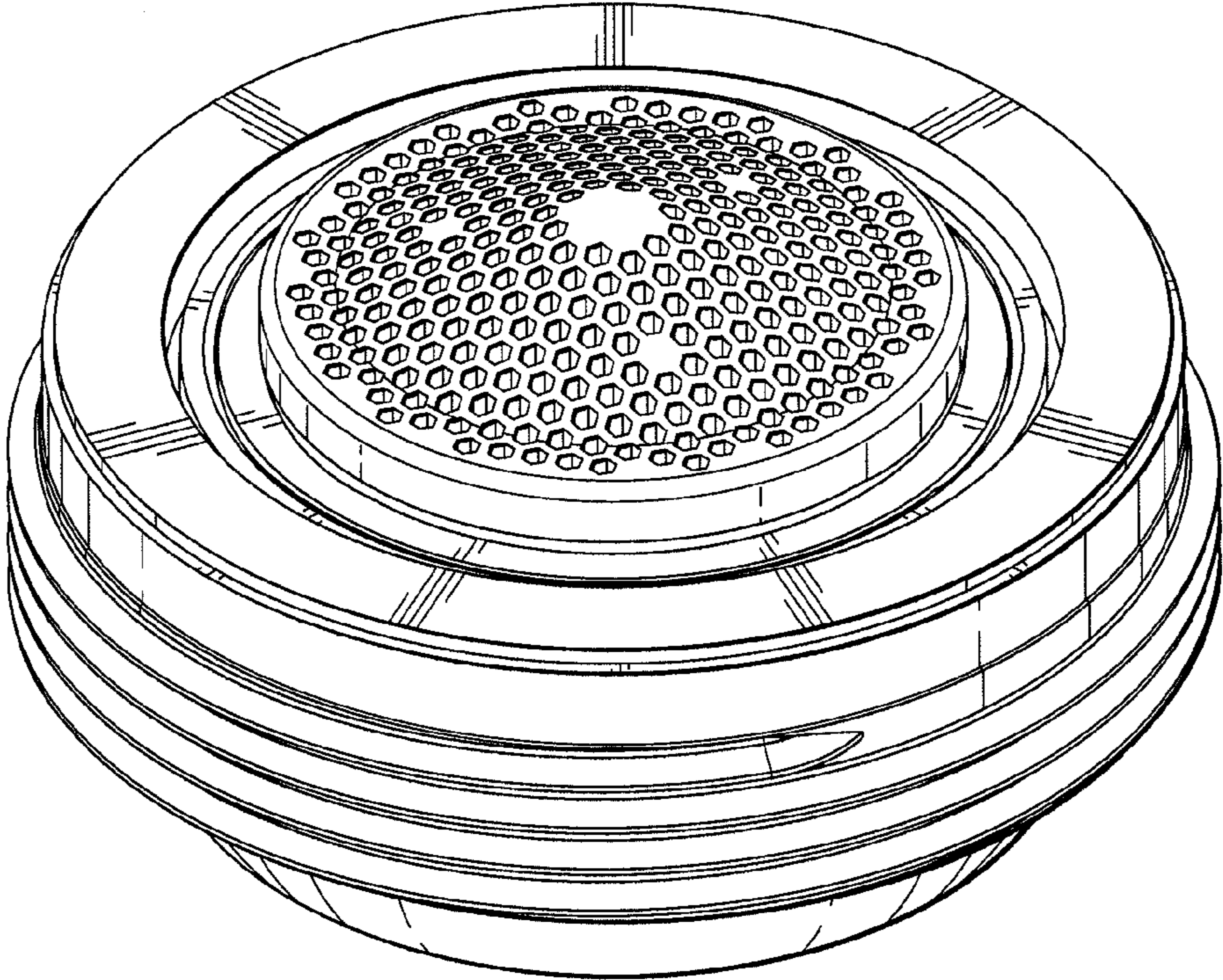


Fig. 2

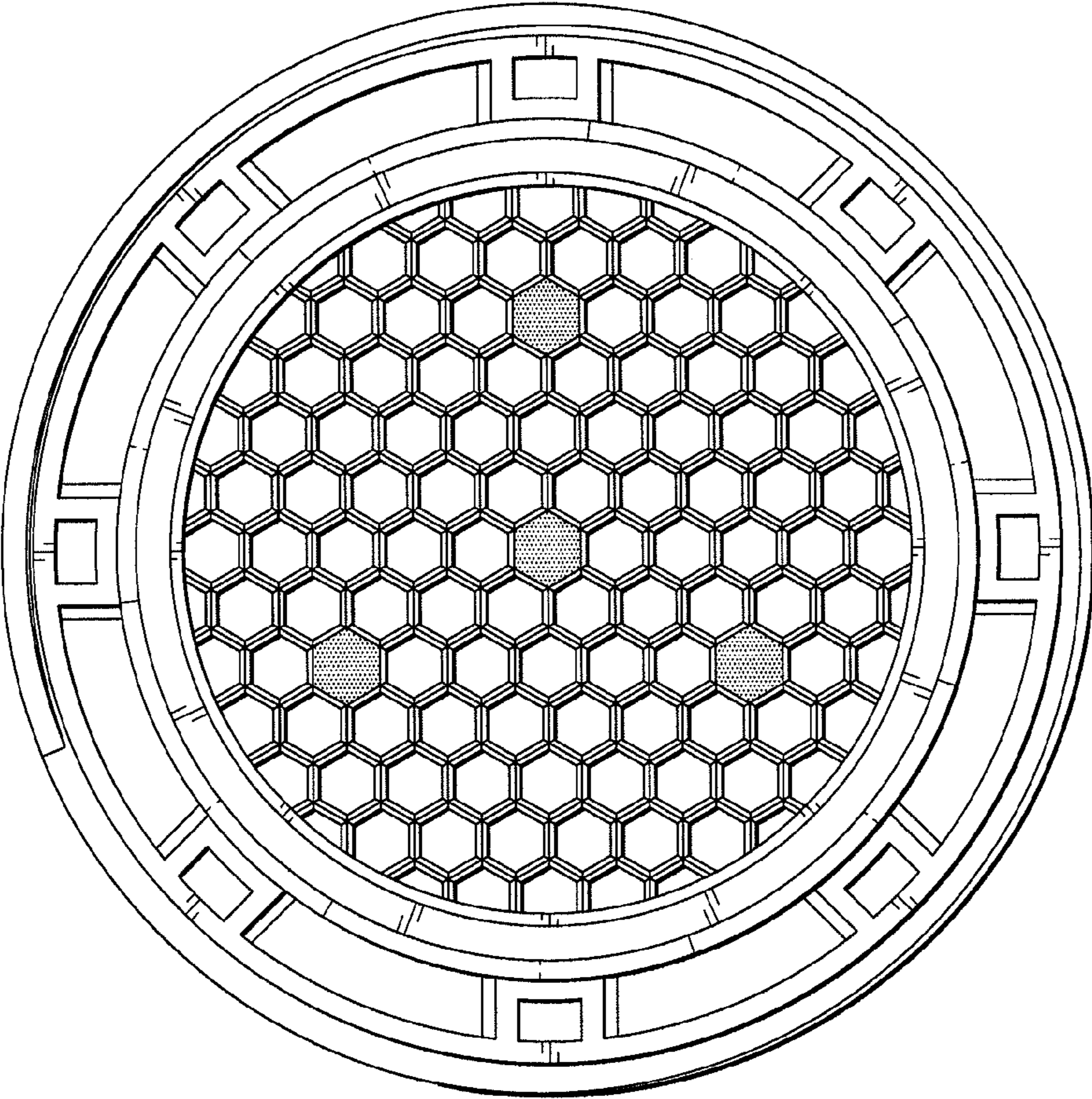


Fig. 3

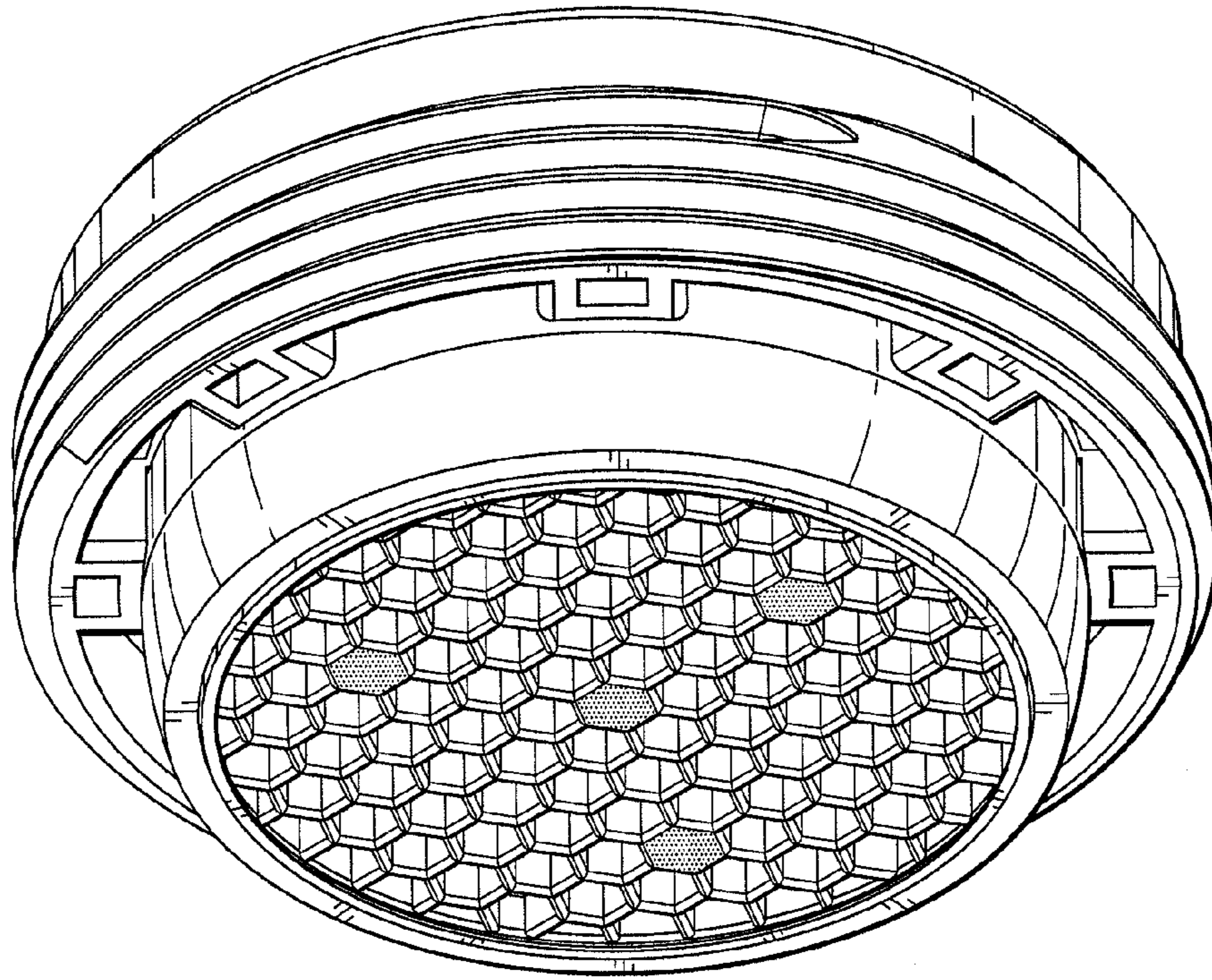


Fig. 4

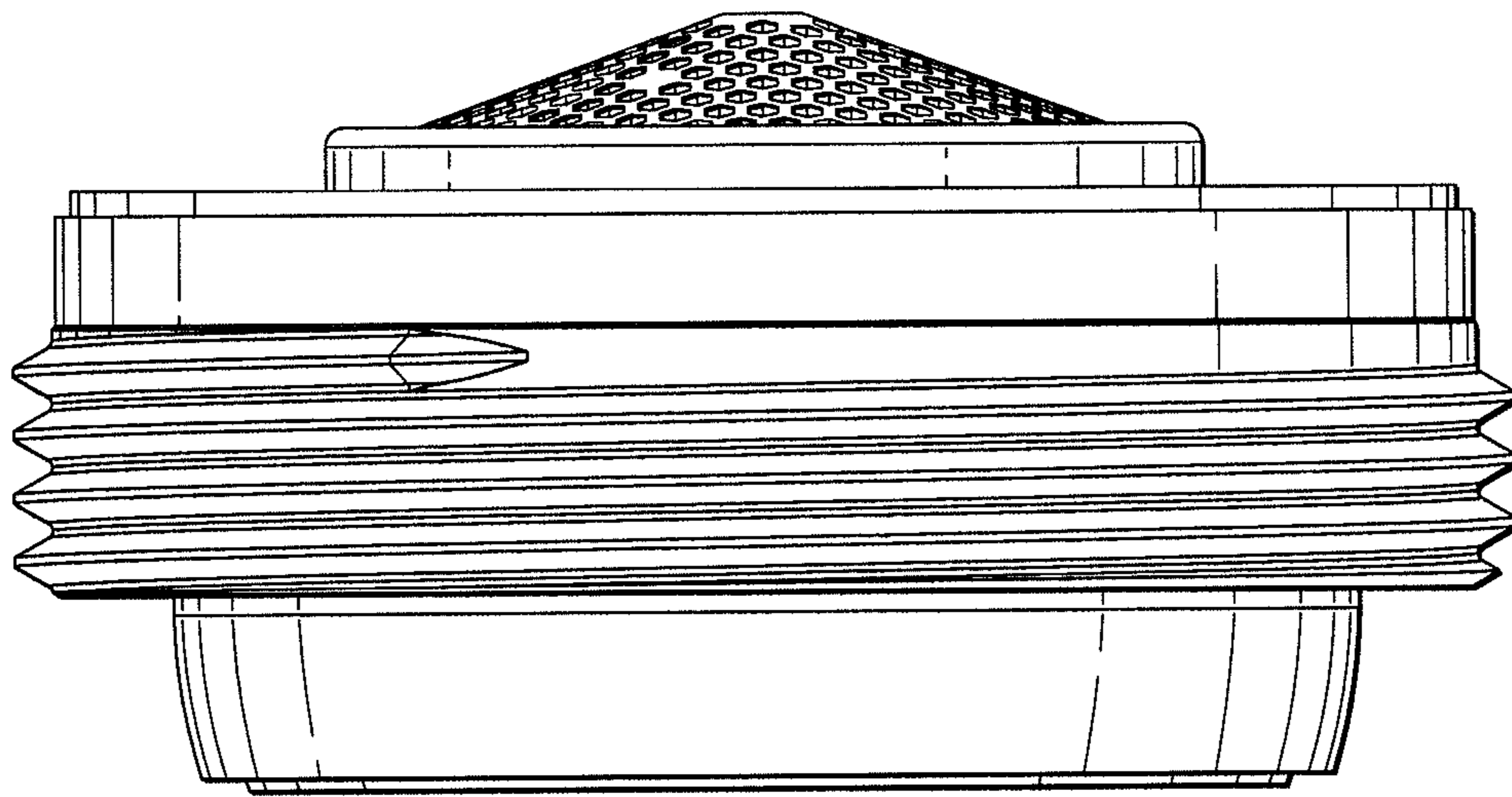


Fig. 5

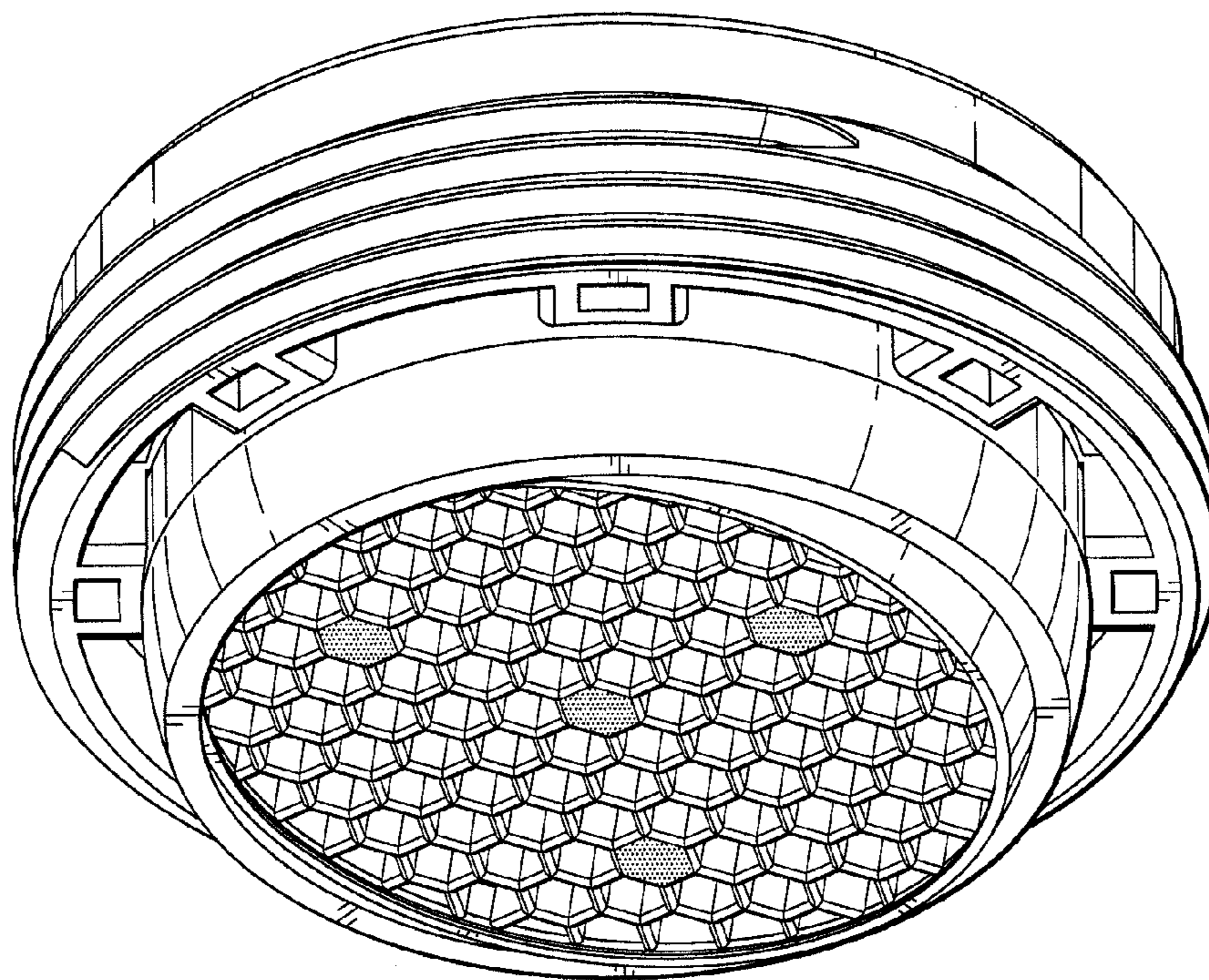


Fig. 6