



US00D639394S

(12) **United States Design Patent**
Citterio

(10) **Patent No.:** **US D639,394 S**

(45) **Date of Patent:** **** Jun. 7, 2011**

(54) **FAUCET**

(75) **Inventor:** **Antonio Citterio**, Milan (IT)

(73) **Assignee:** **Hansgrohe AG**, Schiltach (DE)

(**) **Term:** **14 Years**

(21) **Appl. No.:** **29/367,377**

(22) **Filed:** **Aug. 6, 2010**

(30) **Foreign Application Priority Data**

Feb. 16, 2010 (EM) 001195994-0001

(51) **LOC (9) Cl.** **23-01**

(52) **U.S. Cl.** **D23/238**

(58) **Field of Classification Search** D23/238,
D23/241-243, 250, 252, 255, 257; 4/676-678;
137/801

See application file for complete search history.

(56) **References Cited**

U.S. PATENT DOCUMENTS

D479,740 S *	9/2003	Citterio	D23/242
D538,894 S *	3/2007	Hoernig	D23/241
D580,527 S *	11/2008	Zhang	D23/255
D612,458 S *	3/2010	Allard	D23/255

* cited by examiner

Primary Examiner — Robert Delehanty

(74) *Attorney, Agent, or Firm* — Nirav D. Parikh; Lora J. Graentzdoerffer; Edgar A. Zarins

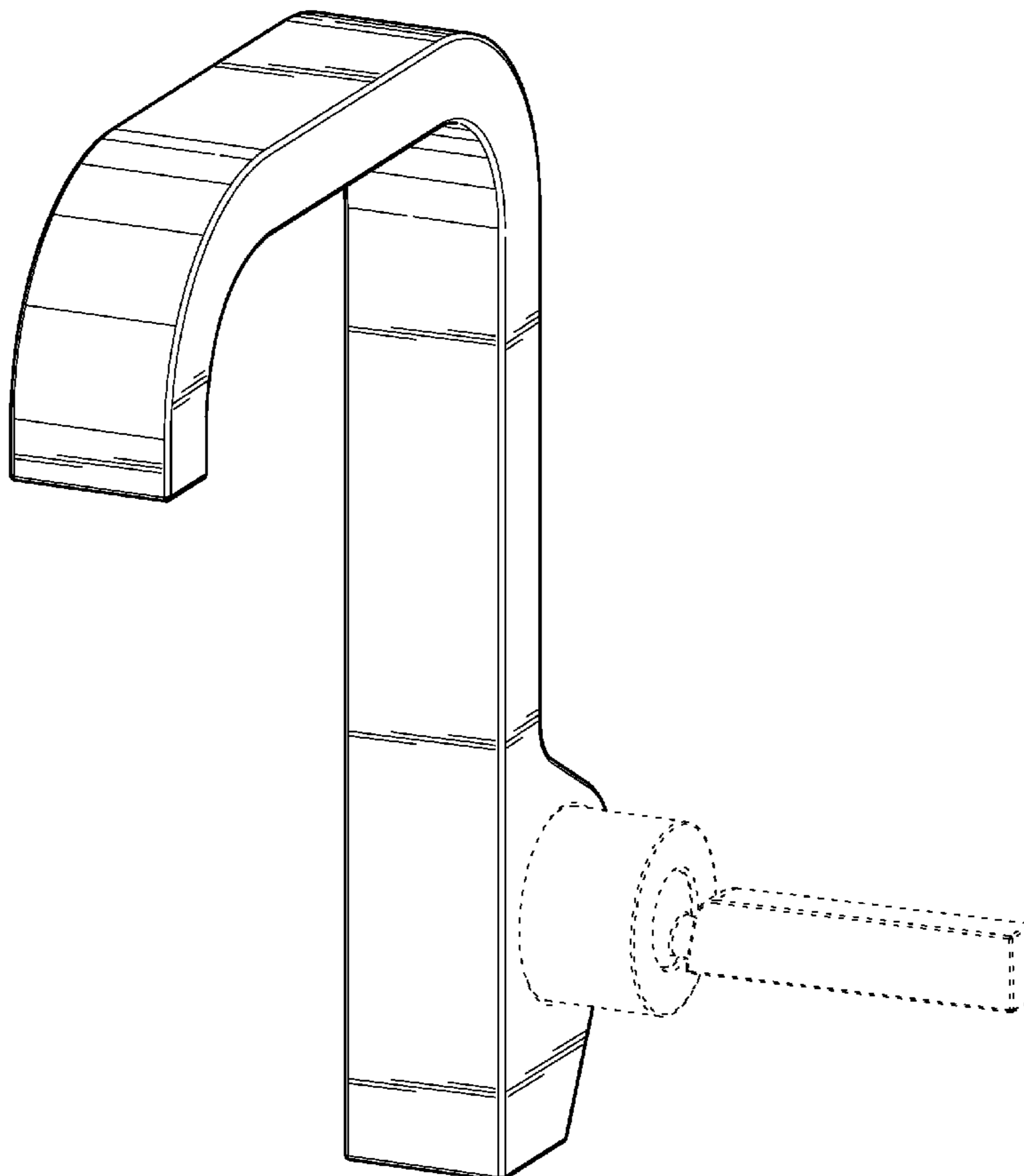
(57) **CLAIM**

The ornamental design for a faucet, as shown and described.

DESCRIPTION

FIG. 1 is a perspective view of a faucet showing my design;
FIG. 2 is a front elevational view thereof;
FIG. 3 is a rear elevational view thereof;
FIG. 4 is a left side elevational view thereof;
FIG. 5 is a right side elevational view thereof;
FIG. 6 is a top plan view thereof; and,
FIG. 7 is a bottom plan view thereof.
The broken lines in the drawings represent unclaimed portions of the design and form no part of the claimed design.

1 Claim, 7 Drawing Sheets



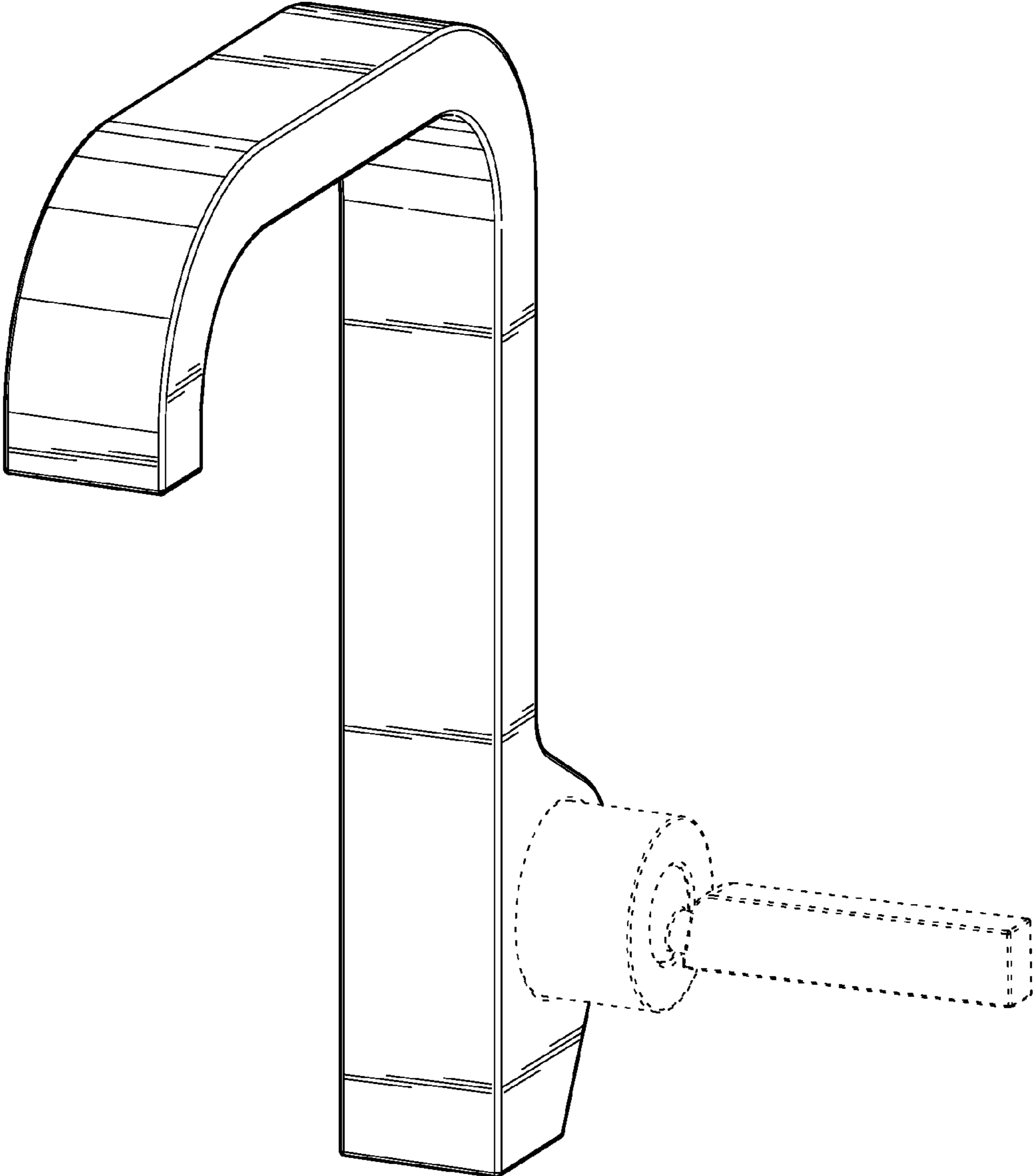


FIG. 1

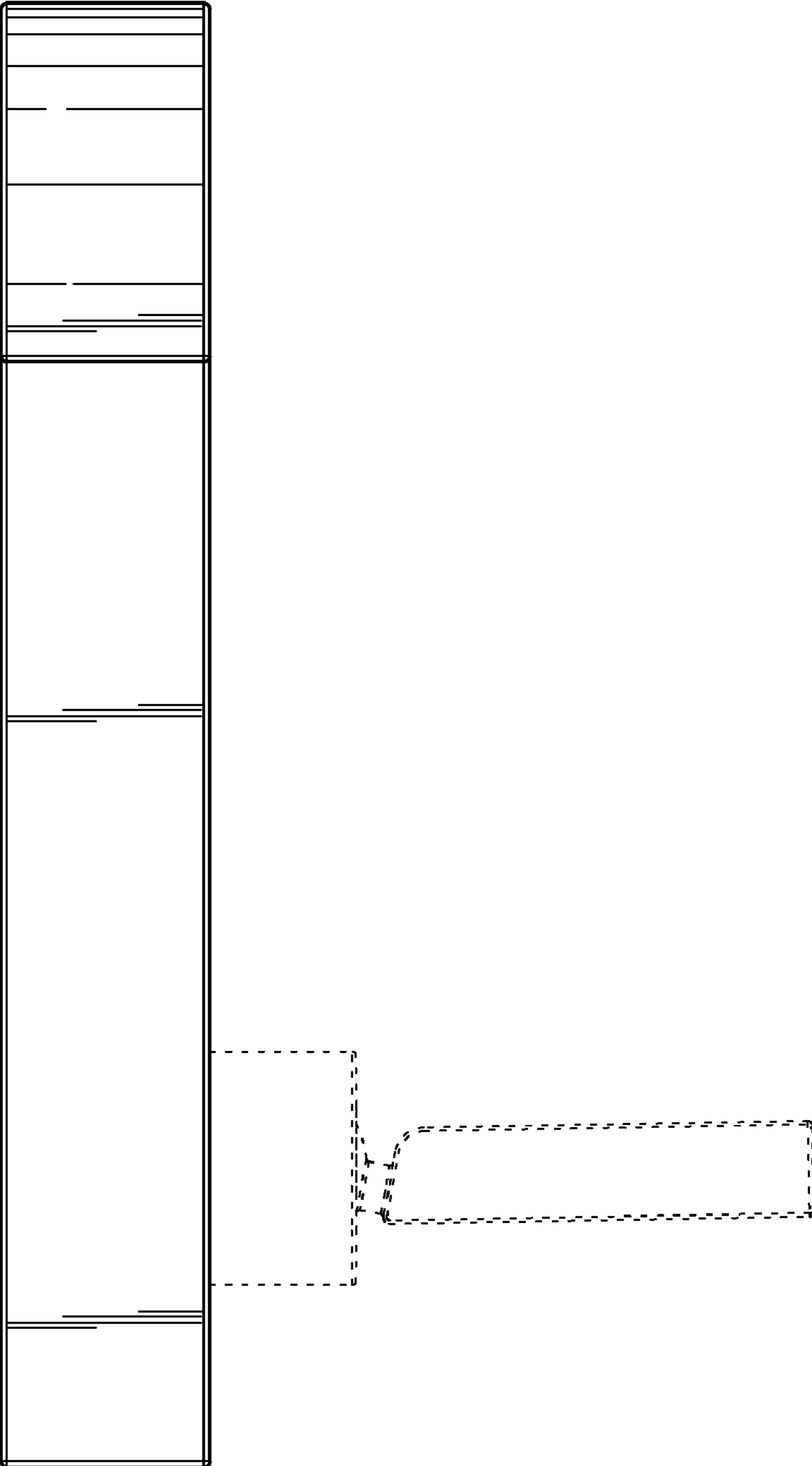


FIG. 2

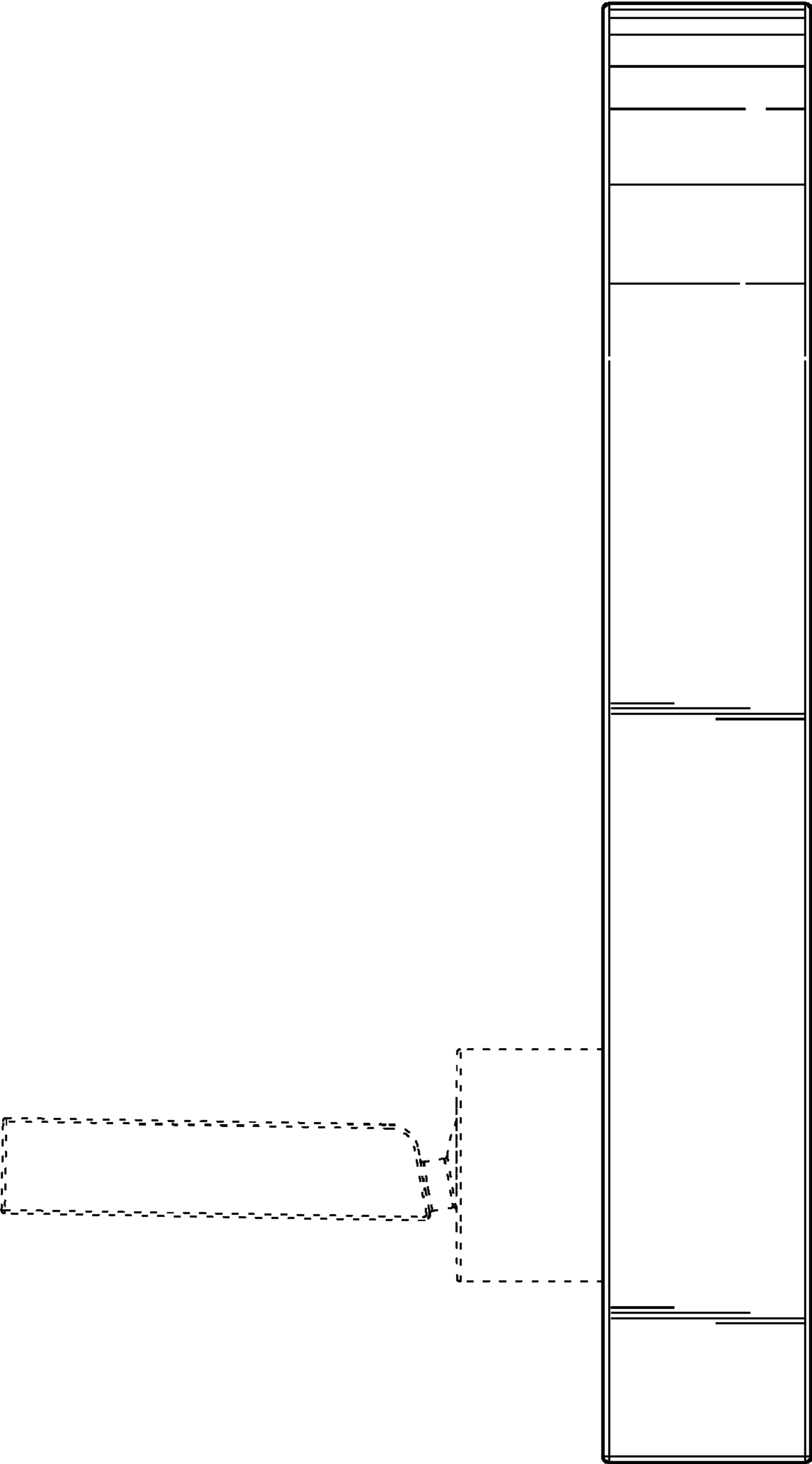


FIG. 3

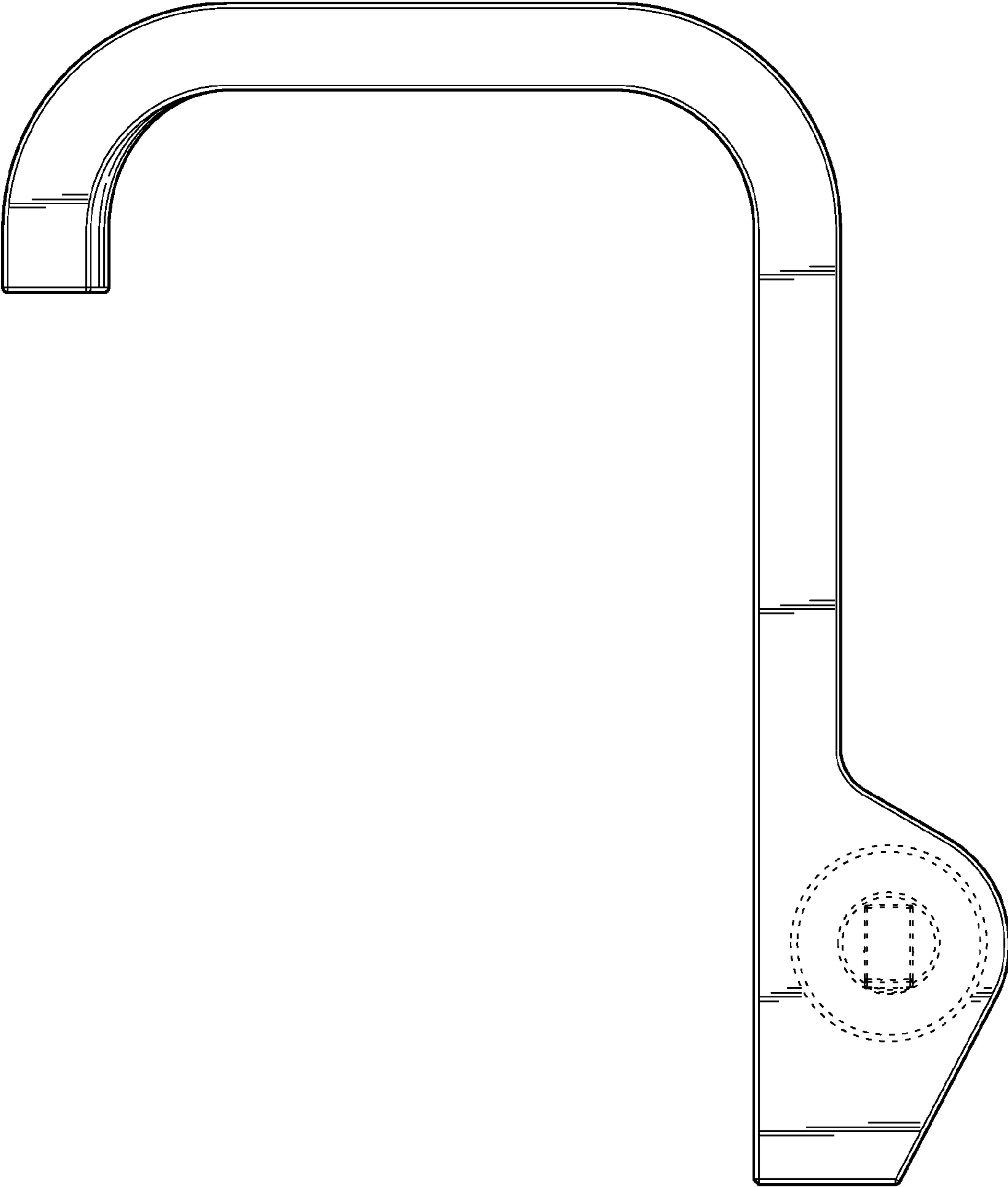


FIG. 4

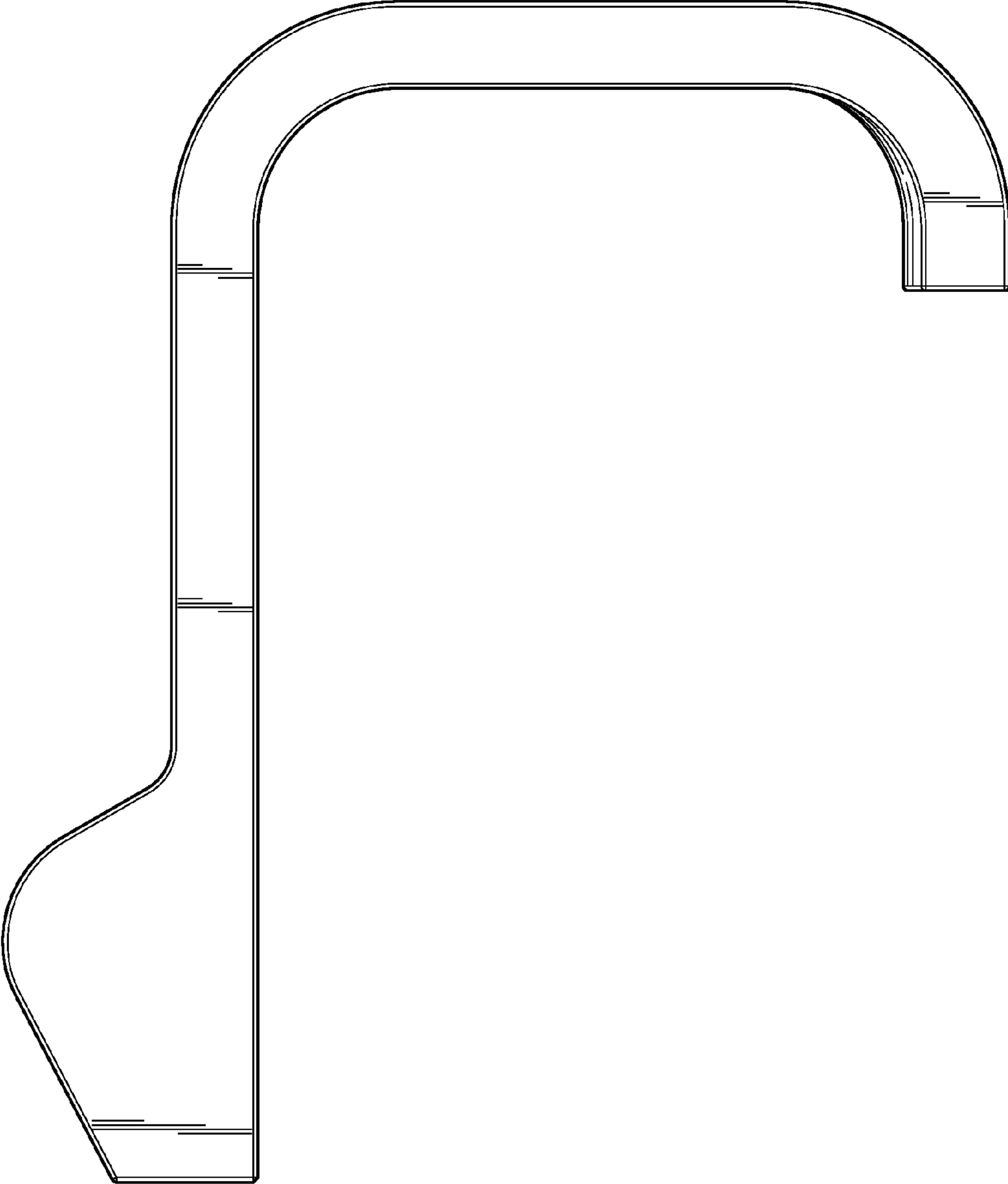


FIG. 5

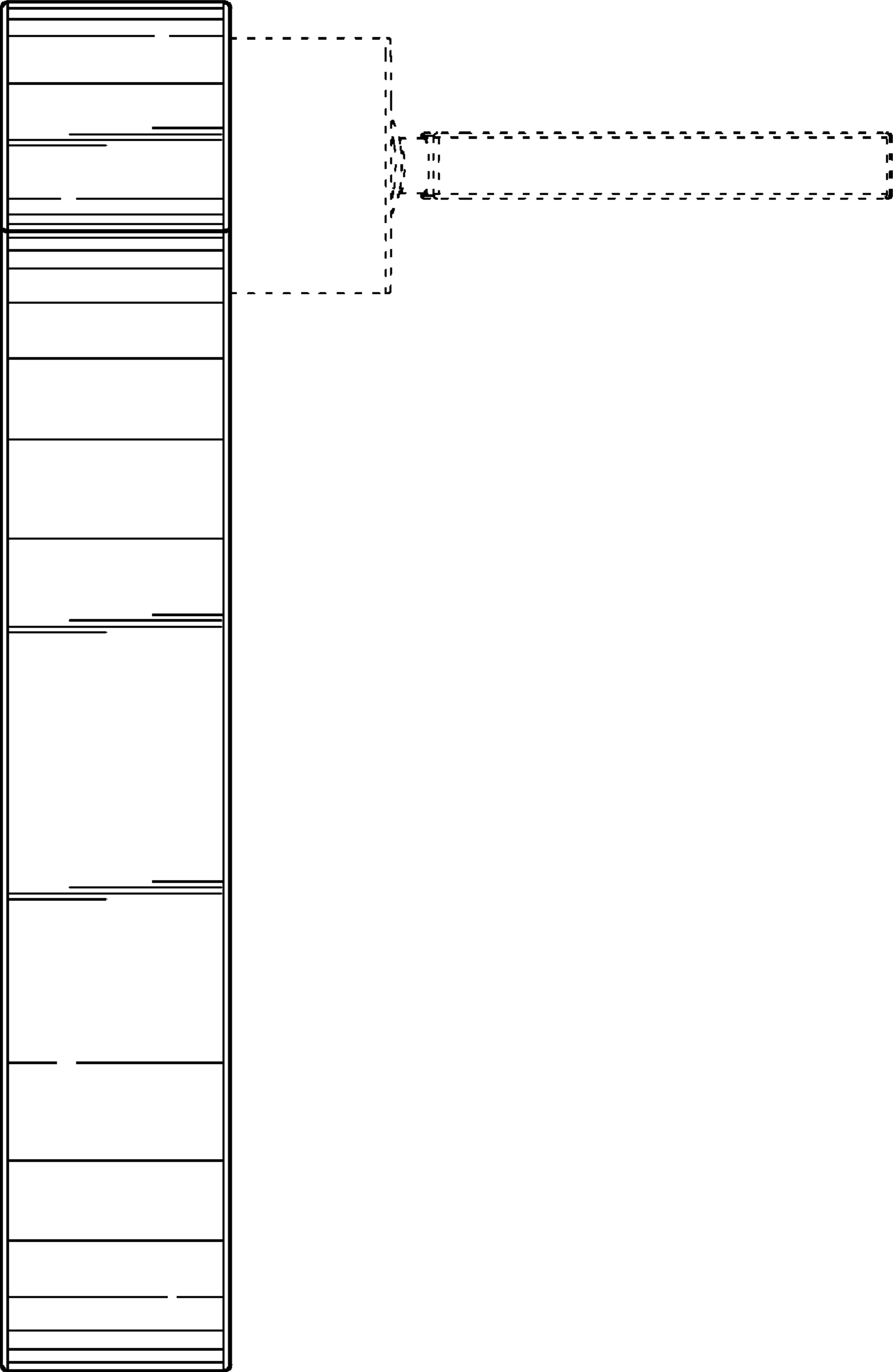


FIG. 6

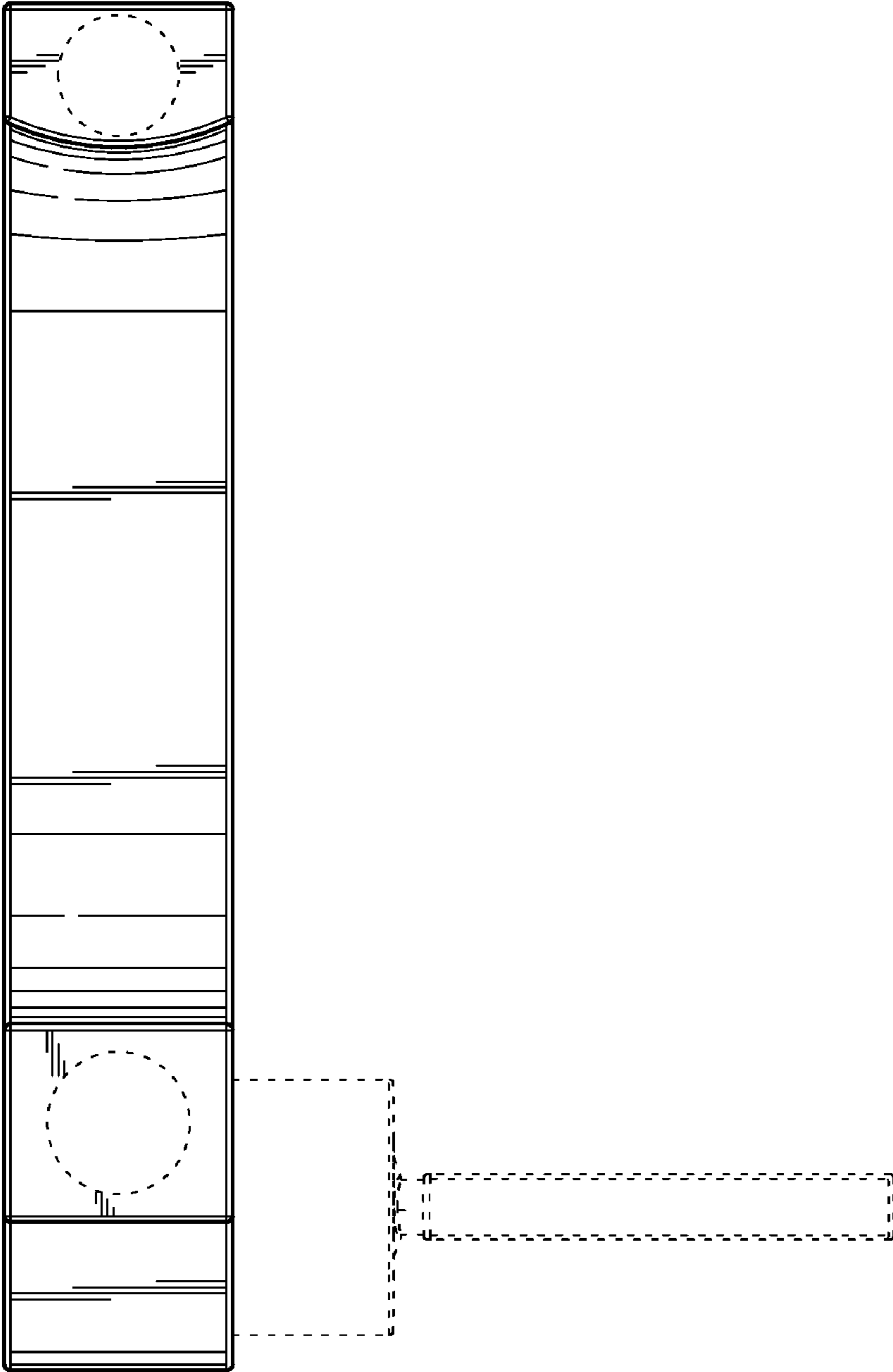


FIG. 7