



US00D639393S

(12) **United States Design Patent**  
**Hayashi**

(10) **Patent No.:** **US D639,393 S**  
(45) **Date of Patent:** **\*\* Jun. 7, 2011**

(54) **ELECTROMAGNETIC VALVE**

(75) Inventor: **Bunya Hayashi**, Tsukubamirai (JP)

(73) Assignee: **SMC Corporation**, Chiyoda-ku, Tokyo (JP)

(\*\*) Term: **14 Years**

(21) Appl. No.: **29/381,976**

(22) Filed: **Dec. 27, 2010**

(30) **Foreign Application Priority Data**

Sep. 28, 2010 (JP) ..... 2010-023193

(51) **LOC (9) Cl.** ..... **23-01**

(52) **U.S. Cl.** ..... **D23/233**

(58) **Field of Classification Search** ..... D23/233-237,  
D23/244-249; D15/5, 7, 199; 137/554,  
137/557, 560, 882, 884, 269, 271, 343, 625.64;  
251/597.13, 596.16, 331, 15, 130, 219, 129.04;  
4/304

See application file for complete search history.

(56) **References Cited**

**U.S. PATENT DOCUMENTS**

D544,578 S \* 6/2007 Matsumoto et al. .... D23/233  
D546,420 S \* 7/2007 Matsumoto et al. .... D23/233

D574,466 S \* 8/2008 Kato ..... D23/233  
\* cited by examiner

*Primary Examiner* — Cathron C. Brooks

*Assistant Examiner* — Maurice Stevens

(74) *Attorney, Agent, or Firm* — Yokoi & Co., U.S.A., Inc.;  
Toshiyuki Yokoi

(57) **CLAIM**

The ornamental design for an electromagnetic valve, as shown and described.

**DESCRIPTION**

FIG. 1 shows a front view of an electromagnetic valve showing my new design;

FIG. 2 shows a rear view thereof;

FIG. 3 shows a right side view thereof;

FIG. 4 shows a left side view thereof;

FIG. 5 shows a top view thereof;

FIG. 6 shows a bottom view thereof;

FIG. 7 shows a top, front and left side perspective view thereof; and,

FIG. 8 shows a bottom, rear and right side perspective view thereof.

The portions of the design shown in broken lines in FIGS. 1-2 and 5-8 are for the purpose of illustrating the environment only and form no part of the claimed design.

**1 Claim, 6 Drawing Sheets**

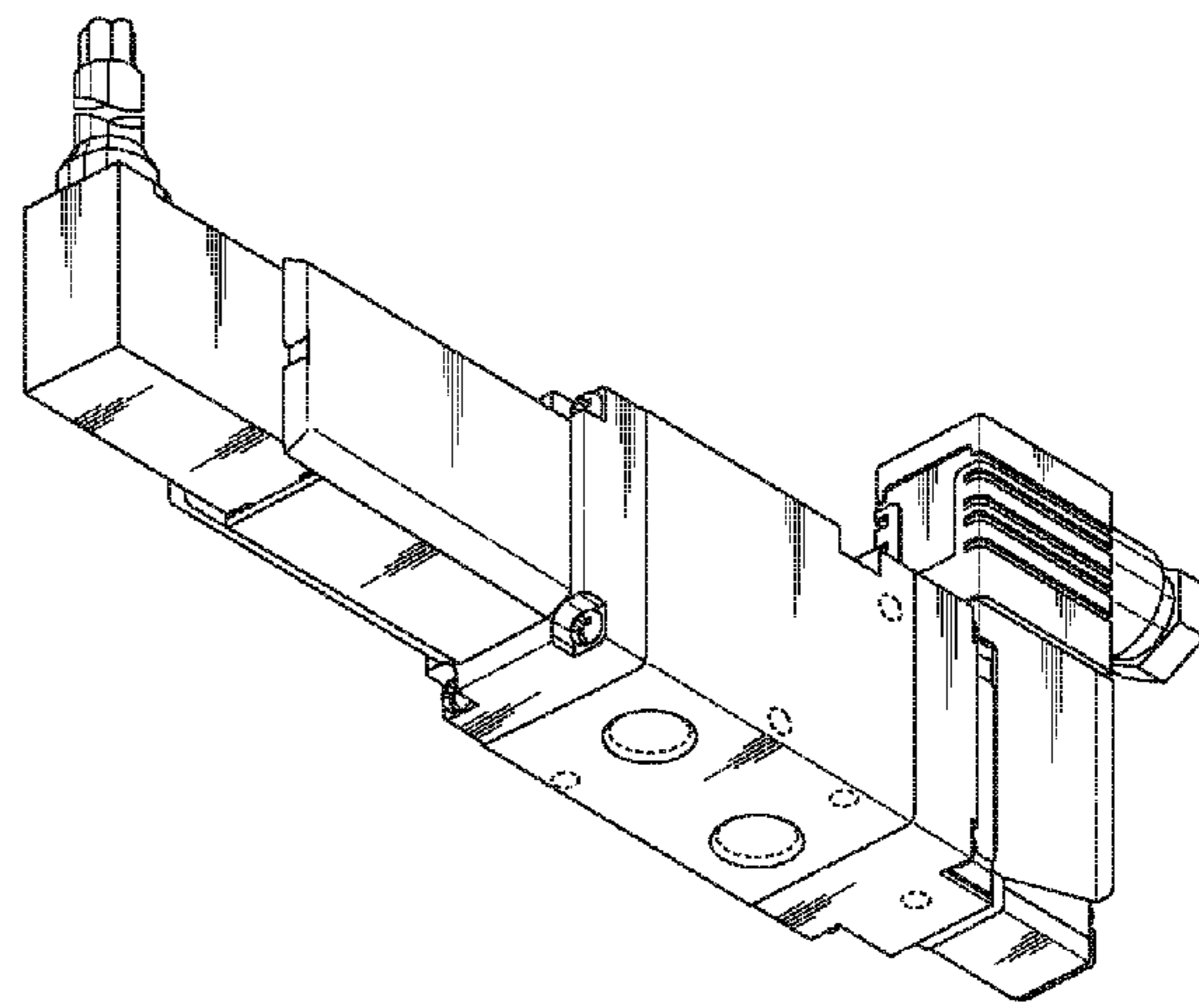
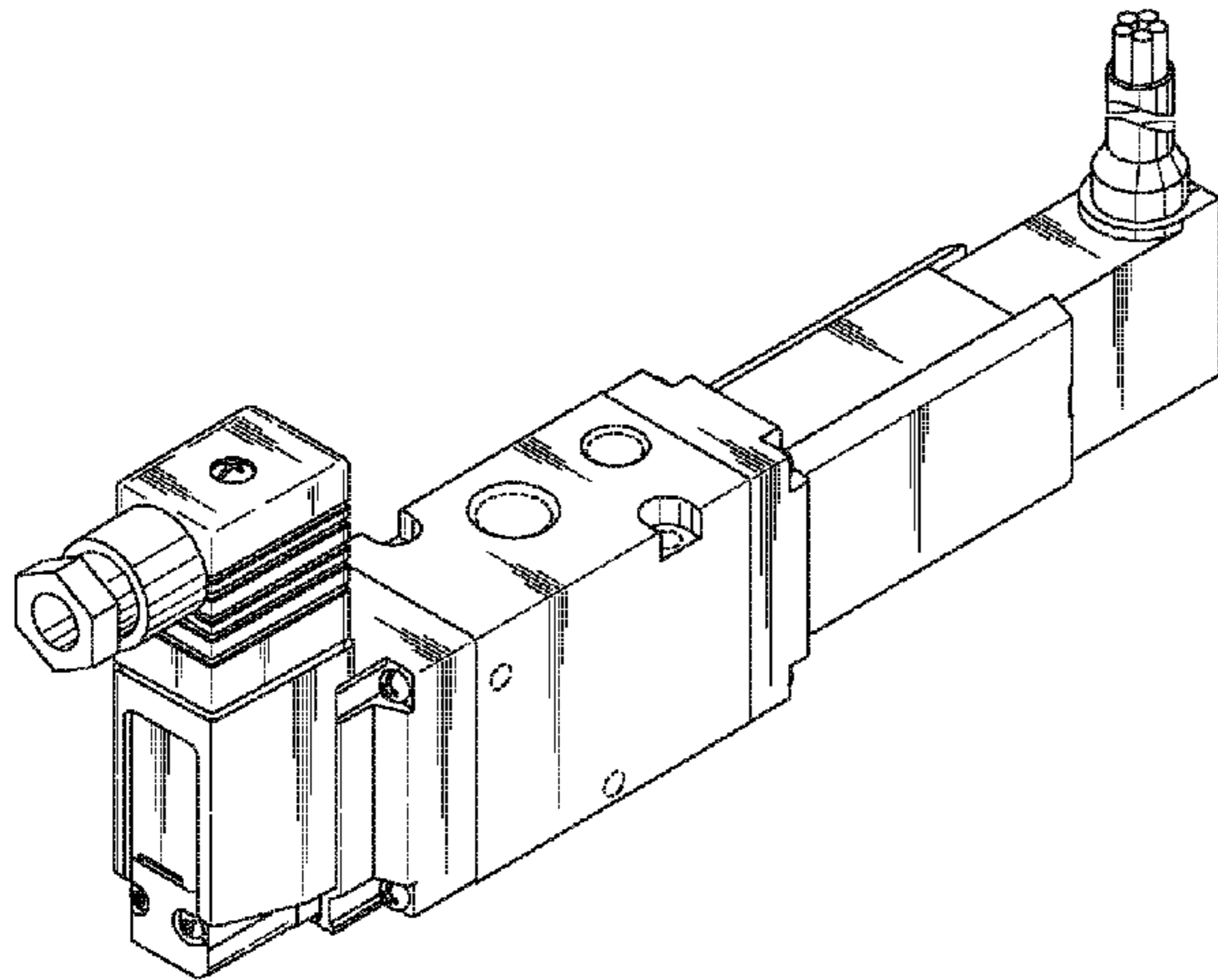


FIG. 1

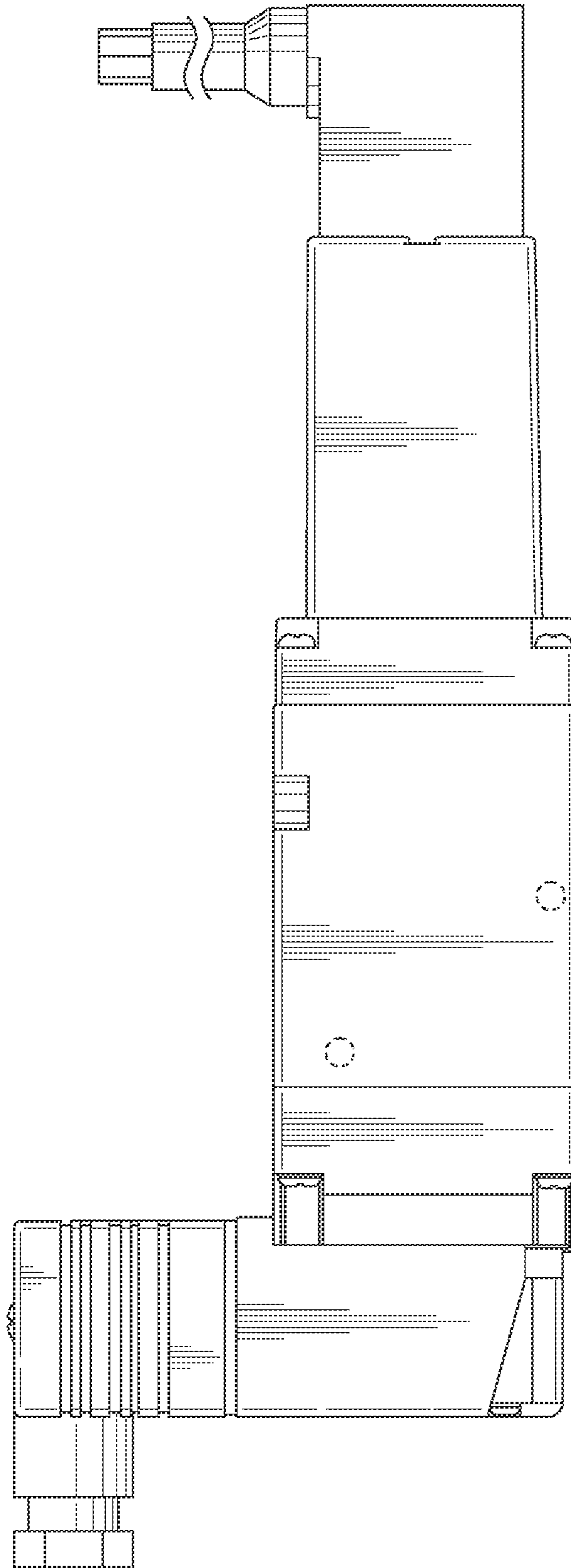


FIG. 2

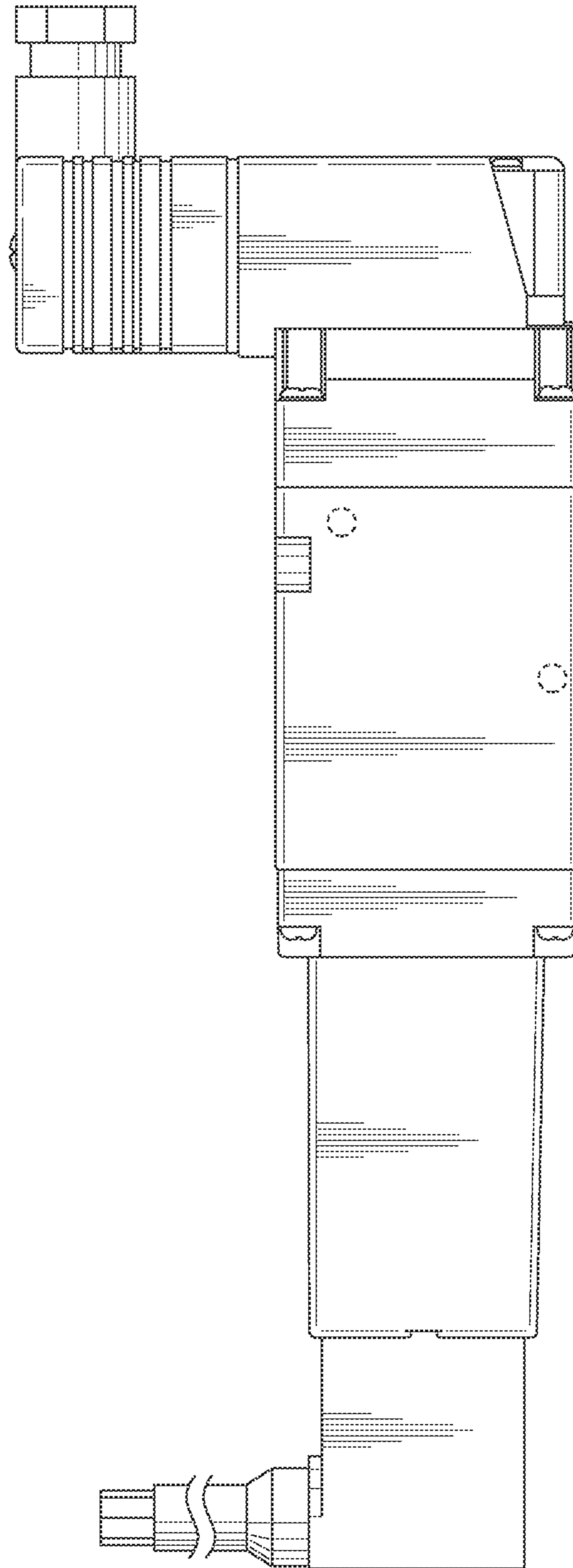


FIG. 3

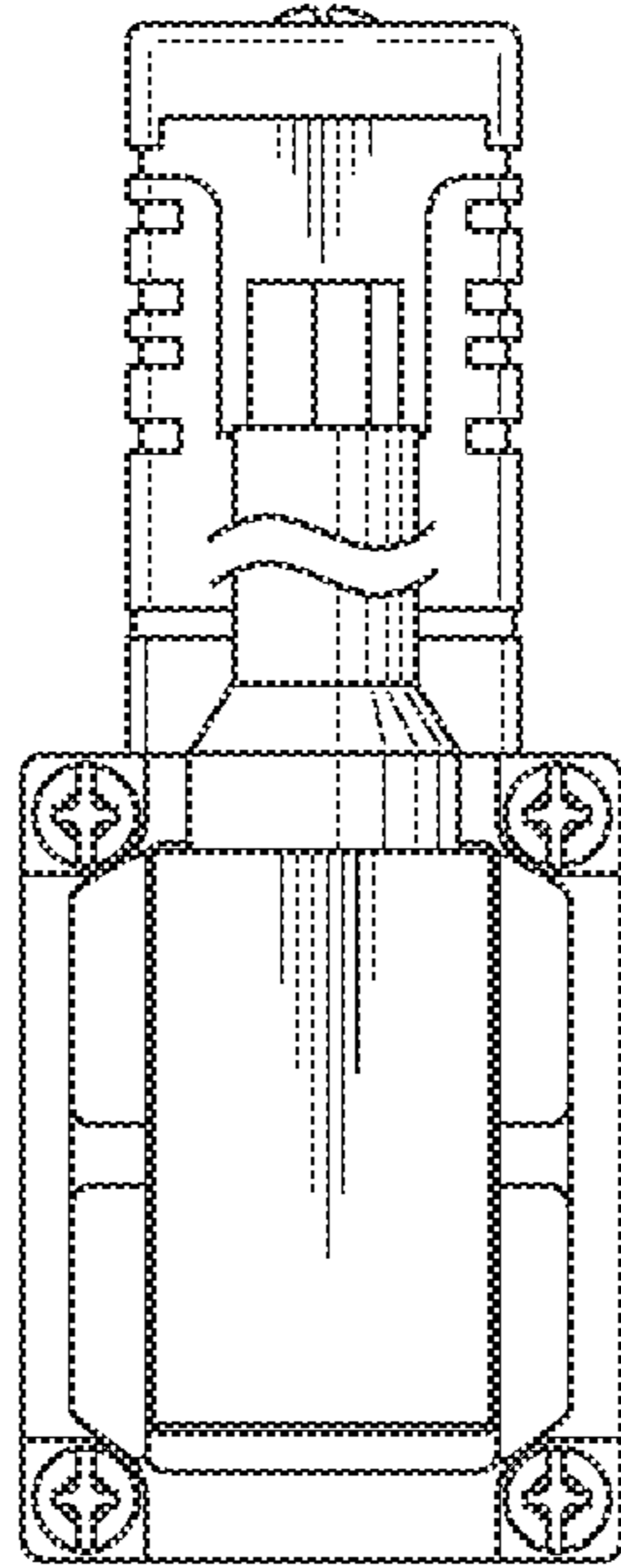


FIG. 4

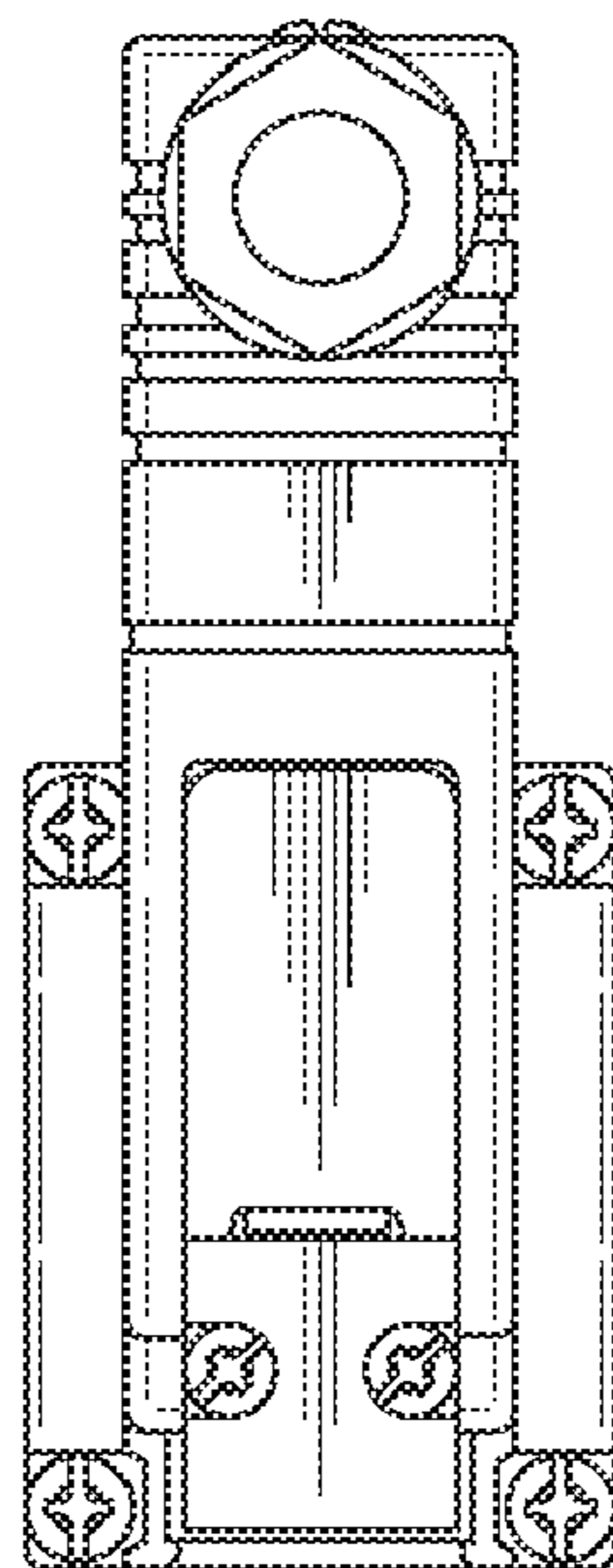


FIG. 5

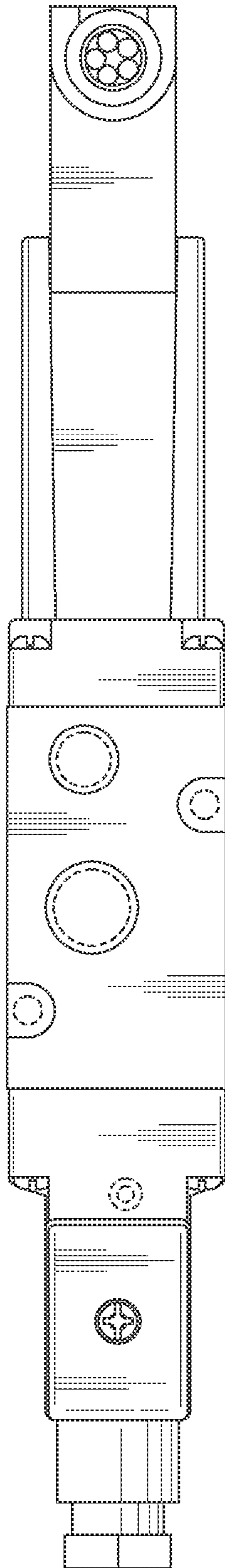


FIG. 6

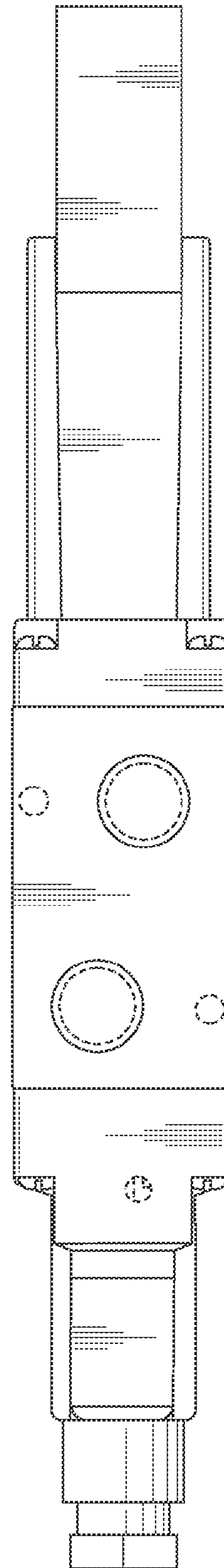


FIG. 7

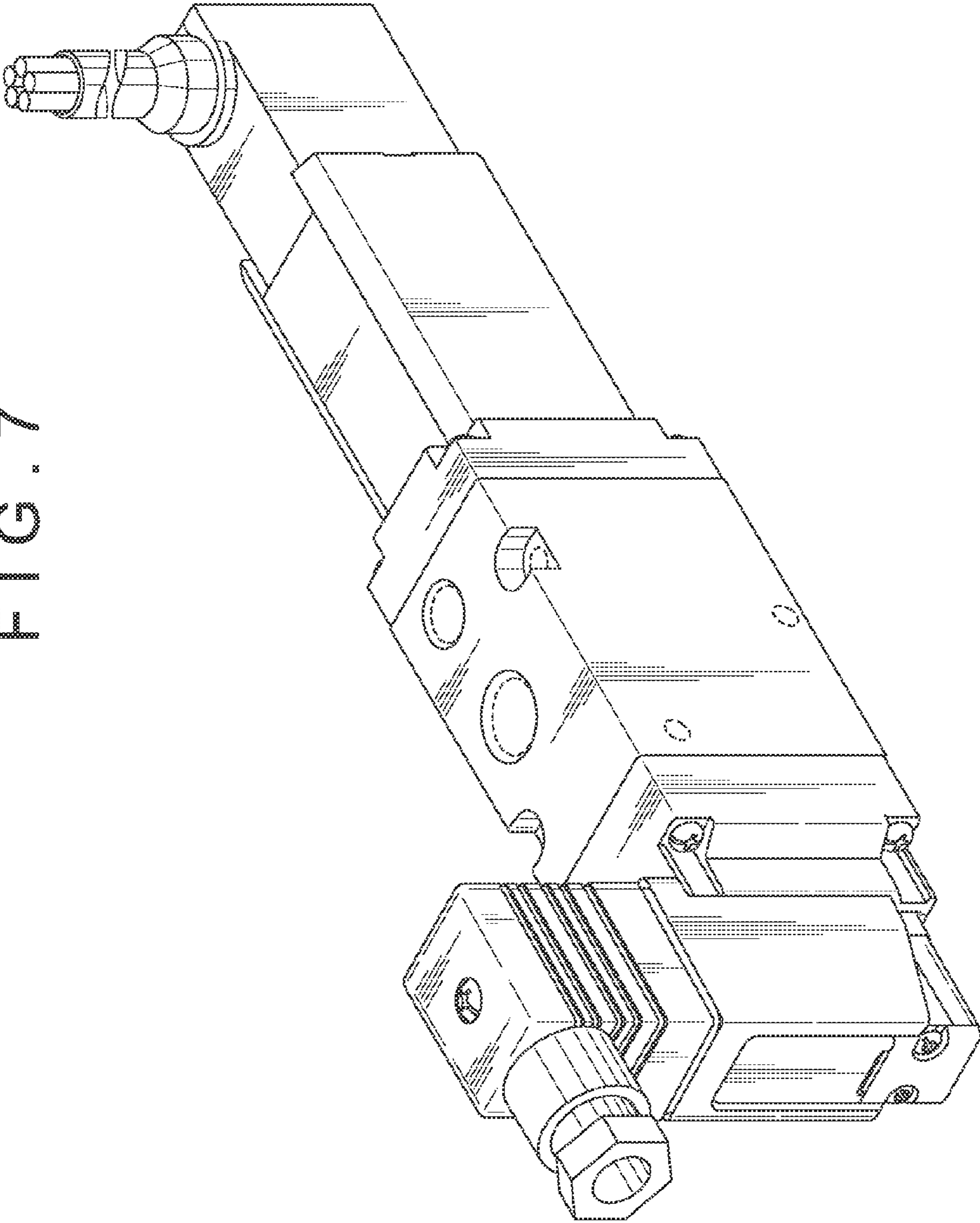


FIG. 8

