



US00D639391S

(12) **United States Design Patent**  
**Yongyan**

(10) **Patent No.:** **US D639,391 S**

(45) **Date of Patent:** **\*\* \*Jun. 7, 2011**

(54) **SHOWER HEAD ASSEMBLY WITH  
HAND-HELD SHOWER HEAD ELEMENT**

D559,949 S \* 1/2008 Bickler et al. .... D23/228  
D575,846 S \* 8/2008 Lobermeier et al. .... D23/228  
D614,732 S \* 4/2010 Deng et al. .... D23/228

(75) Inventor: **Zhou Yongyan**, Ningde (CN)

\* cited by examiner

(73) Assignee: **Xiamen Lota International Co., Ltd.**,  
Xiamen (CN)

*Primary Examiner* — Robin Webster

(\* ) Notice: This patent is subject to a terminal dis-  
claimer.

(74) *Attorney, Agent, or Firm* — McDermott Will & Emery  
LLP

(\*\*) Term: **14 Years**

(57) **CLAIM**

I claim the ornamental design for a shower head assembly  
with hand-held shower head element, as shown and  
described.

(21) Appl. No.: **29/351,986**

**DESCRIPTION**

(22) Filed: **Dec. 15, 2009**

(51) **LOC (9) Cl.** ..... **23-01**

(52) **U.S. Cl.** ..... **D23/228**

(58) **Field of Classification Search** ..... D23/303,  
D23/304, 228–230, 213; 4/570, 568, 596,  
4/601, 605; 239/282–283

See application file for complete search history.

FIG. 1 is a perspective view of a shower head assembly with  
hand-held shower head element;  
FIG. 2 is a frontal view of the shower head assembly of FIG.  
1;  
FIG. 3 is a rear view of the shower head assembly of FIG. 1;  
FIG. 4 is a left side view of the shower head assembly of FIG.  
1;  
FIG. 5 is a right view of the shower head assembly of FIG. 1;  
FIG. 6 is a top side view of the shower head assembly of FIG.  
1; and,  
FIG. 7 is a bottom side view of the shower head assembly of  
FIG. 1.

(56) **References Cited**

**U.S. PATENT DOCUMENTS**

D466,992 S \* 12/2002 Tse ..... D23/304  
7,043,776 B1 \* 5/2006 Wu ..... 4/601  
7,143,961 B1 \* 12/2006 Wu et al. .... 239/446  
7,293,302 B2 \* 11/2007 Mesa ..... 4/601

**1 Claim, 7 Drawing Sheets**

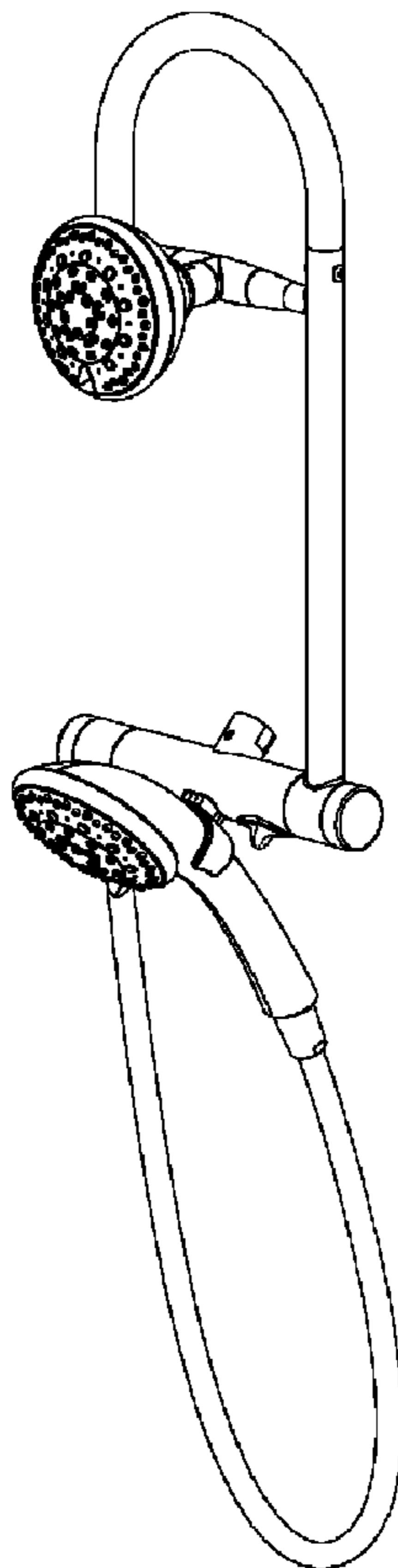


FIG. 1

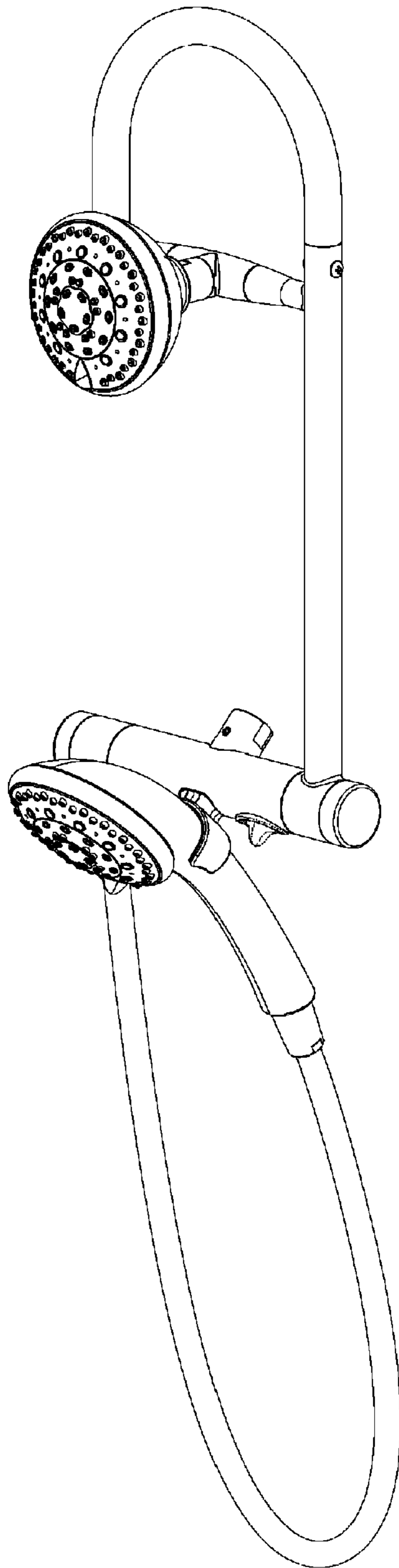


FIG. 2

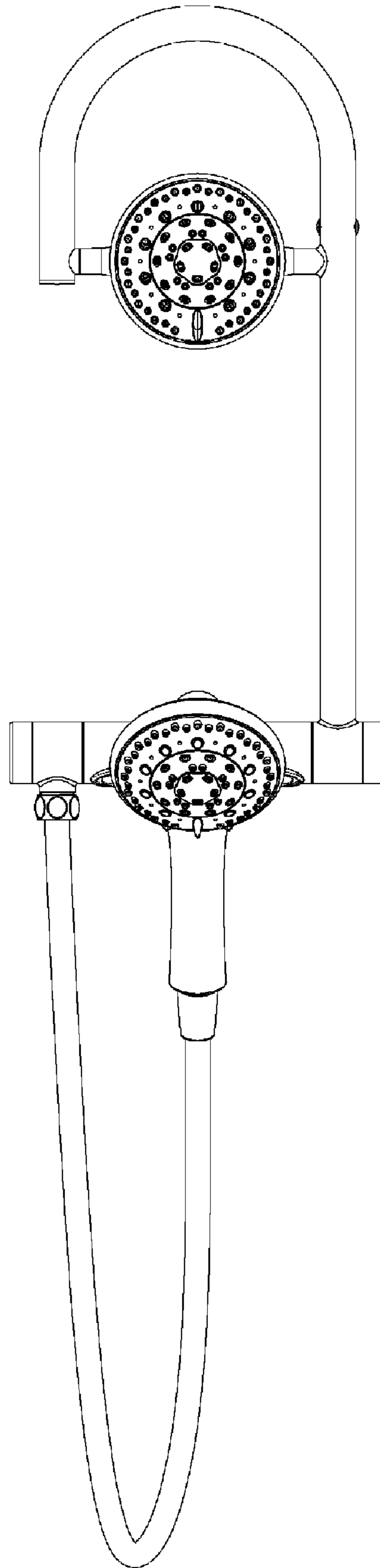


FIG. 3

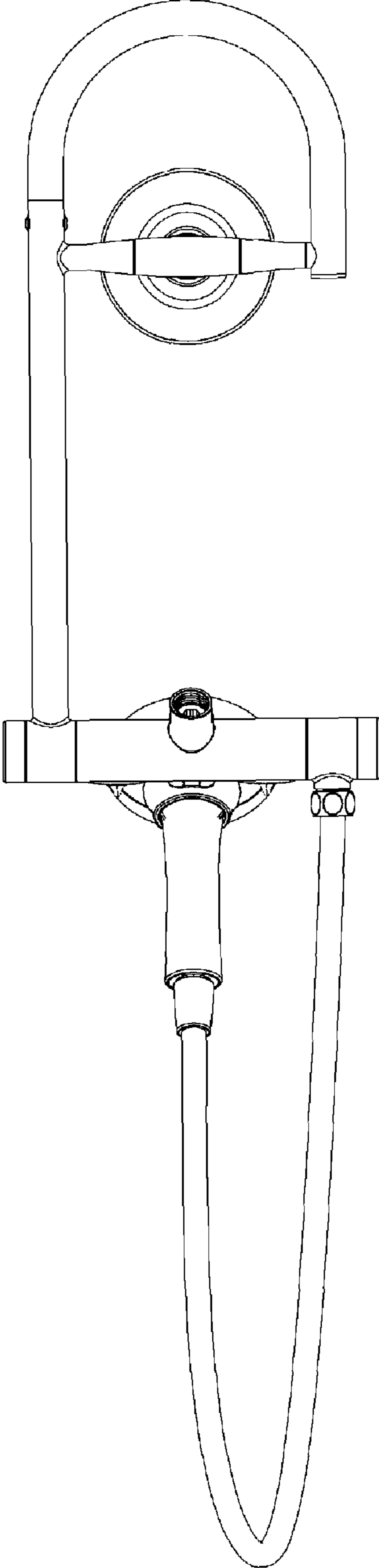


FIG. 4

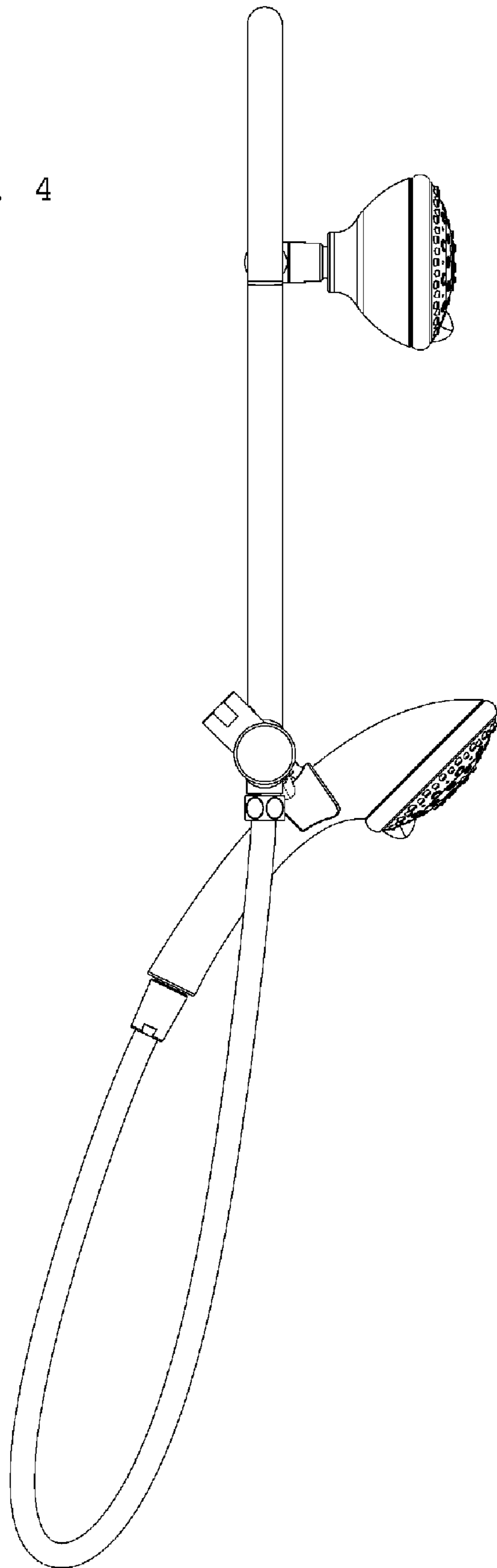


FIG. 5

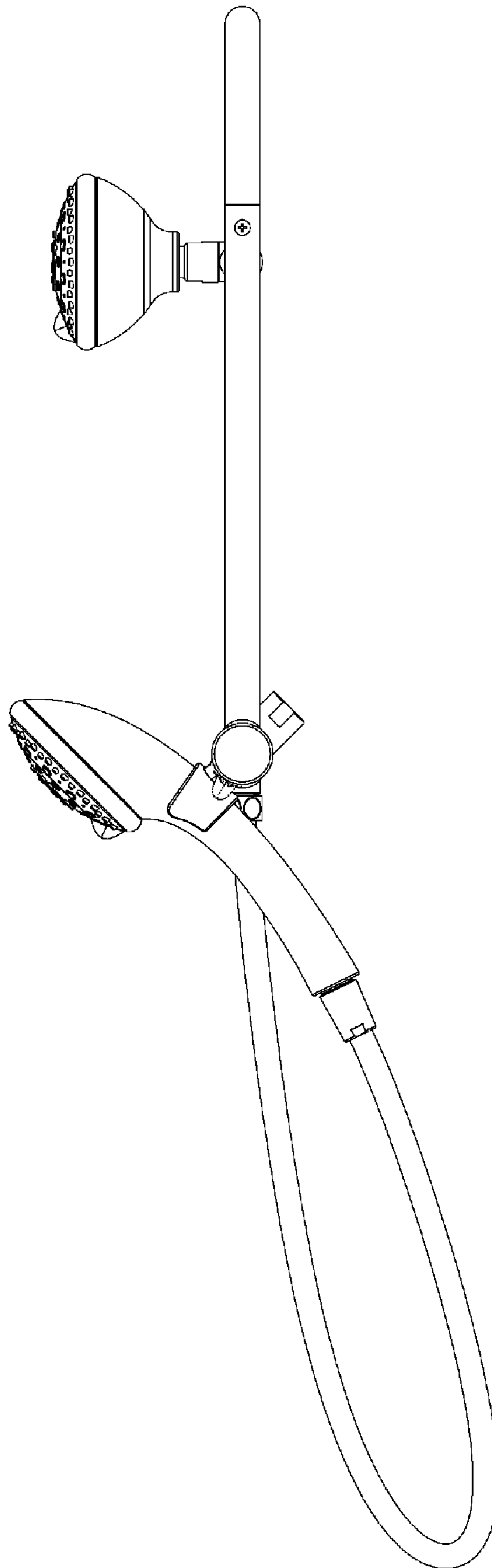


FIG. 6

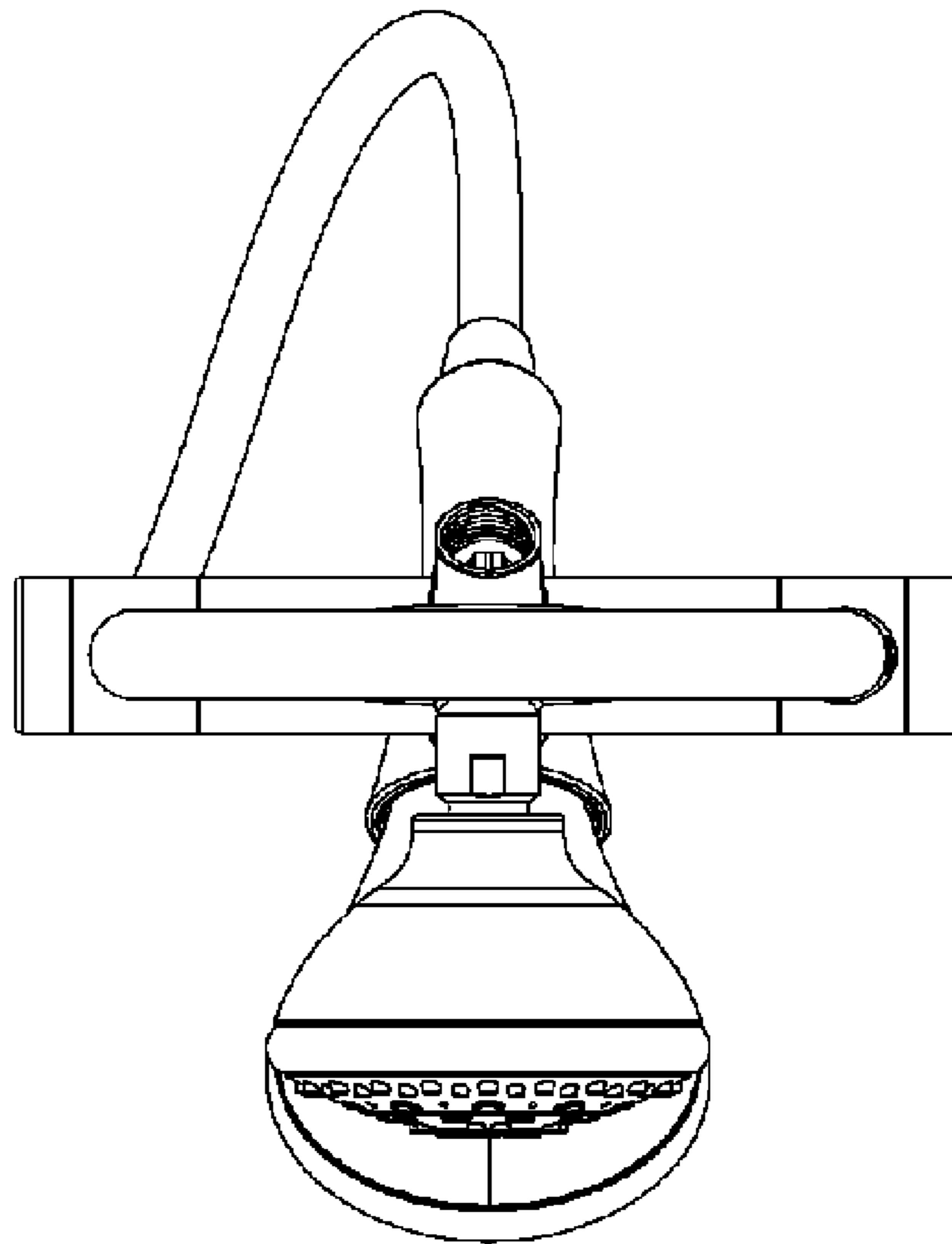


FIG. 7

