



US00D639390S

(12) **United States Design Patent**
Wu

(10) **Patent No.:** **US D639,390 S**

(45) **Date of Patent:** **** Jun. 7, 2011**

(54) **SPRAY GUN**

(75) Inventor: **Jui-Chang Wu**, Fuxing Township (TW)

(73) Assignee: **SK & Y Agricultural Equipments Co., Ltd.**, Fuxing Township (TW)

(**) Term: **14 Years**

(21) Appl. No.: **29/377,842**

(22) Filed: **Oct. 27, 2010**

(51) **LOC (9) Cl.** **23-01**

(52) **U.S. Cl.** **D23/226**

(58) **Field of Classification Search** D23/213,
D23/223, 225, 226; 239/332, 333, 337, 302,
239/308, 316, DIG. 14, 152, 154, 532, 526
See application file for complete search history.

(56) **References Cited**

U.S. PATENT DOCUMENTS

D394,491	S *	5/1998	Guo	D23/226
5,769,321	A *	6/1998	Cyphers	239/154
6,305,619	B1 *	10/2001	Thurn	239/337
D458,664	S *	6/2002	Wang	D23/226
6,412,707	B1 *	7/2002	Wirz	239/154
6,540,163	B1 *	4/2003	Huang	239/587.5
6,581,853	B1 *	6/2003	Huang	239/532

D615,616	S *	5/2010	Chen	D23/226
7,753,290	B2 *	7/2010	Jacques et al.	239/329
D624,718	S *	9/2010	Kane	D32/35

* cited by examiner

Primary Examiner — Robin Webster

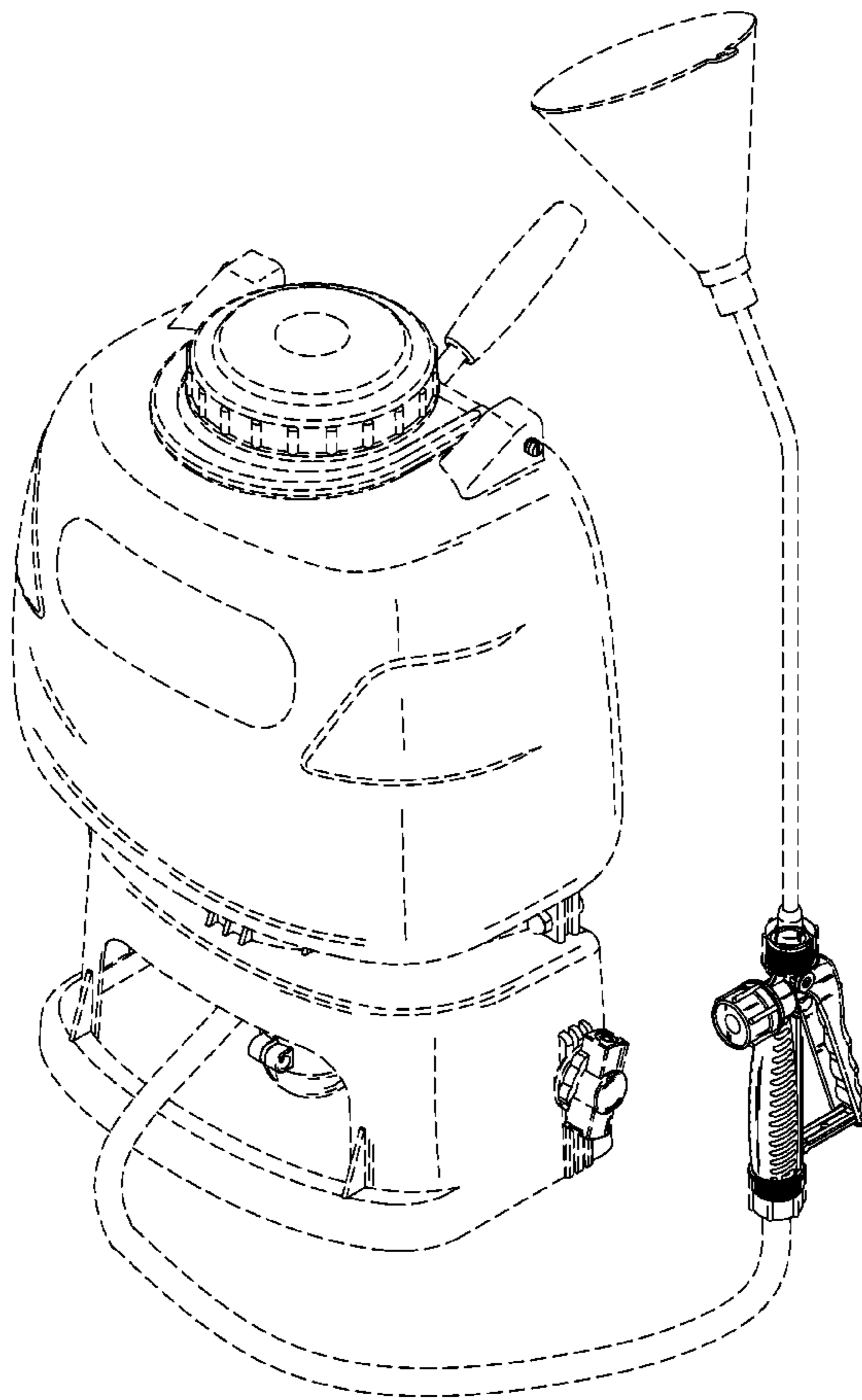
(57) **CLAIM**

The ornamental design for a spray gun, as shown and described.

DESCRIPTION

FIG. 1 is a perspective view of a spray gun showing my new design;
 FIG. 2 is a front view of the embodiment shown in FIG. 1;
 FIG. 3 is a rear view of the embodiment shown in FIG. 1;
 FIG. 4 is a left side view of the embodiment shown in FIG. 1;
 FIG. 5 is a right side view of the embodiment shown in FIG. 1;
 FIG. 6 is a top view of the embodiment shown in FIG. 1;
 FIG. 7 is a bottom view of the embodiment shown in FIG. 1;
 and,
 FIG. 8 is a perspective schematic view illustrating an application of a spray gun showing my design.
 The broken lines in FIG. 8 are for illustrative purposes only and form no part of the claimed design.

1 Claim, 8 Drawing Sheets



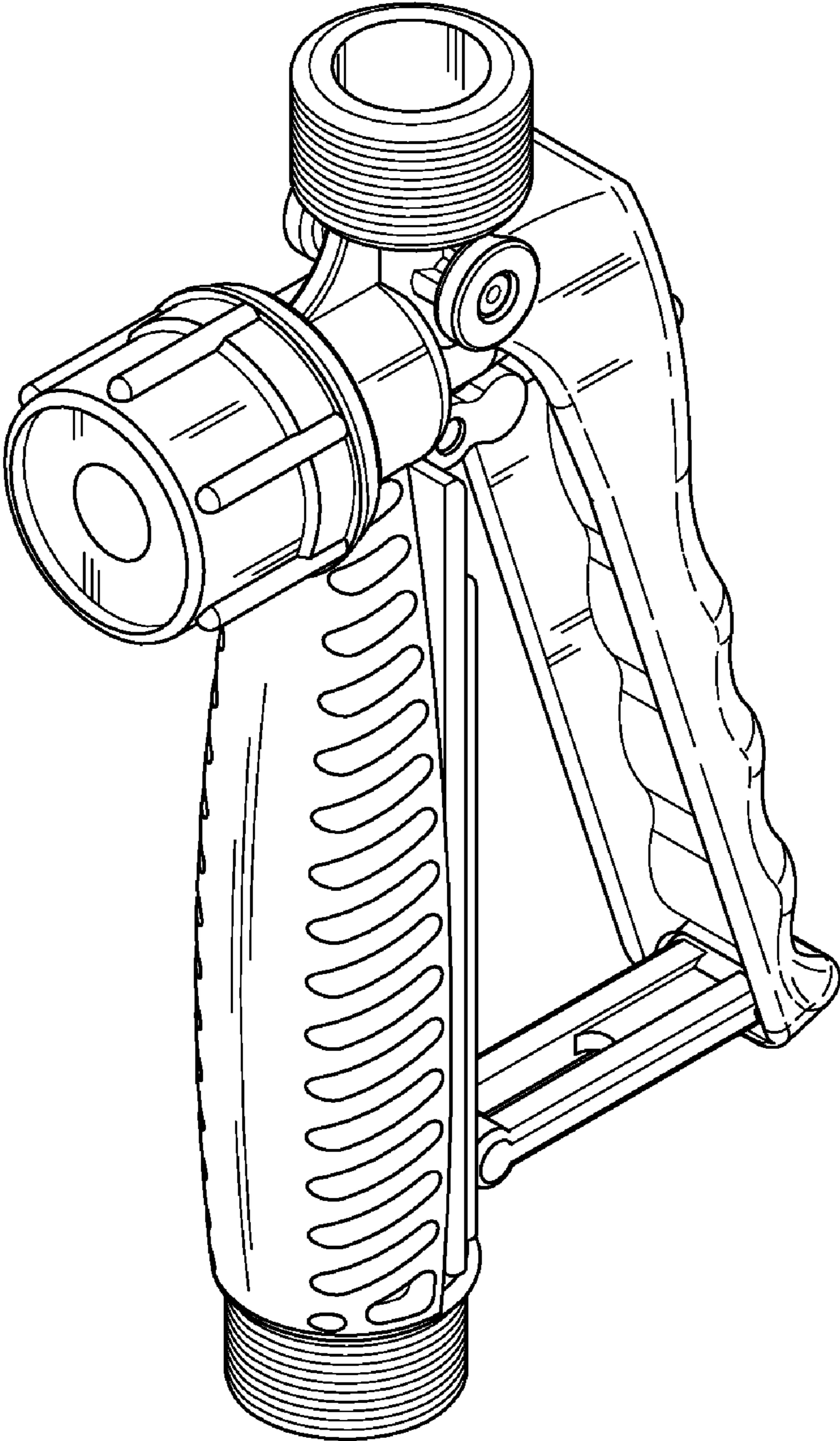


FIG. 1

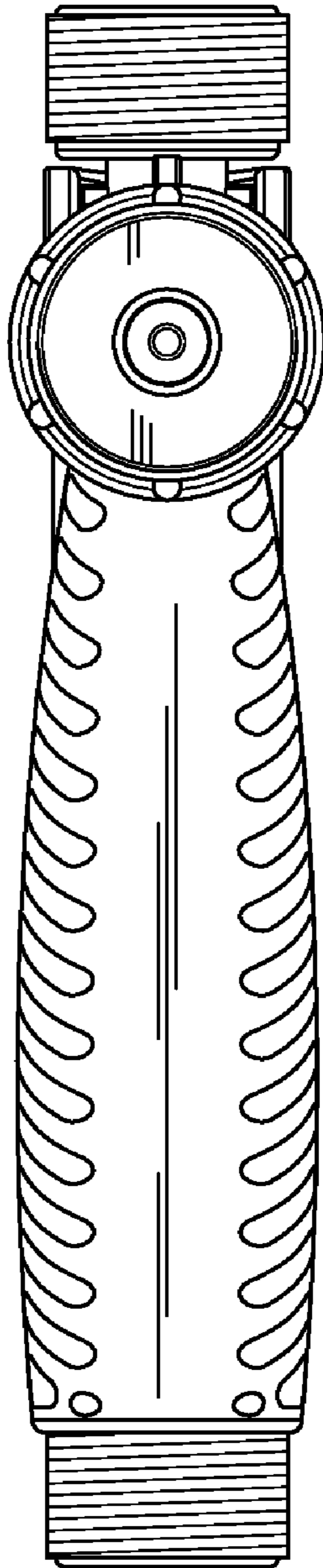


FIG. 2

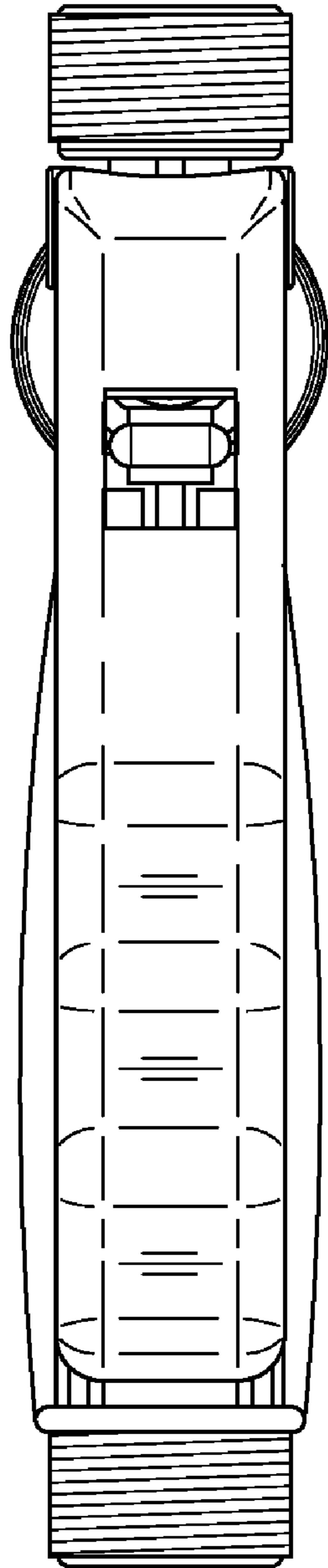


FIG. 3

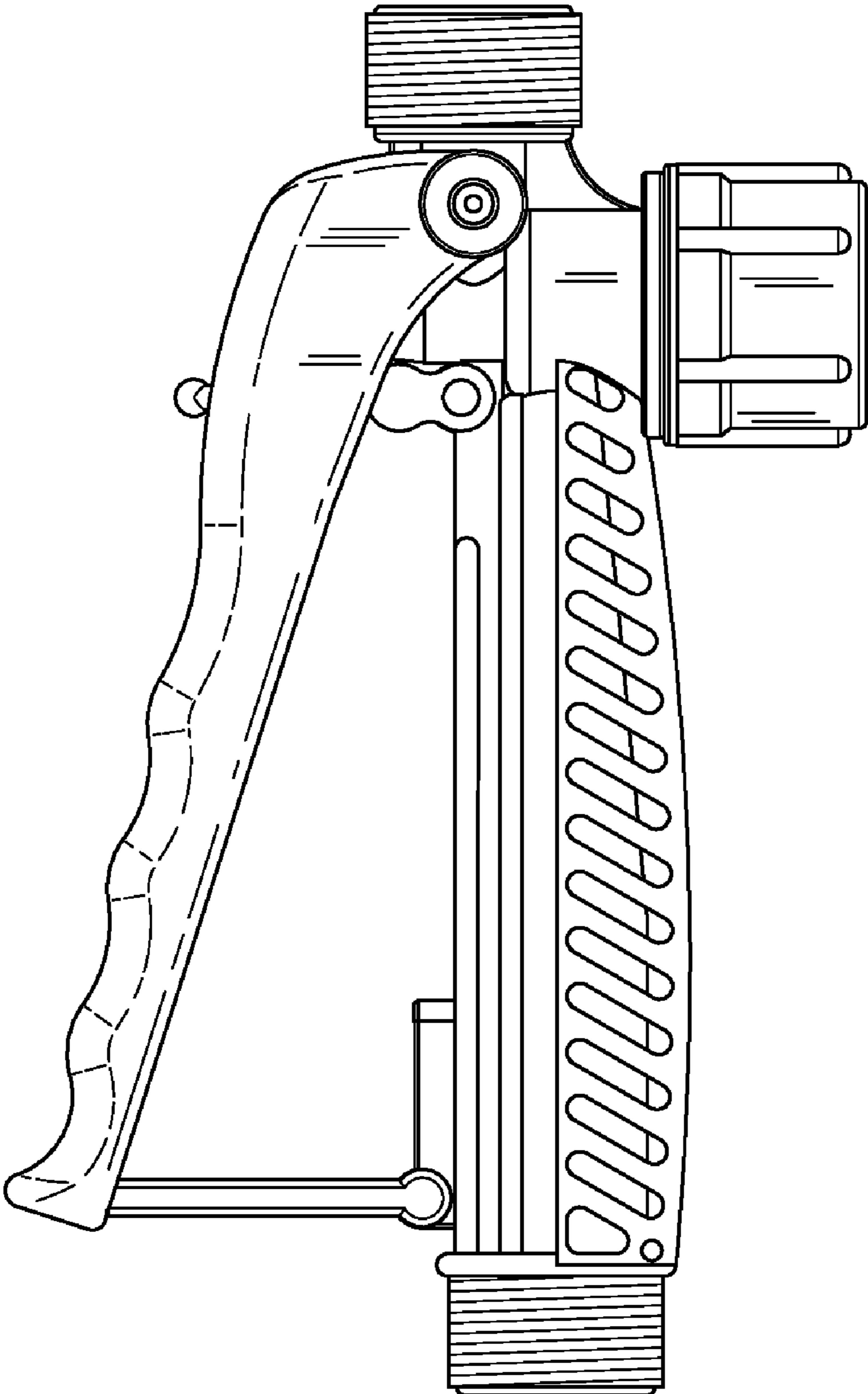


FIG. 4

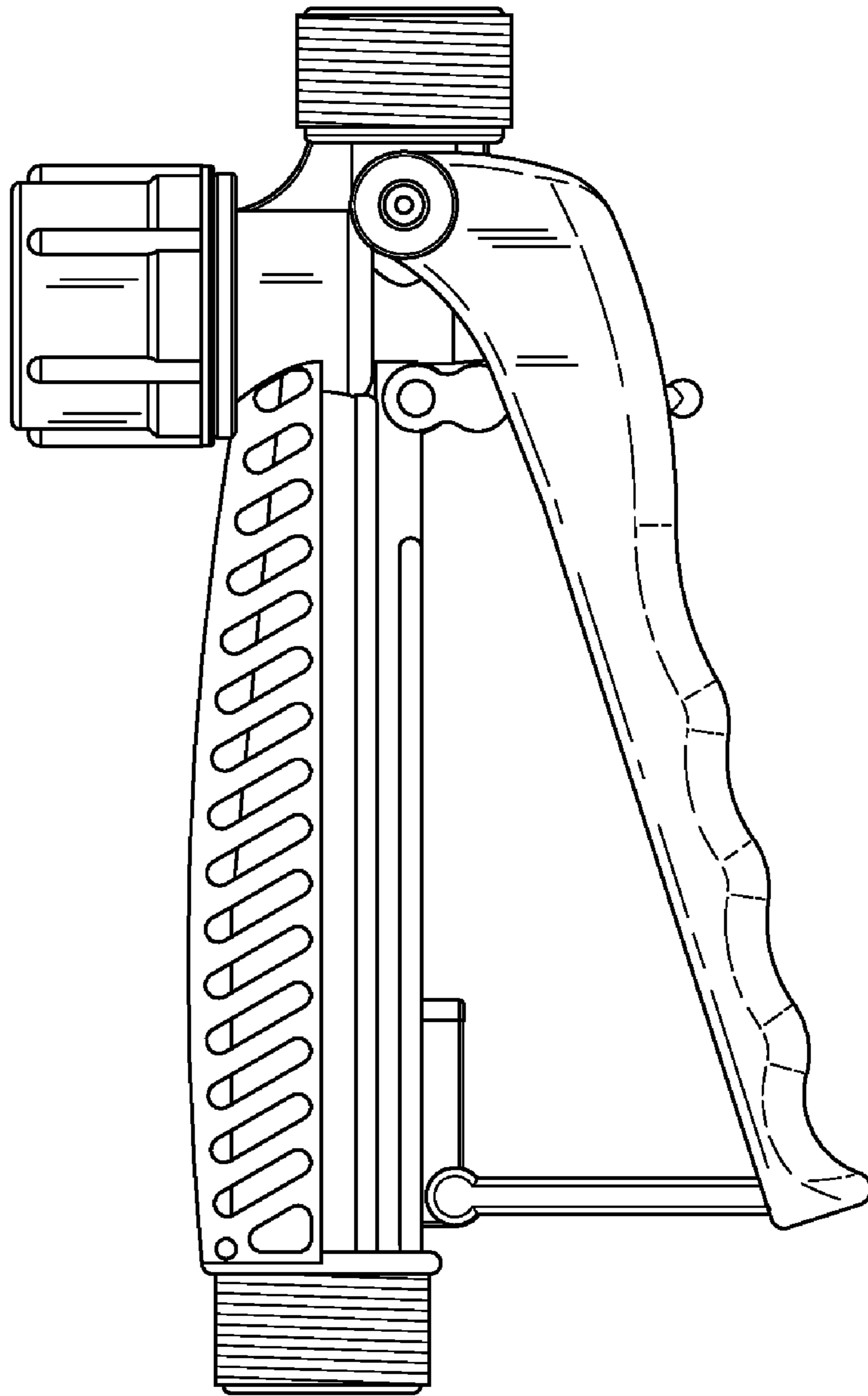


FIG. 5

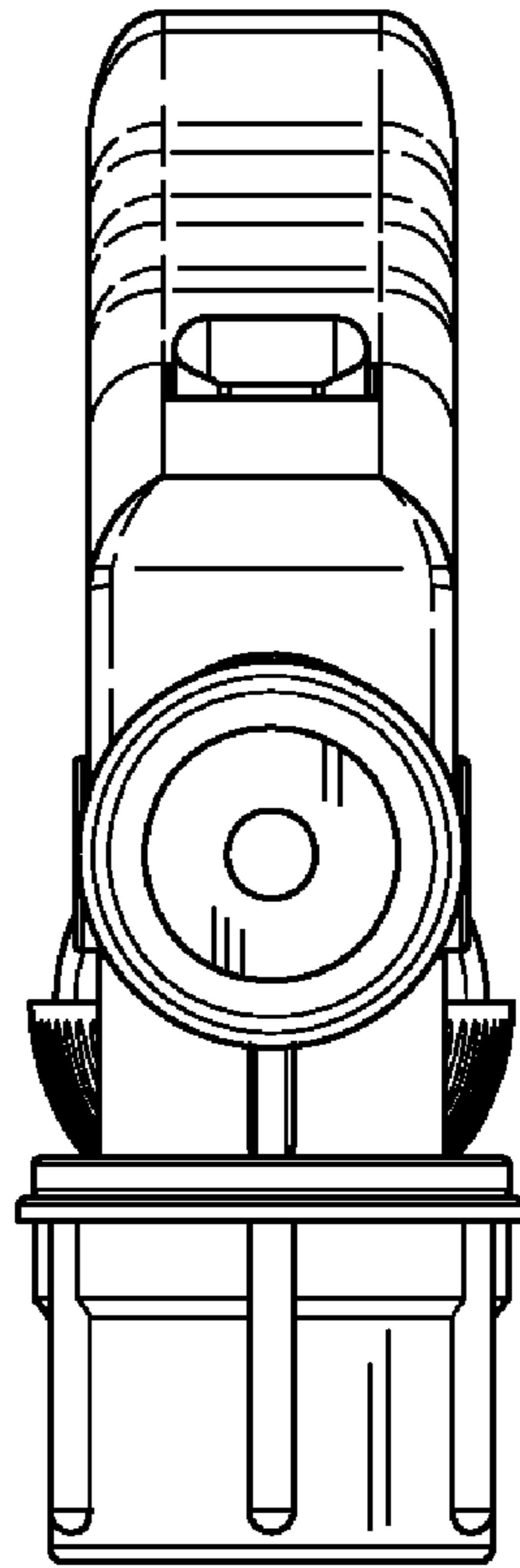


FIG. 6

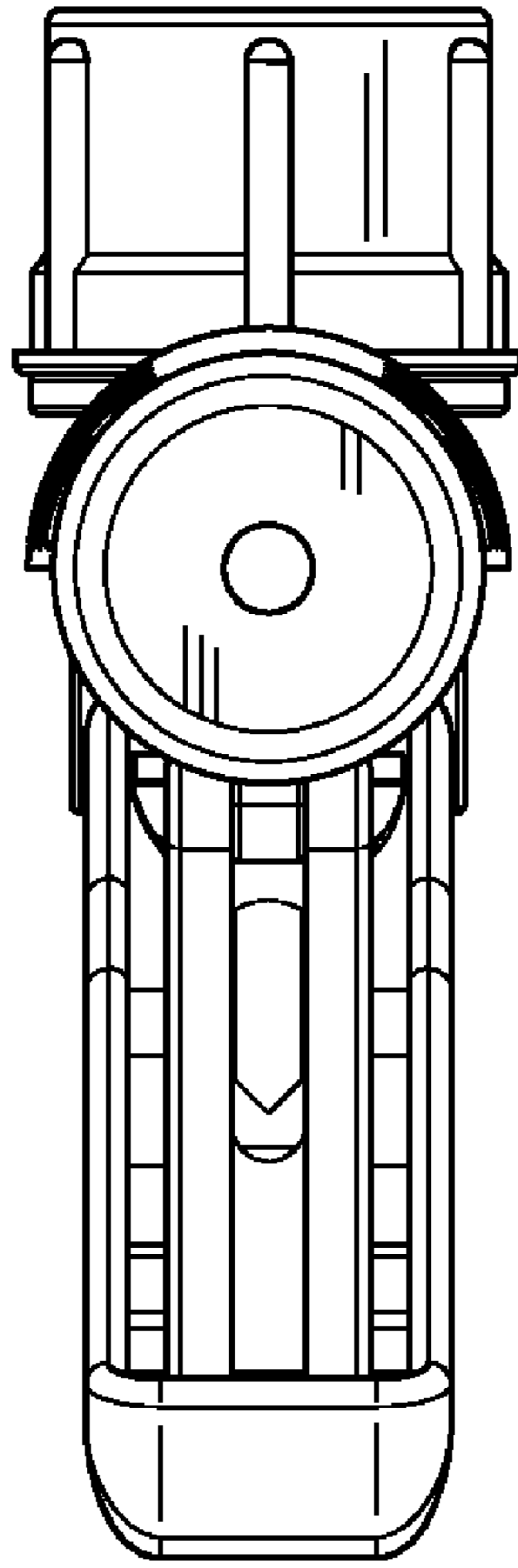


FIG. 7

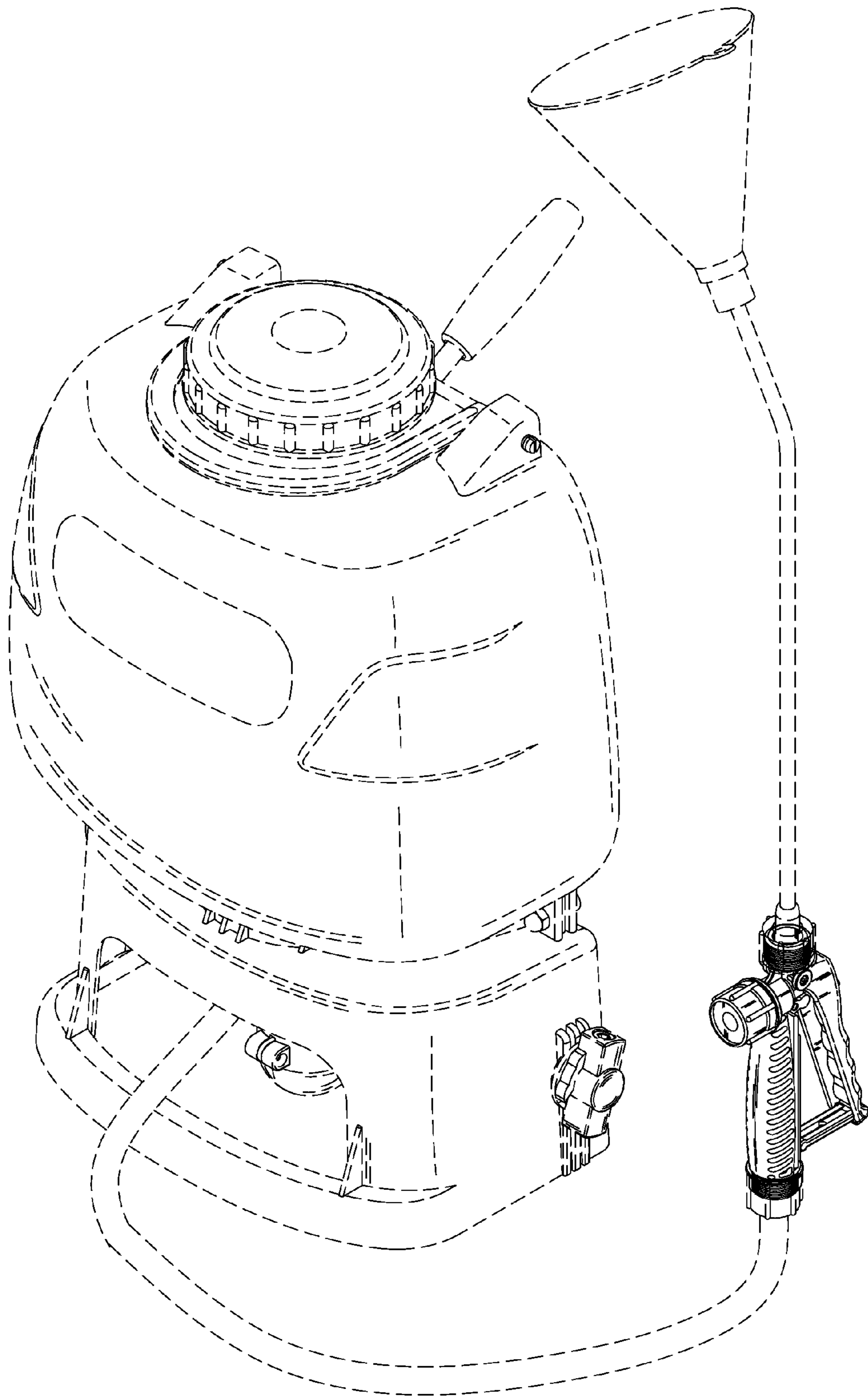


FIG. 8