



US00D639388S

(12) **United States Design Patent**
Plantz et al.

(10) **Patent No.:** **US D639,388 S**
(45) **Date of Patent:** **** Jun. 7, 2011**

(54) **SPRAYER**
(75) Inventors: **Jeffrey S. Plantz**, Waterville, NY (US);
George A. Mitchell, Utica, NY (US)
(73) Assignee: **The Fountainhead Group, Inc.**, New
York Mills, NY (US)

D418,201 S * 12/1999 Shanklin et al. D23/225
6,113,003 A * 9/2000 Condon 239/142
D516,167 S * 2/2006 Leer et al. D23/225
D542,373 S * 5/2007 Cooper D23/225
7,631,818 B2 * 12/2009 Wu 239/302
D607,968 S * 1/2010 Wojciechowski et al. ... D23/213

* cited by examiner

(**) Term: **14 Years**

Primary Examiner — Robin Webster

(21) Appl. No.: **29/377,671**

(74) *Attorney, Agent, or Firm* — George R. McGuire; Bond
Schoeneck & King

(22) Filed: **Oct. 25, 2010**

(57) **CLAIM**

(51) **LOC (9) Cl.** **23-01**

The ornamental design for sprayer, as shown and described.

(52) **U.S. Cl.** **D23/225**

(58) **Field of Classification Search** D23/213,
D23/223, 225, 226; 239/332, 333, 337, 302,
239/308, 316, DIG. 14, 152, 154
See application file for complete search history.

DESCRIPTION

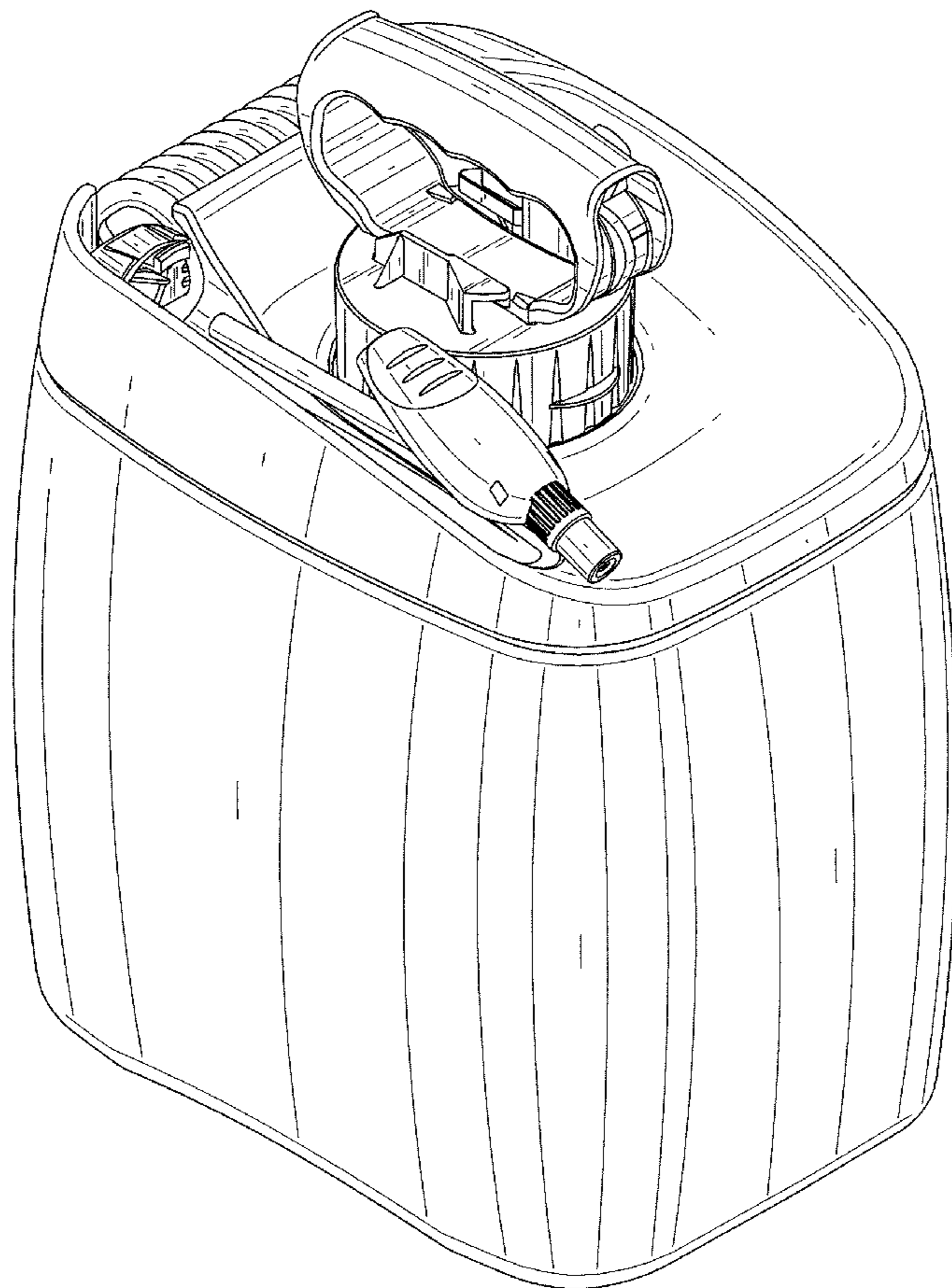
FIG. 1 is a perspective view of a new and ornamental design
for a sprayer;
FIG. 2 is a first side elevation view thereof;
FIG. 3 is a second side elevation view thereof;
FIG. 4 is a rear elevation view thereof;
FIG. 5 is a front elevation view thereof;
FIG. 6 is a top plan view thereof; and,
FIG. 7 is a bottom plan view thereof.

(56) **References Cited**

U.S. PATENT DOCUMENTS

D231,783 S * 6/1974 Morehouse et al. D23/225
4,925,105 A * 5/1990 Lin 239/154
D373,172 S * 8/1996 Anderson et al. D23/225
5,755,361 A * 5/1998 Restive et al. 222/209

1 Claim, 7 Drawing Sheets



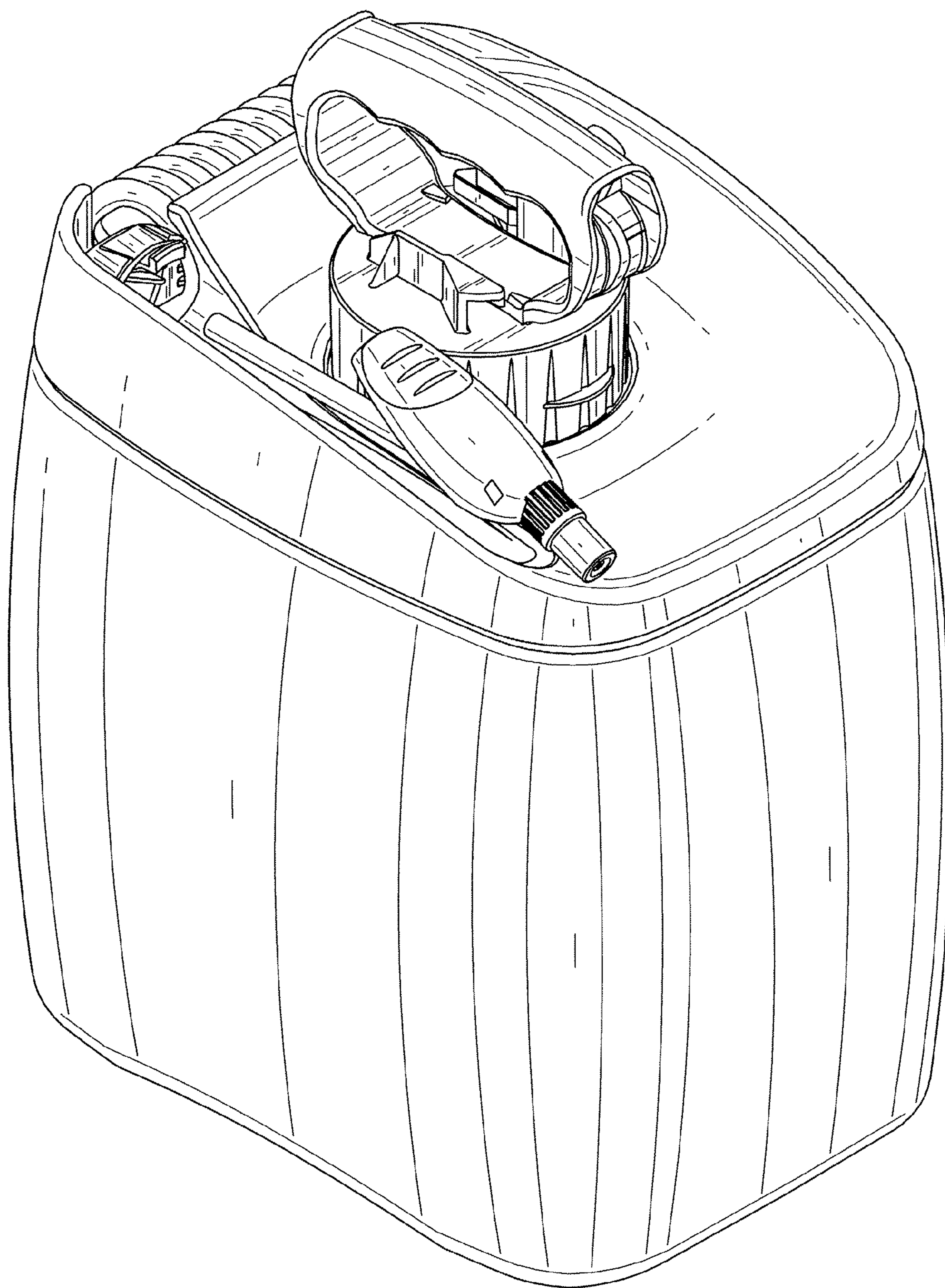


FIG. 1

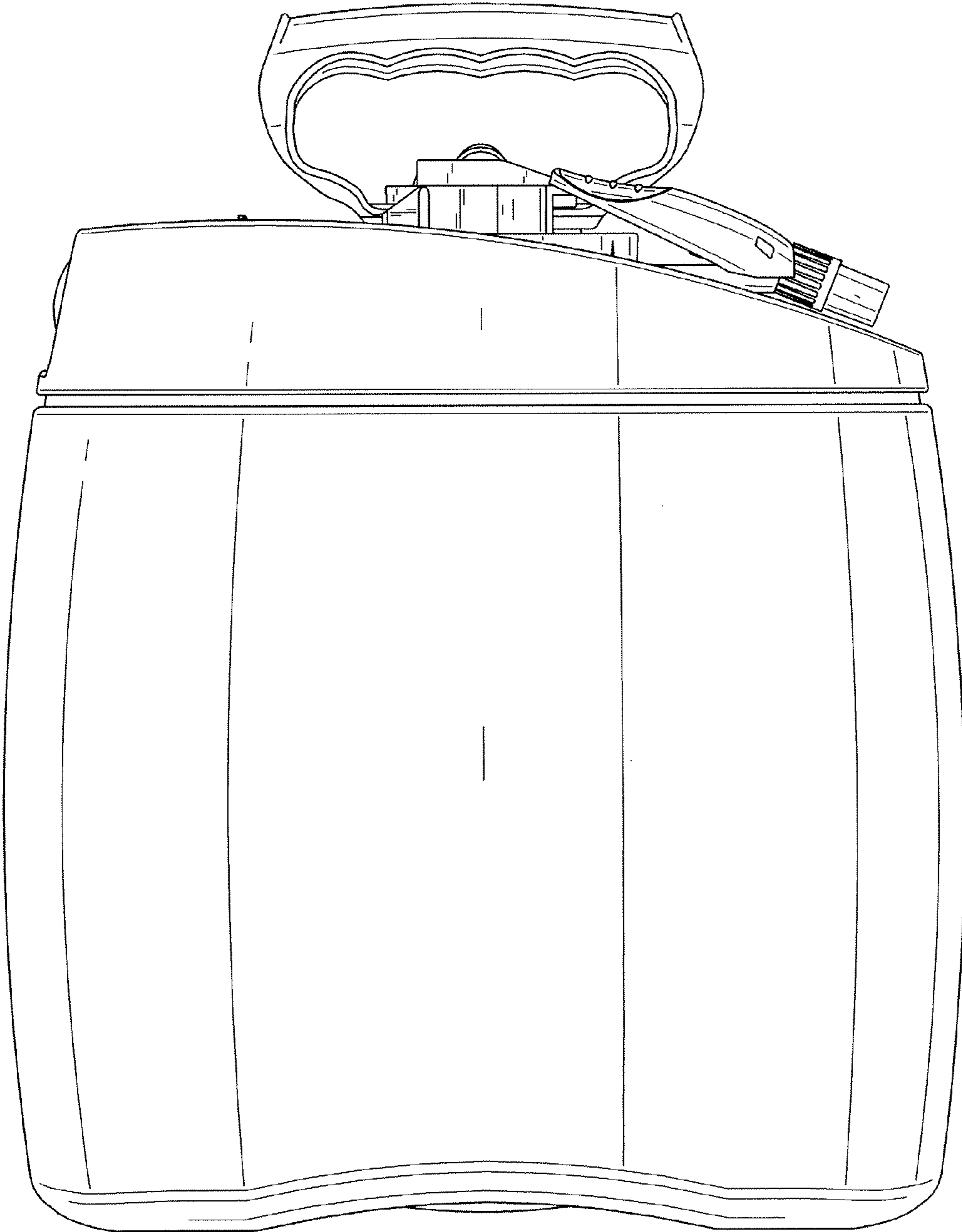


FIG. 2

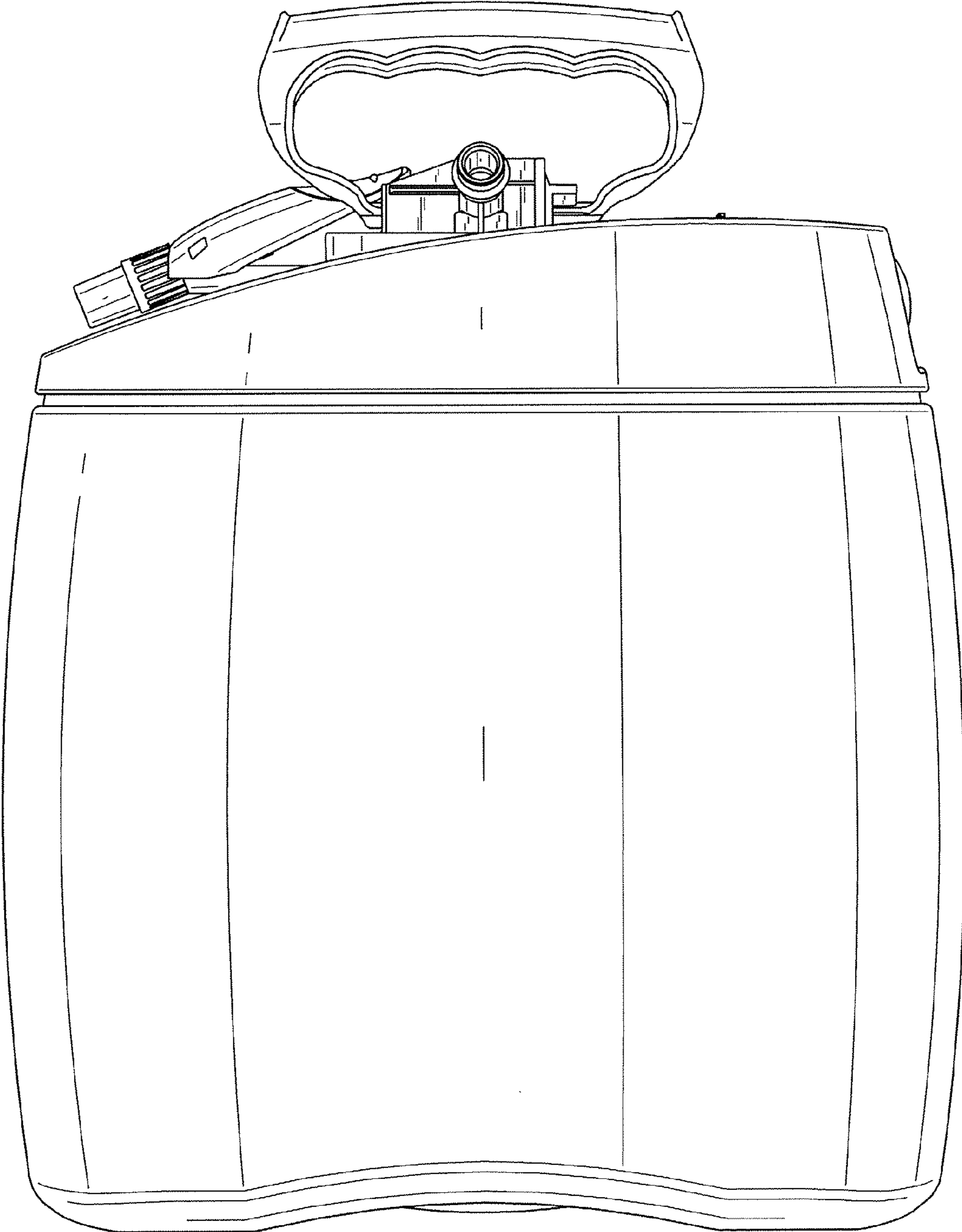


FIG. 3

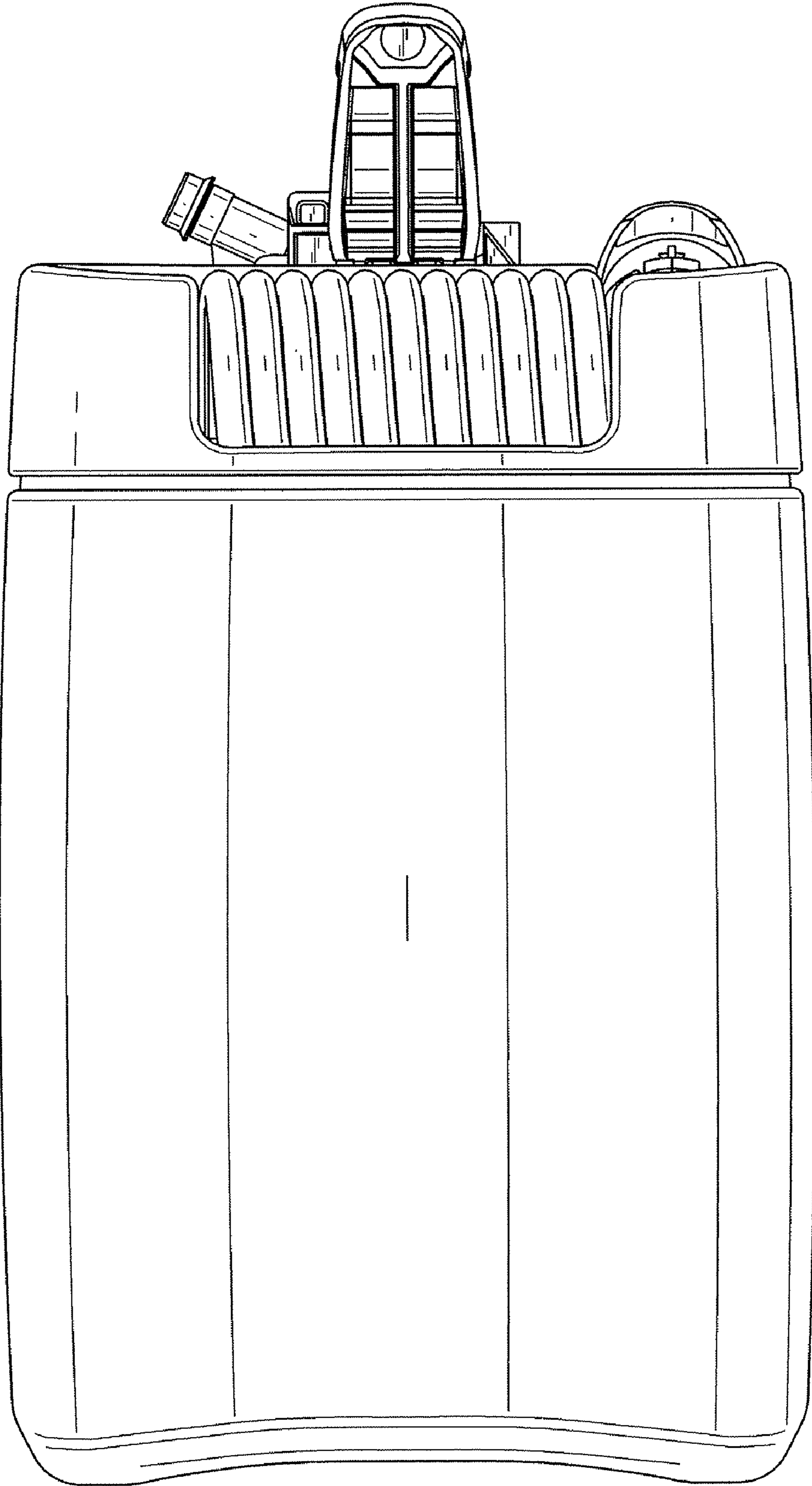


FIG. 4

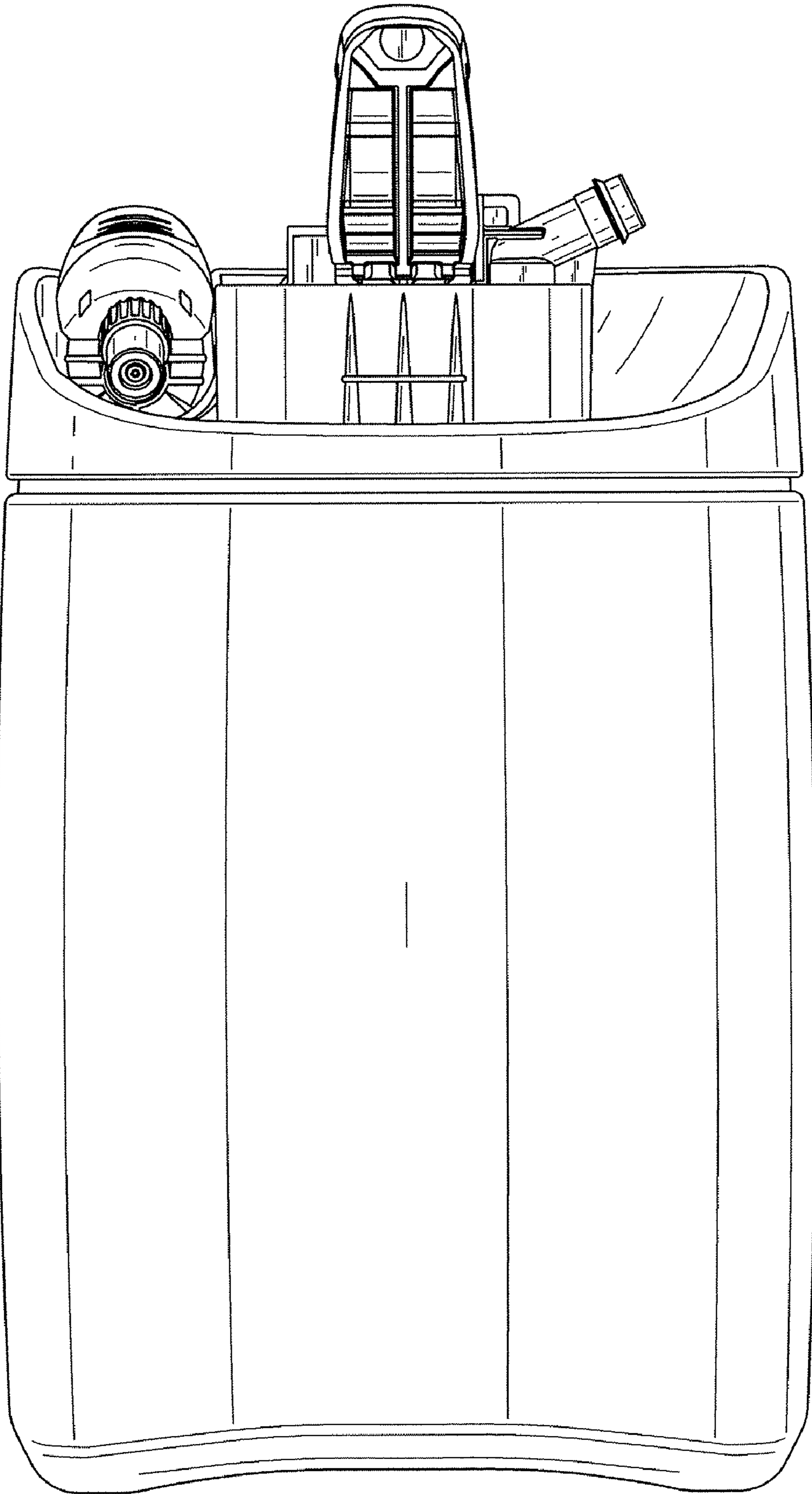


FIG. 5

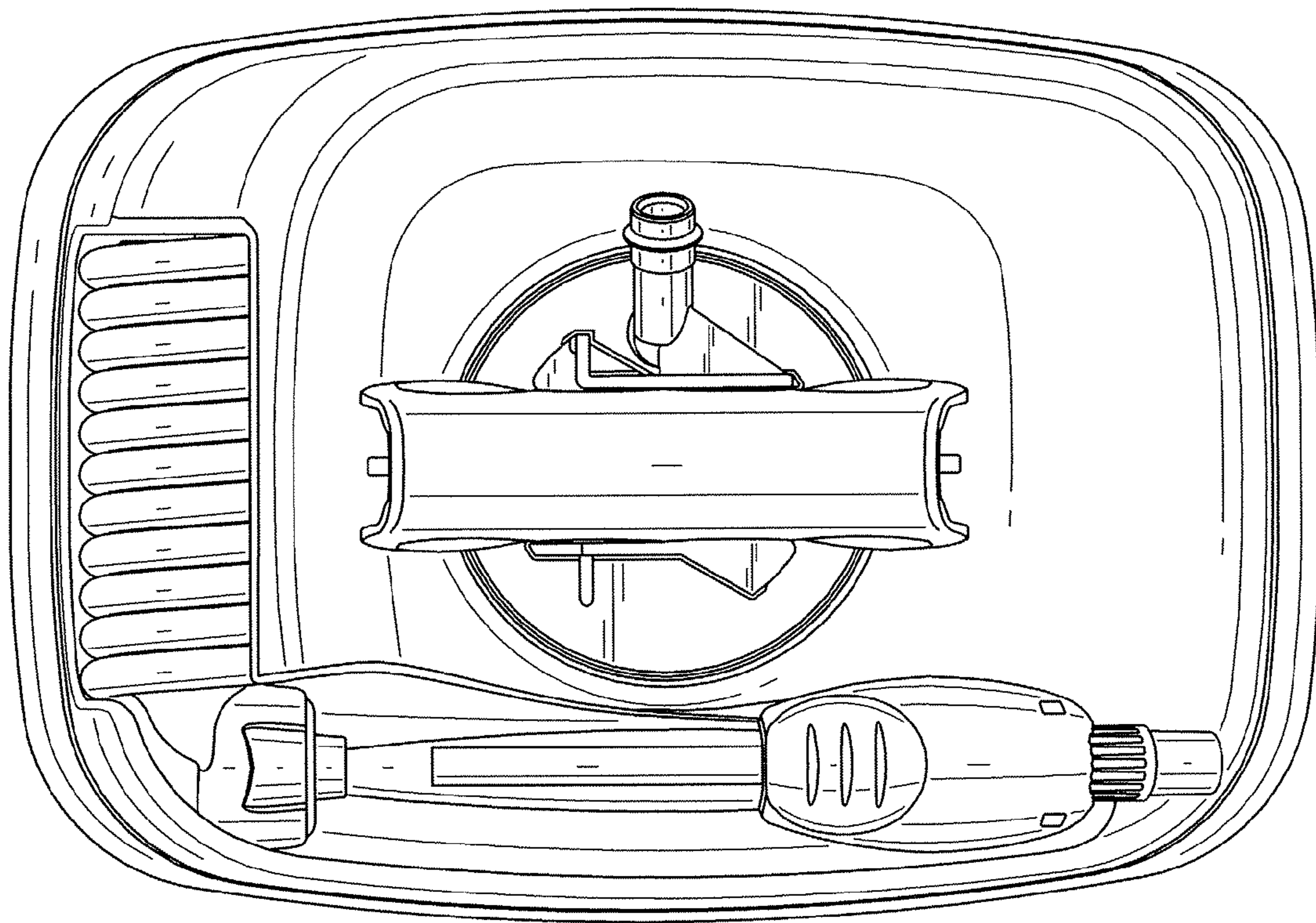


FIG. 6

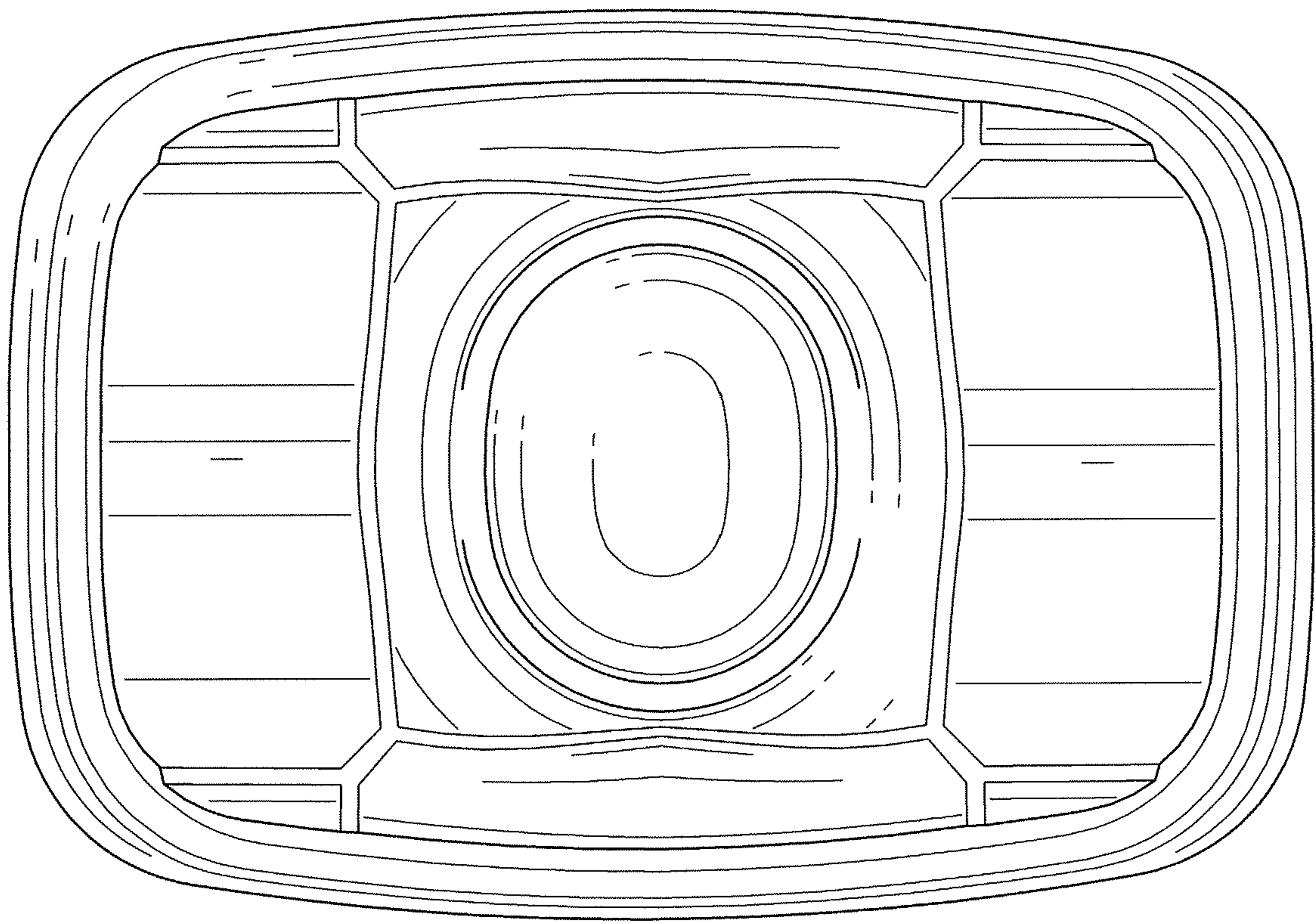


FIG. 7