



US00D639387S

(12) **United States Design Patent**  
**Martin**

(10) **Patent No.:** **US D639,387 S**  
(45) **Date of Patent:** **\*\* Jun. 7, 2011**

(54) **PAINT SPRAY SYSTEM**

(75) Inventor: **Juan Ramón Torres Martin**, Barcelona (ES)

(73) Assignee: **Actervis GmbH**, Baar/Zug (CH)

(\*\*) Term: **14 Years**

(21) Appl. No.: **29/376,748**

(22) Filed: **Oct. 12, 2010**

(30) **Foreign Application Priority Data**

Apr. 12, 2010	(EM)	001208060-0001
Apr. 12, 2010	(EM)	001208060-0002
Apr. 12, 2010	(EM)	001208060-0003
Apr. 12, 2010	(EM)	001208060-0004
Apr. 12, 2010	(EM)	001208060-0005

(51) **LOC (9) Cl.** ..... **23-01**

(52) **U.S. Cl.** ..... **D23/225**

(58) **Field of Classification Search** ..... D23/213, D23/223, 225, 226; 239/332, 333, 337, 302, 239/308, 316, DIG. 14, 152, 154  
See application file for complete search history.

(56) **References Cited**

**U.S. PATENT DOCUMENTS**

4,756,481 A *	7/1988	Leuenberger	.....	239/332
D336,127 S *	6/1993	Slaybaugh	.....	D23/225

5,217,168 A	6/1993	Svendsen	
5,226,600 A	7/1993	Frank	
5,655,714 A	8/1997	Kieffer et al.	
7,244,464 B2	7/2007	Robens et al.	
7,377,452 B2	5/2008	Jones et al.	
D623,722 S *	9/2010	Tinius	..... D23/225

\* cited by examiner

*Primary Examiner* — Robin Webster

(74) *Attorney, Agent, or Firm* — Larkin Hoffman Daly & Lindgren Ltd.; Thomas J. Oppold

(57) **CLAIM**

The ornamental design for a paint spray system, as shown and described.

**DESCRIPTION**

FIG. 1 is a perspective view of the paint spray system of the present design.

FIG. 2 is a front elevation view of the paint spray system of FIG. 1.

FIG. 3 is a rear elevation view of the paint spray system of FIG. 1.

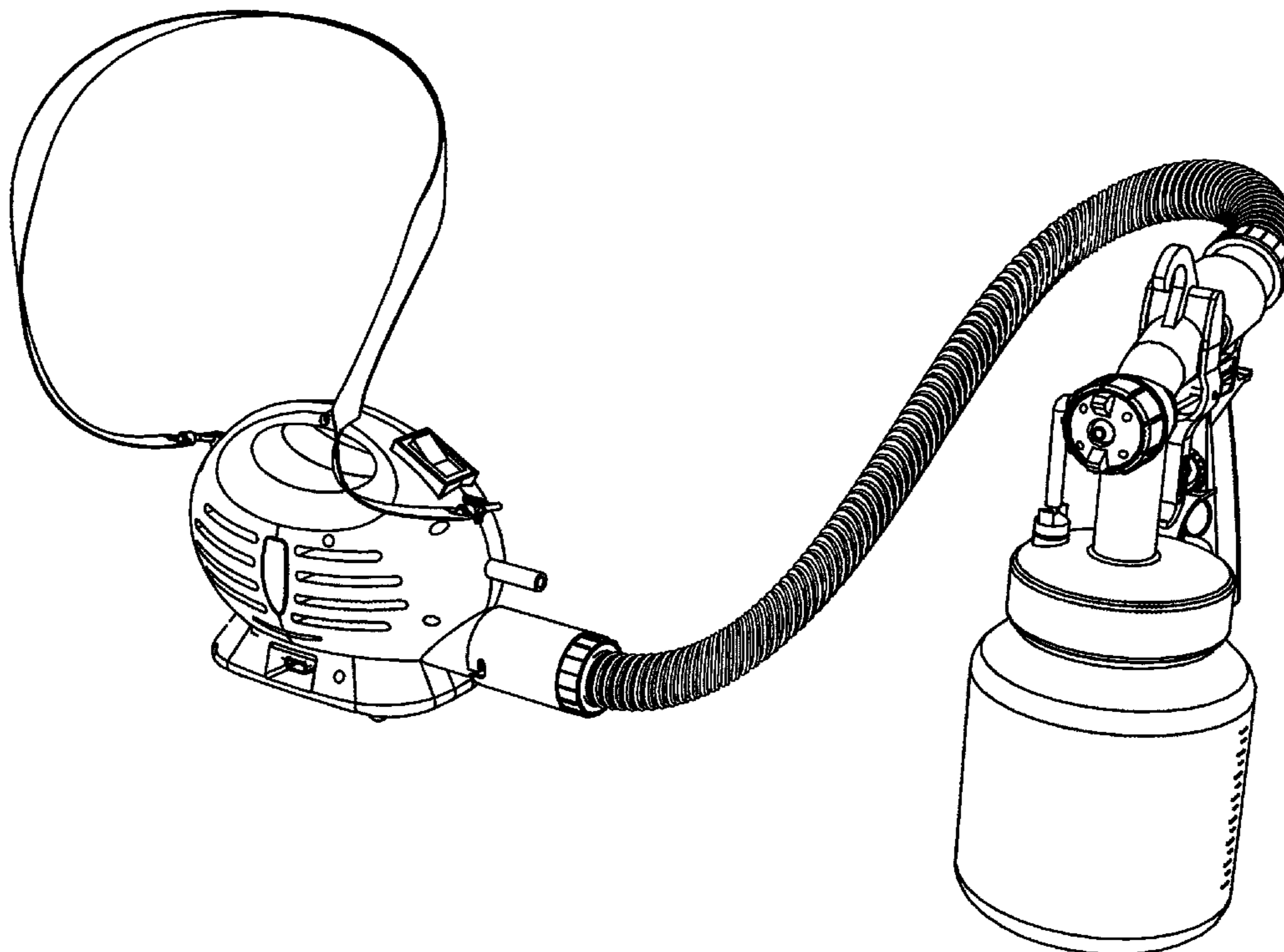
FIG. 4 is a right side elevation view of the paint spray system of FIG. 1.

FIG. 5 is a left side elevation view of the paint spray system of FIG. 1.

FIG. 6 is a top plan view of the paint spray system of FIG. 1; and,

FIG. 7 is a bottom plan view of the paint spray system of FIG. 1.

**1 Claim, 6 Drawing Sheets**



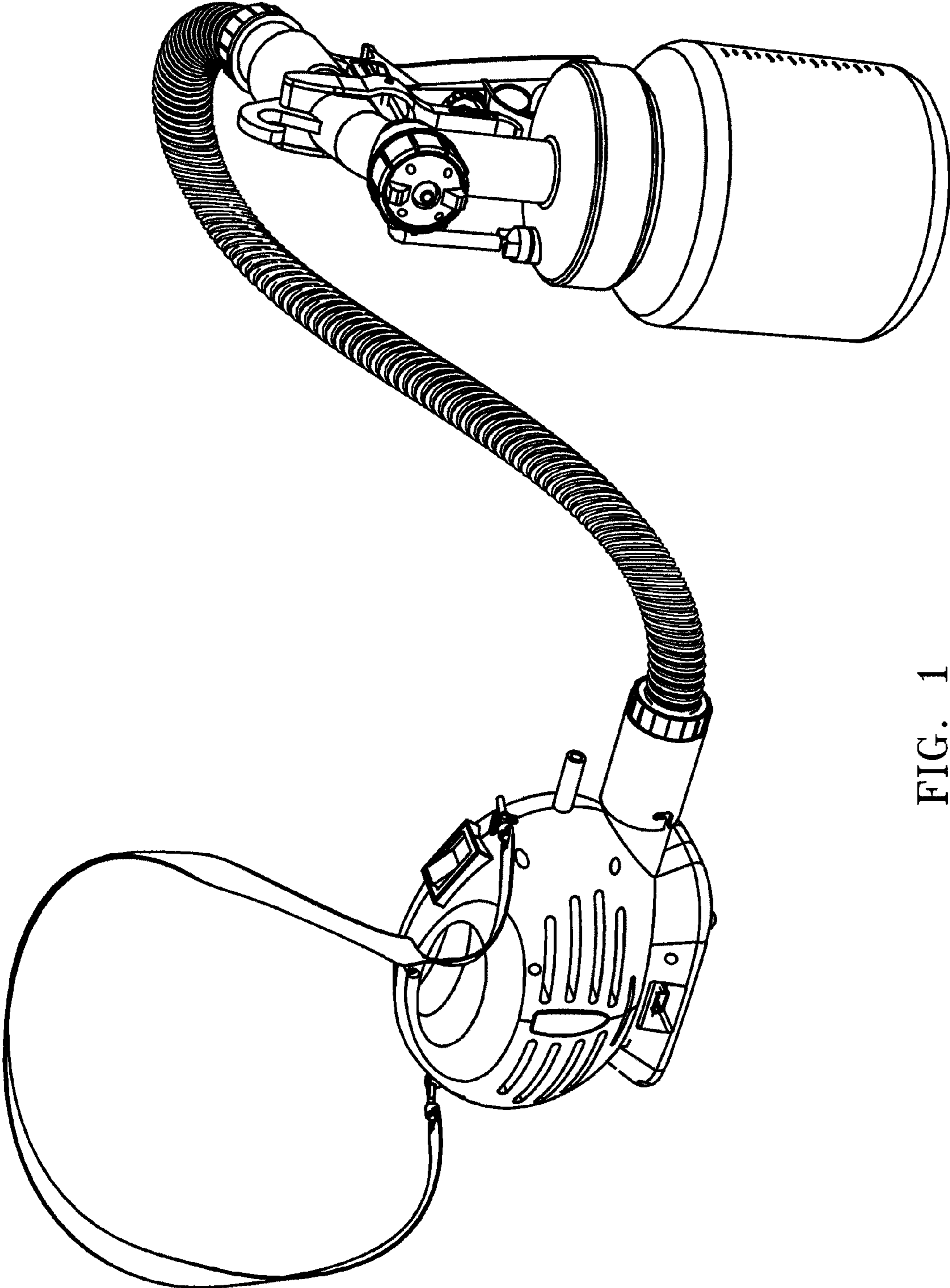


FIG. 1

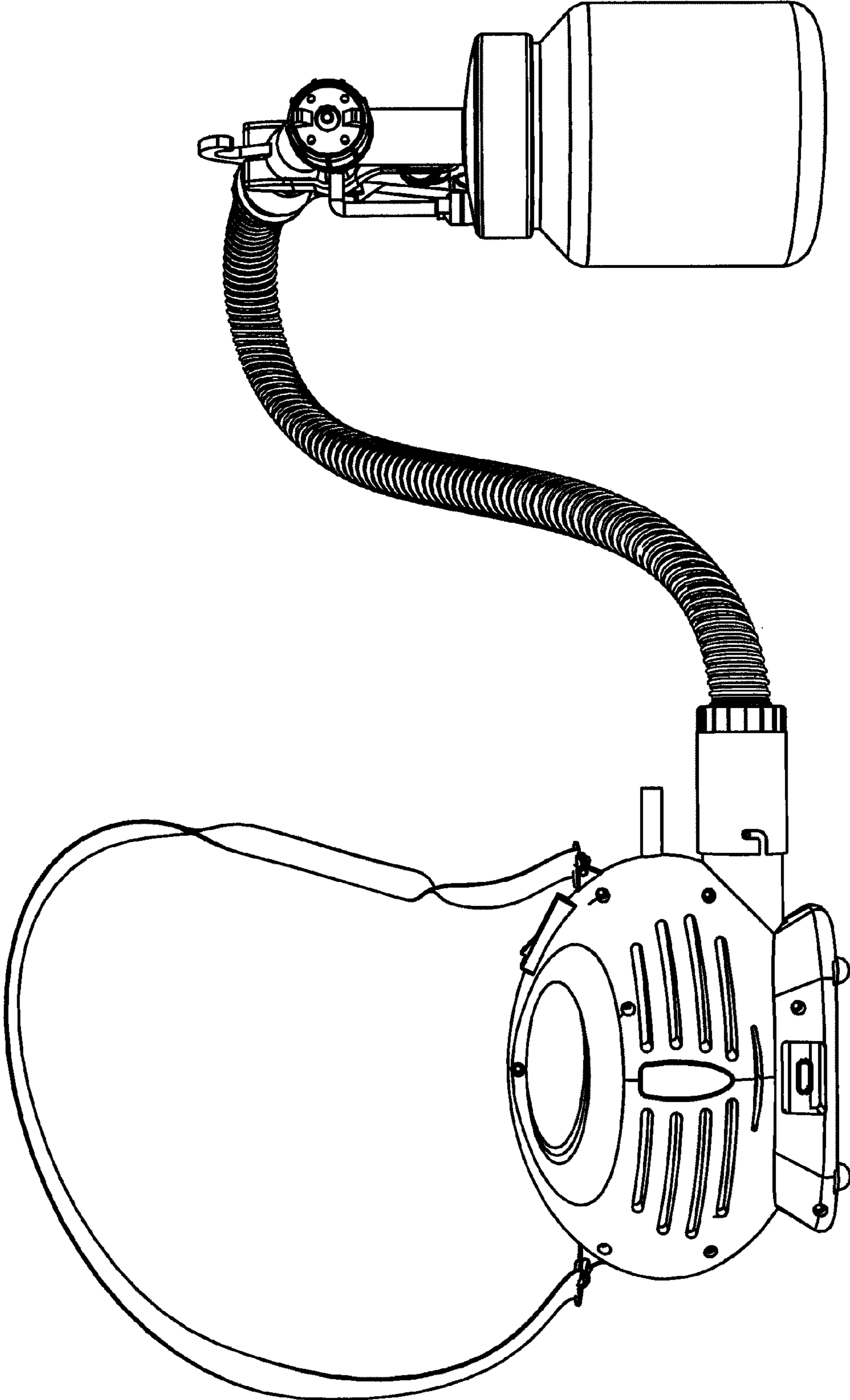


FIG. 2



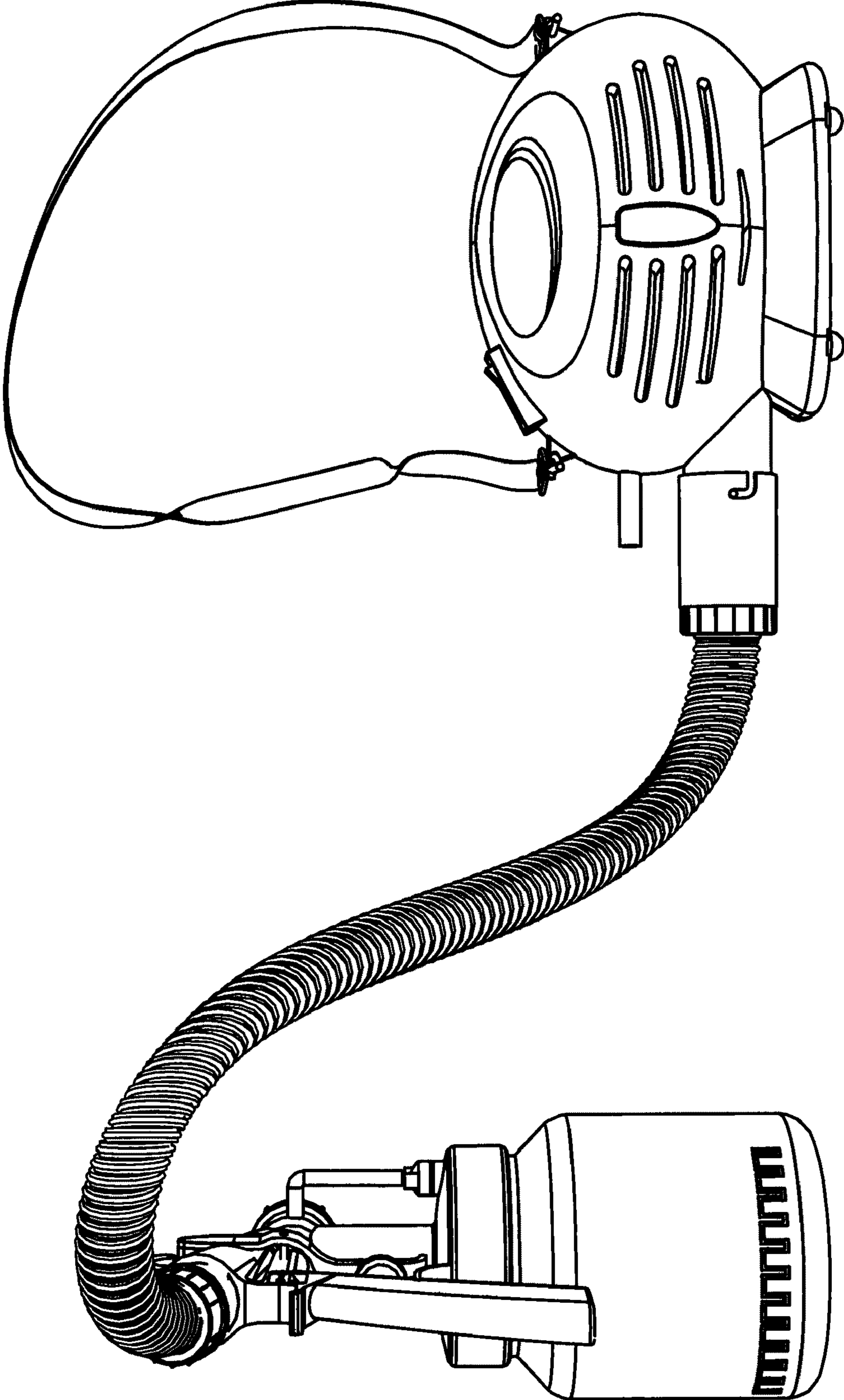


FIG. 3

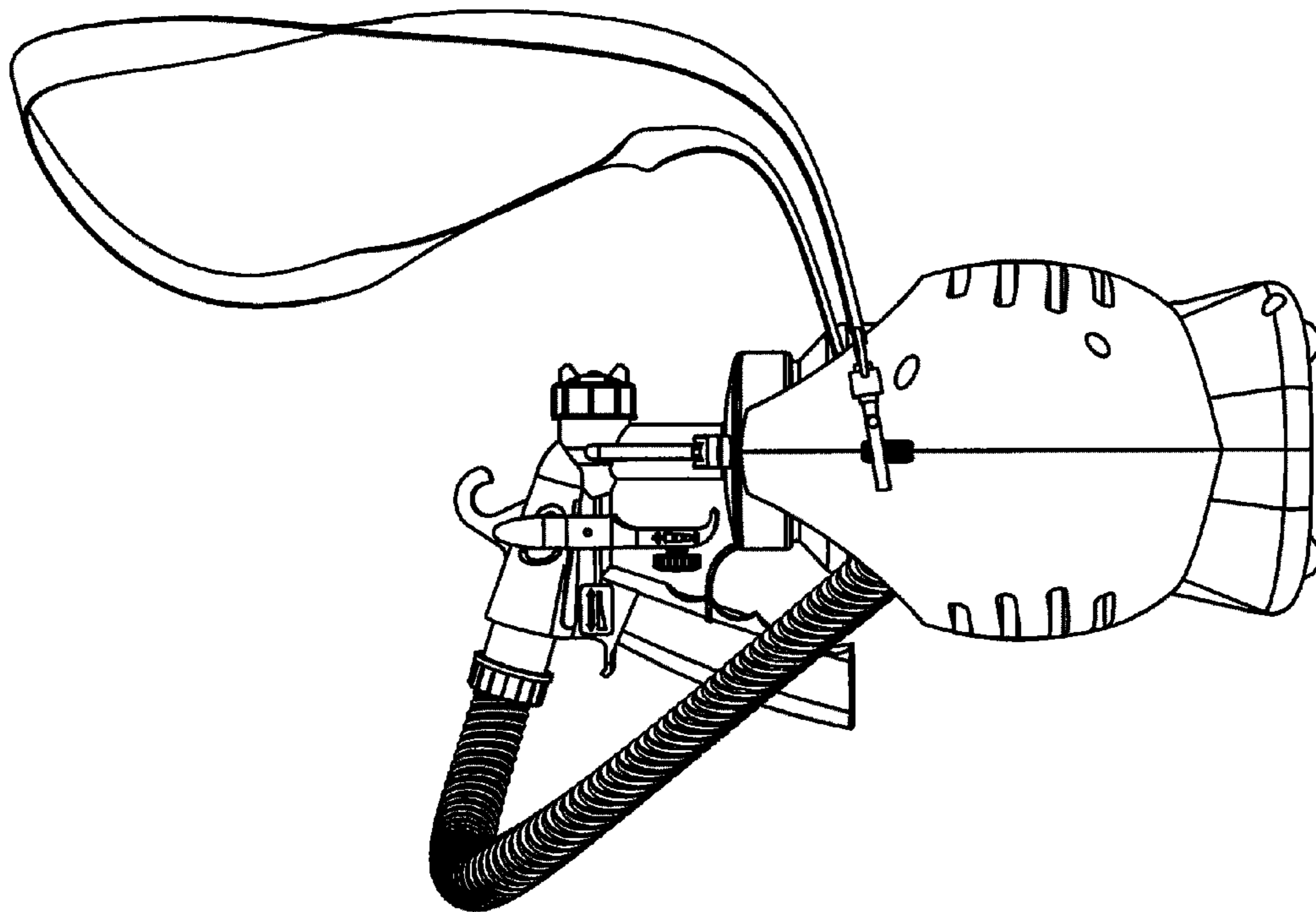


FIG. 5

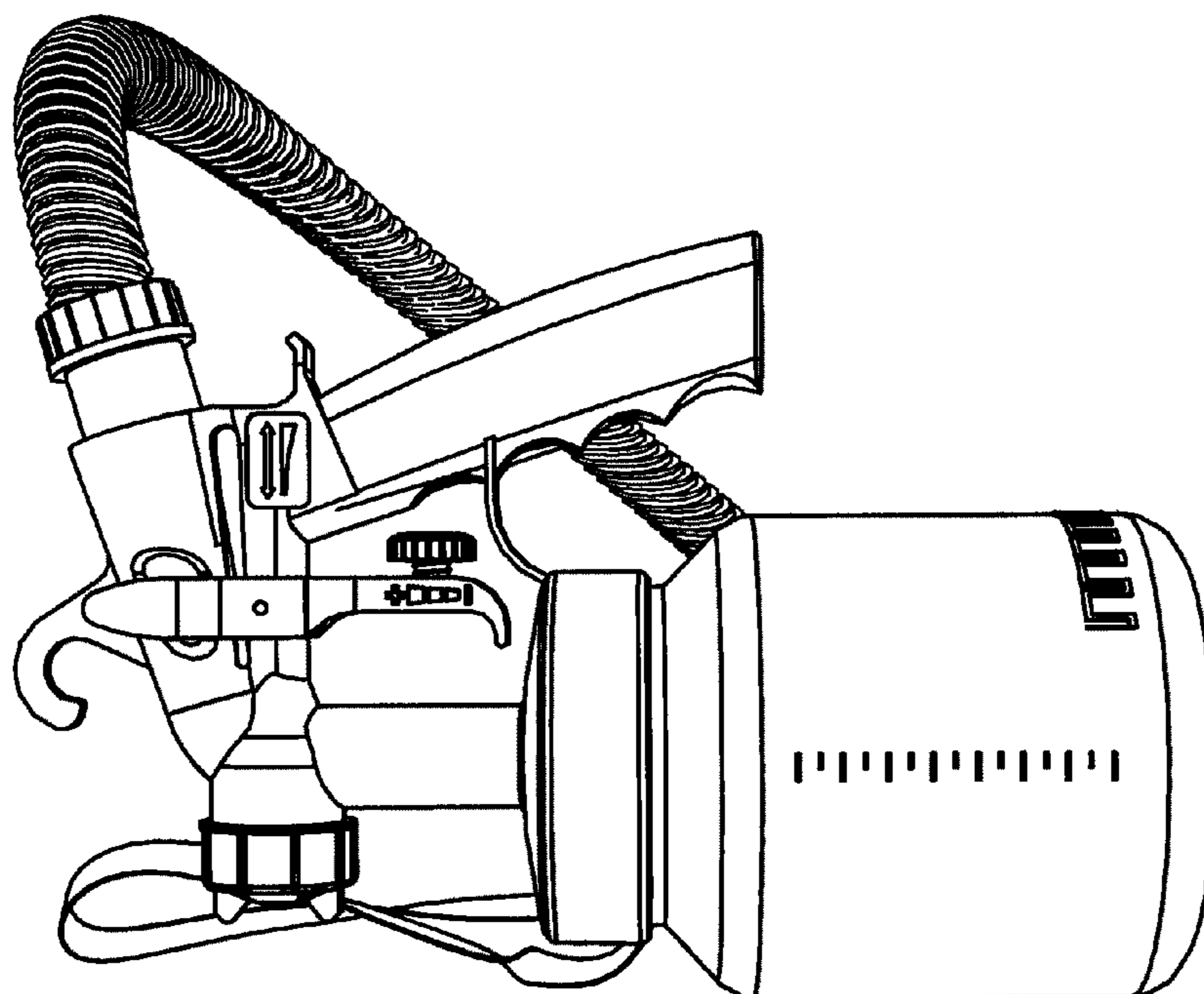


FIG. 4

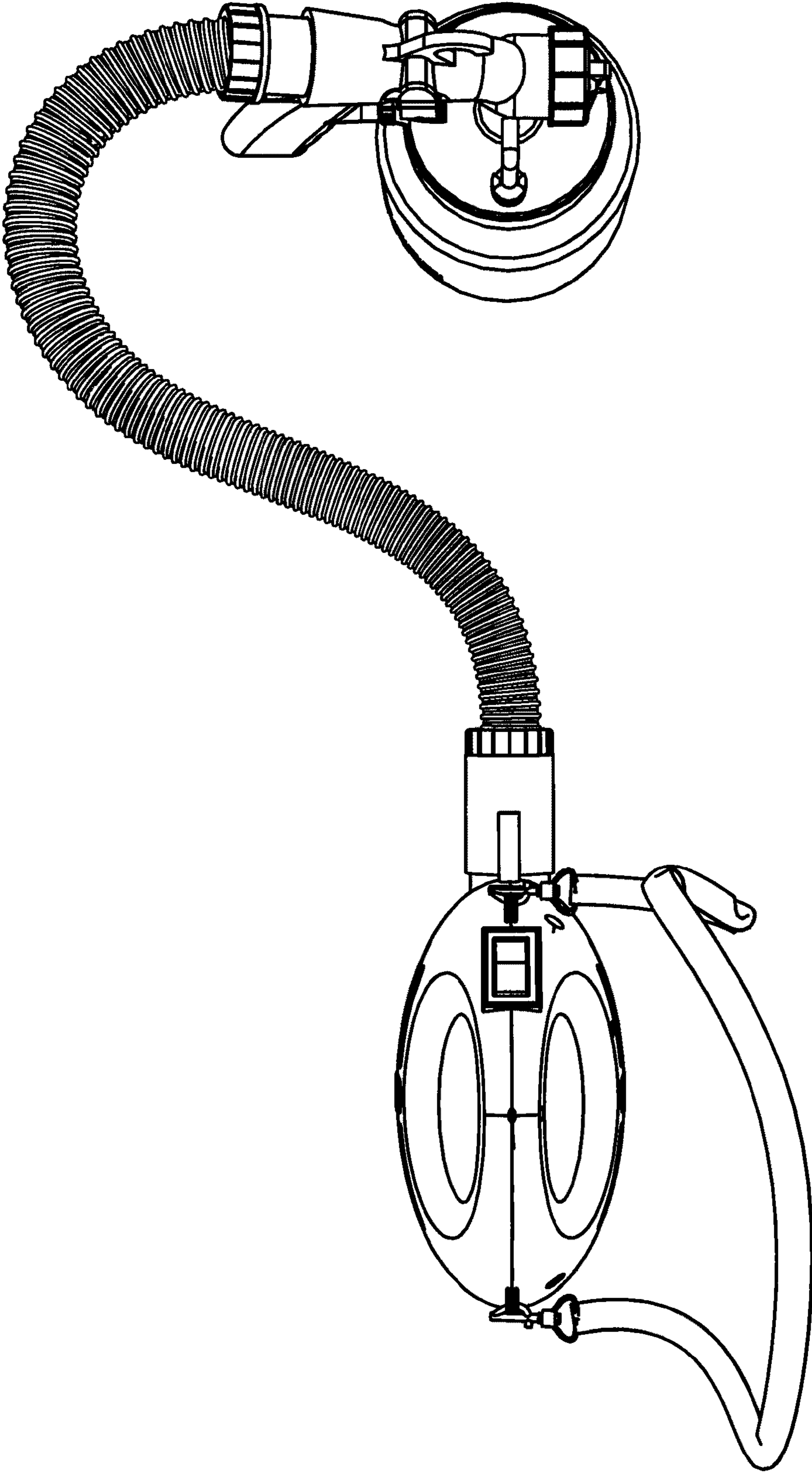


FIG. 6

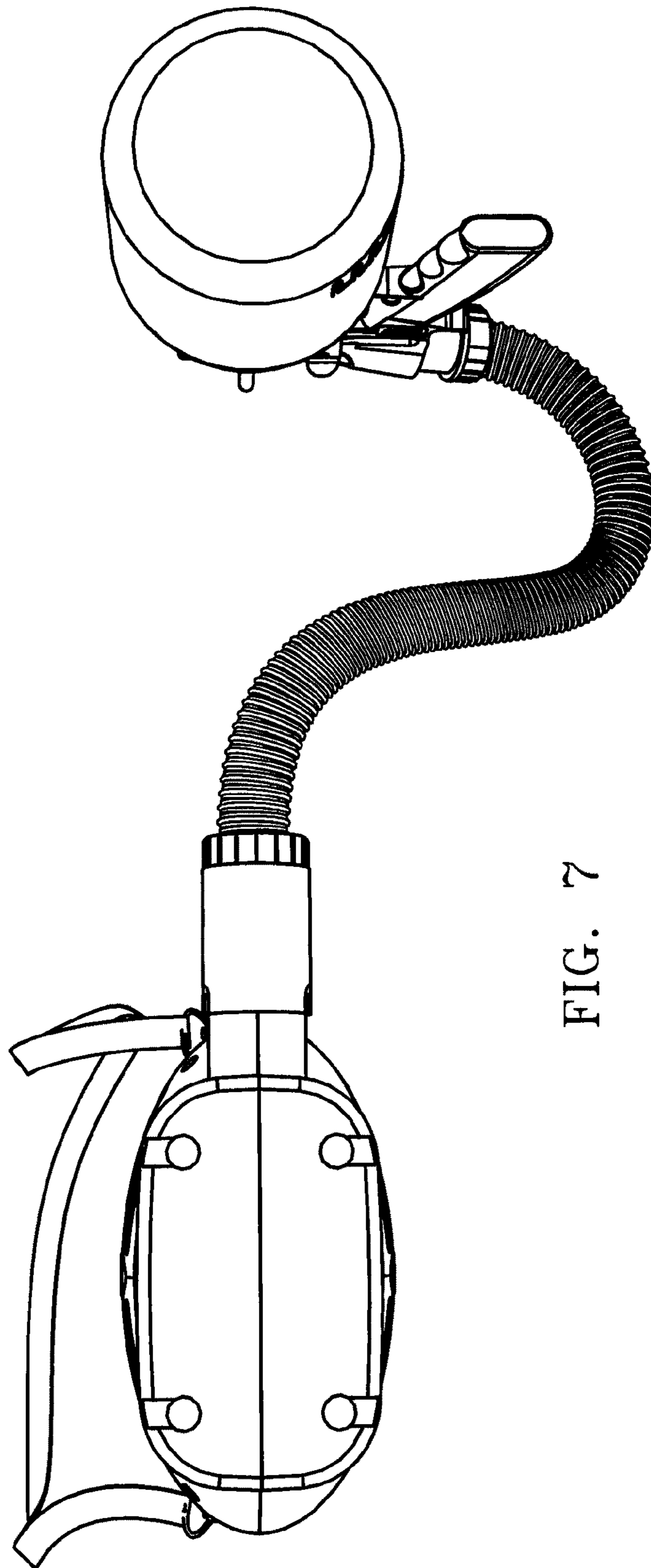


FIG. 7