



US00D639386S

(12) **United States Design Patent**
Cummings et al.

(10) **Patent No.:** **US D639,386 S**
(45) **Date of Patent:** **** Jun. 7, 2011**

(54) **SHOWERHEAD**

(75) Inventors: **Stephen John Cummings**, Newport (AU); **David Giorgio**, Five Dock (AU)

(73) Assignee: **Caroma Industries Limited**, Brisbane, Queensland (AU)

(**) Term: **14 Years**

(21) Appl. No.: **29/376,937**

(22) Filed: **Oct. 14, 2010**

(30) **Foreign Application Priority Data**

May 28, 2010 (AU) 201012174

(51) **LOC (9) Cl.** **23-01**

(52) **U.S. Cl.** **D23/213**

(58) **Field of Classification Search** D23/213,
D23/229-230; 239/282-283; 4/615

See application file for complete search history.

(56) **References Cited**

U.S. PATENT DOCUMENTS

D263,867 S * 4/1982 Thompson D23/213
D333,338 S * 2/1993 Klose D23/213
D545,403 S * 6/2007 Kemp D23/255

D555,762 S * 11/2007 Jaeb D23/213
* cited by examiner

Primary Examiner — Robin Webster

(74) *Attorney, Agent, or Firm* — Wood, Phillips, Katz, Clark & Mortimer

(57) **CLAIM**

The ornamental design for a showerhead, as shown and described.

DESCRIPTION

FIG. 1 is a front perspective view of a showerhead showing our new design;

FIG. 2 is a rear perspective view thereof;

FIG. 3 is a top, plan view thereof;

FIG. 4 is a left side elevational view thereof, the right side, front, and rear elevational views thereof being identical with the left side elevational view;

FIG. 5 is a bottom, plan view thereof;

FIG. 6 is a front perspective view of an alternate embodiment thereof;

FIG. 7 is a rear perspective view thereof;

FIG. 8 is a top, plan view thereof;

FIG. 9 is a left side elevational view thereof, the right side, front, and rear elevational views thereof being identical; and, FIG. 10 is a bottom, plan view thereof.

The broken lines in the drawings are for illustrative purposes only and form no part of the claimed design.

1 Claim, 2 Drawing Sheets

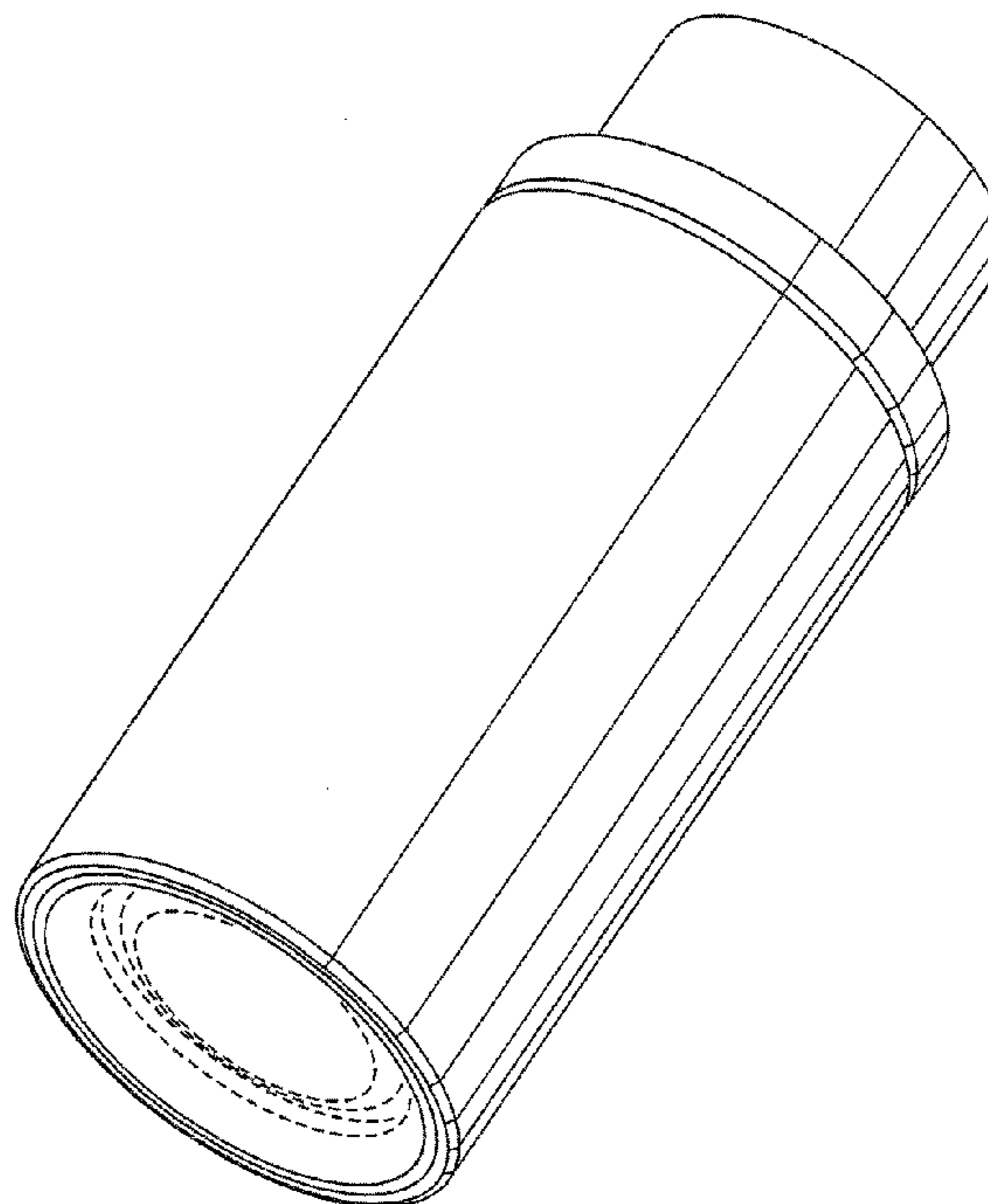
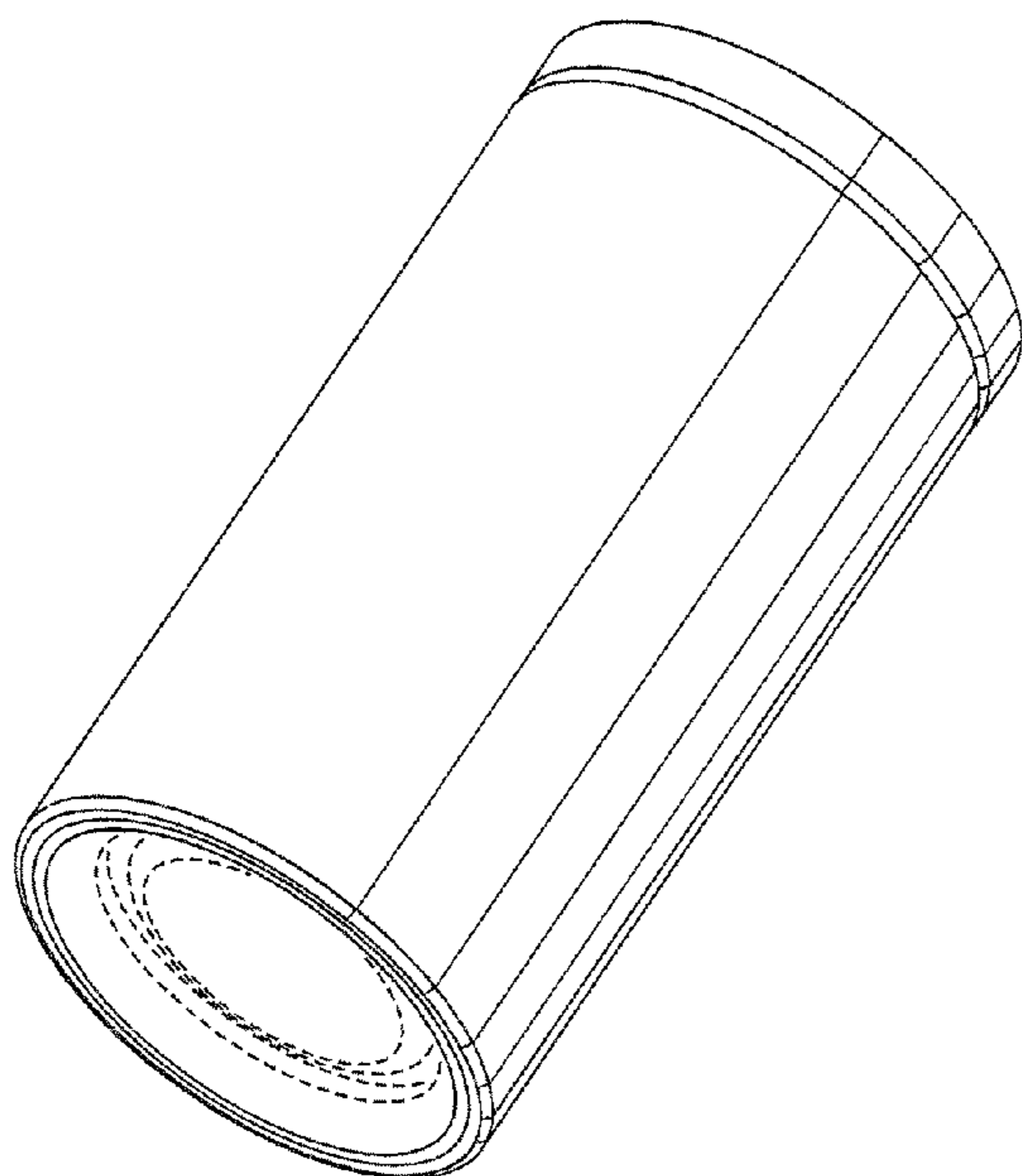


Fig. 1

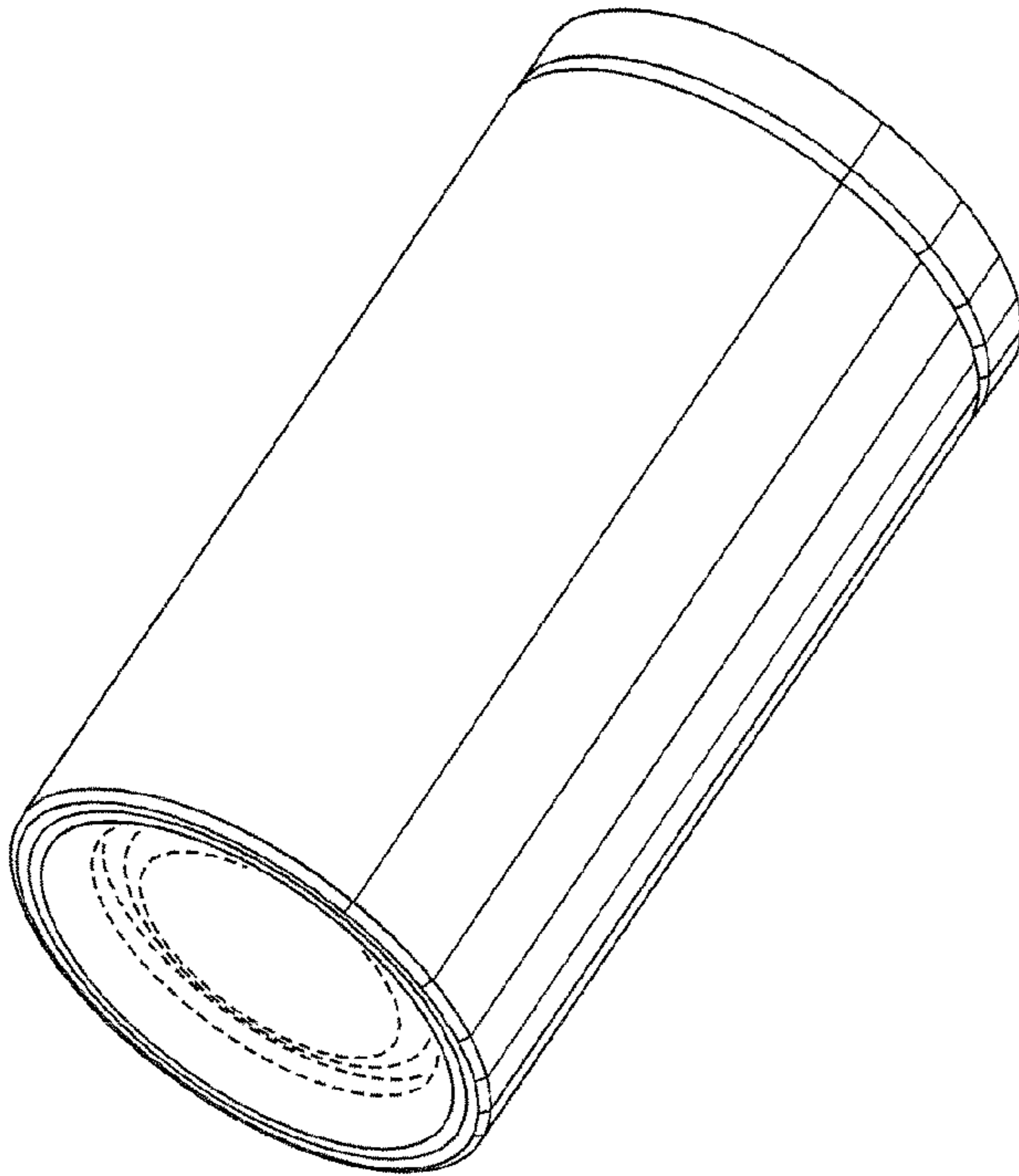


Fig. 3

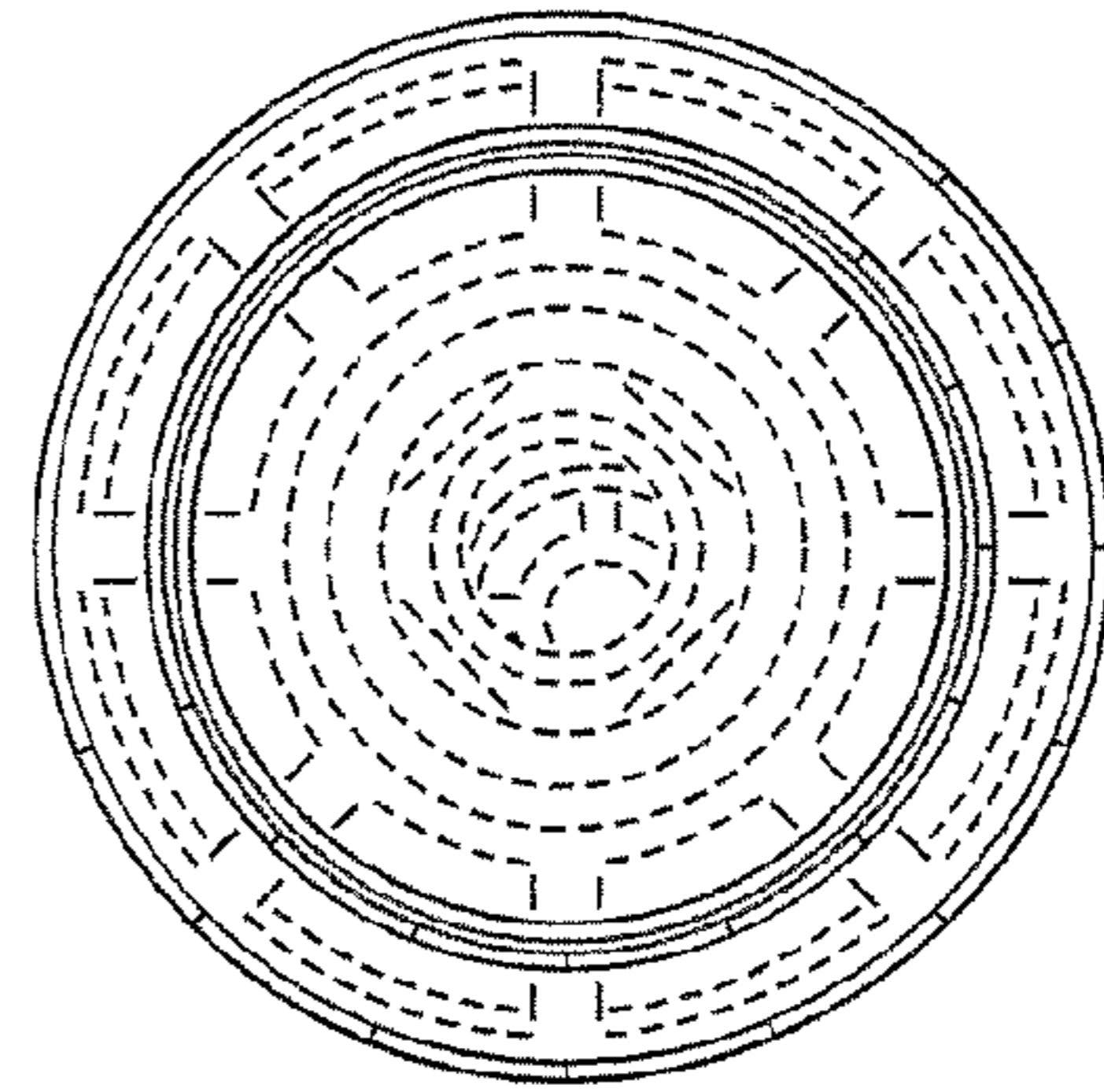


Fig. 4

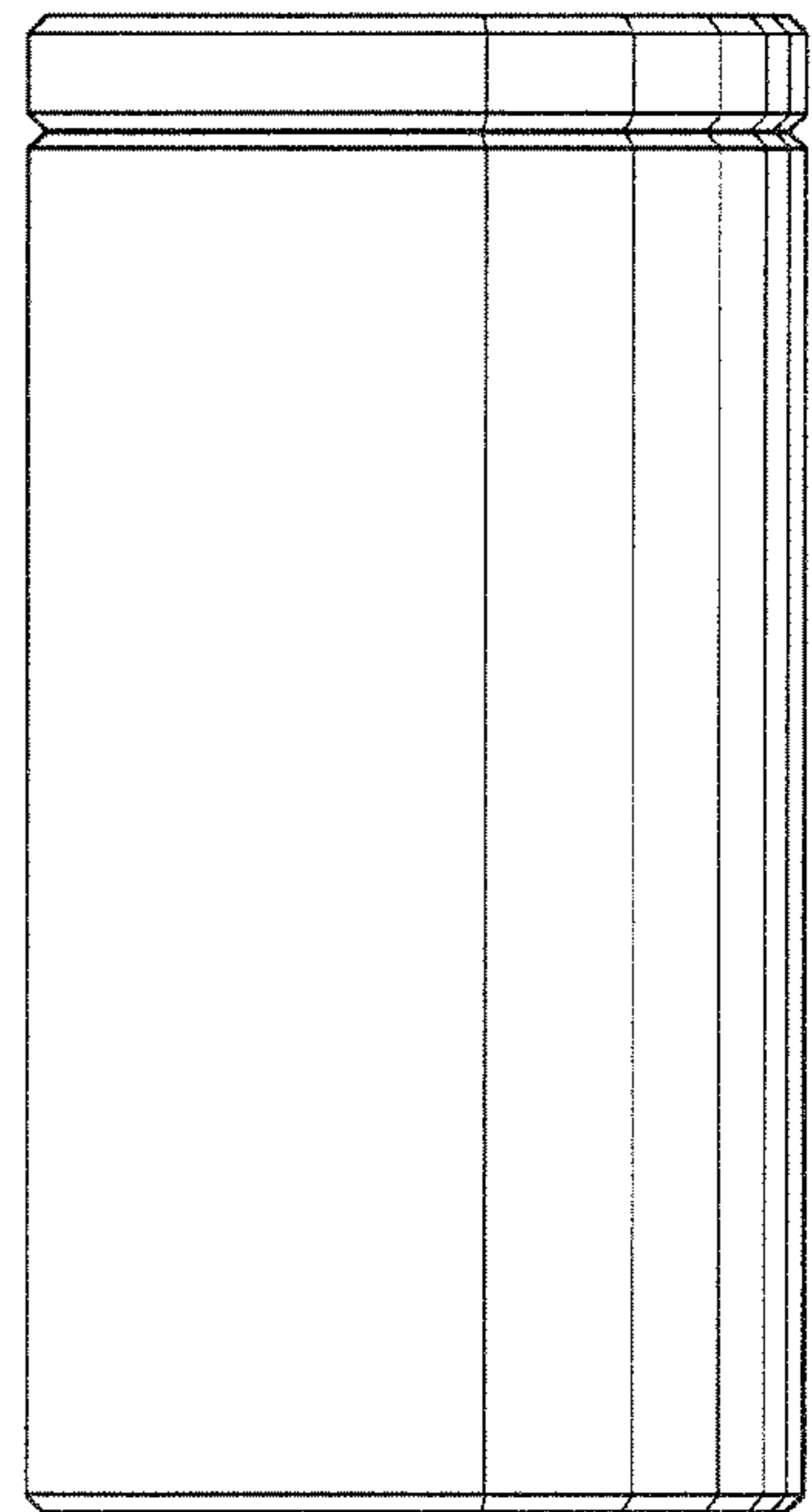


Fig. 2

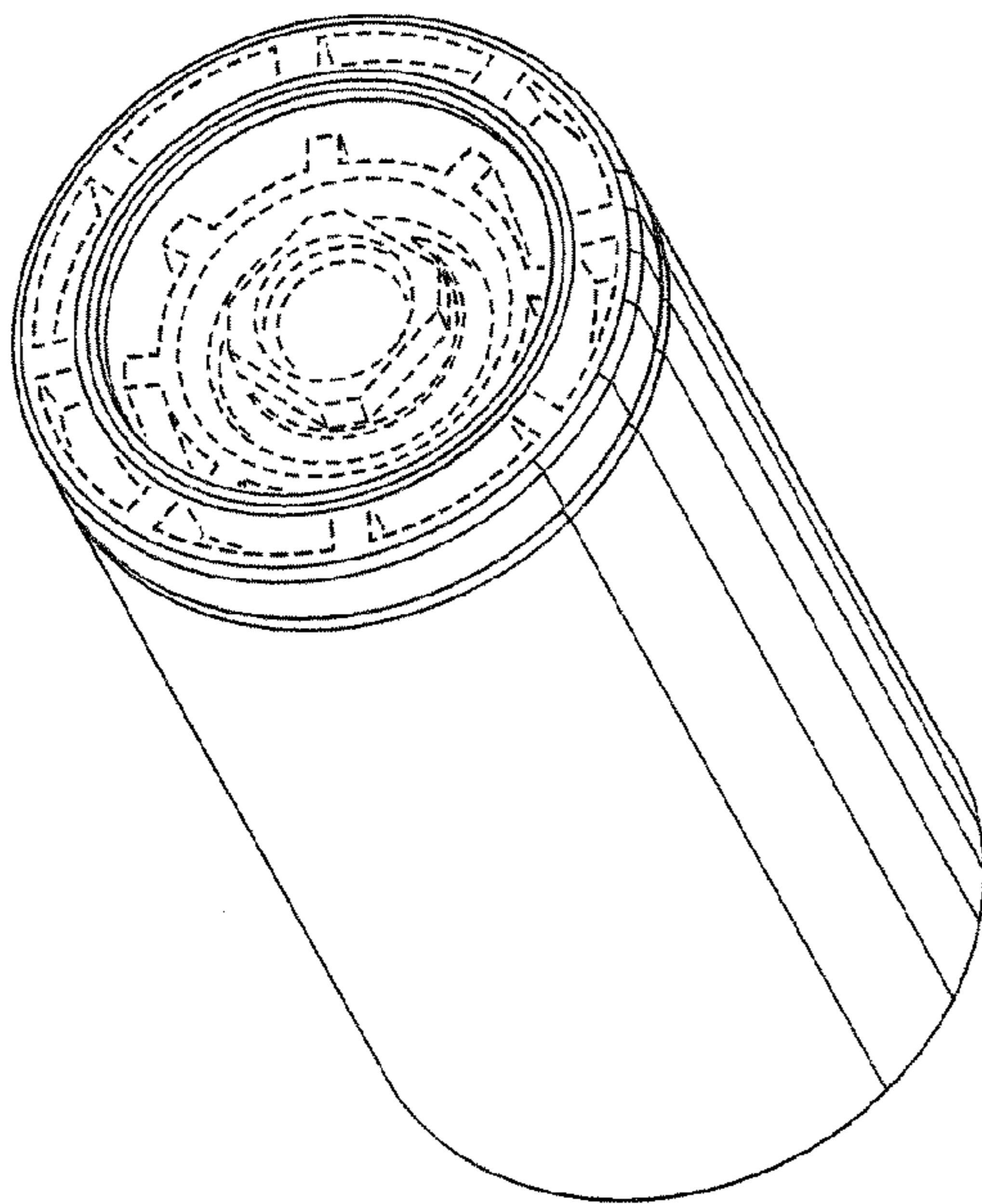


Fig. 5

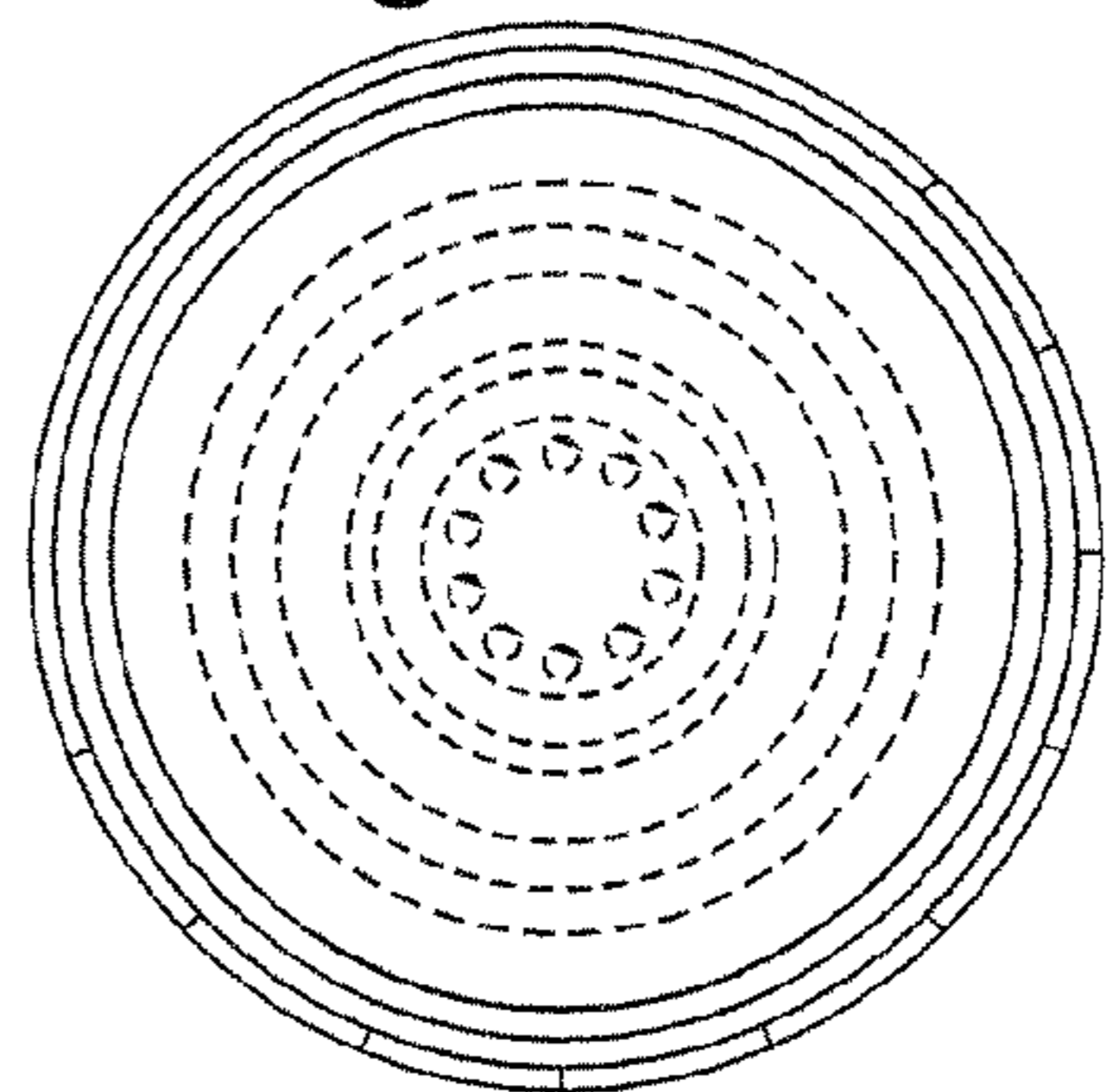


Fig. 6

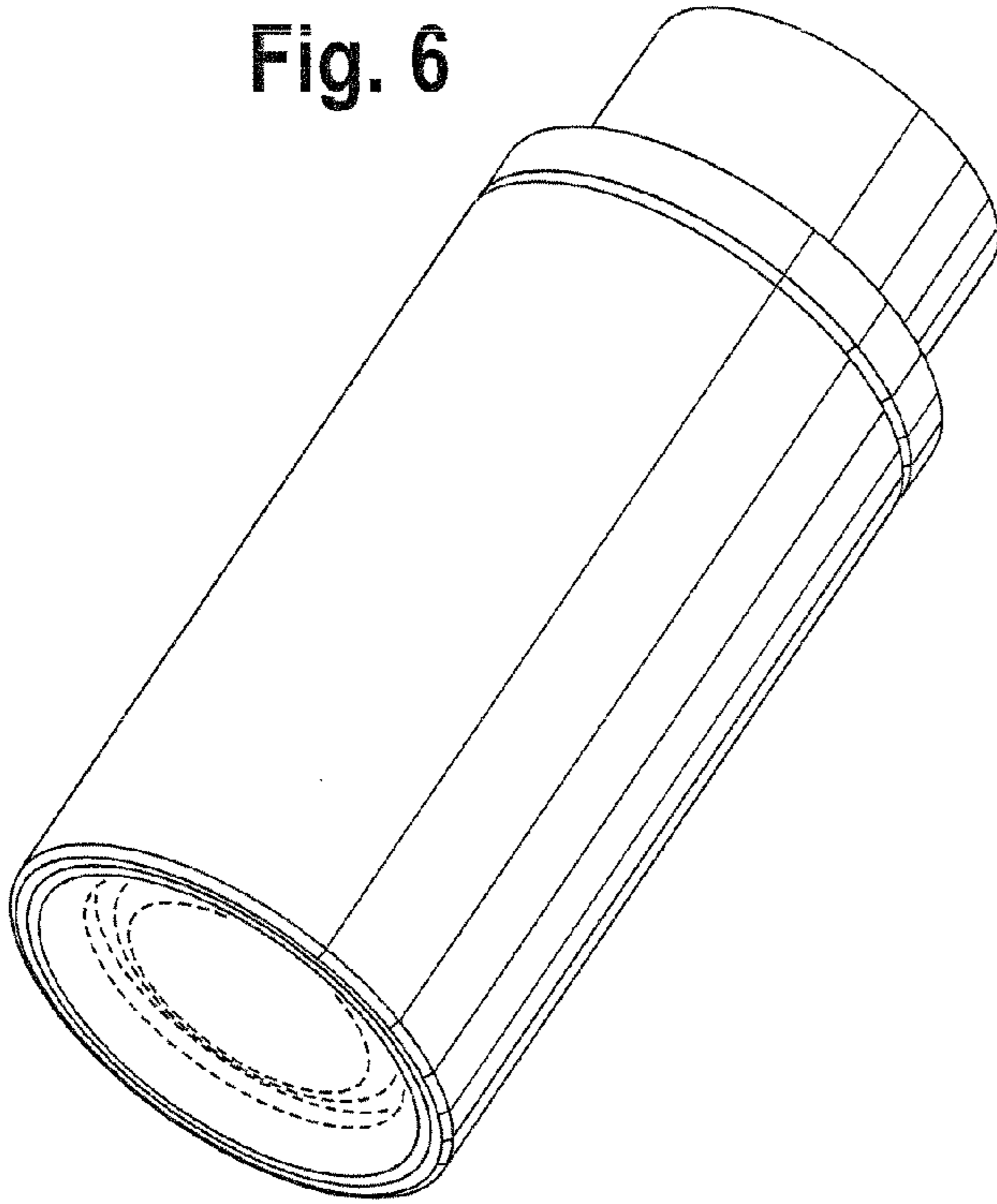


Fig. 8

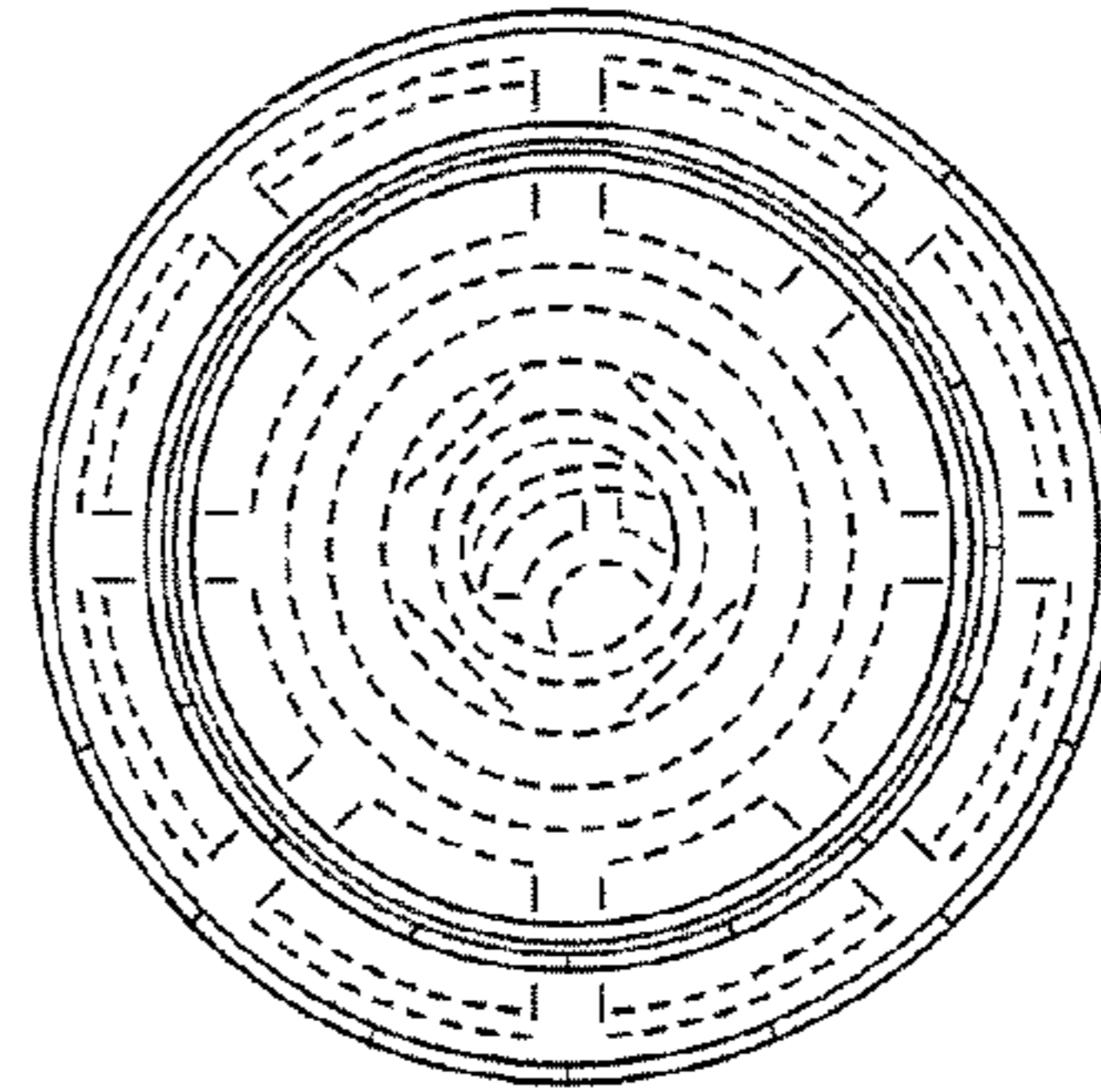


Fig. 9

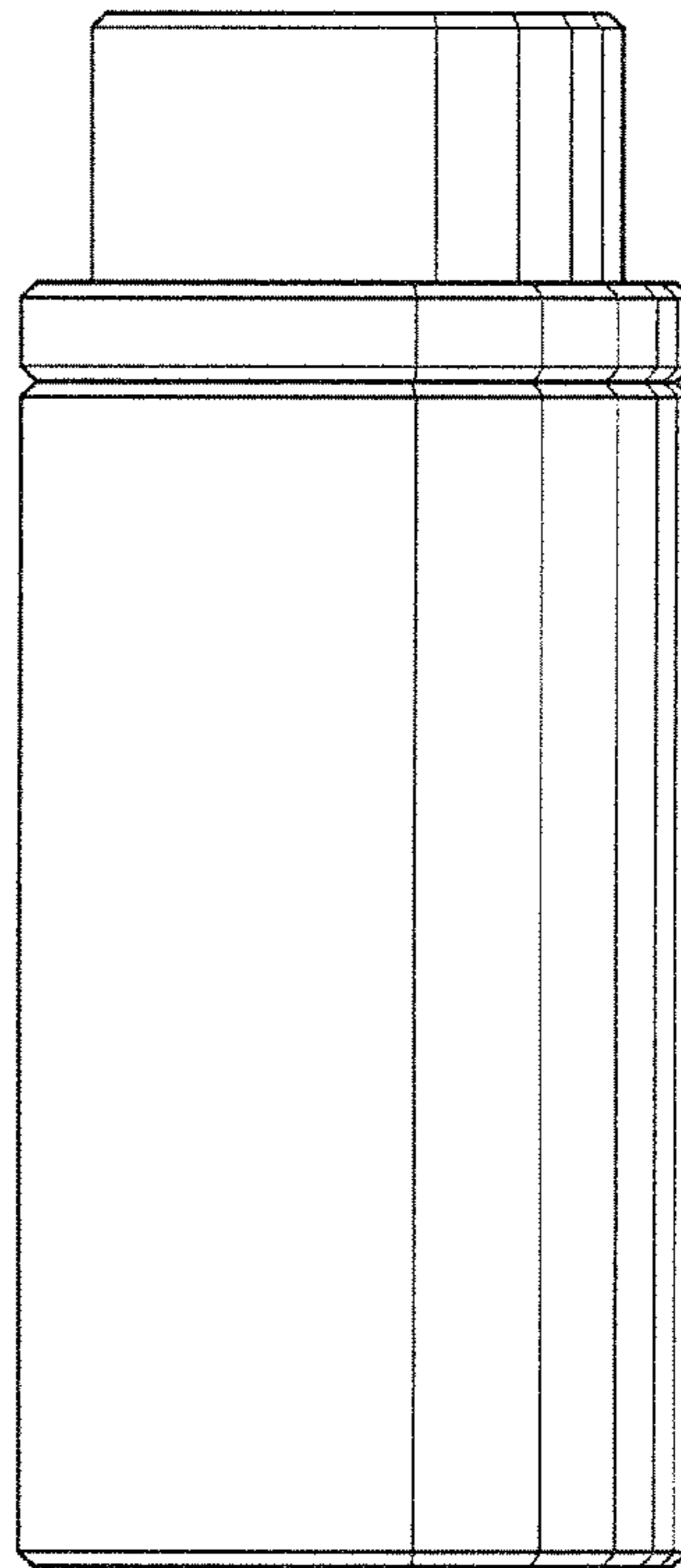


Fig. 7

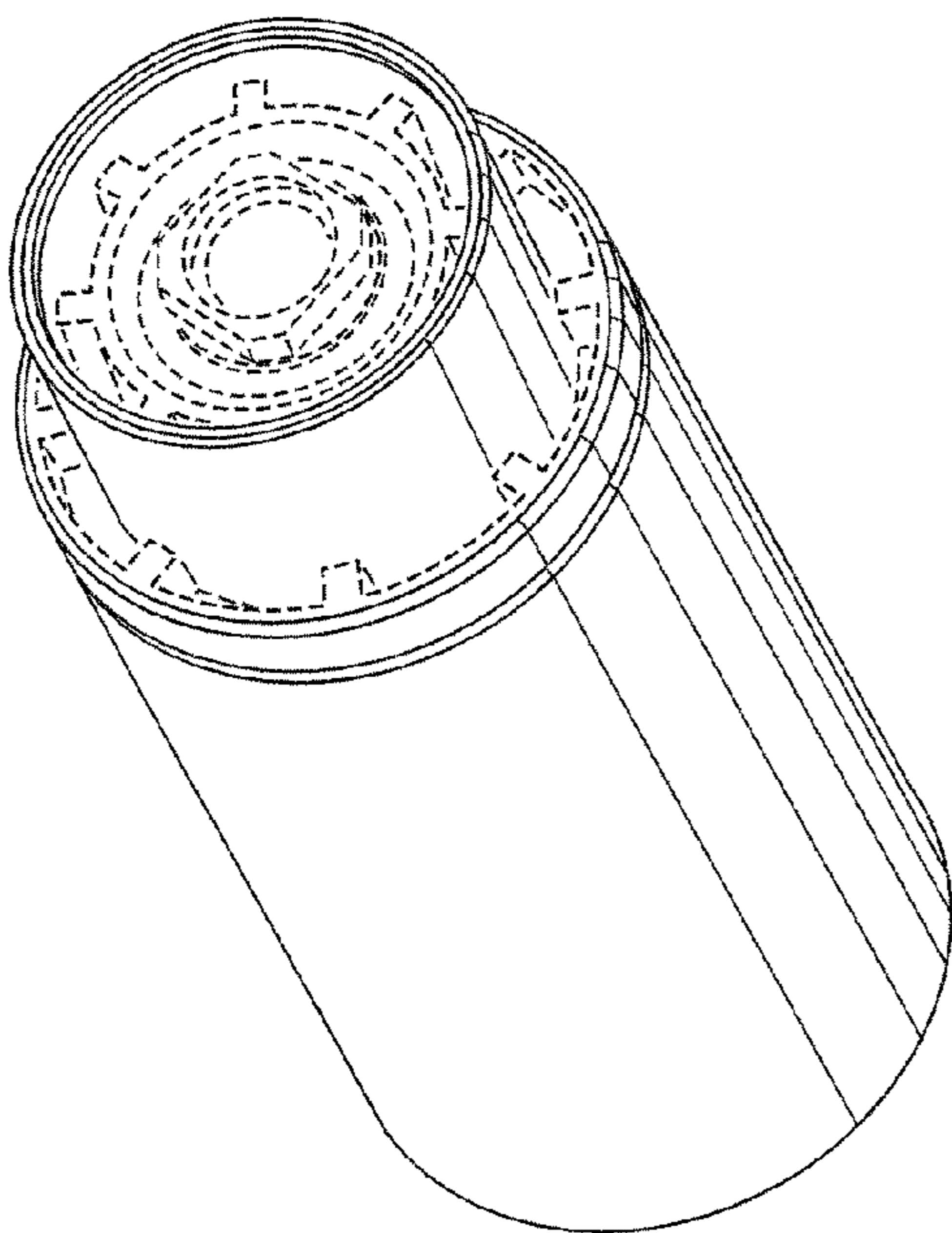


Fig. 10

