



US00D639384S

(12) **United States Design Patent**  
**Flowers et al.**

(10) **Patent No.:** **US D639,384 S**  
(45) **Date of Patent:** **\*\* Jun. 7, 2011**

(54) **SHOWER HEAD**

(75) Inventors: **Paul Flowers**, Duesseldorf (DE);  
**Annette Roy**, Duesseldorf (DE)

(73) Assignee: **Grohe AG**, Hemer (DE)

(\*\*) Term: **14 Years**

(21) Appl. No.: **29/376,093**

(22) Filed: **Oct. 1, 2010**

(30) **Foreign Application Priority Data**

Apr. 8, 2010 (EM) ..... 001692013-0004

(51) **LOC (9) Cl.** ..... **23-01**

(52) **U.S. Cl.** ..... **D23/213; D23/229**

(58) **Field of Classification Search** ..... D23/213,  
D23/229, 230; 239/282, 283; 4/615  
See application file for complete search history.

(56) **References Cited**

**U.S. PATENT DOCUMENTS**

D496,987 S *	10/2004	Glunk	.....	D23/213
D531,260 S *	10/2006	Luo et al.	.....	D23/213
D538,391 S *	3/2007	Mazzola	.....	D23/213
D590,046 S *	4/2009	Starck	.....	D23/213
D593,640 S *	6/2009	Schoenherr et al.	.....	D23/213

D604,803 S *	11/2009	Schoenherr et al.	.....	D23/213
D612,008 S *	3/2010	Schoenherr et al.	.....	D23/213
D612,010 S *	3/2010	Schoenherr et al.	.....	D23/213
D624,155 S *	9/2010	Yokoyama et al.	.....	D23/213
D626,623 S *	11/2010	Gessi	.....	D23/213
D627,429 S *	11/2010	Gessi	.....	D23/213

\* cited by examiner

*Primary Examiner* — Robin V Webster

(74) *Attorney, Agent, or Firm* — Muncy, Geissler, Olds & Lowe, PLLC

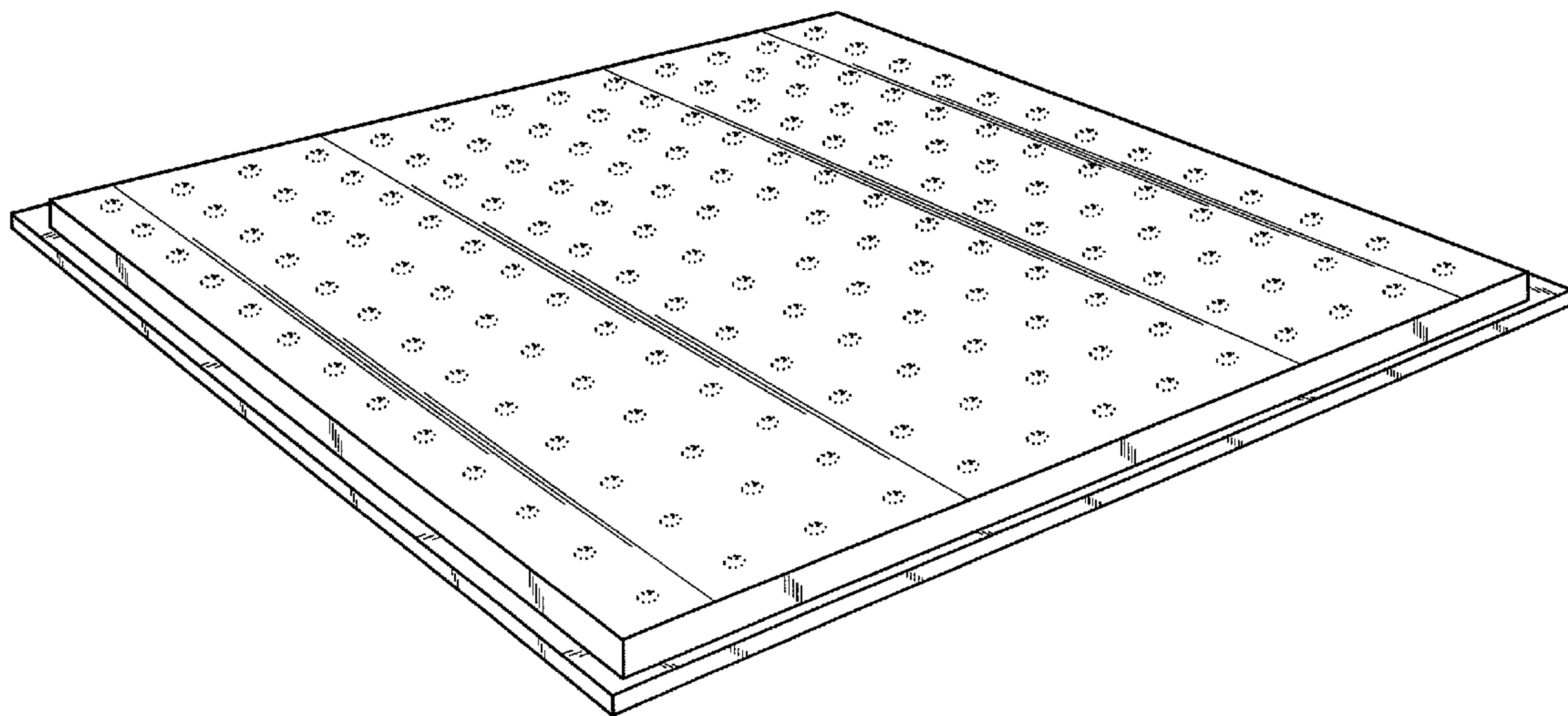
(57) **CLAIM**

The ornamental design for a shower head, as shown and described.

**DESCRIPTION**

FIG. 1 is a perspective view of a shower head.  
FIG. 2 is a front elevational view of the shower head of FIG. 1.  
FIG. 3 is a rear elevational view of the shower head of FIG. 1; and,  
FIG. 4 is a left side elevational view of the shower head of FIG. 1, the right side elevational view being identical thereto. The dashed lines illustrate environment that does not form a part of the present invention, and no claim is made to the material illustrated with dashed lines.

**1 Claim, 4 Drawing Sheets**



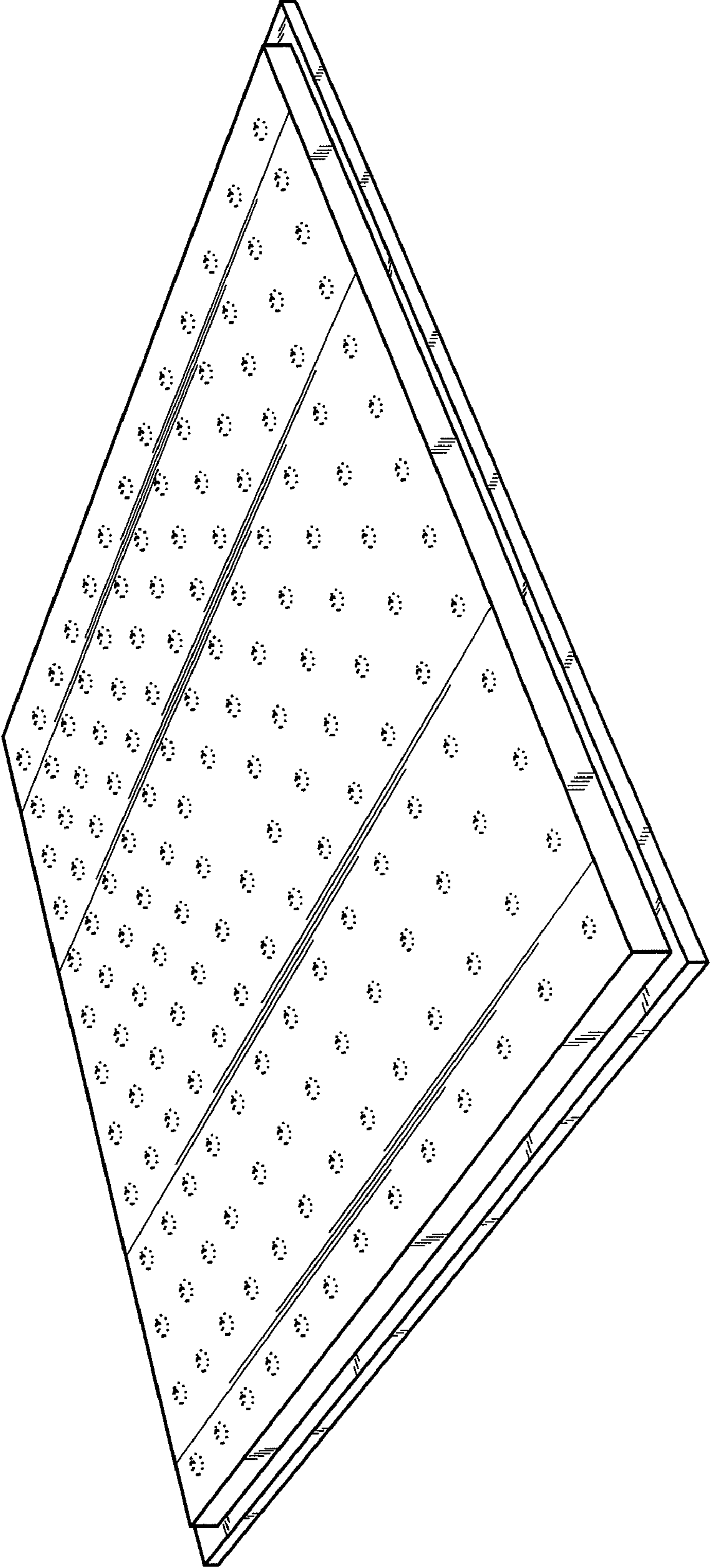


Fig.1

Fig.2

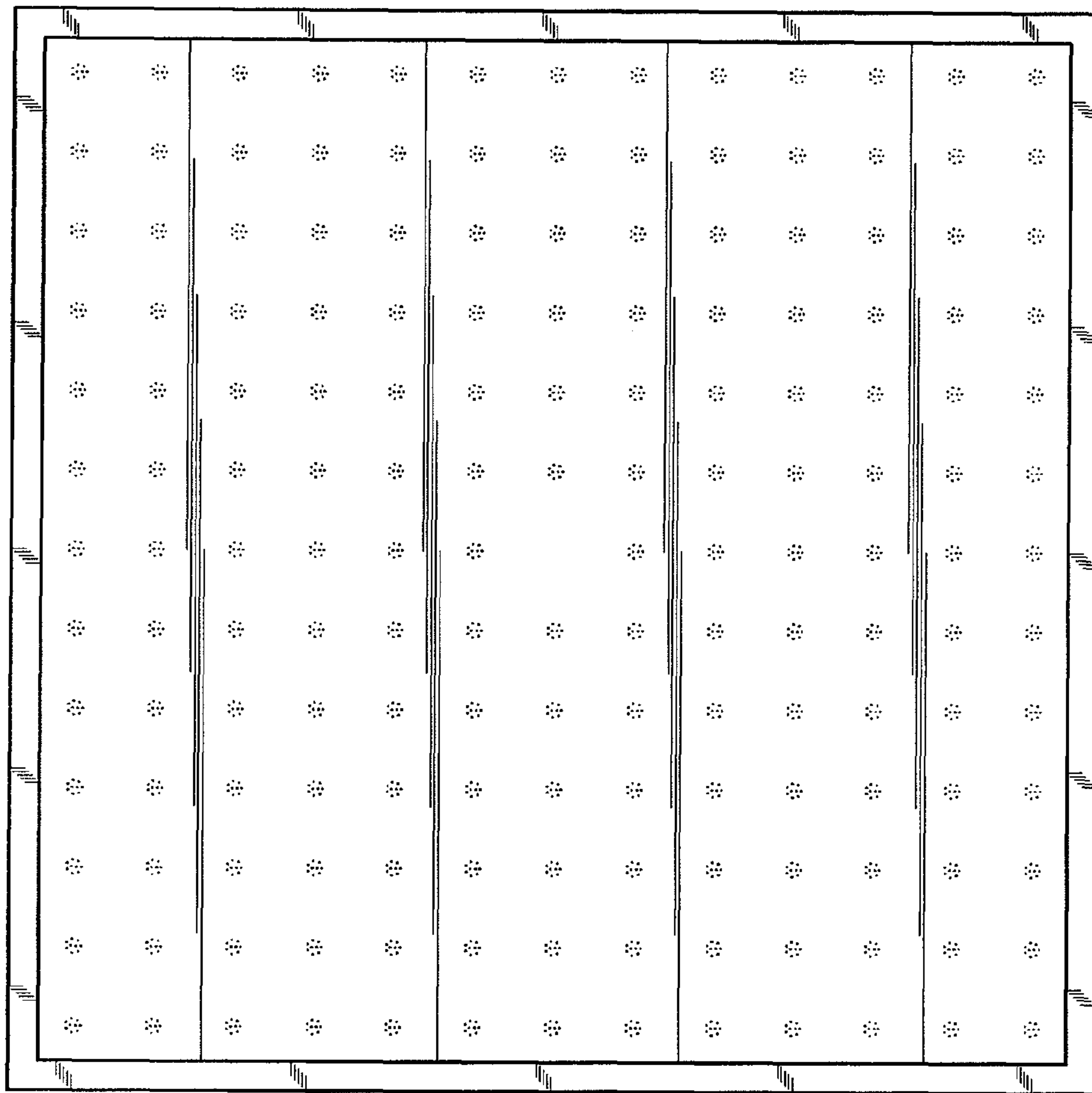
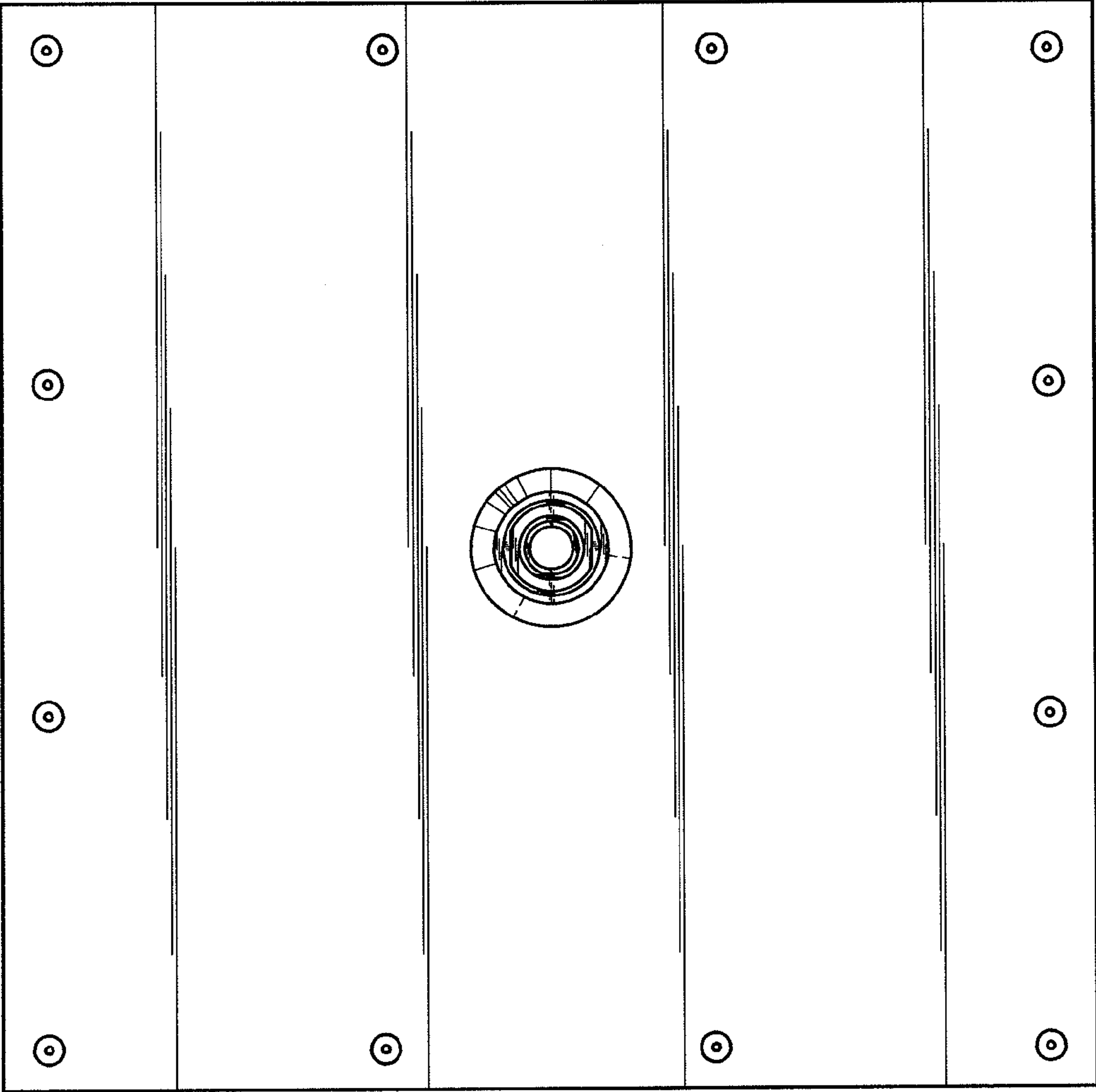


Fig.3



**Fig.4**

