



US00D639380S

(12) **United States Design Patent**
Smith et al.

(10) **Patent No.:** **US D639,380 S**

(45) **Date of Patent:** **** Jun. 7, 2011**

(54) **FLOATING WADE FISHING GEAR HOLDER**

(76) Inventors: **Dana B. Smith**, Houston, TX (US);
Dave E. Wilson, Katy, TX (US)

(**) Term: **14 Years**

(21) Appl. No.: **29/375,858**

(22) Filed: **Sep. 28, 2010**

(51) **LOC (9) Cl.** **22-05**

(52) **U.S. Cl.** **D22/134**

(58) **Field of Classification Search** D22/134,
D22/136, 146, 199; 43/54.1, 55-56; 441/129;
280/47.26, 79.2; 224/920; 206/315.11

See application file for complete search history.

(56) **References Cited**

U.S. PATENT DOCUMENTS

4,638,593 A * 1/1987 Garcia 43/54.1
4,794,723 A * 1/1989 Arnold et al. 43/55
D309,937 S * 8/1990 Baxter D22/134
5,163,694 A * 11/1992 Reichel 280/47.26

D354,395 S * 1/1995 Harrold et al. D3/260
5,402,596 A * 4/1995 Gillming, Jr. 43/54.1
6,405,478 B1 * 6/2002 Westley 43/54.1

* cited by examiner

Primary Examiner — Catherine R Oliver

(74) *Attorney, Agent, or Firm* — Kenneth A. Roddy

(57) **CLAIM**

The ornamental design for a floating wade fishing gear holder, as shown and described.

DESCRIPTION

FIG. 1 is a perspective view of a floating wade fishing gear holder, showing our new design from the top, one end, and one side;

FIG. 2 is a side elevation of the floating wade fishing gear holder, the opposite side being a mirror image of that shown;

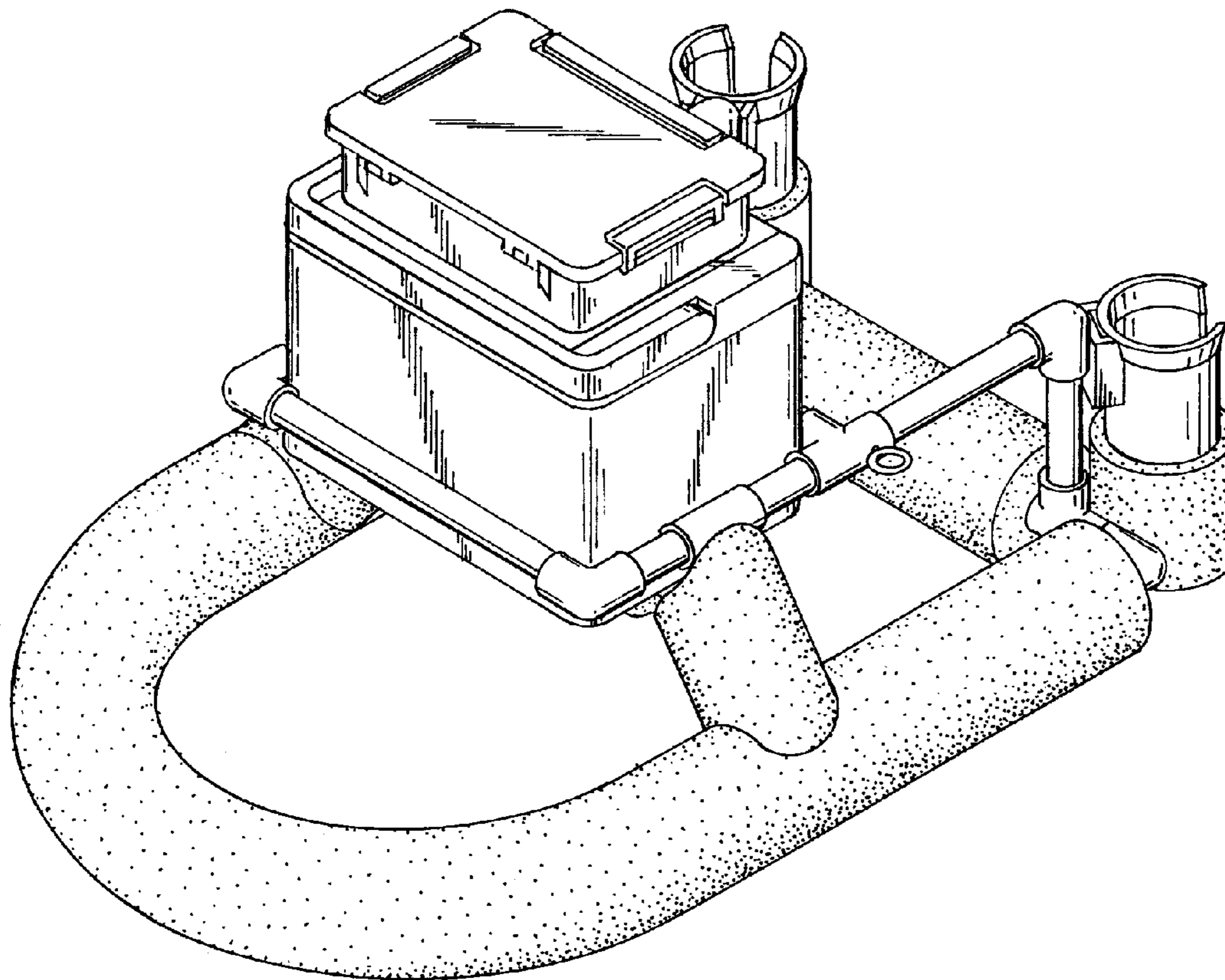
FIG. 3 is a top plan view thereof;

FIG. 4 is a bottom plan view thereof;

FIG. 5 is a left end view thereof; and,

FIG. 6 is a right end view thereof.

1 Claim, 4 Drawing Sheets



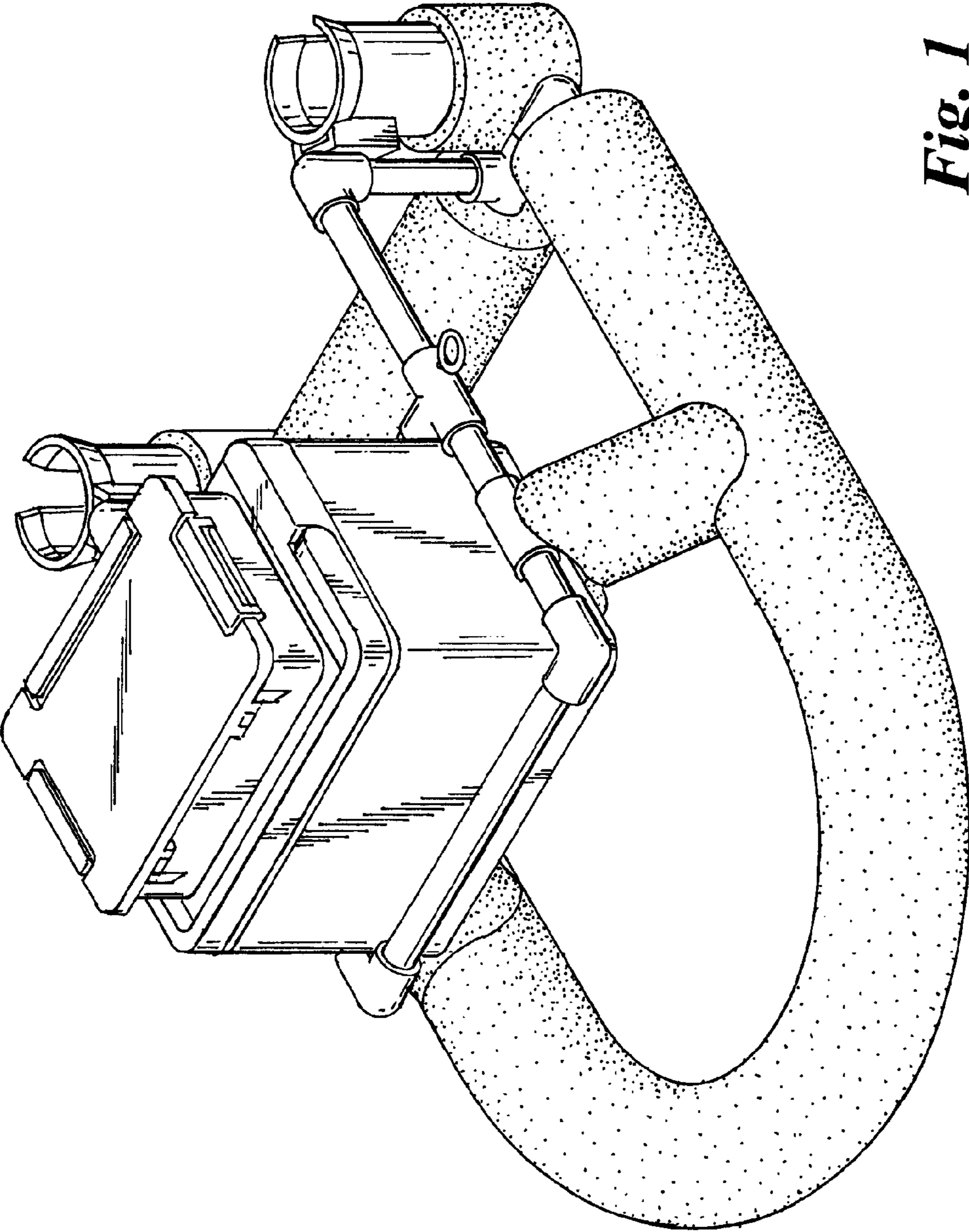


Fig. 1

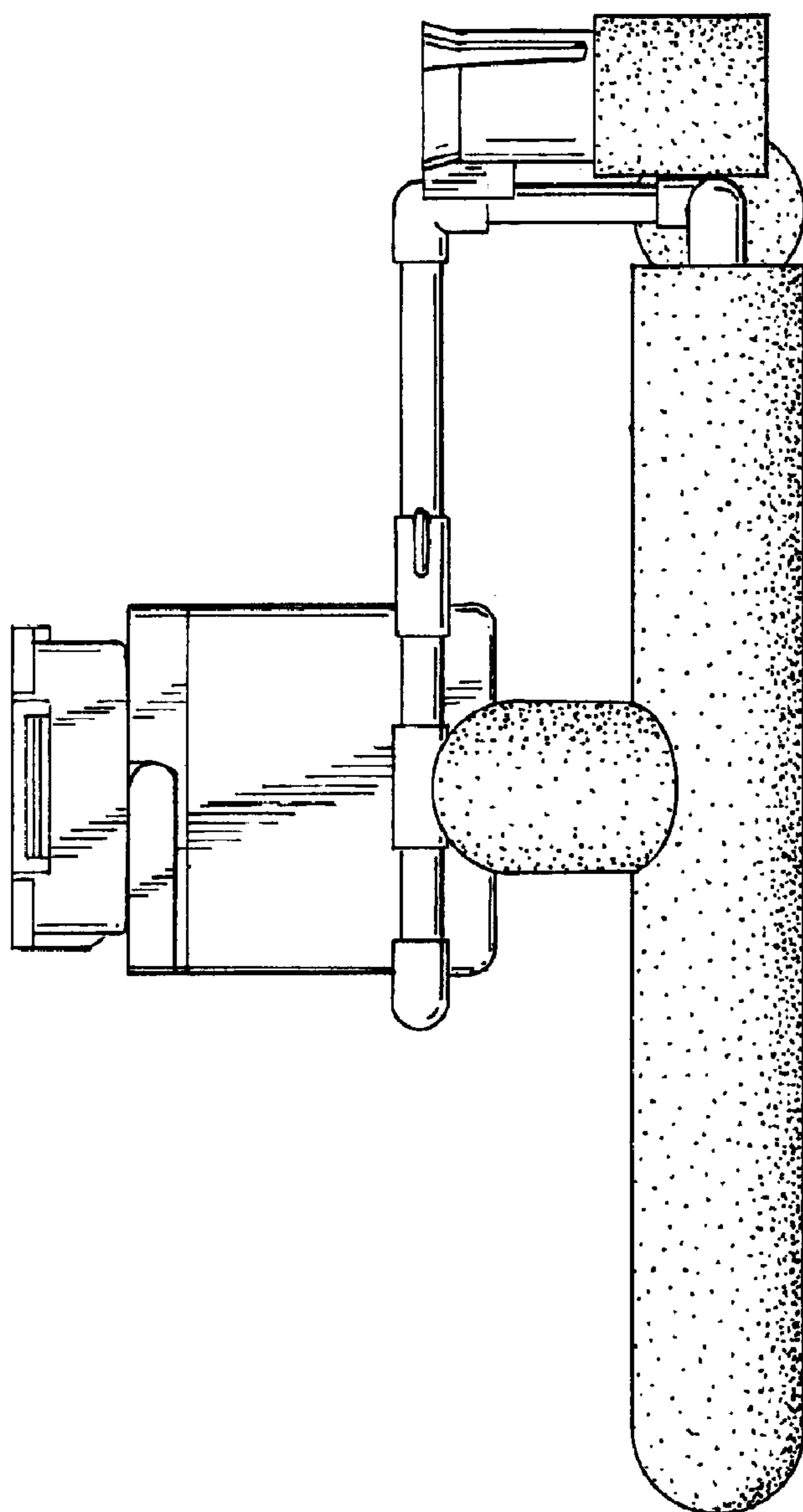


Fig. 2

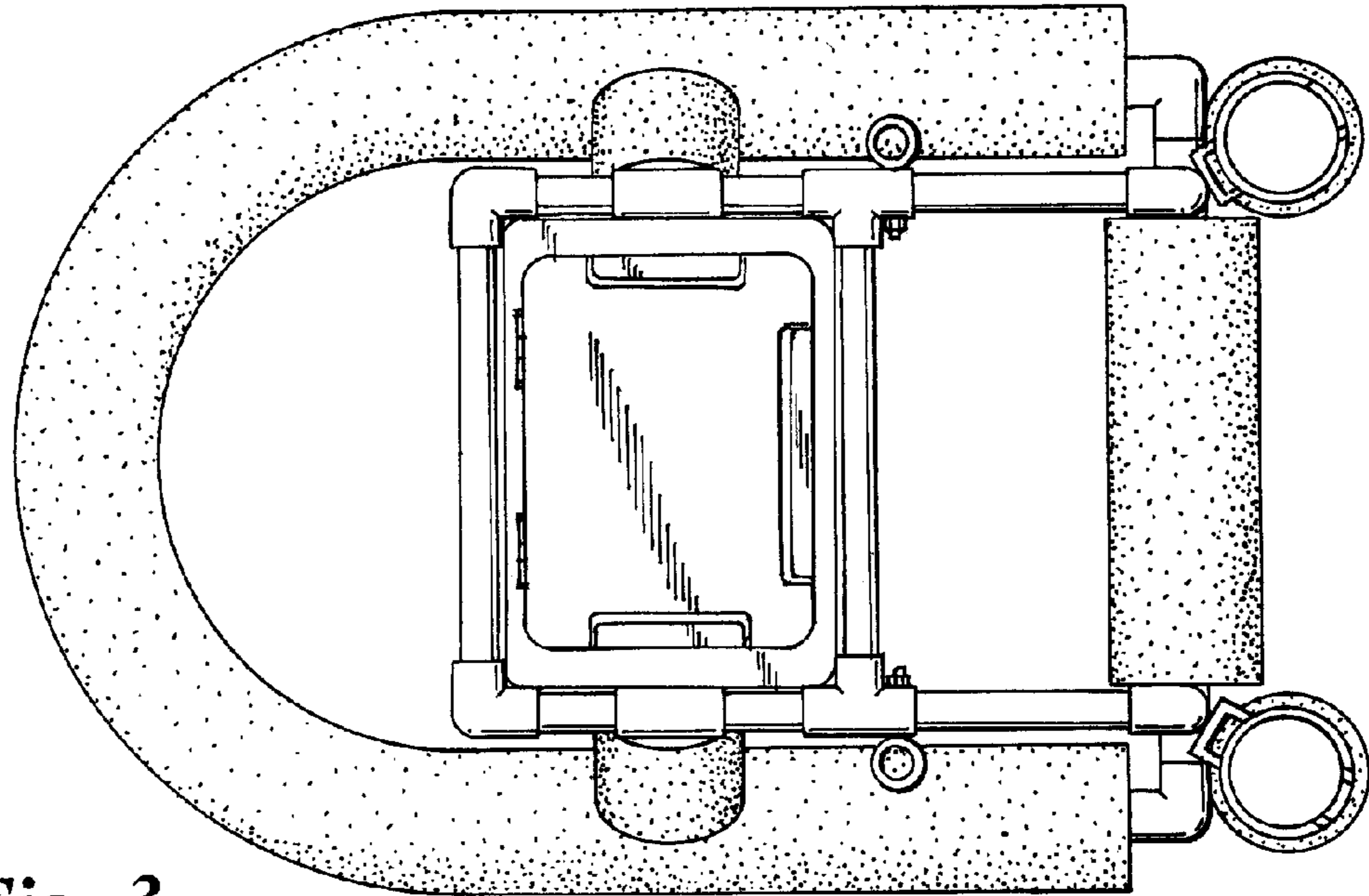


Fig. 3

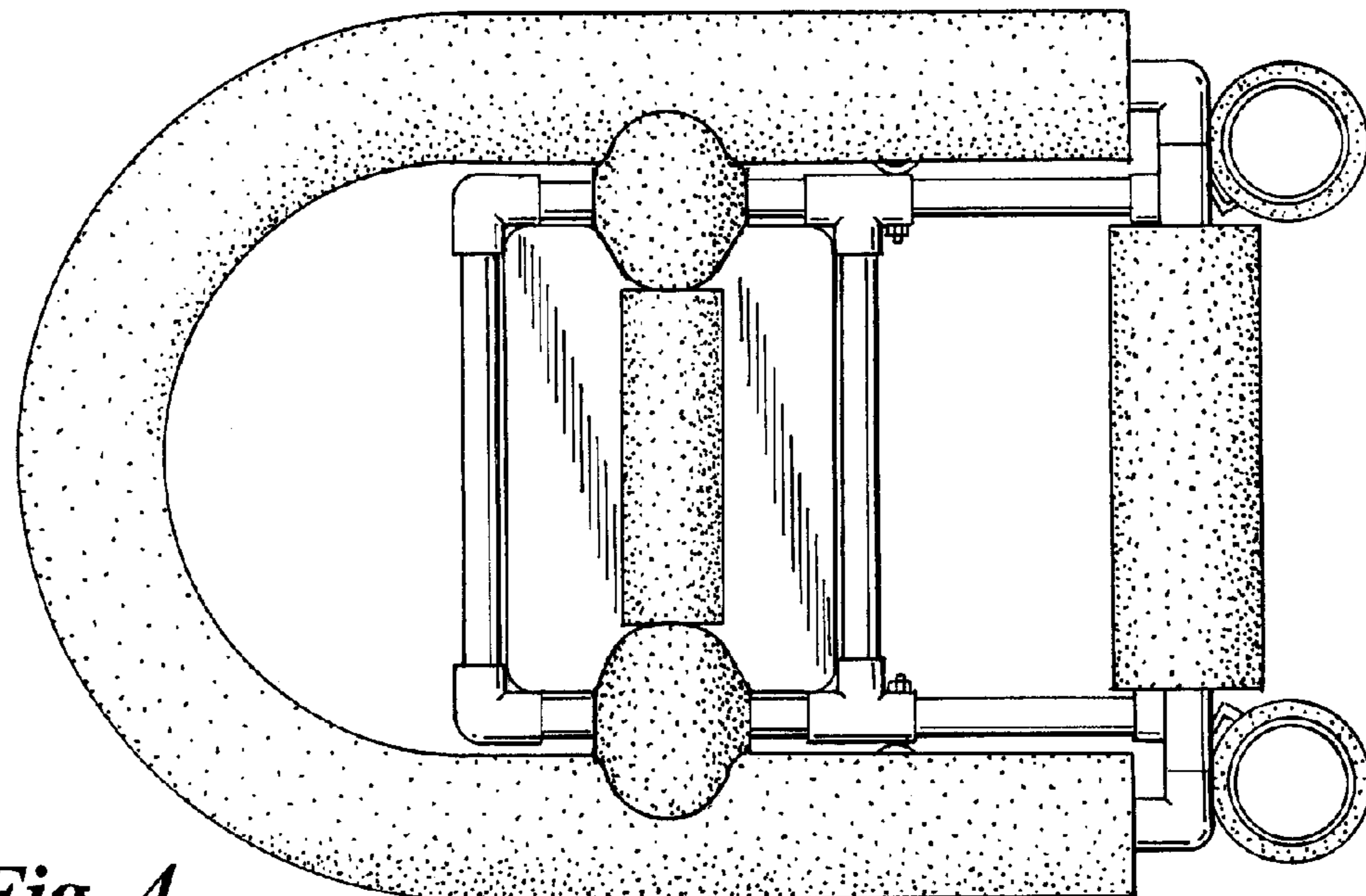


Fig. 4

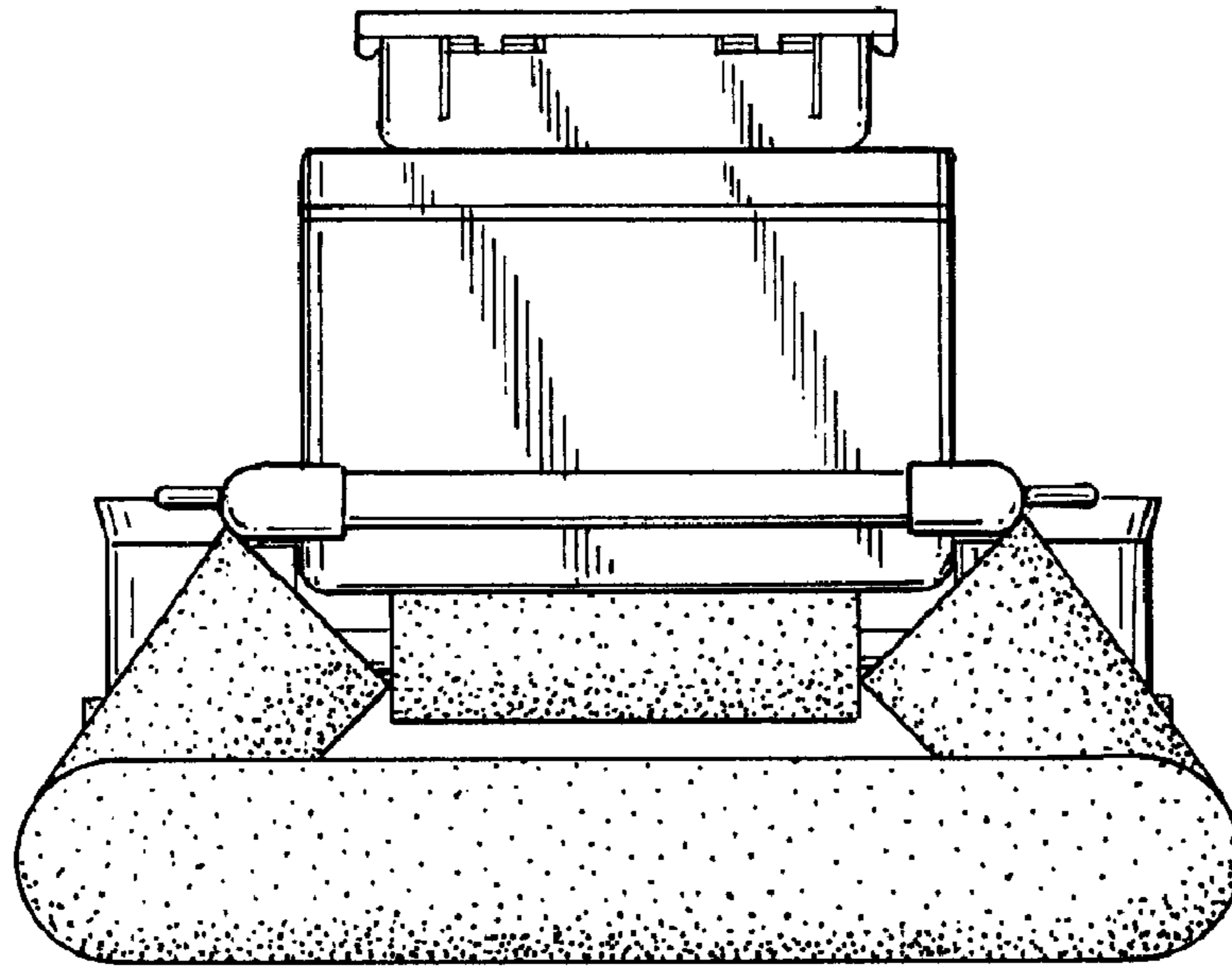


Fig. 5

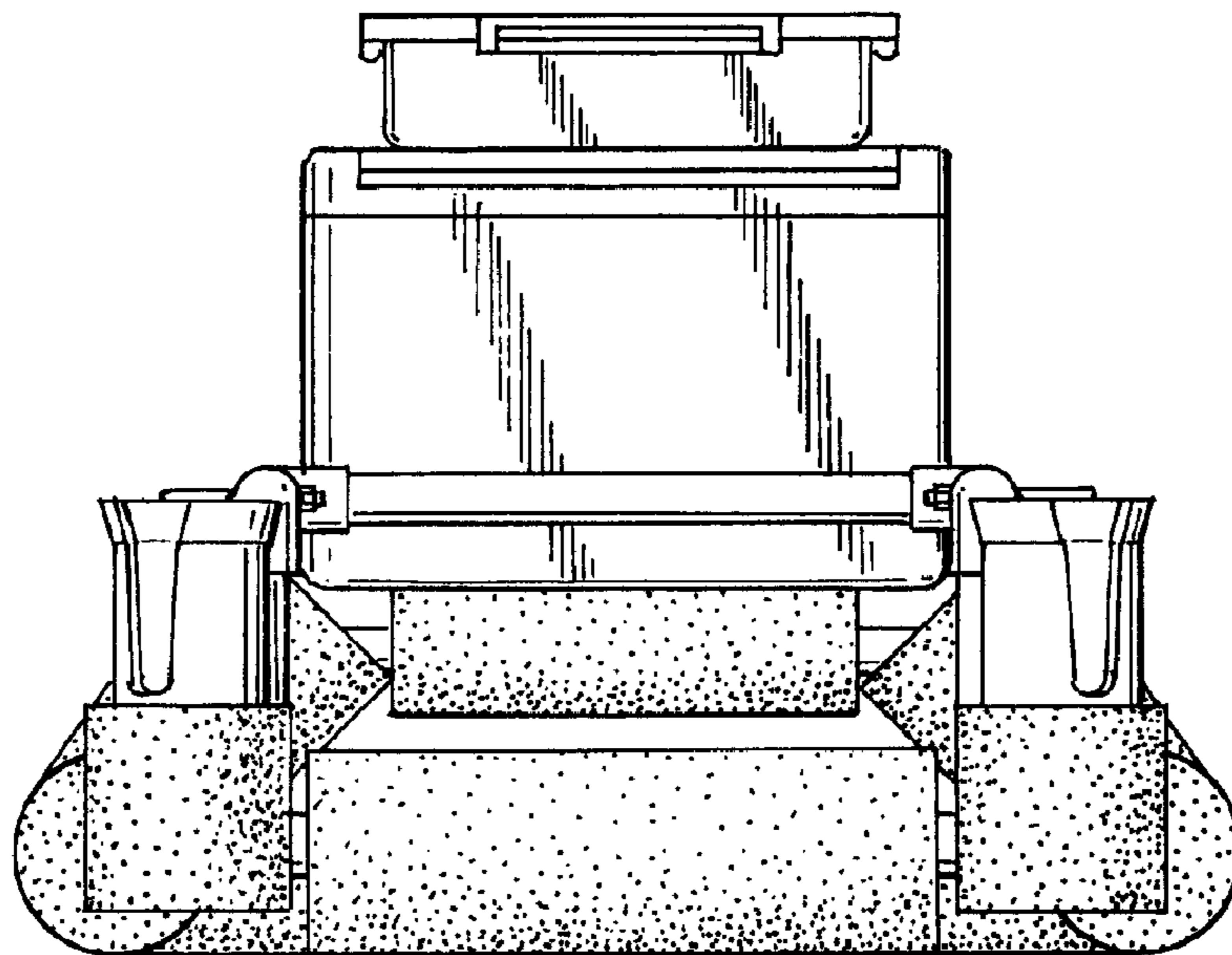


Fig. 6