

US00D639376S

(12) **United States Design Patent**
Ding

(10) **Patent No.:** **US D639,376 S**

(45) **Date of Patent:** **** Jun. 7, 2011**

(54) **SYMMETRICAL SPLIT MOUNT WITH SIDE RAILS**

(75) Inventor: **Tai-Lai Ding**, Northville, MI (US)

(73) Assignee: **Leapers, Inc.**, Livonia, MI (US)

(**) Term: **14 Years**

(21) Appl. No.: **29/363,967**

(22) Filed: **Jun. 16, 2010**

(51) **LOC (9) Cl.** **22-01**

(52) **U.S. Cl.** **D22/108**

(58) **Field of Classification Search** D22/100,
D22/108, 109, 110, 199; 42/11, 113, 116,
42/119, 124, 125, 127, 90, 145, 128, 72,
42/106, 114, 85, 75.02, 71.01; 248/205.1,
248/201

See application file for complete search history.

(56) **References Cited**

U.S. PATENT DOCUMENTS

| | | | | |
|-----------|------|--------|----------------|-------|
| 6,598,330 | B2 * | 7/2003 | Garrett et al. | 42/85 |
| 6,609,321 | B2 | 8/2003 | Faifer | |
| 6,836,990 | B2 | 1/2005 | Shiloni | |
| D507,619 | S | 7/2005 | Shiloni | |
| 7,216,451 | B1 * | 5/2007 | Troy | 42/72 |

| | | | | |
|--------------|------|---------|-------------------|-----------|
| D613,811 | S * | 4/2010 | Swan | D22/108 |
| D616,520 | S * | 5/2010 | Starnes | D22/108 |
| 2003/0074822 | A1 | 4/2003 | Faifer | |
| 2004/0226212 | A1 | 11/2004 | Shiloni | |
| 2005/0000142 | A1 * | 1/2005 | Kim et al. | 42/124 |
| 2005/0241206 | A1 * | 11/2005 | Teetzel et al. | 42/72 |
| 2006/0048424 | A1 * | 3/2006 | Weir | 42/69.01 |
| 2007/0033851 | A1 * | 2/2007 | Hochstrate et al. | 42/75.01 |
| 2007/0199435 | A1 * | 8/2007 | Hochstrate et al. | 89/191.02 |

* cited by examiner

Primary Examiner — T. Chase Nelson

Assistant Examiner — Michael Pratt

(74) *Attorney, Agent, or Firm* — Honigman Miller Schwartz and Cohn LLP

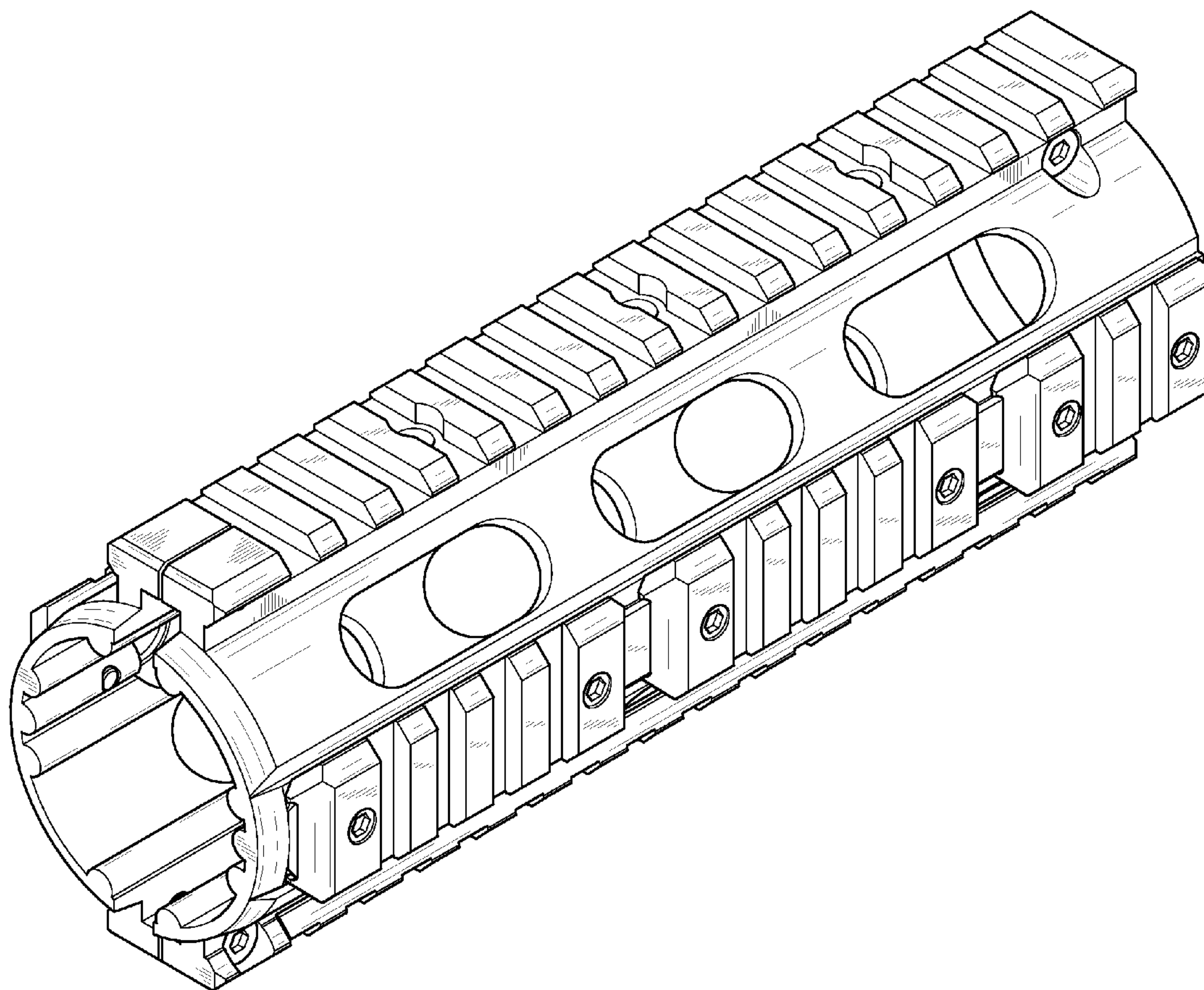
(57) **CLAIM**

The ornamental design for symmetrical split mount with side rails, as shown and described.

DESCRIPTION

FIG. 1 is a front-right isometric view of the mount of the present invention; FIG. 2 is a front elevational view of the mount of FIG. 1; FIG. 3 is a rear elevational view of the mount of FIG. 1; FIG. 4 is a right side elevational view of the mount of FIG. 1; FIG. 5 is a left side elevational view of the mount of FIG. 1; FIG. 6 is a top view of the mount of FIG. 1; and, FIG. 7 is a bottom view of the mount of FIG. 1.

1 Claim, 6 Drawing Sheets



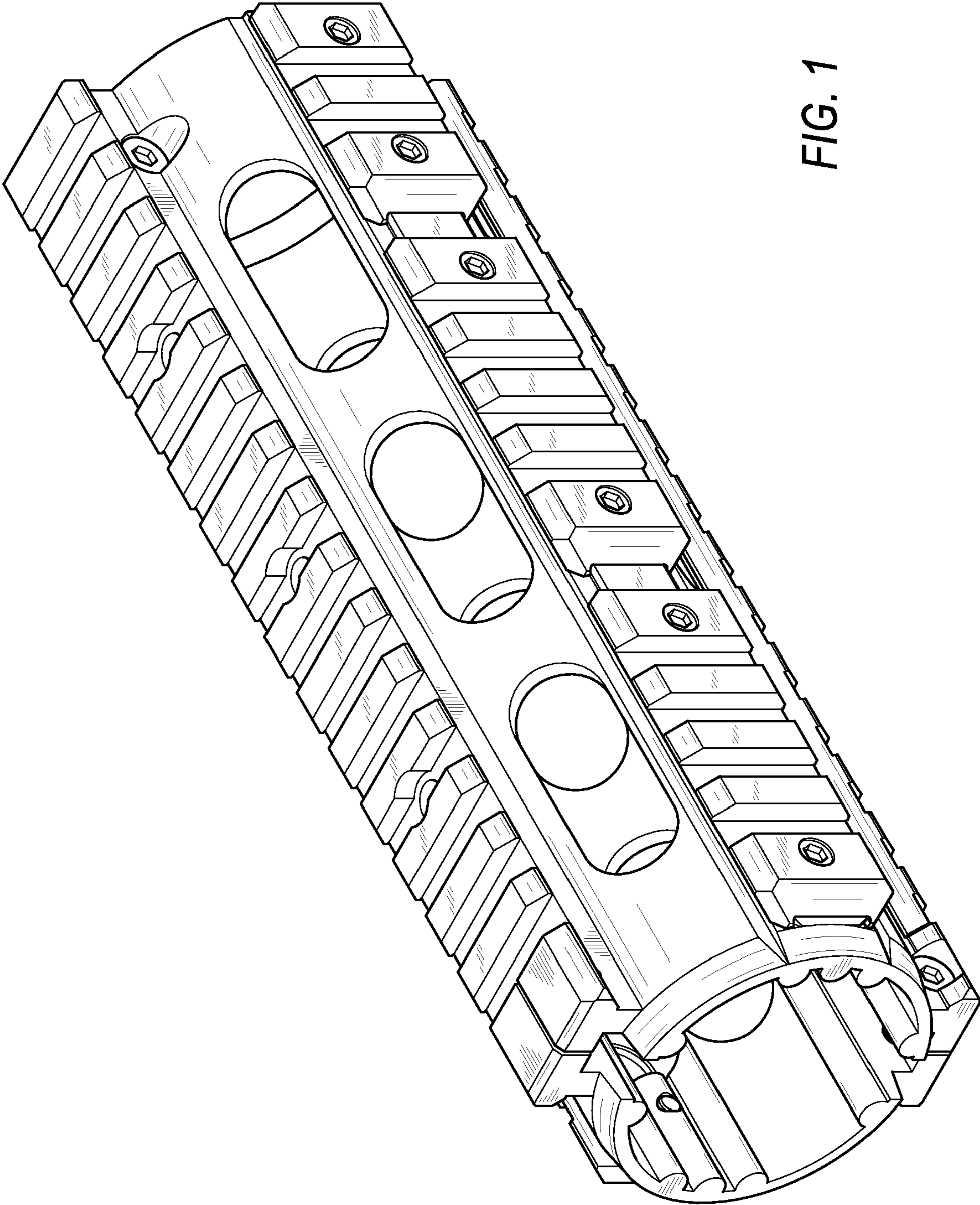


FIG. 1

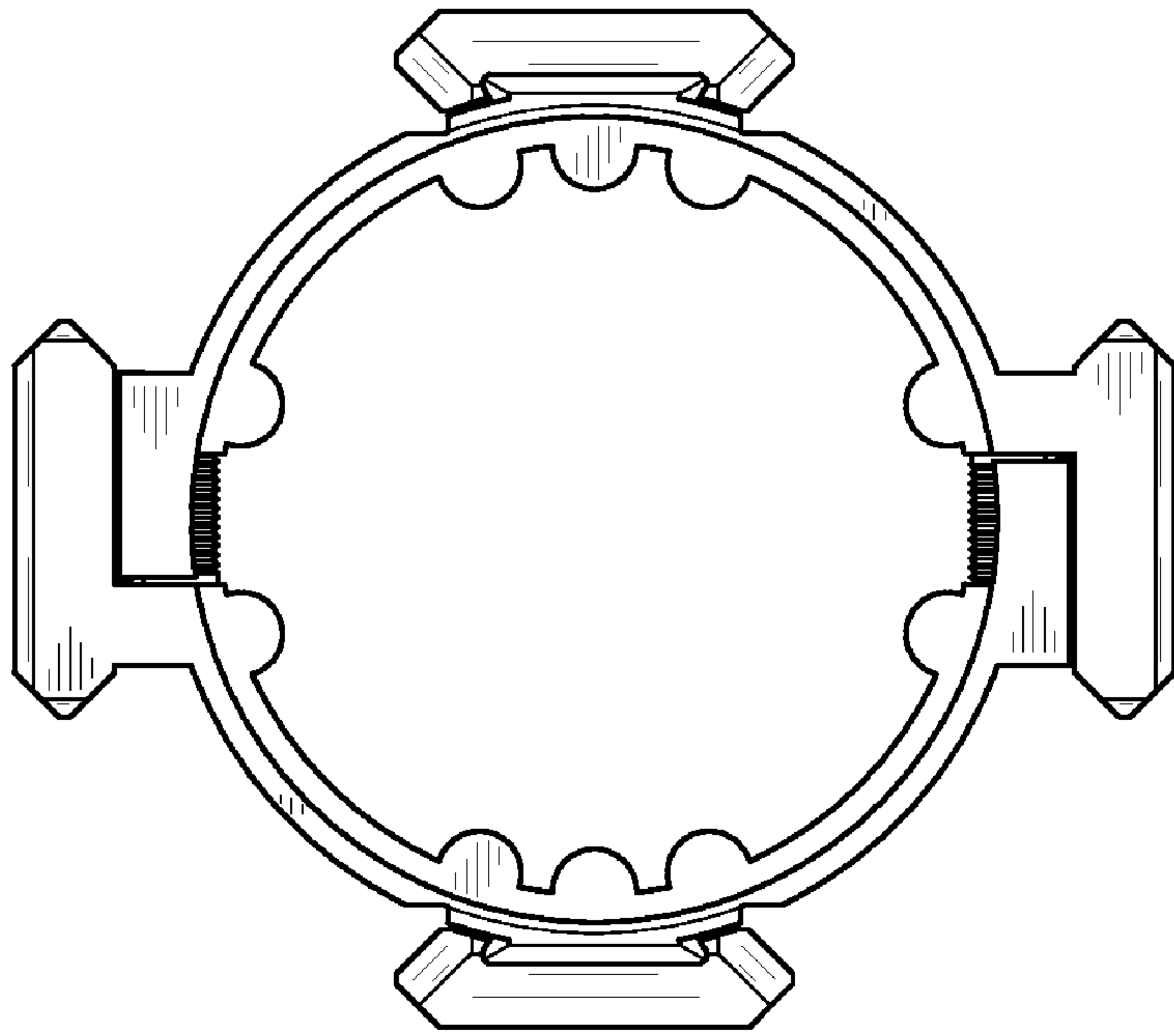


FIG. 3

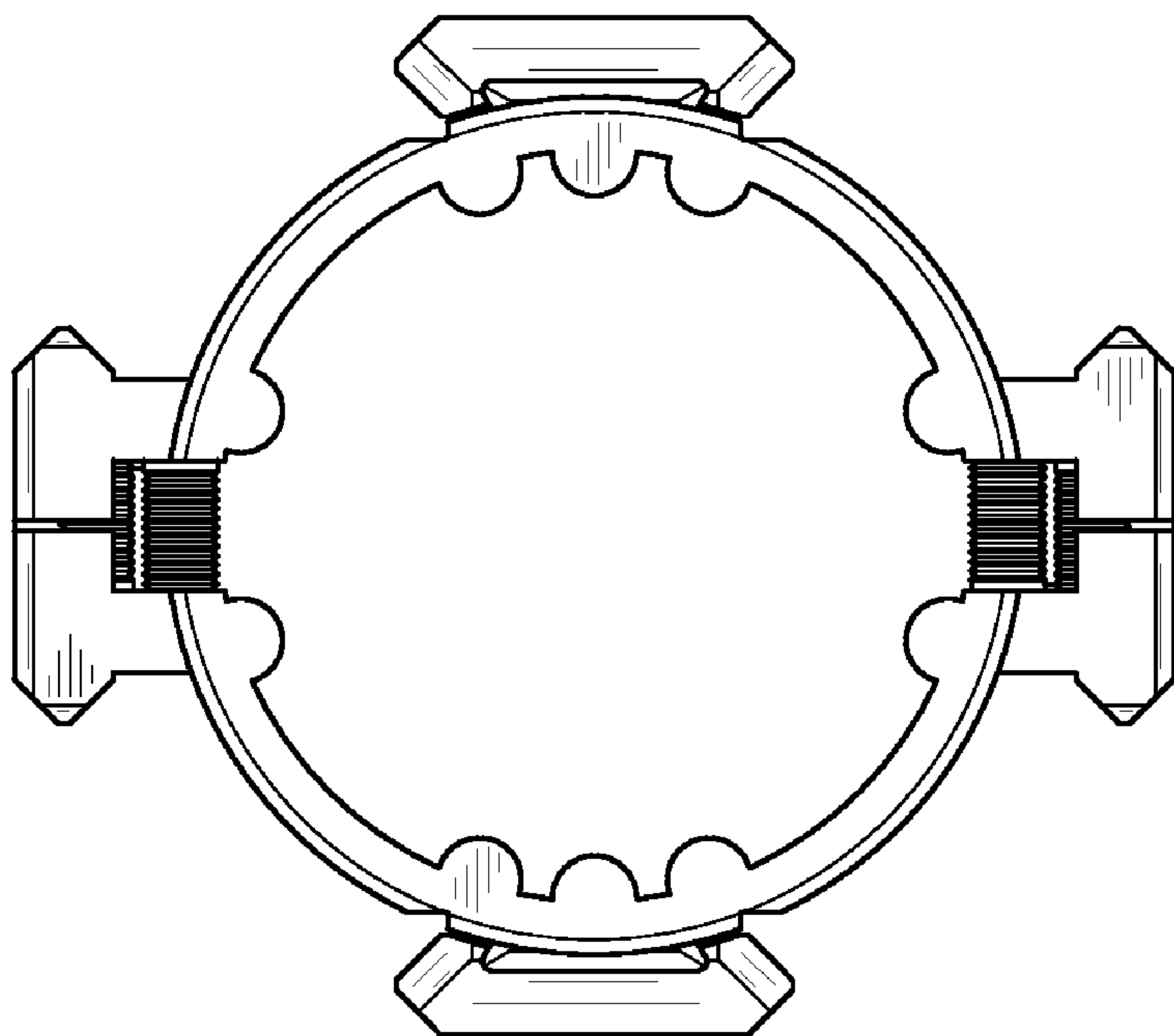


FIG. 2

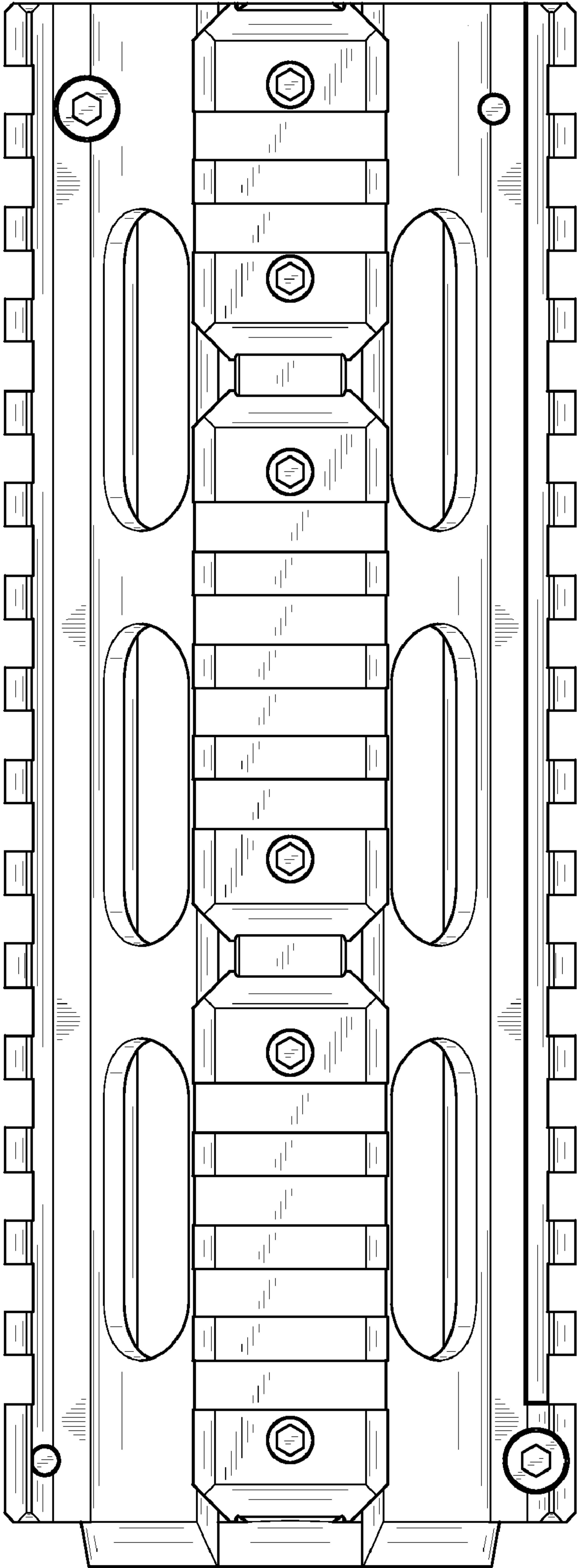


FIG. 4

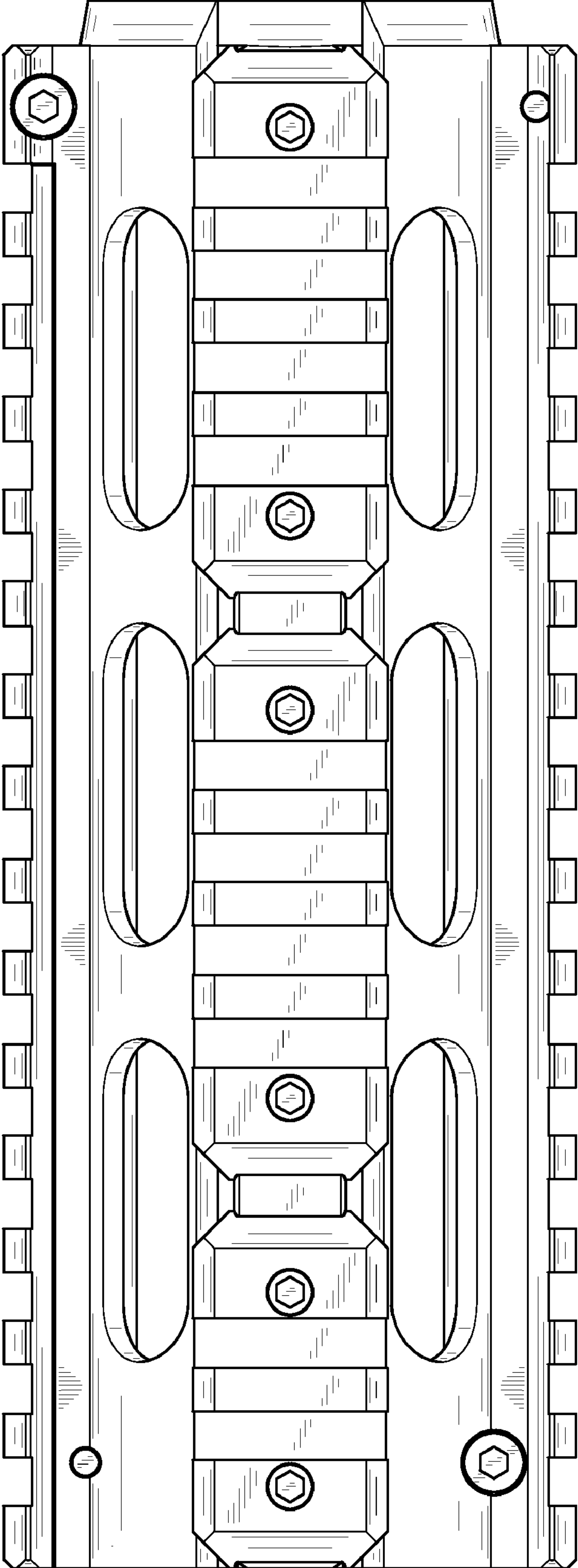


FIG. 5

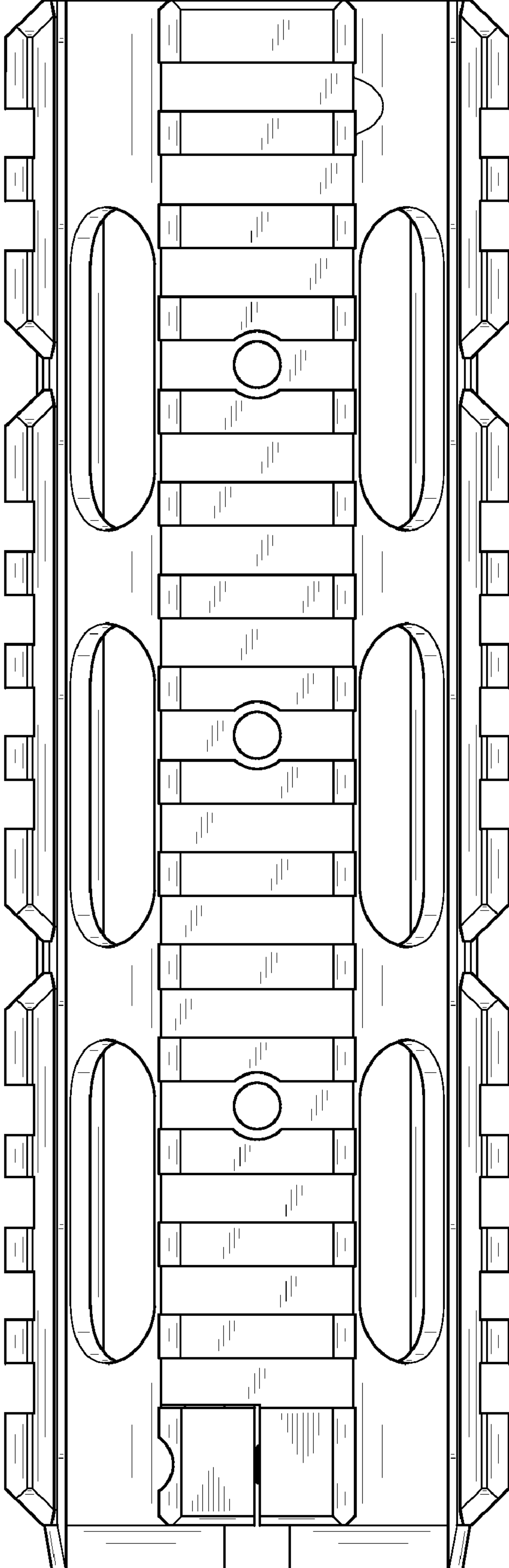


FIG. 6

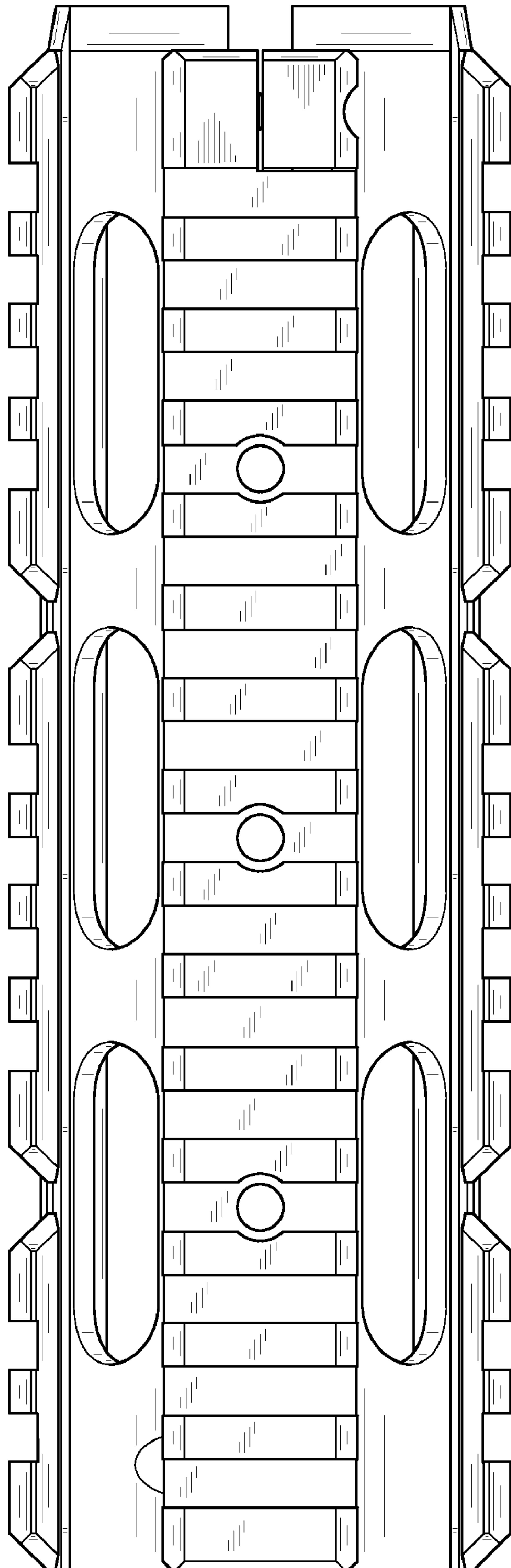


FIG. 7