

US00D639374S

(12) **United States Design Patent**
Vick

(10) **Patent No.:** **US D639,374 S**

(45) **Date of Patent:** **** Jun. 7, 2011**

(54) **PROTECTOR FOR A LIFE VEST**

Primary Examiner — Zenia I Bennett

(76) Inventor: **George D. Vick**, Charleston, SC (US)

(**) Term: **14 Years**

(21) Appl. No.: **29/315,236**

(22) Filed: **Jun. 5, 2009**

(51) **LOC (9) Cl.** **29-02**

(52) **U.S. Cl.** **D21/805**

(58) **Field of Classification Search** D21/804,
D21/805; D29/100, 101.1, 101, 4; 2/456,
2/458, 467, 463; 441/88, 89, 106, 108, 111,
441/114–117; D6/596, 601, 604

See application file for complete search history.

(56) **References Cited**

U.S. PATENT DOCUMENTS

D33,763	S *	12/1900	Meinecke	D6/604
1,468,072	A *	9/1923	Ogle	128/889
3,528,116	A *	9/1970	Fenar	441/130
D255,966	S *	7/1980	Stadel	D6/604
D294,159	S *	2/1988	Foresman	D21/803
D311,808	S *	11/1990	Chvilicek et al.	D29/101.2
D325,114	S *	4/1992	Reed	D2/862
5,702,153	A *	12/1997	Pliska	297/256.16
6,820,938	B2 *	11/2004	Barrett	297/452.41
7,266,852	B2 *	9/2007	Davis	5/81.1 HS

* cited by examiner

(57) **CLAIM**

The ornamental design for a protector for a life vest, as shown and described.

DESCRIPTION

FIG. 1 is a front perspective view of a protector for a life vest, showing my new design in a partially open position for receiving a personal flotation device;

FIG. 2 is a front perspective view thereof;

FIG. 3 is a rear end elevation view thereof;

FIG. 4 is a left side elevation view thereof;

FIG. 5 is a top plan view thereof;

FIG. 6 is a right side elevation view thereof;

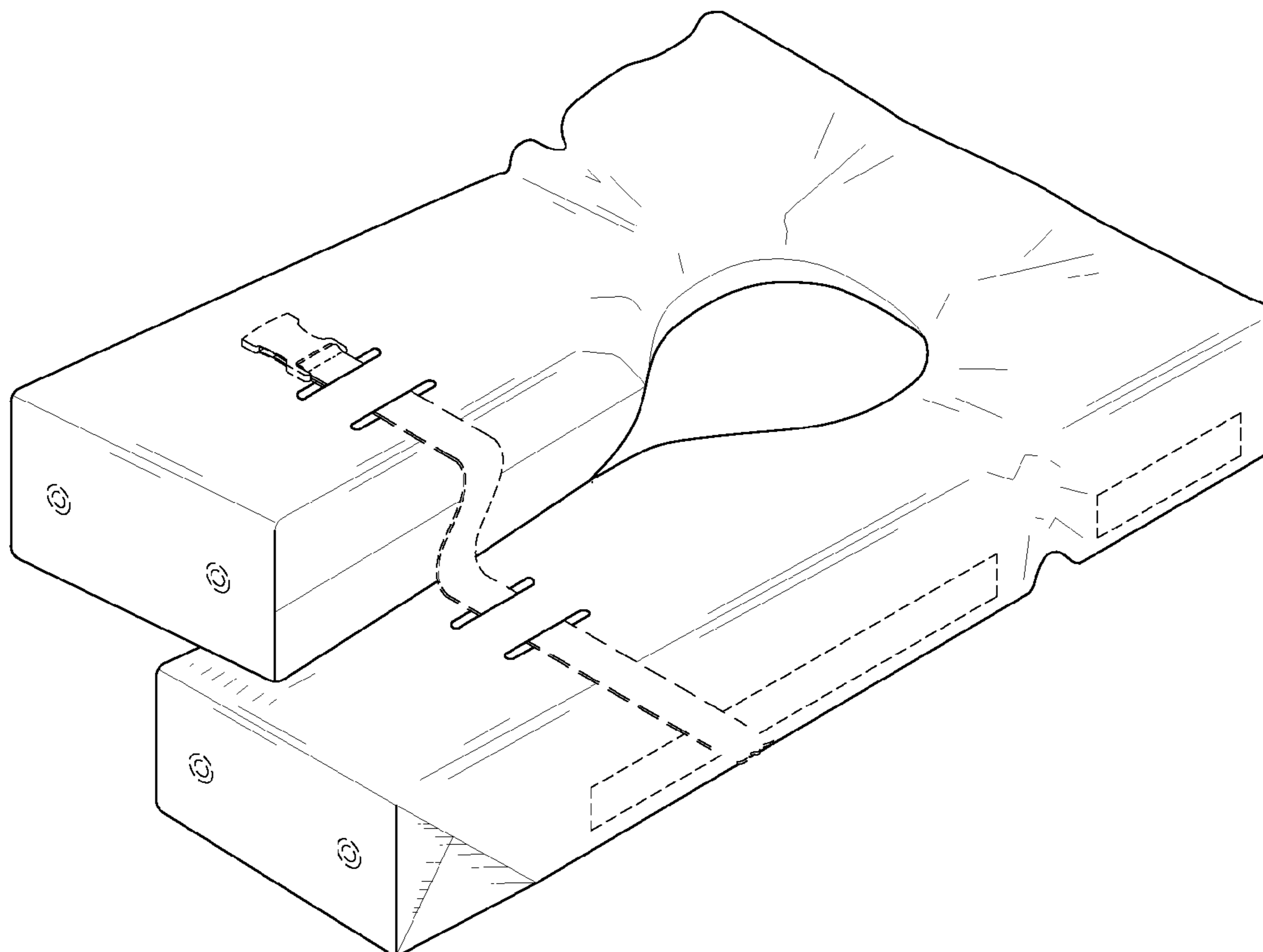
FIG. 7 is a front end elevation view thereof;

FIG. 8 is a bottom plan view thereof; and,

FIG. 9 is a perspective view thereof, showing an inside of a tail portion of the closed protector for a life vest.

The five rectangles drawn in broken lines on the top, left, and right sides of the protector for a life vest represent stitching. The broken line showing of a personal flotation device with its strap and buckle, as well as four grommets in FIGS. 7 and 9, is for illustrative purposes only and forms no part of the claimed design or of a specified embodiment thereof.

1 Claim, 5 Drawing Sheets



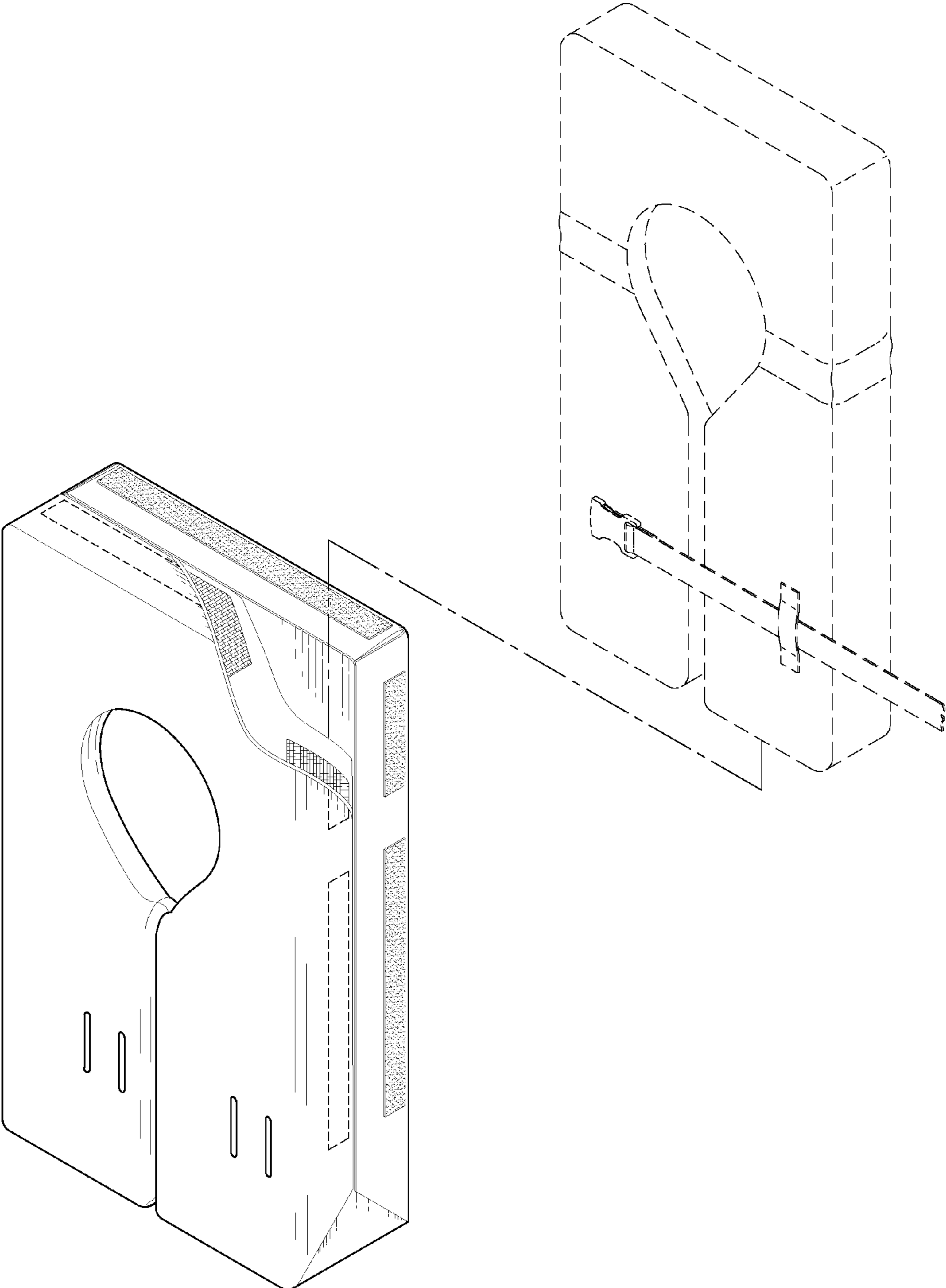


Fig. 1

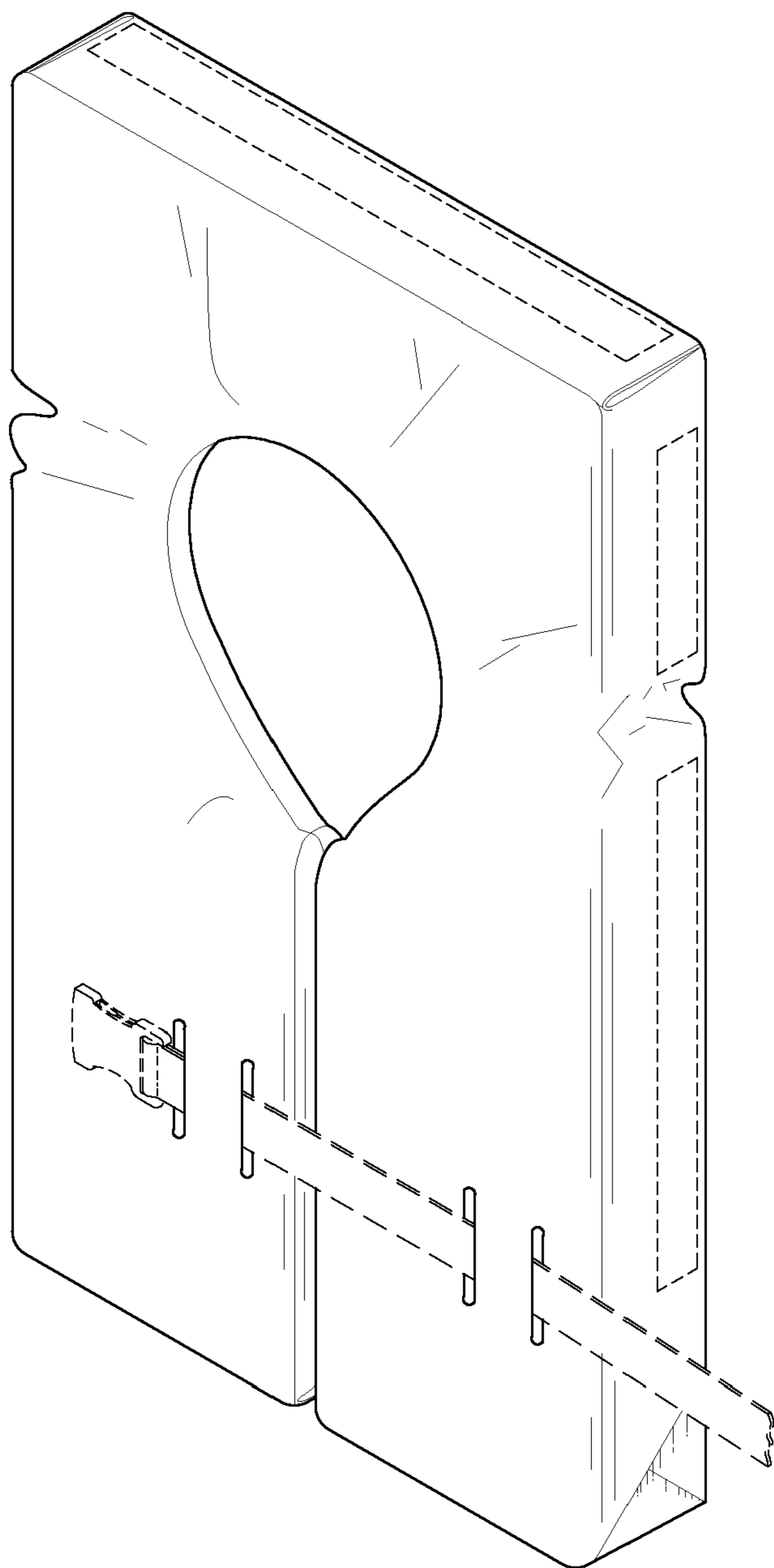


Fig. 2

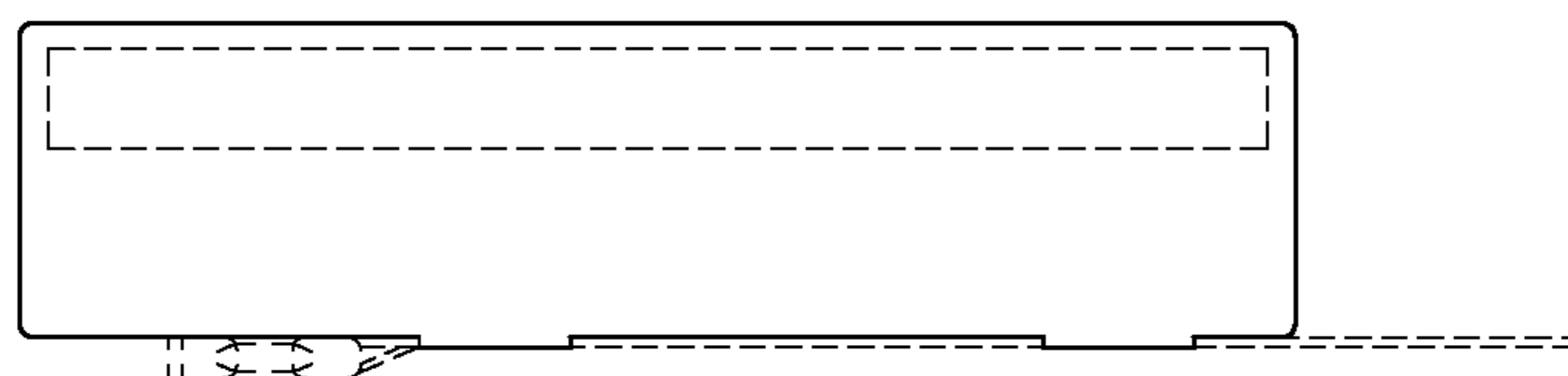


Fig. 3

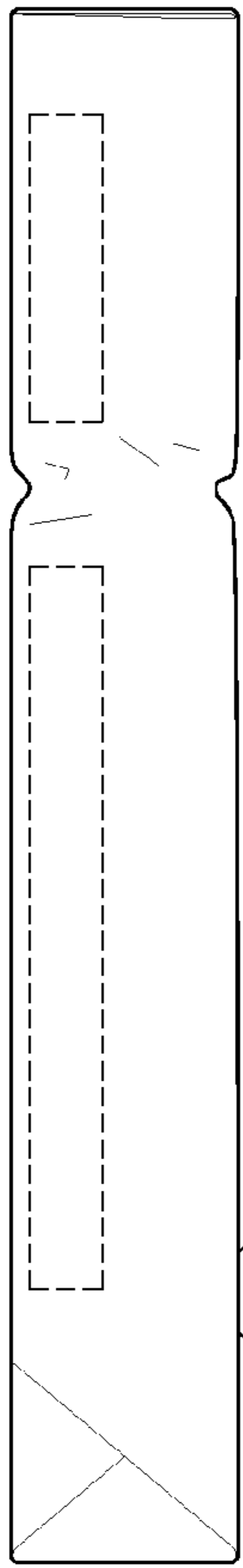


Fig. 4

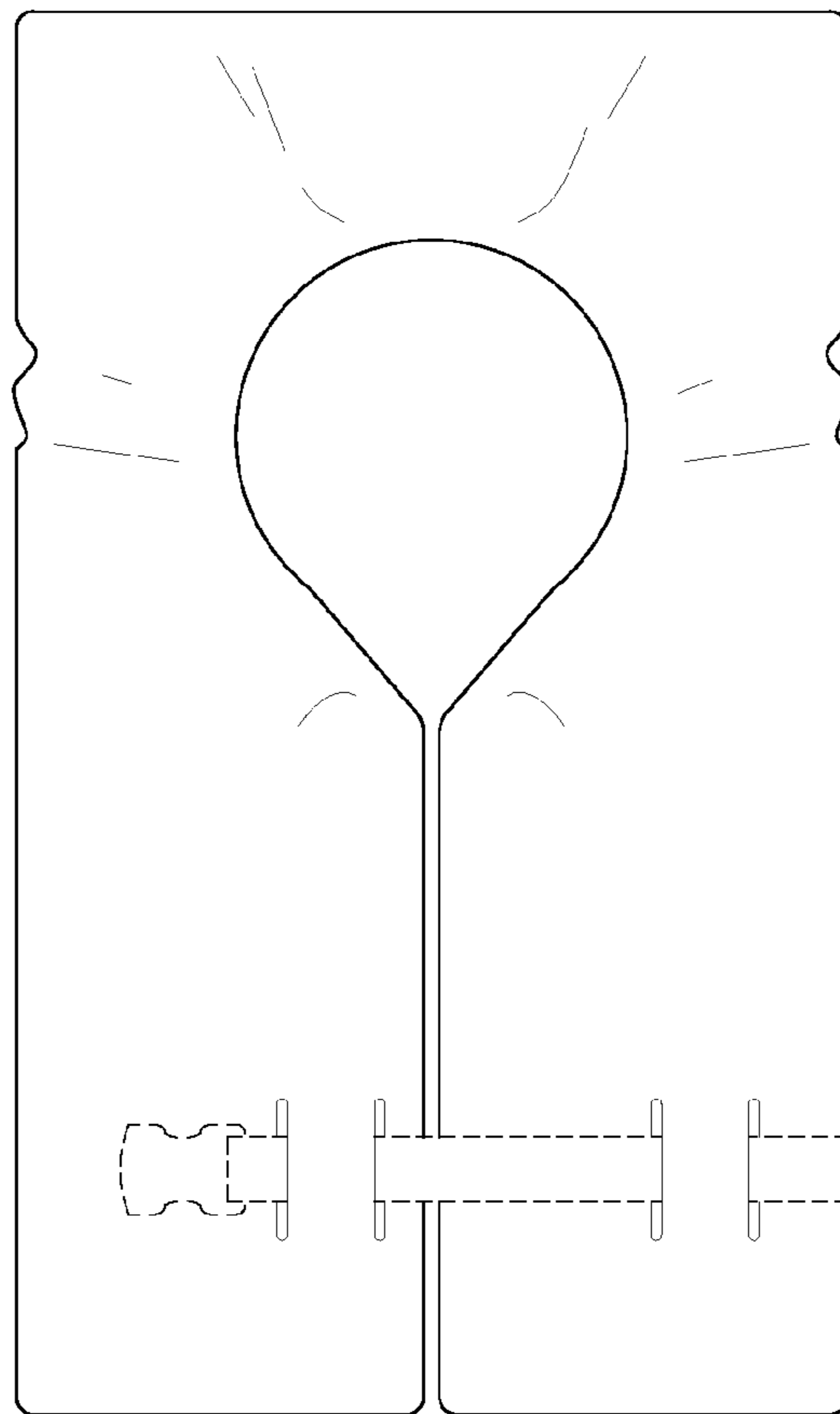


Fig. 5



Fig. 6

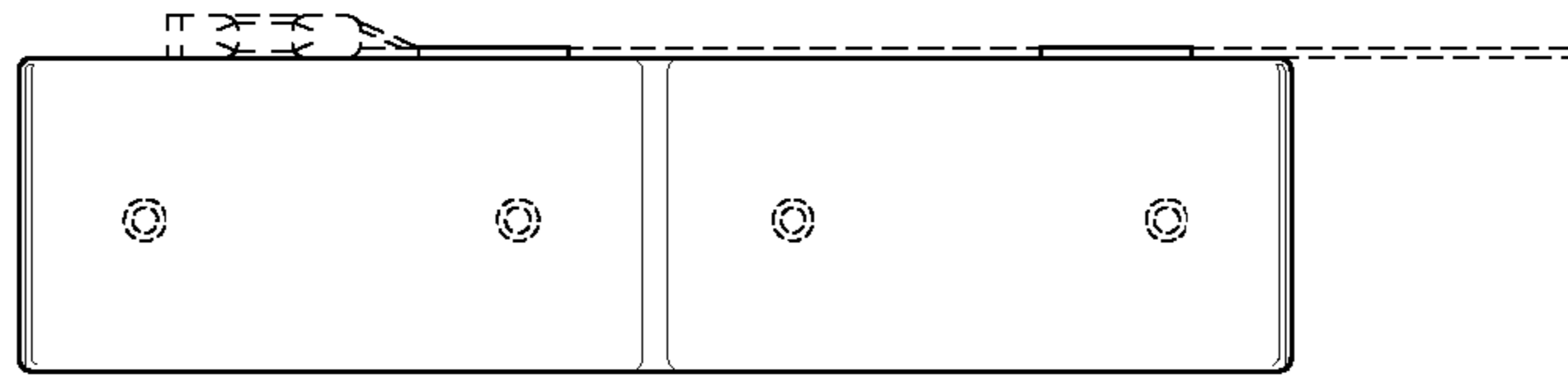


Fig. 7

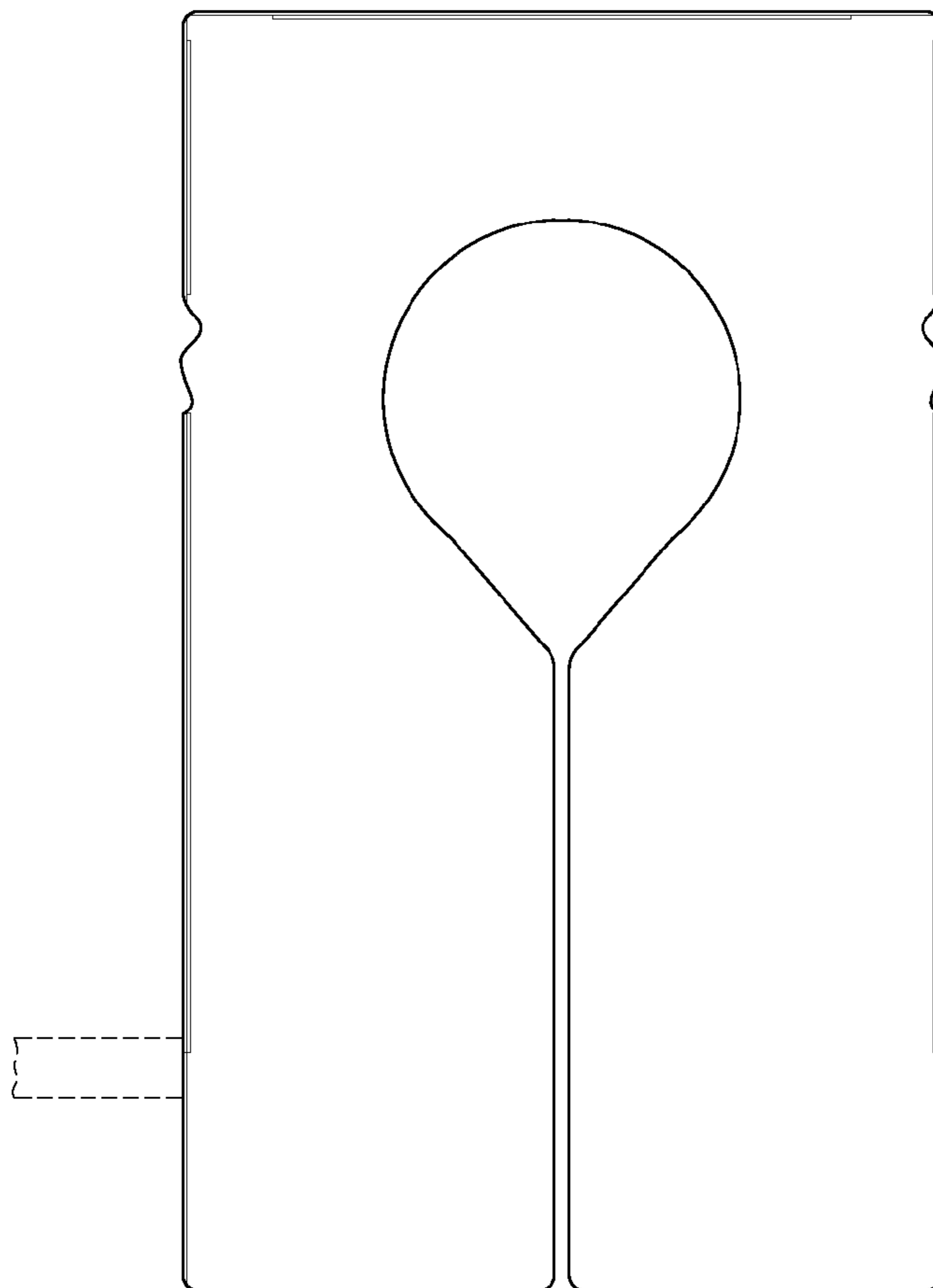


Fig. 8

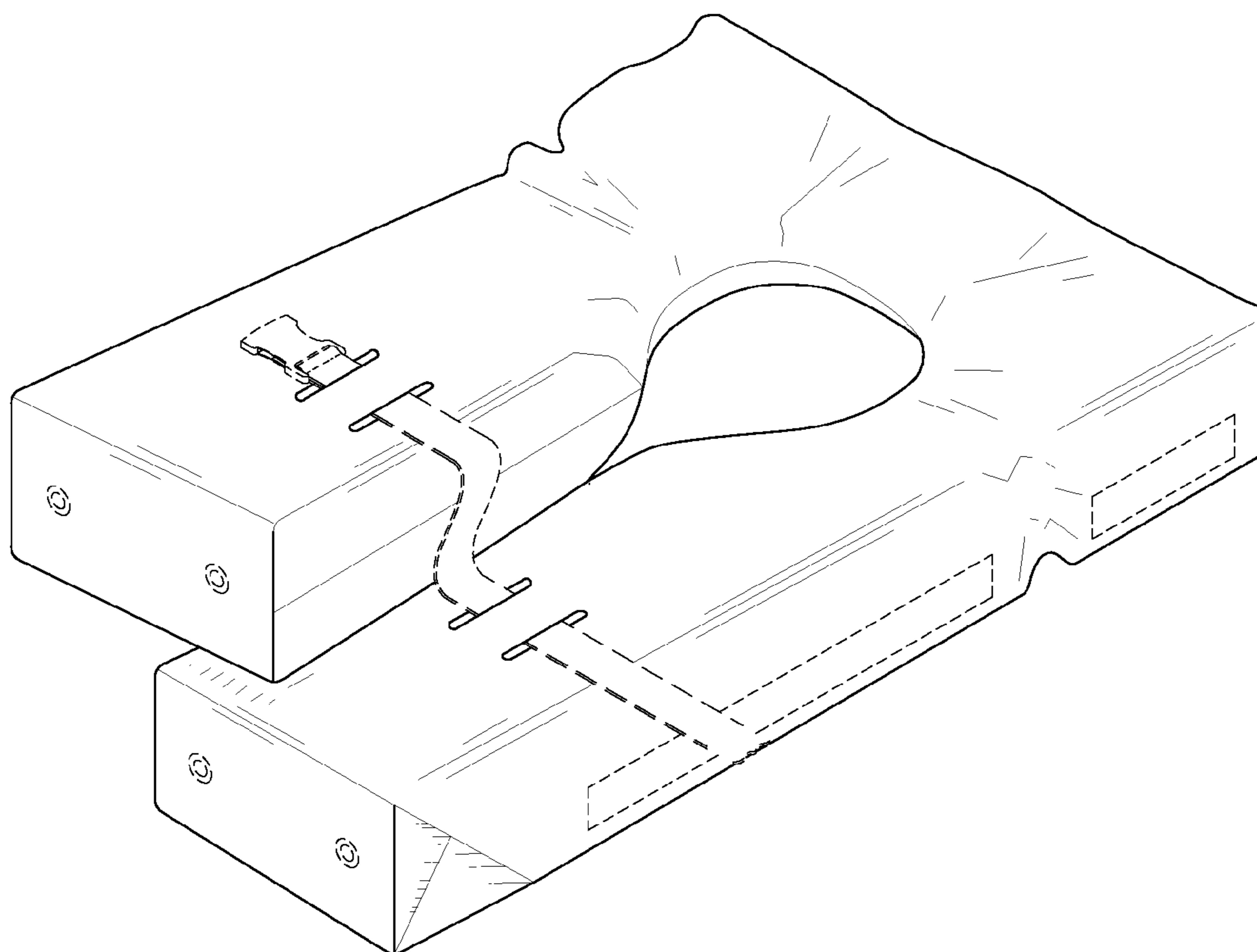


Fig. 9