



US00D639373S

(12) **United States Design Patent**
Fortier

(10) **Patent No.:** **US D639,373 S**

(45) **Date of Patent:** **** Jun. 7, 2011**

(54) **TEE MARKER**

(75) Inventor: **Gilles Fortier**, Laval (CA)

(73) Assignee: **GF Developpement Inc.**, Laval, Quebec (CA)

(**) Term: **14 Years**

(21) Appl. No.: **29/366,561**

(22) Filed: **Jul. 27, 2010**

(51) **LOC (9) Cl.** **21-02**

(52) **U.S. Cl.** **D21/794**

(58) **Field of Classification Search** D21/789,
D21/794; 473/150, 405; 150/503; 434/153
See application file for complete search history.

(56) **References Cited**

U.S. PATENT DOCUMENTS

1,832,947	A *	11/1931	Sullivan et al.	473/150
D312,292	S *	11/1990	Retacco et al.	D21/794
5,029,855	A *	7/1991	Jamieson et al.	473/405
5,464,219	A *	11/1995	Bradford et al.	473/150
D367,907	S *	3/1996	Sandstrom et al.	D21/794
D384,386	S *	9/1997	Eakins	D21/794
D403,390	S *	12/1998	Lenz	D21/794
D407,129	S *	3/1999	Bernatz	D21/794

D426,278	S *	6/2000	Parrella et al.	D21/794
D444,198	S *	6/2001	Monk et al.	D21/794
D462,409	S *	9/2002	Arnold	D21/794
D484,212	S *	12/2003	Weeks	D21/794

* cited by examiner

Primary Examiner — Mitchell Siegel

(74) *Attorney, Agent, or Firm* — Ogilvy Renault LLP

(57) **CLAIM**

The ornamental design for a tee marker, as shown and described.

DESCRIPTION

FIG. 1 is a perspective view of the tee marker of the present design;

FIG. 2 is a front view of the tee marker of FIG. 1; the back view being a mirror image of the front side;

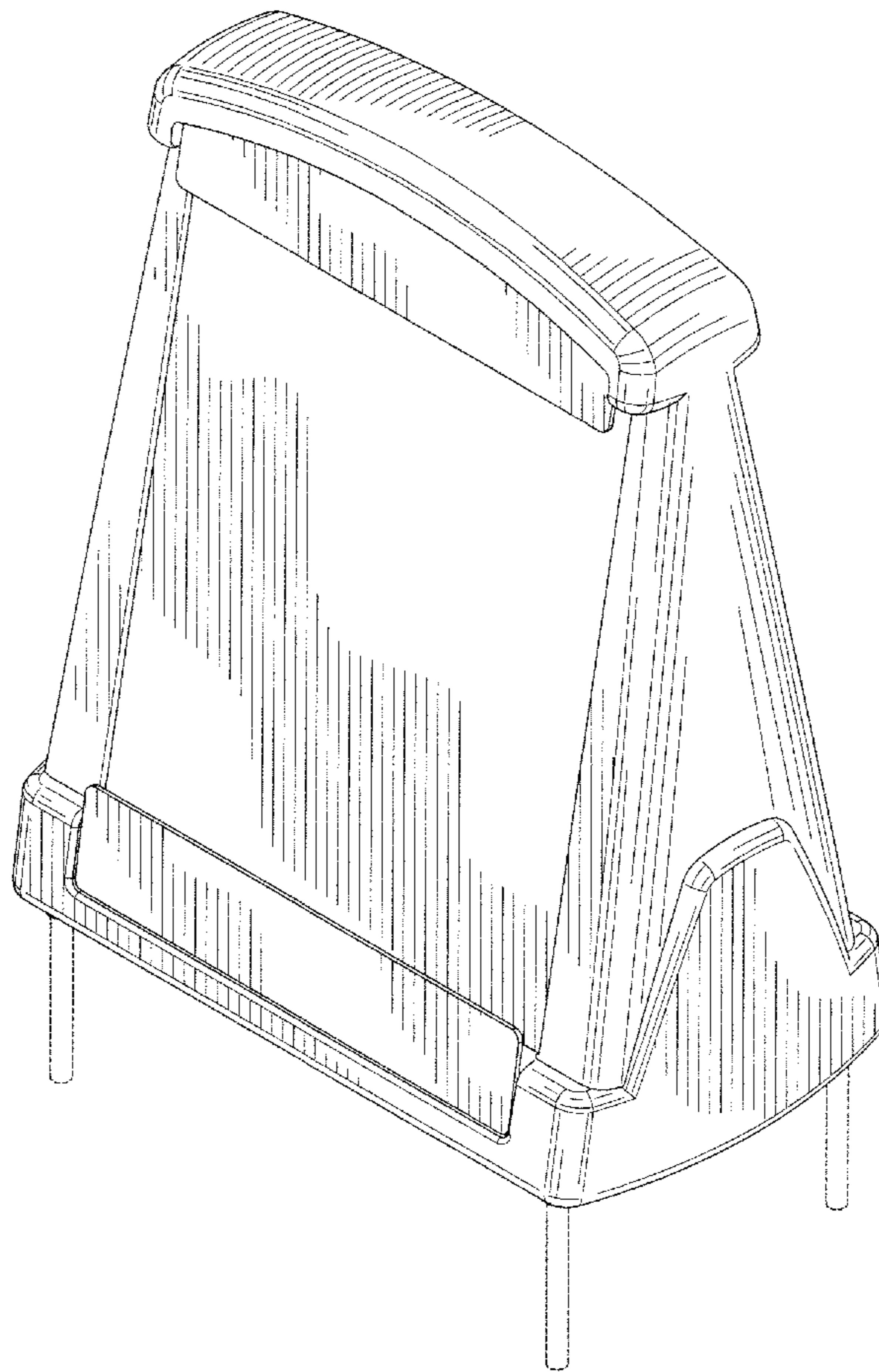
FIG. 3 is a right side elevation view of the tee marker; the left side elevation view being a mirror image of the right side;

FIG. 4 is a top view of the tee marker; and,

FIG. 5 is a bottom view of the tee marker.

The broken lines showing the anchoring elements of the tee marker are for illustrative purposes only and form no part of the claimed design.

1 Claim, 5 Drawing Sheets



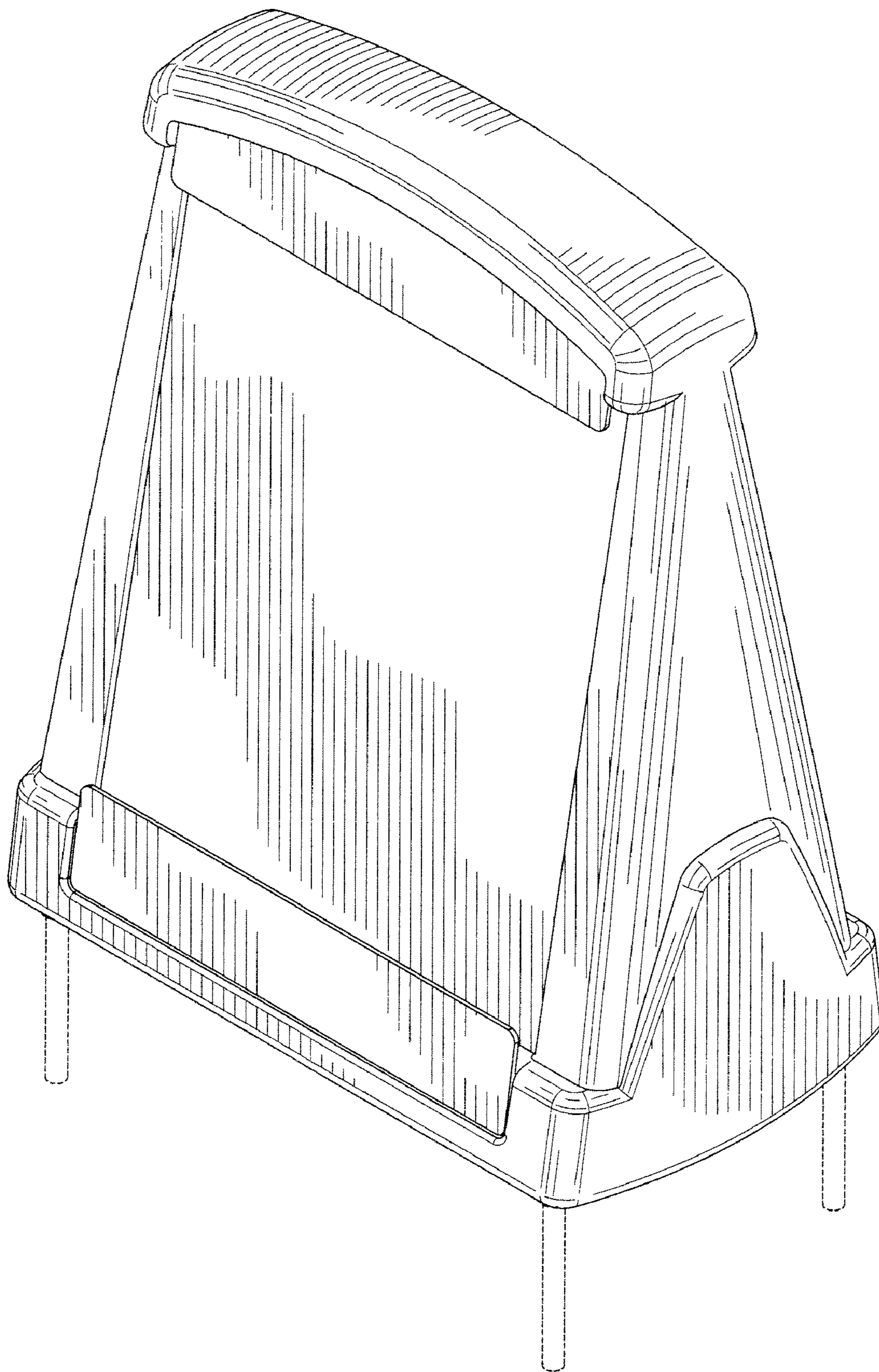


Fig. 1

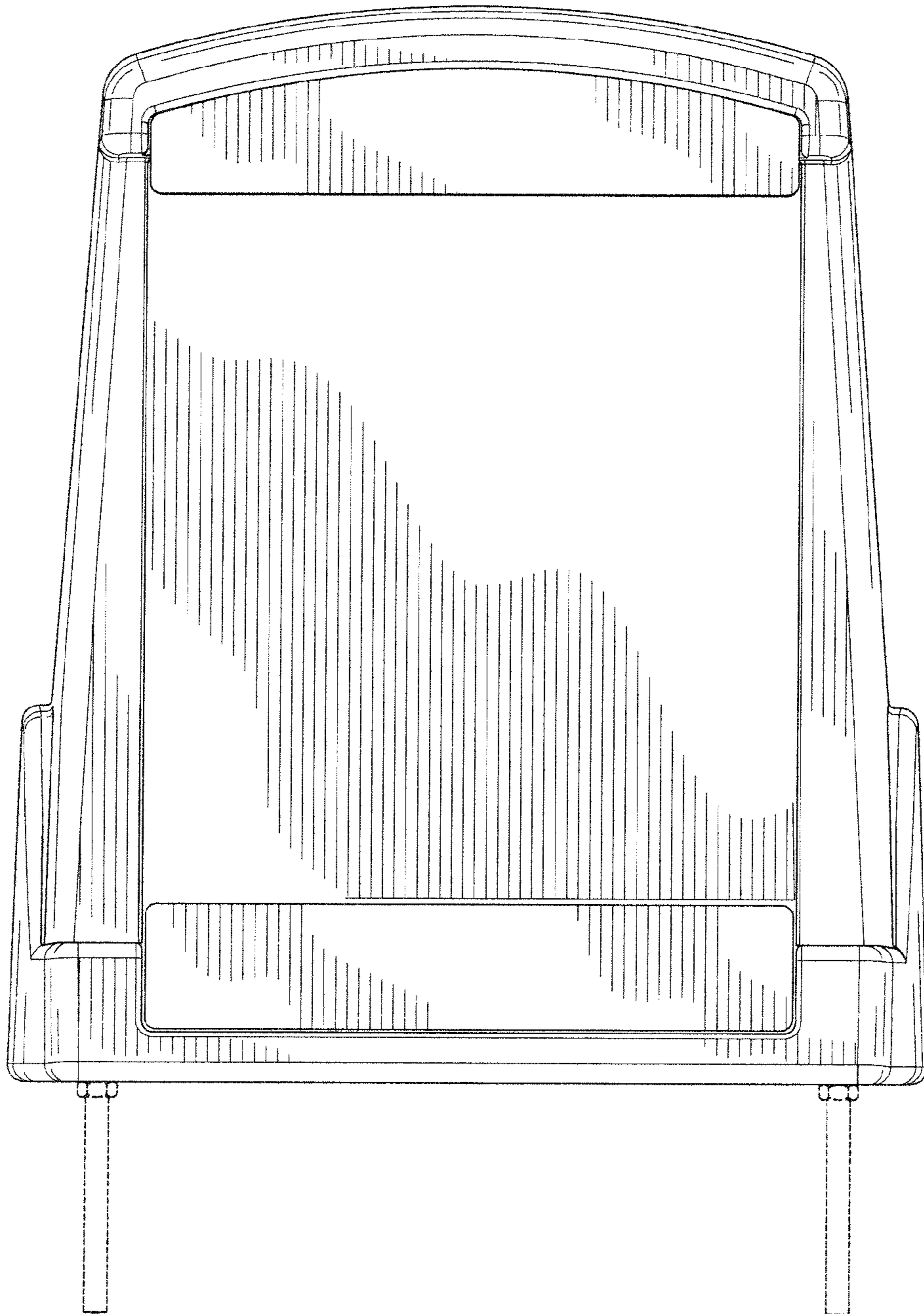


Fig. 2

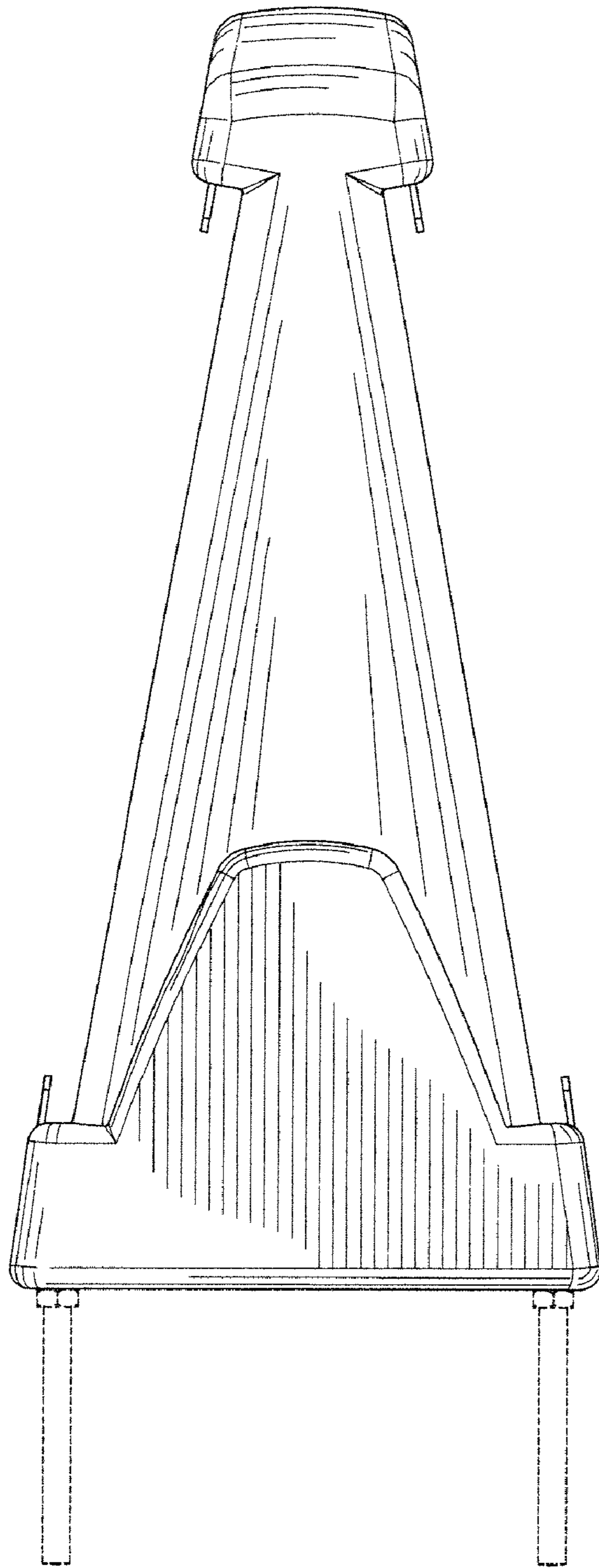


Fig. 3

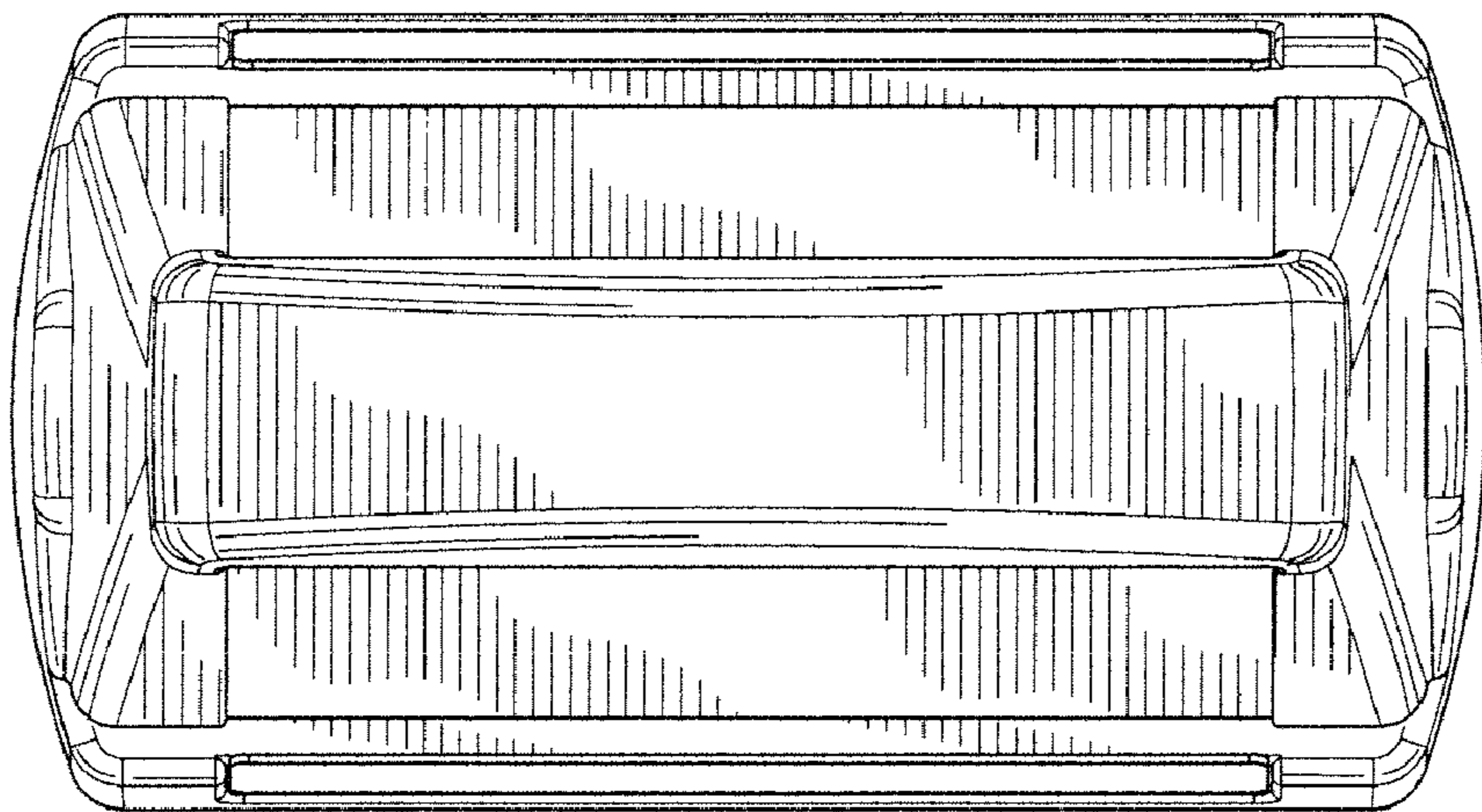


Fig. 4

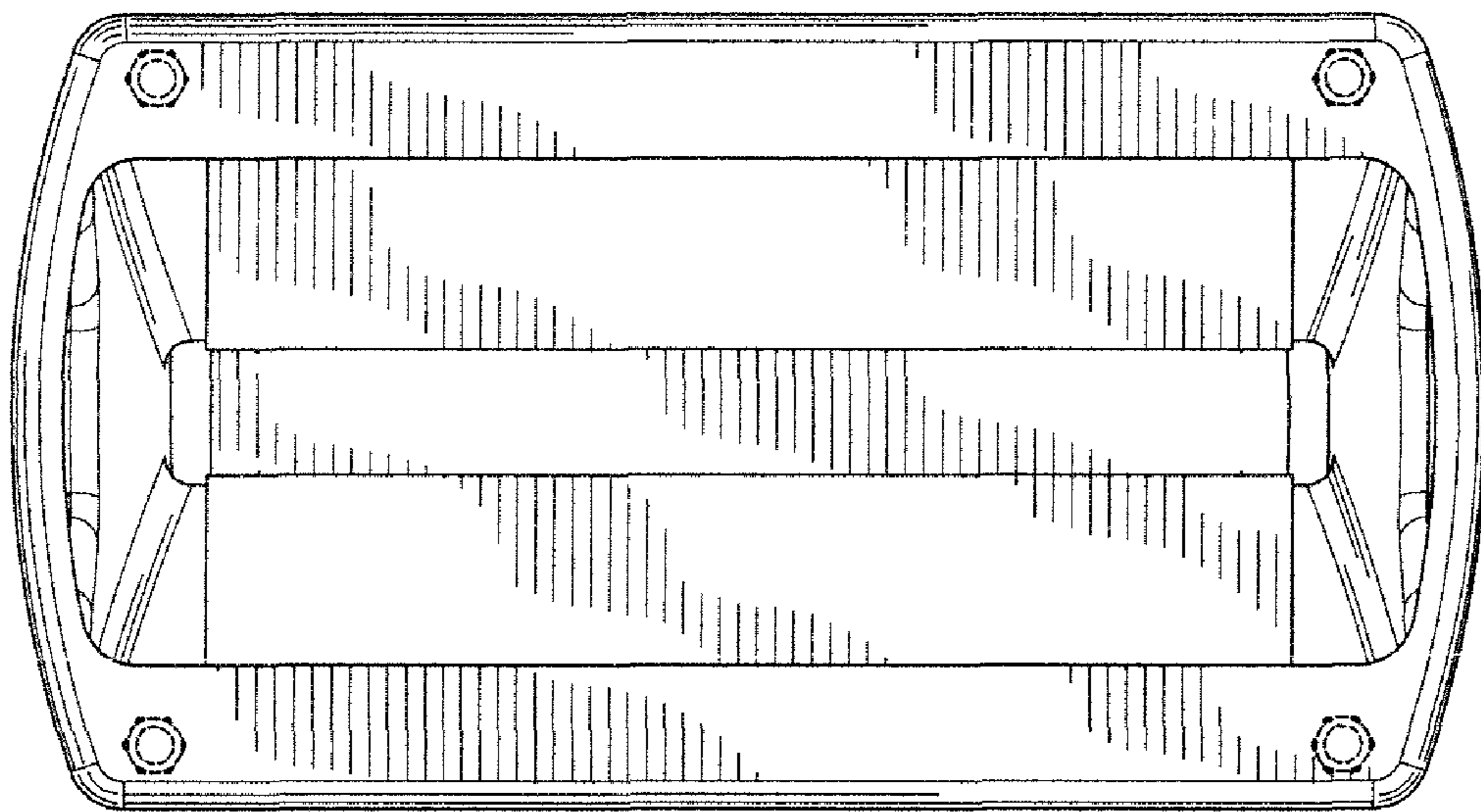


Fig. 5