



US00D639369S

(12) **United States Design Patent**  
**Miyamichi**

(10) **Patent No.:** **US D639,369 S**

(45) **Date of Patent:** **\*\* Jun. 7, 2011**

(54) **GOLF PUTTER HEAD**

(75) Inventor: **Saburo Miyamichi**, Suita (JP)

(73) Assignee: **M-System Co., Ltd.**, Osaka (JP)

(\*\*) Term: **14 Years**

(21) Appl. No.: **29/363,824**

(22) Filed: **Jun. 15, 2010**

(30) **Foreign Application Priority Data**

Dec. 16, 2009 (JP) ..... 2009-029213

(51) **LOC (9) Cl.** ..... **21-02**

(52) **U.S. Cl.** ..... **D21/759**

(58) **Field of Classification Search** ..... D21/736-746,  
D21/759; 473/324-331, 251-256, 340-341  
See application file for complete search history.

(56) **References Cited**

**U.S. PATENT DOCUMENTS**

1,289,553	A	12/1918	Sanders	
1,337,958	A	4/1920	Reach	
D55,278	S *	5/1920	Kraeuter	D21/750
D57,980	S *	5/1921	Kraeuter	D21/741
D63,284	S *	11/1923	Challis	D21/736
4,413,825	A	11/1983	Sasse	
4,529,203	A	7/1985	Ribaudo	
D411,275	S *	6/1999	Bottema et al.	D21/759
D415,809	S *	10/1999	Bottema et al.	D21/759
6,089,993	A	7/2000	Woodward et al.	
D429,302	S *	8/2000	Antonious	D21/759
D429,786	S *	8/2000	Antonious	D21/759
D430,914	S *	9/2000	Antonious	D21/759
D431,853	S *	10/2000	Antonious	D21/759
D433,087	S *	10/2000	Antonious	D21/759
D434,096	S *	11/2000	Antonious	D21/759
D444,835	S *	7/2001	Wahl et al.	D21/759
6,257,994	B1 *	7/2001	Antonious	473/331
D532,070	S *	11/2006	Solari	D21/759
D594,921	S *	6/2009	Bettinardi	D21/759

D605,242	S	12/2009	Franklin et al.
2007/0243943	A1	10/2007	Inouye et al.
2007/0243949	A1	10/2007	Solari
2008/0132351	A1	6/2008	Ban et al.

**FOREIGN PATENT DOCUMENTS**

JP	52-144055	11/1977
JP	2001-513691	9/2001
JP	3133459	7/2007

\* cited by examiner

*Primary Examiner* — Mitchell I Siegel

(74) *Attorney, Agent, or Firm* — Kagan Binder, PLLC

(57) **CLAIM**

The ornamental design for a golf putter head, as shown and described.

**DESCRIPTION**

FIG. 1 is a front perspective view of a golf putter head of the present design.

FIG. 2 is a front view of the golf putter head of FIG. 1.

FIG. 3 is a back view of the golf putter head of FIG. 1.

FIG. 4 is a top view of the golf putter head of FIG. 1.

FIG. 5 is a bottom view of the golf putter head of FIG. 1.

FIG. 6 is a right side view of the golf putter head of FIG. 1.

FIG. 7 is a left side view of the golf putter head of FIG. 1.

FIG. 8 is an enlarged view of the portion of the front view of the golf putter head of FIG. 2 identified with reference numeral 8.

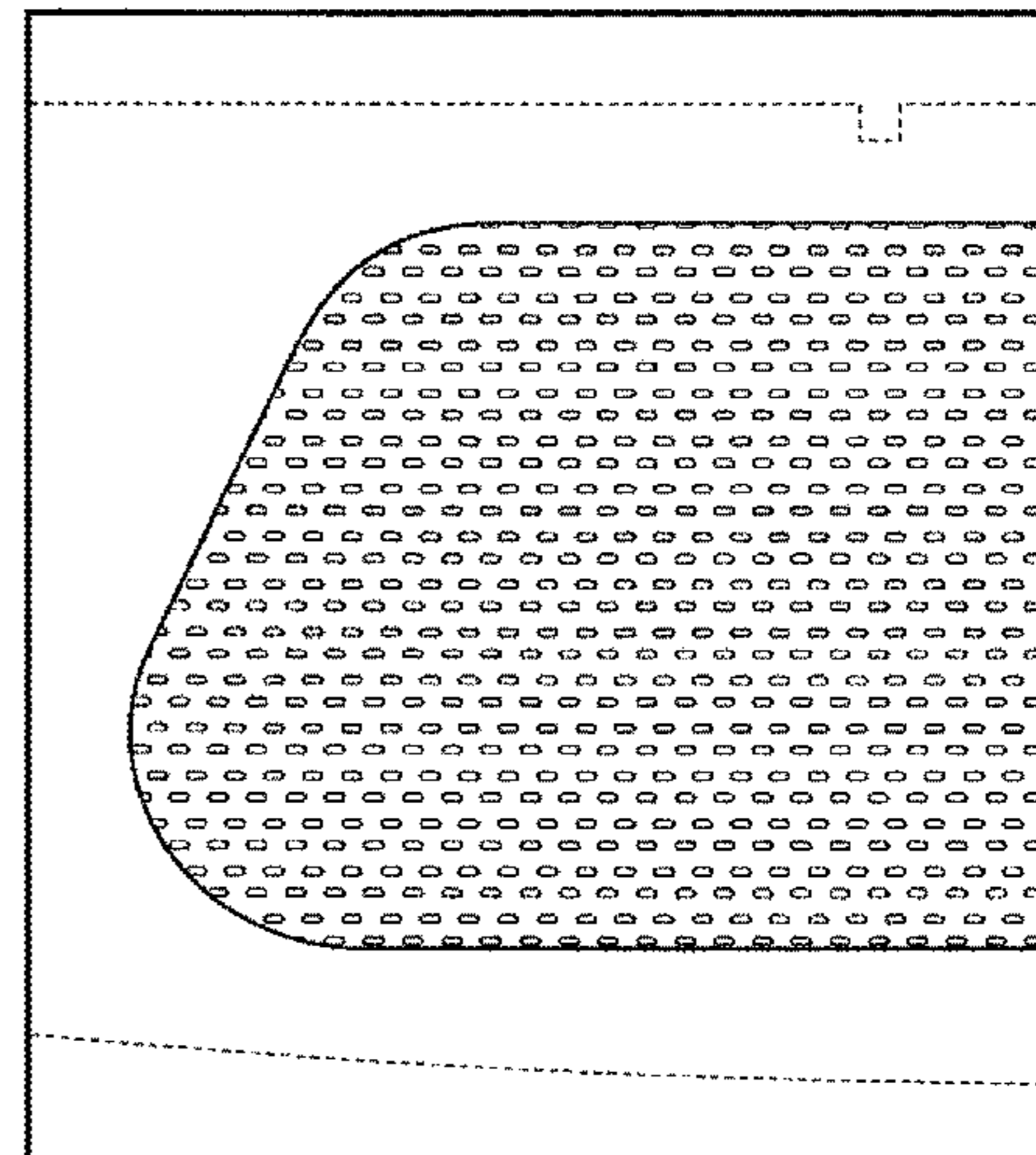
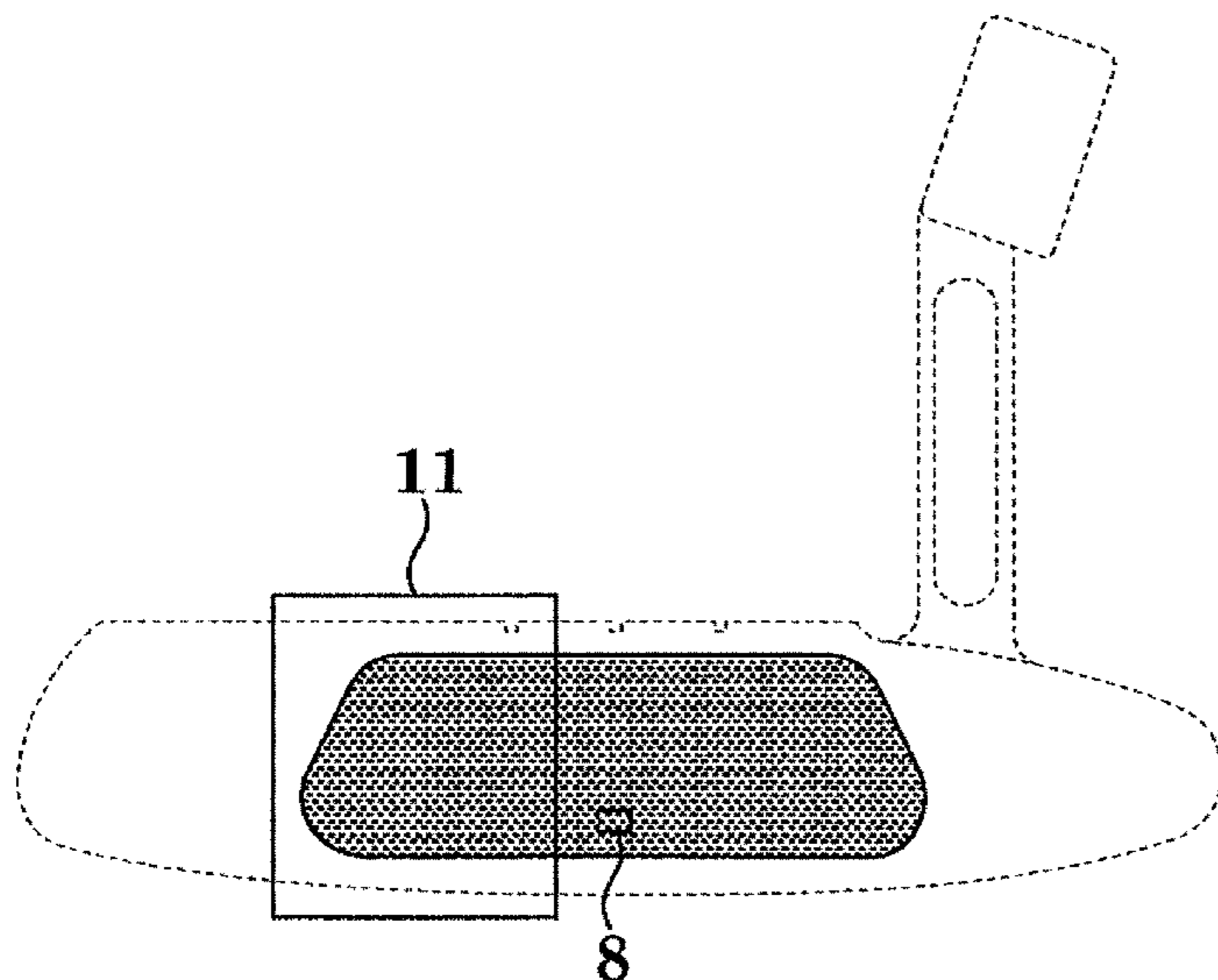
FIG. 9 is a cross-section view taken along the line 9—9 as shown in FIG. 8.

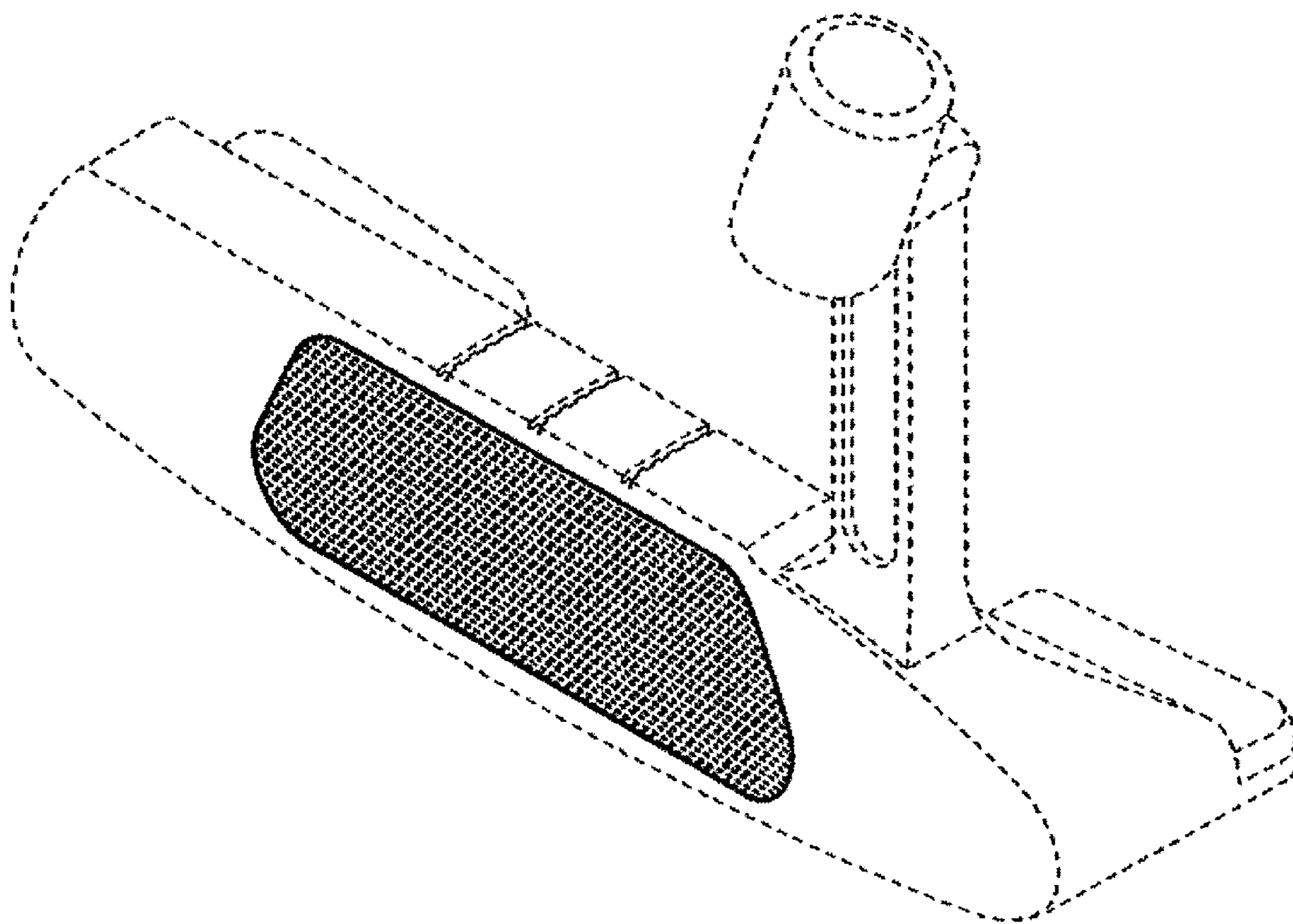
FIG. 10 is a cross-section view taken along the line 10—10 as shown in FIG. 8; and,

FIG. 11 is an enlarged view of the portion of the front view of the golf putter head of FIG. 2 identified with reference numeral 11.

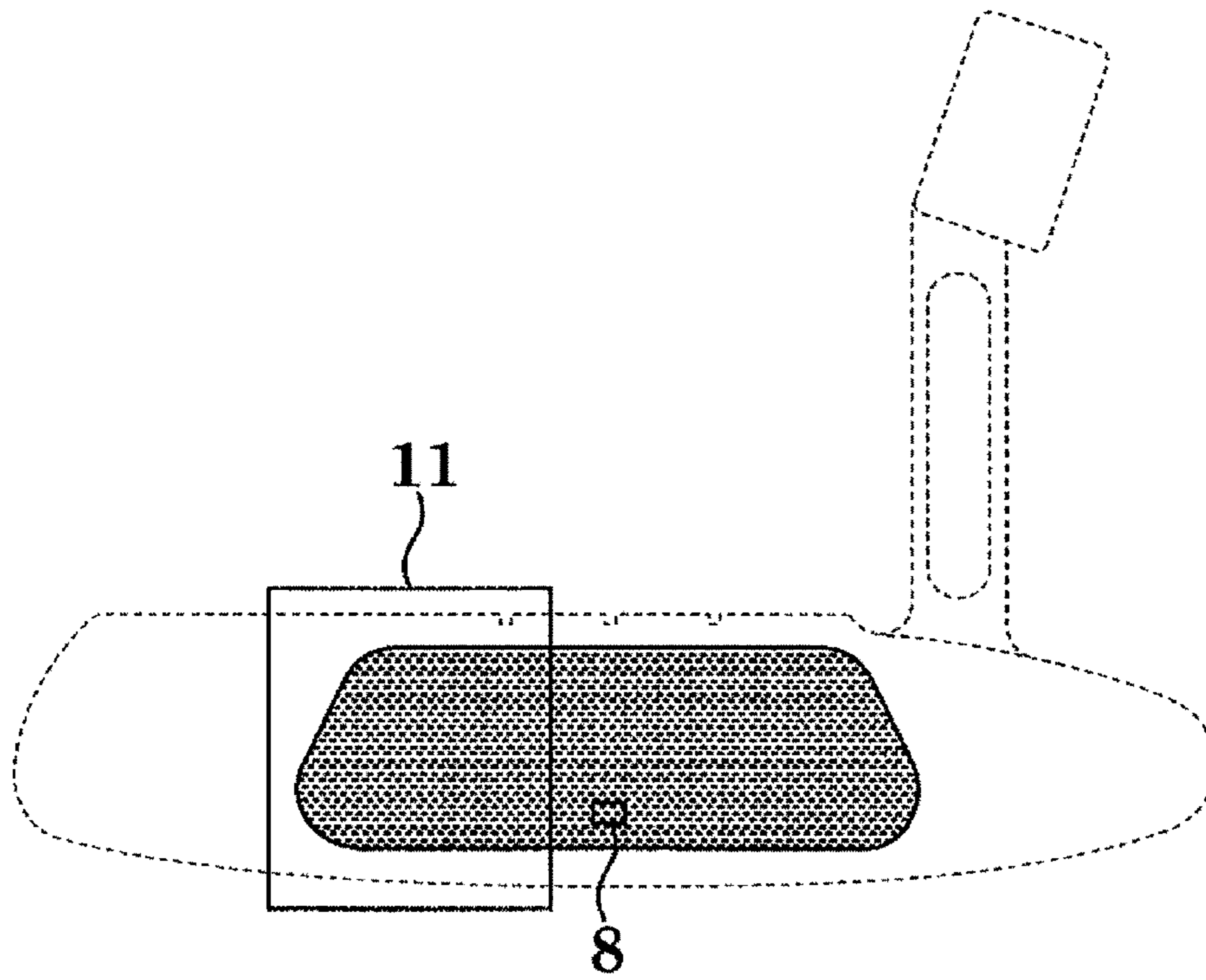
The broken line portions of the golf putter head shown in FIGS. 1-11 are illustrative and form no part of the claimed design.

**1 Claim, 6 Drawing Sheets**

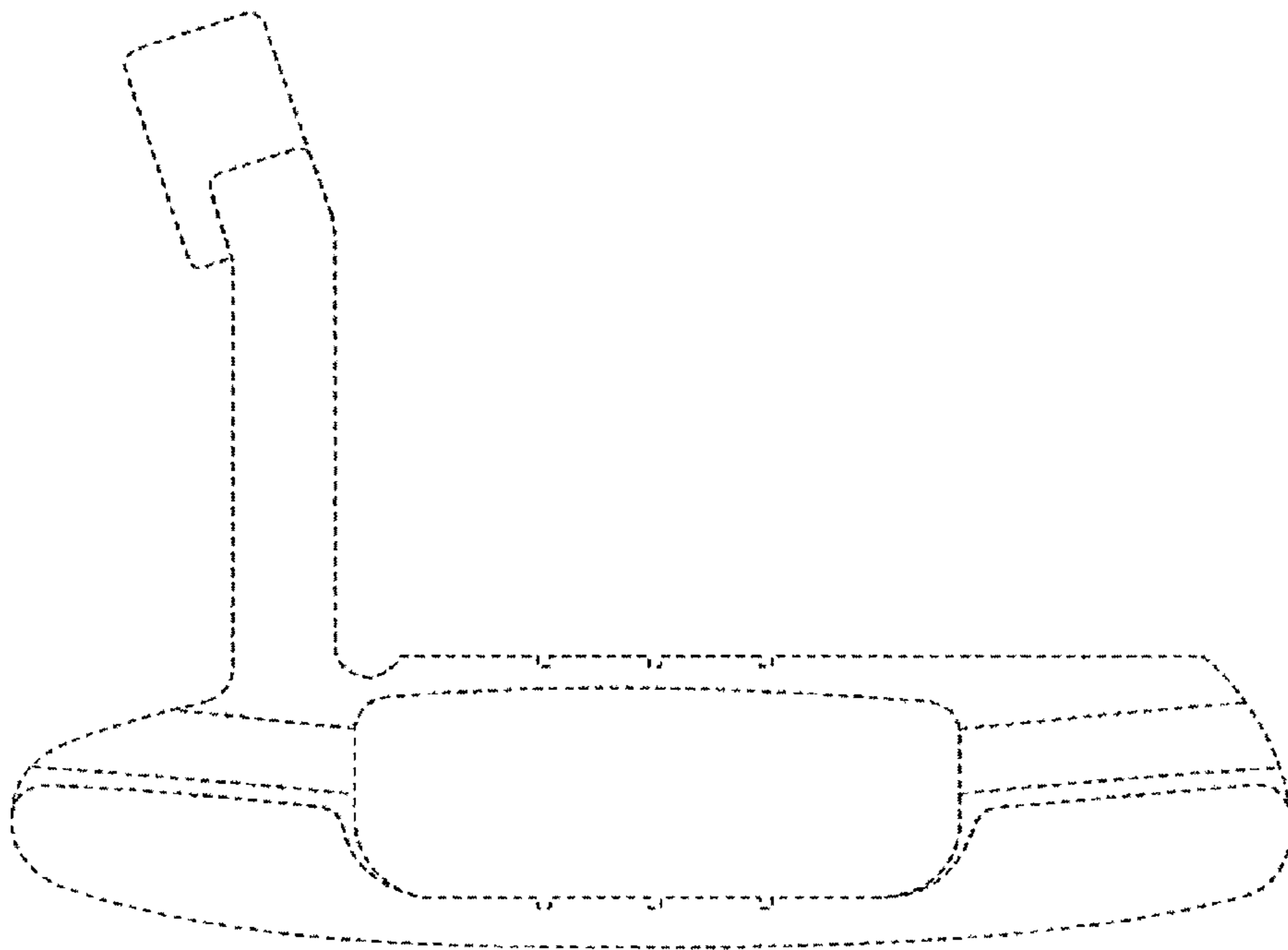




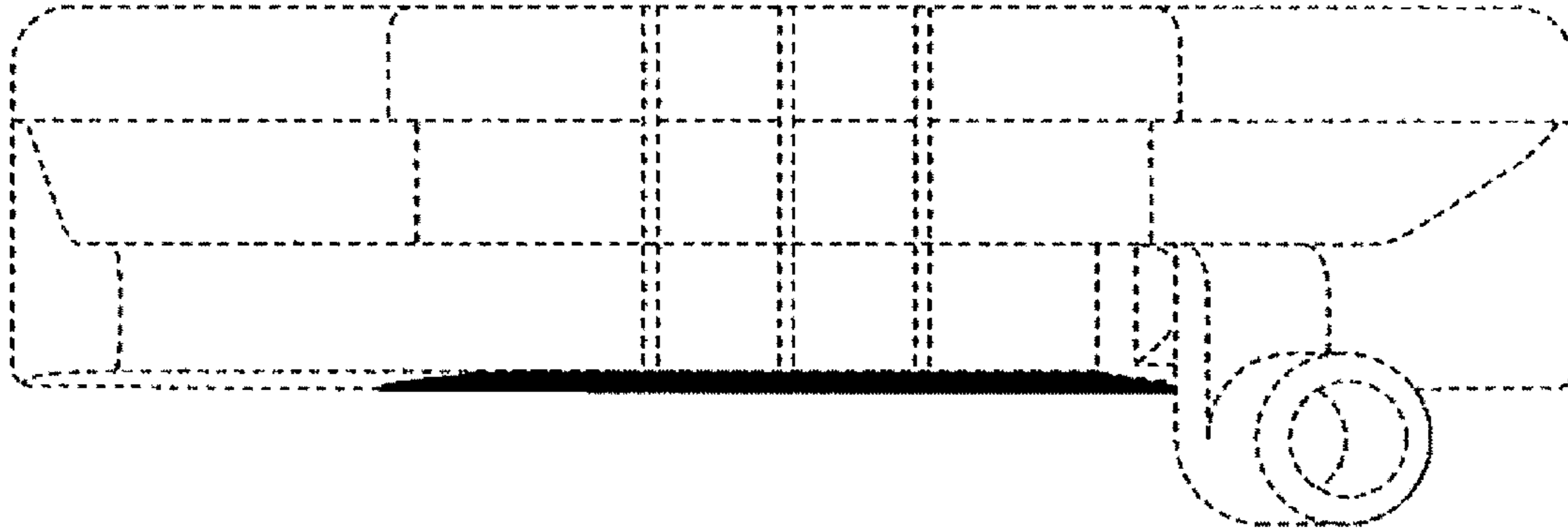
**Fig. 1**



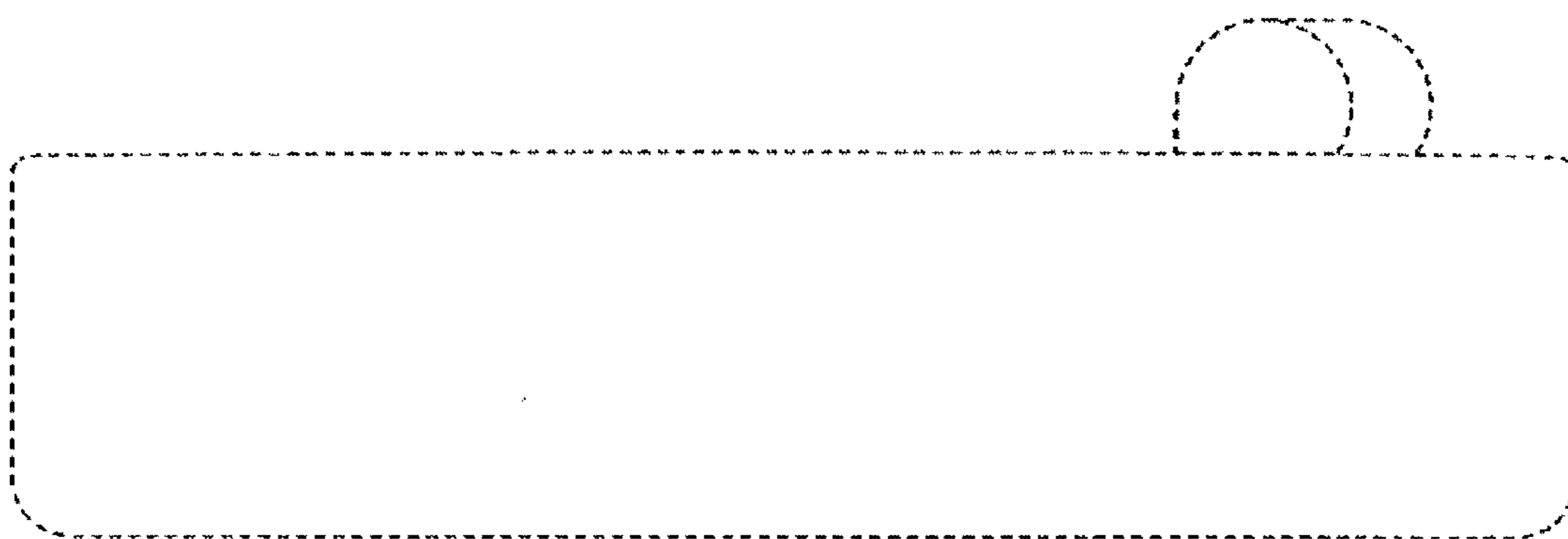
**Fig. 2**



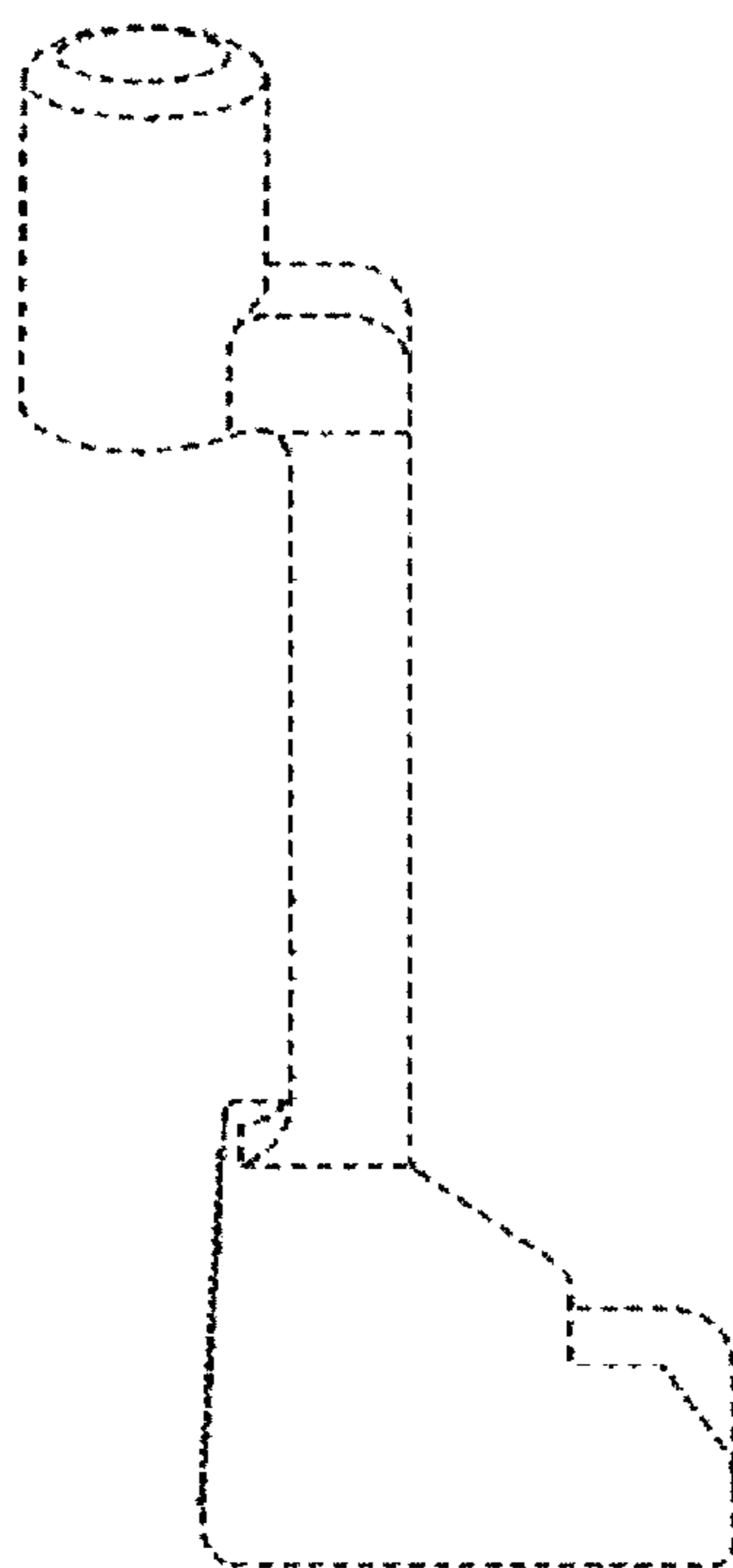
**Fig. 3**



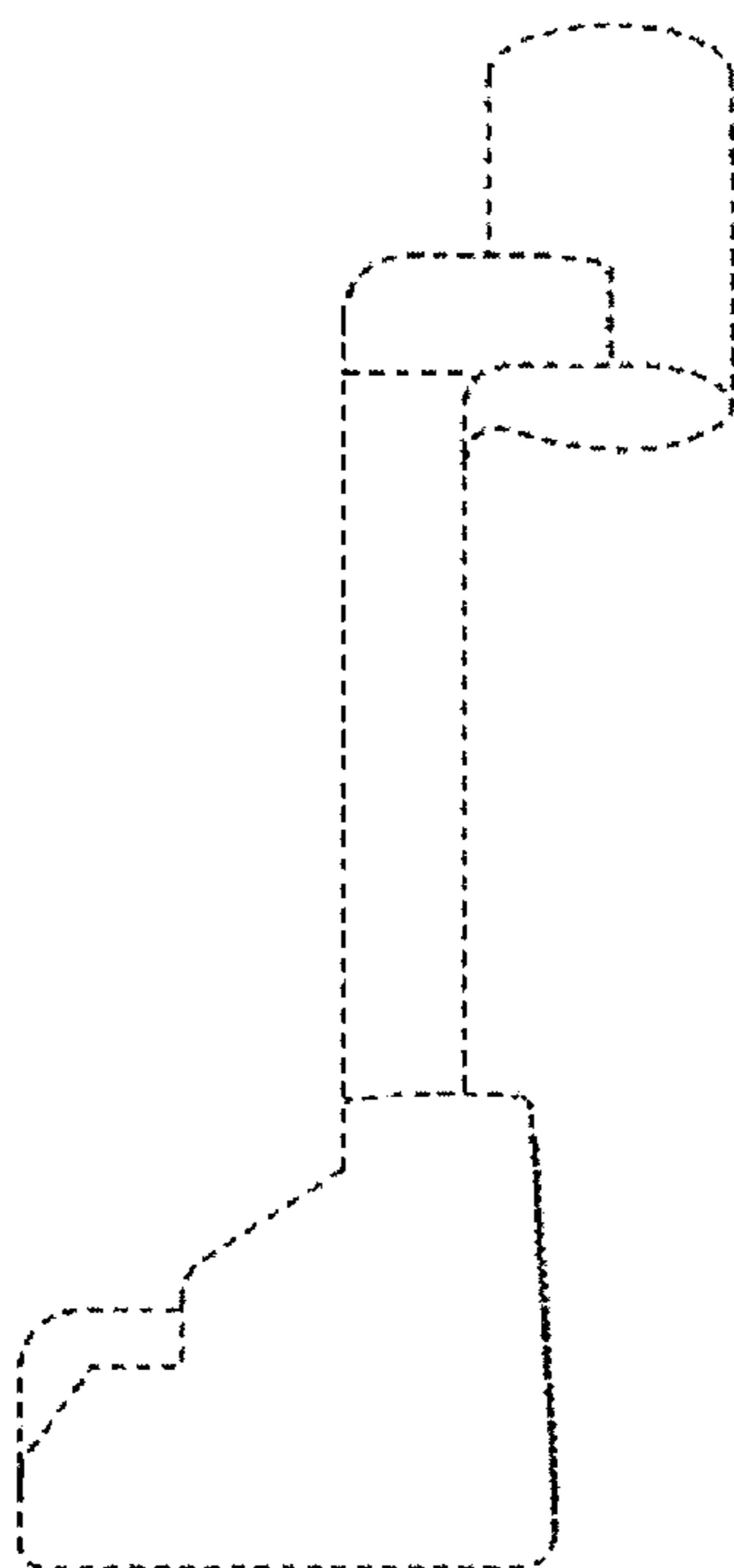
**Fig. 4**



**Fig. 5**



**Fig. 6**



**Fig. 7**

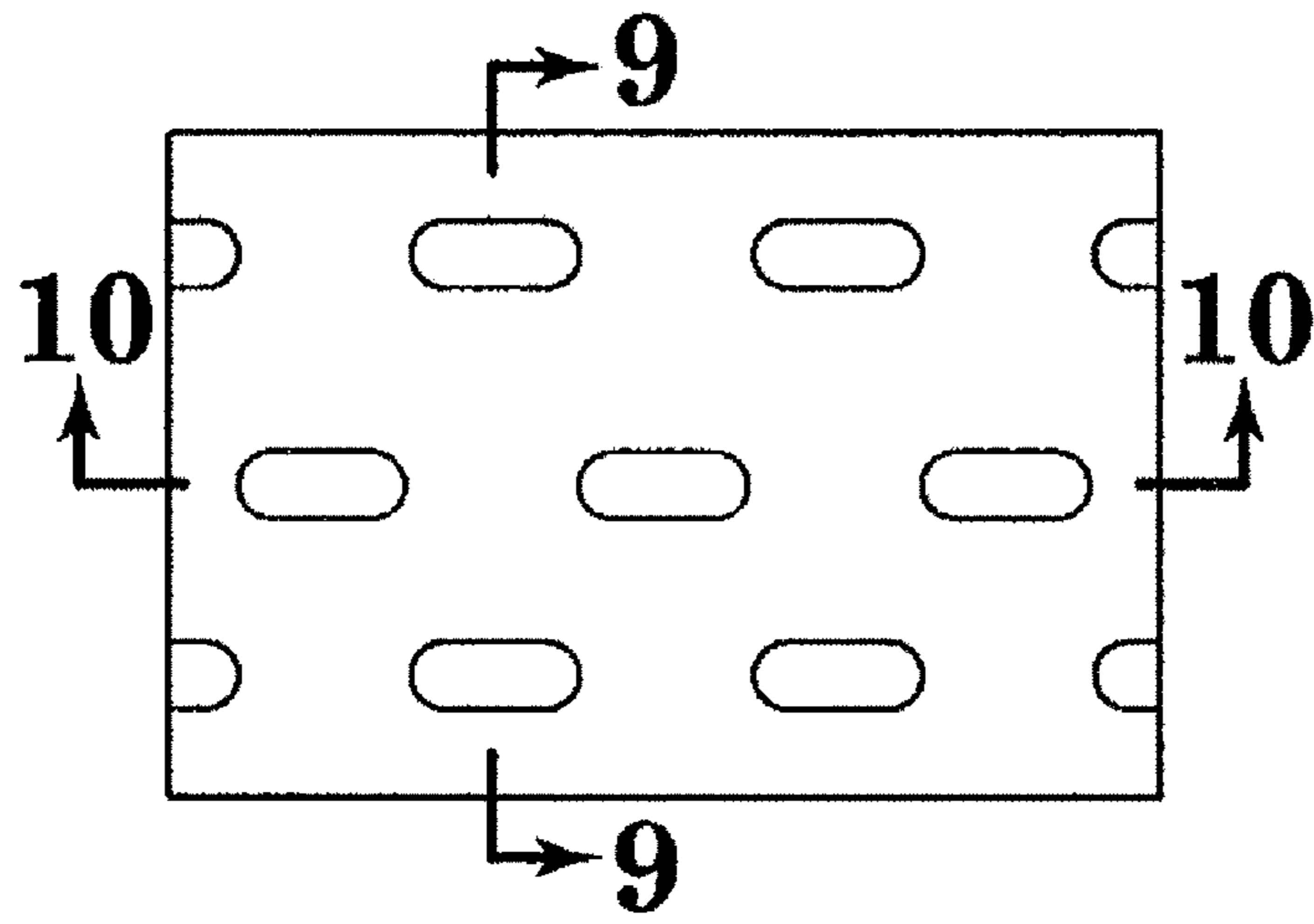


Fig. 8

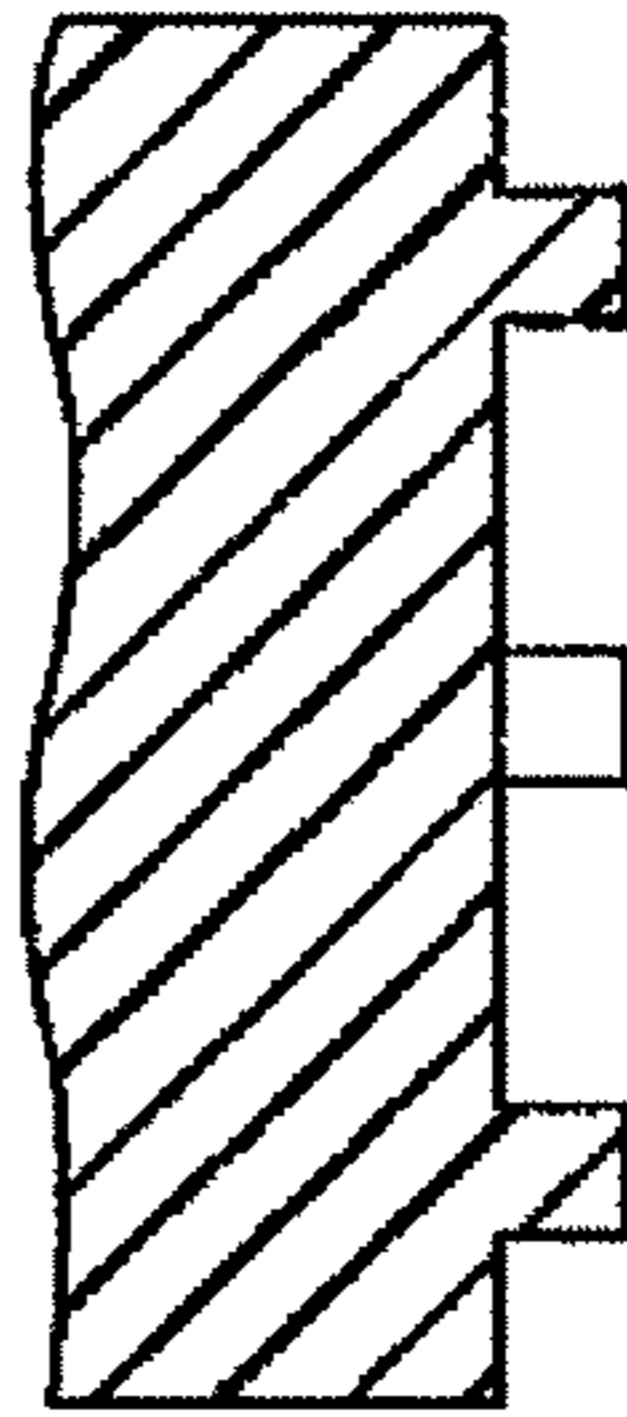


Fig. 9

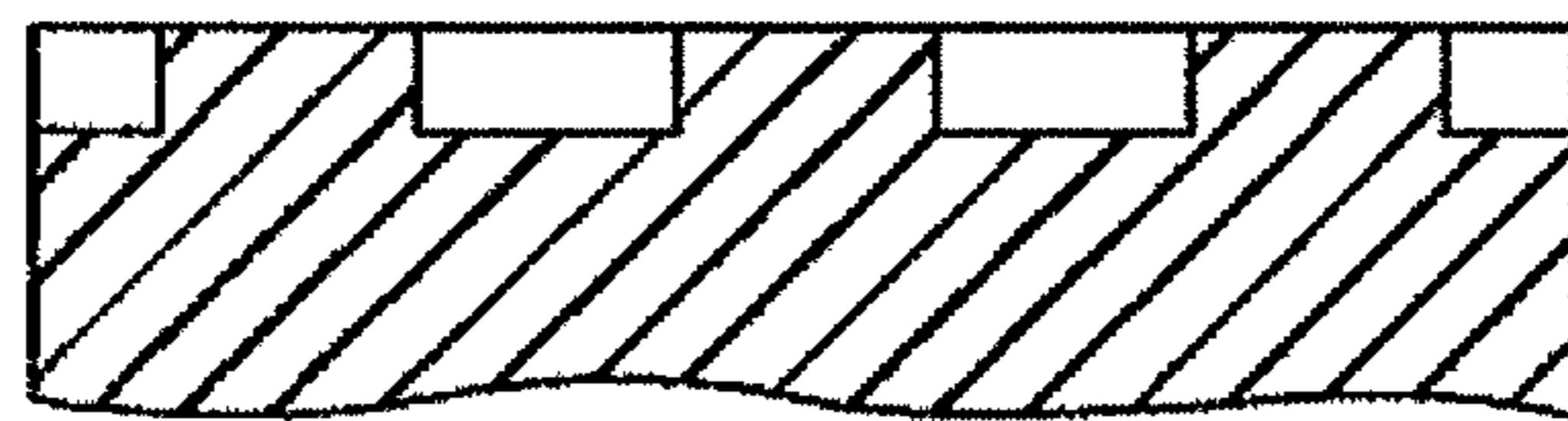
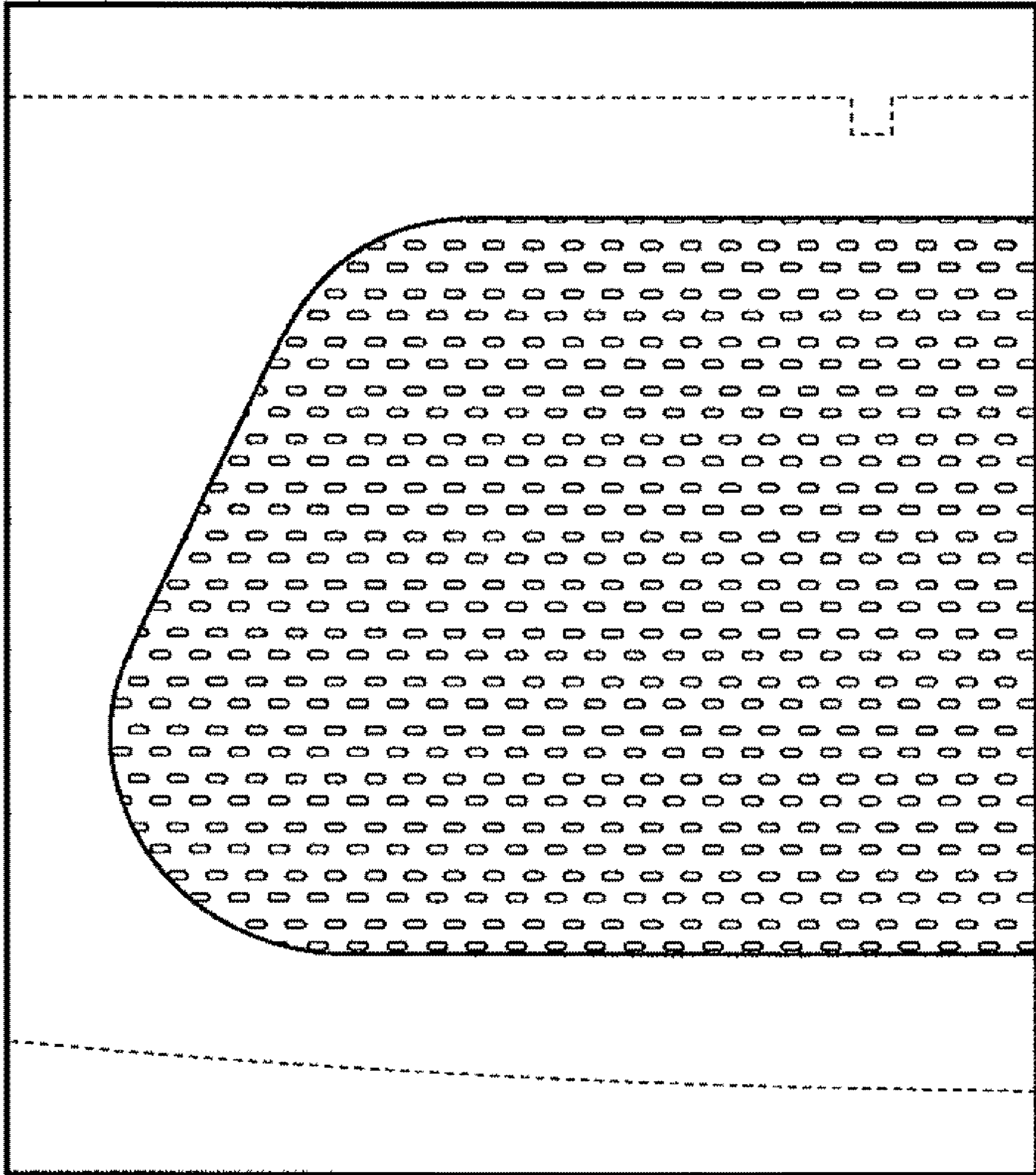


Fig. 10



**Fig. 11**