

US00D639367S

(12) **United States Design Patent**  
**Reinberg**

(10) **Patent No.:** **US D639,367 S**

(45) **Date of Patent:** **\*\* Jun. 7, 2011**

(54) **PUTTER FACE**

(76) **Inventor:** **Richard D. Reinberg**, Boca Raton, FL  
(US)

(\*\*) **Term:** **14 Years**

(21) **Appl. No.:** **29/361,757**

(22) **Filed:** **May 14, 2010**

(51) **LOC (9) Cl.** ..... **21-02**

(52) **U.S. Cl.** ..... **D21/759**

(58) **Field of Classification Search** ..... D21/736-746,  
D21/759; 473/324-331, 251-256  
See application file for complete search history.

(56) **References Cited**

U.S. PATENT DOCUMENTS

1,965,954	A *	7/1934	Davis	473/242
3,574,349	A	4/1971	Kropp	
3,963,244	A	6/1976	Mierzejewski	
4,605,228	A	8/1986	Guendling	
D302,452	S *	7/1989	Walsh	D21/750
5,125,657	A	6/1992	Beil	
5,437,088	A *	8/1995	Igarashi	473/330
5,616,089	A	4/1997	Miller	
5,672,117	A	9/1997	Dar	
5,746,662	A	5/1998	Squire	
D420,079	S *	2/2000	Frazetta	D21/747
6,296,577	B1	10/2001	Trammell et al.	
6,394,911	B1	5/2002	Vaughn	
D458,331	S *	6/2002	Wahl et al.	D21/759
6,846,244	B1	1/2005	David	
D509,867	S *	9/2005	Perry	D21/743
D515,646	S *	2/2006	Perry	D21/742

D515,647	S *	2/2006	Morgulis	D21/743
7,166,039	B2 *	1/2007	Hettinger et al.	473/331
7,261,652	B2	8/2007	Gold	
D570,934	S *	6/2008	Ban et al.	D21/744
D588,222	S *	3/2009	Takahashi	D21/759
D588,666	S *	3/2009	Takahashi	D21/759
D595,370	S *	6/2009	Ines et al.	D21/736
7,540,810	B2 *	6/2009	Hettinger et al.	473/331
D600,295	S *	9/2009	Meeks	D21/744
D606,605	S *	12/2009	Wada et al.	D21/759
2004/0171435	A1	9/2004	Gammon, Jr.	
2008/0020859	A1 *	1/2008	Yamagishi et al.	473/324

\* cited by examiner

*Primary Examiner* — Mitchell I Siegel

(74) *Attorney, Agent, or Firm* — Curatolo Sidoti Co., LPA;  
Salvatore A. Sidoti

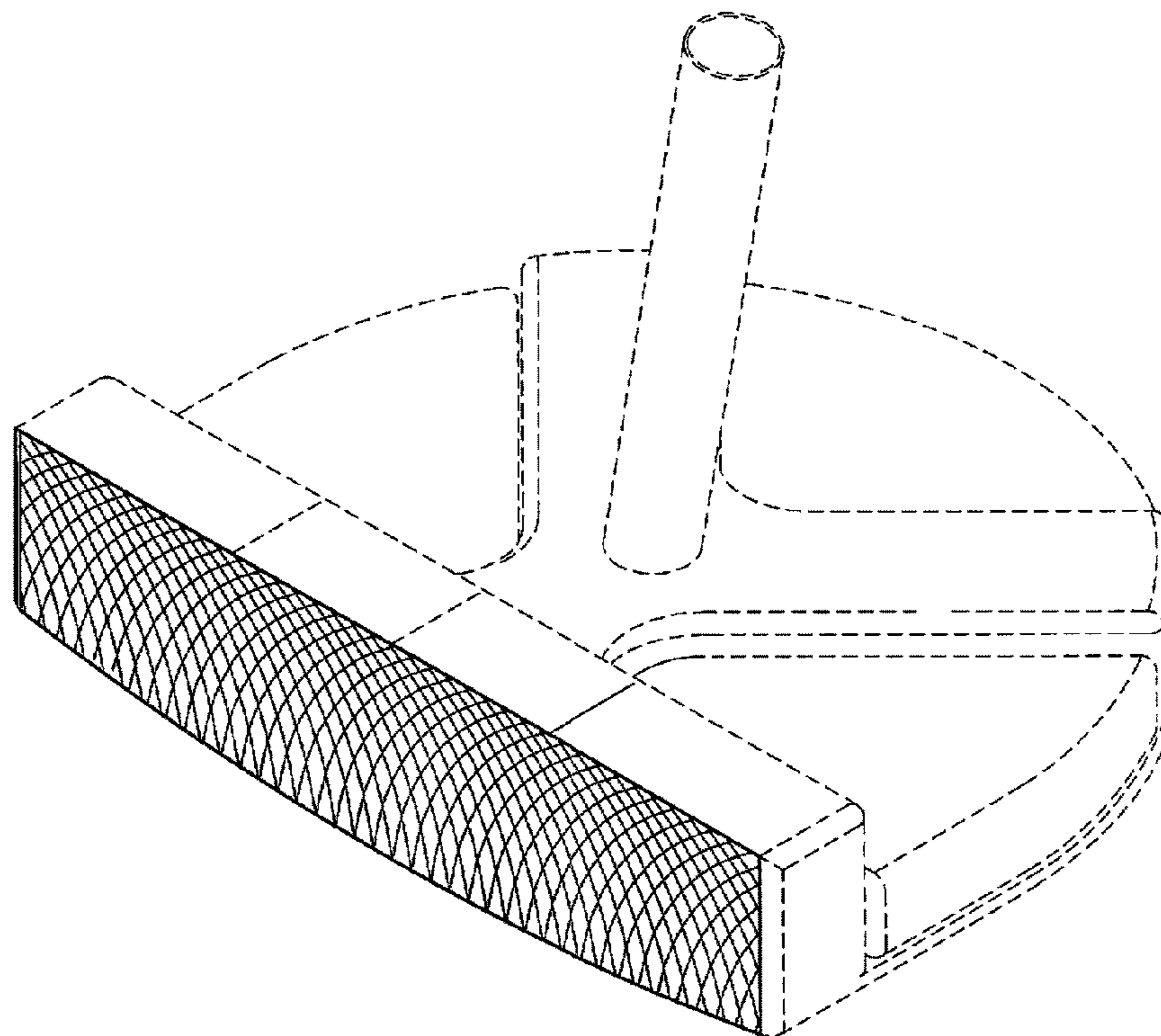
(57) **CLAIM**

The ornamental design for a putter face, as shown and described.

**DESCRIPTION**

FIG. 1 is a front perspective view of the putter face.  
FIG. 2 is a front view of the putter face.  
FIG. 3 is a right-side view of the putter face.  
FIG. 4 is a left-side view of the putter face.  
FIG. 5 is a back view of the putter face.  
FIG. 6 is a top view of the putter face.  
FIG. 7 is a bottom view of the putter face; and,  
FIG. 8 is a rear perspective view of the putter face.  
The broken line showing on the drawing views is included for the purpose of illustrating and forms no part of the claimed design.

**1 Claim, 3 Drawing Sheets**



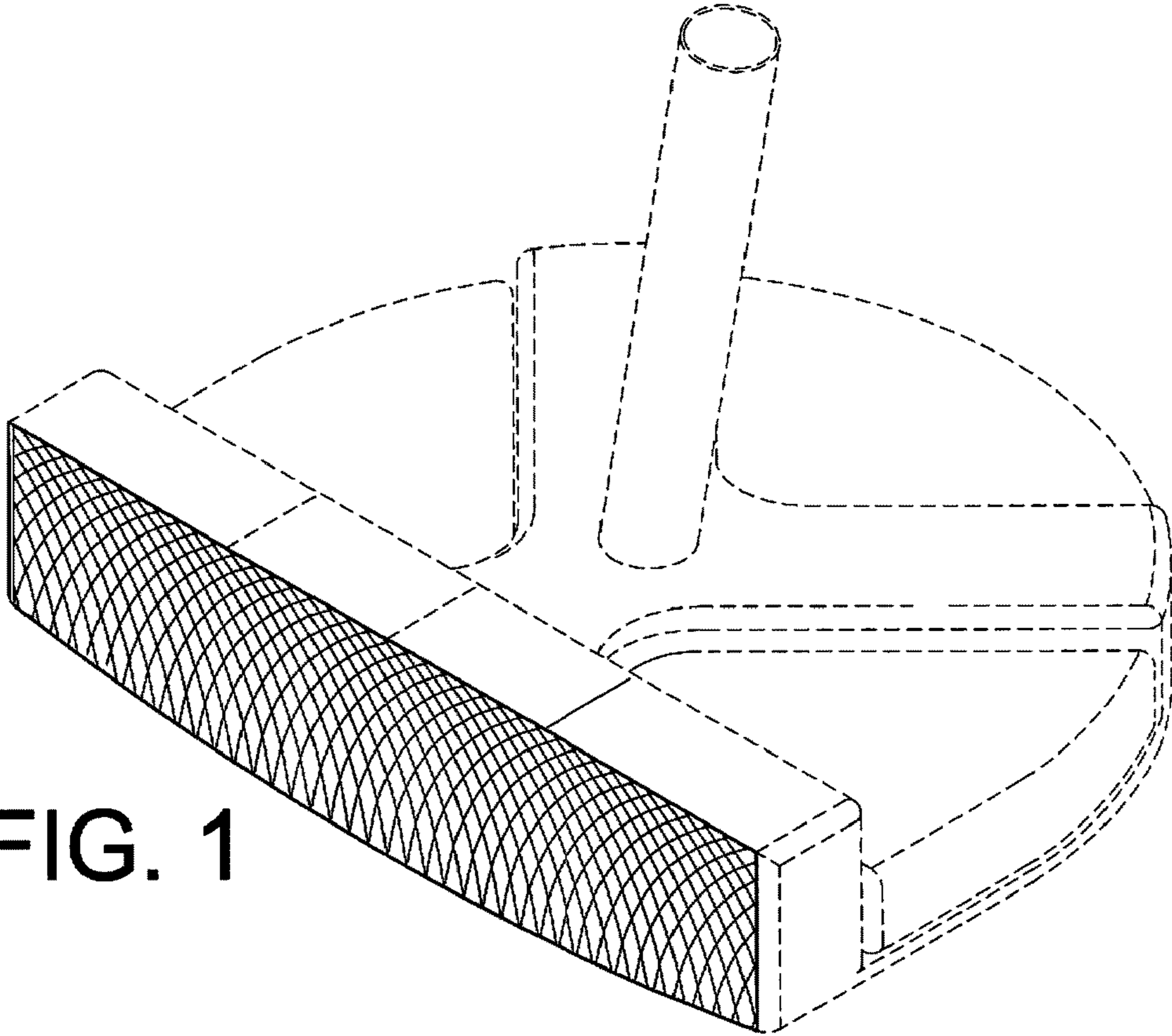


FIG. 1

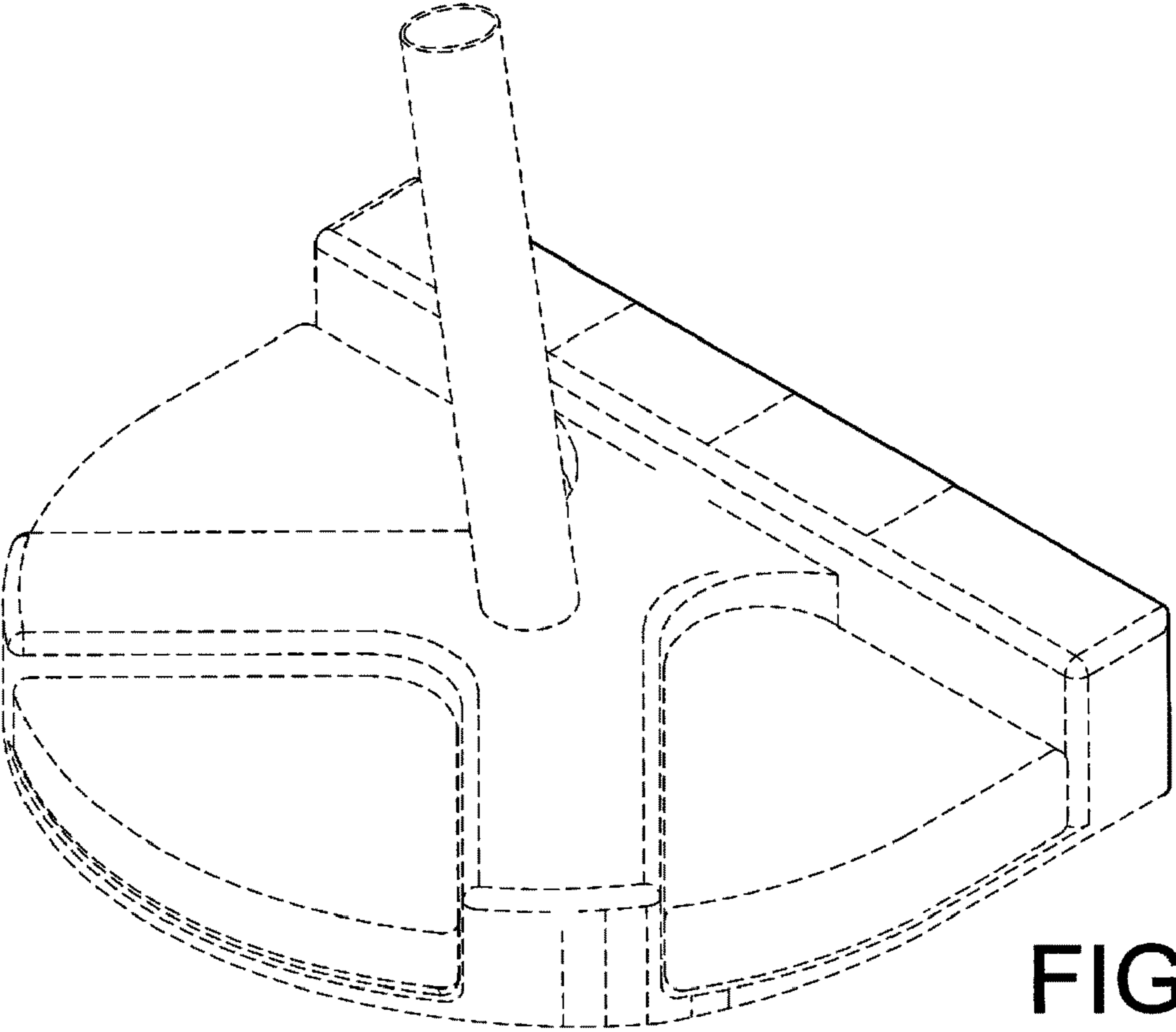


FIG. 8

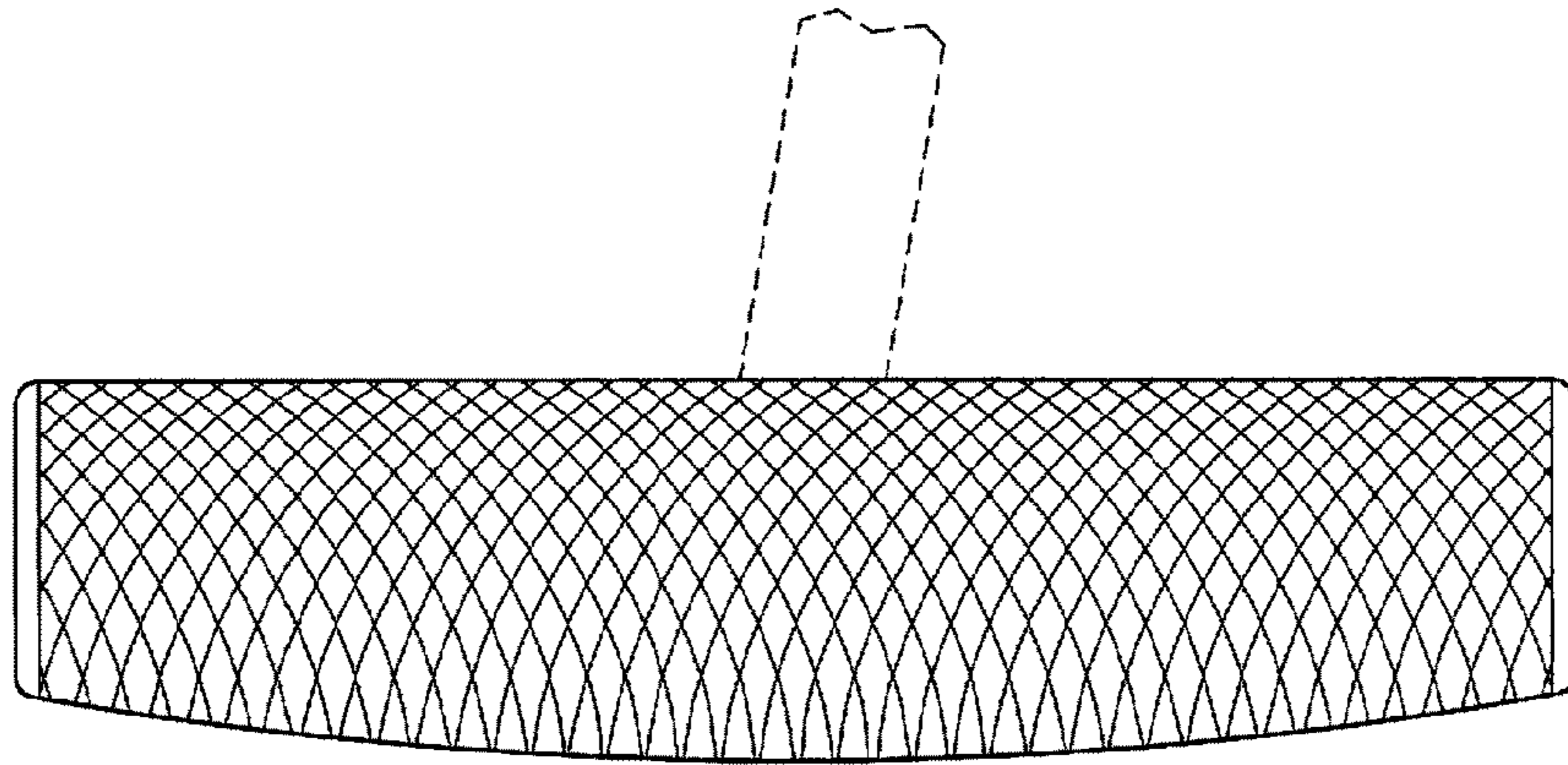


FIG. 2

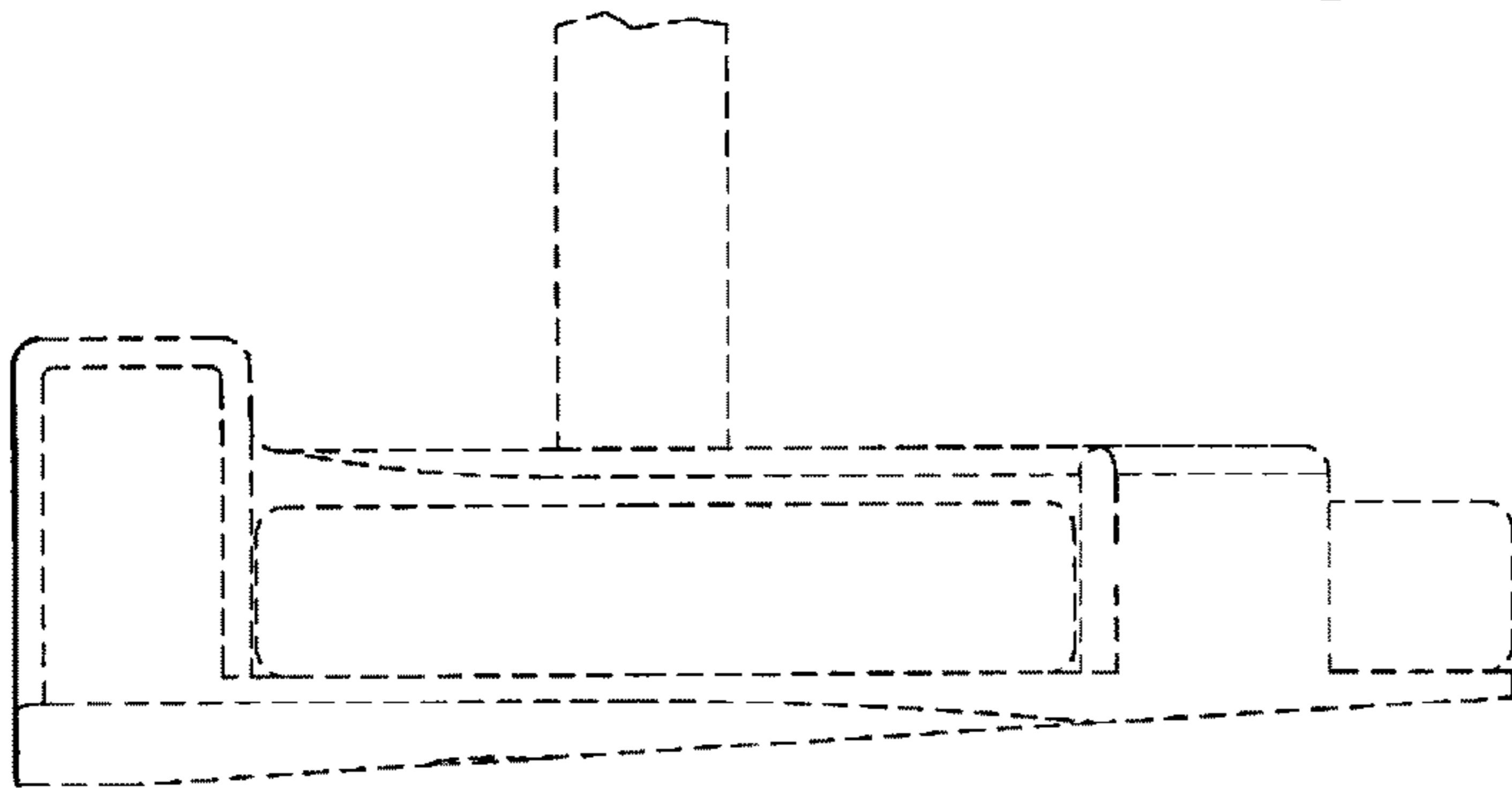


FIG. 3

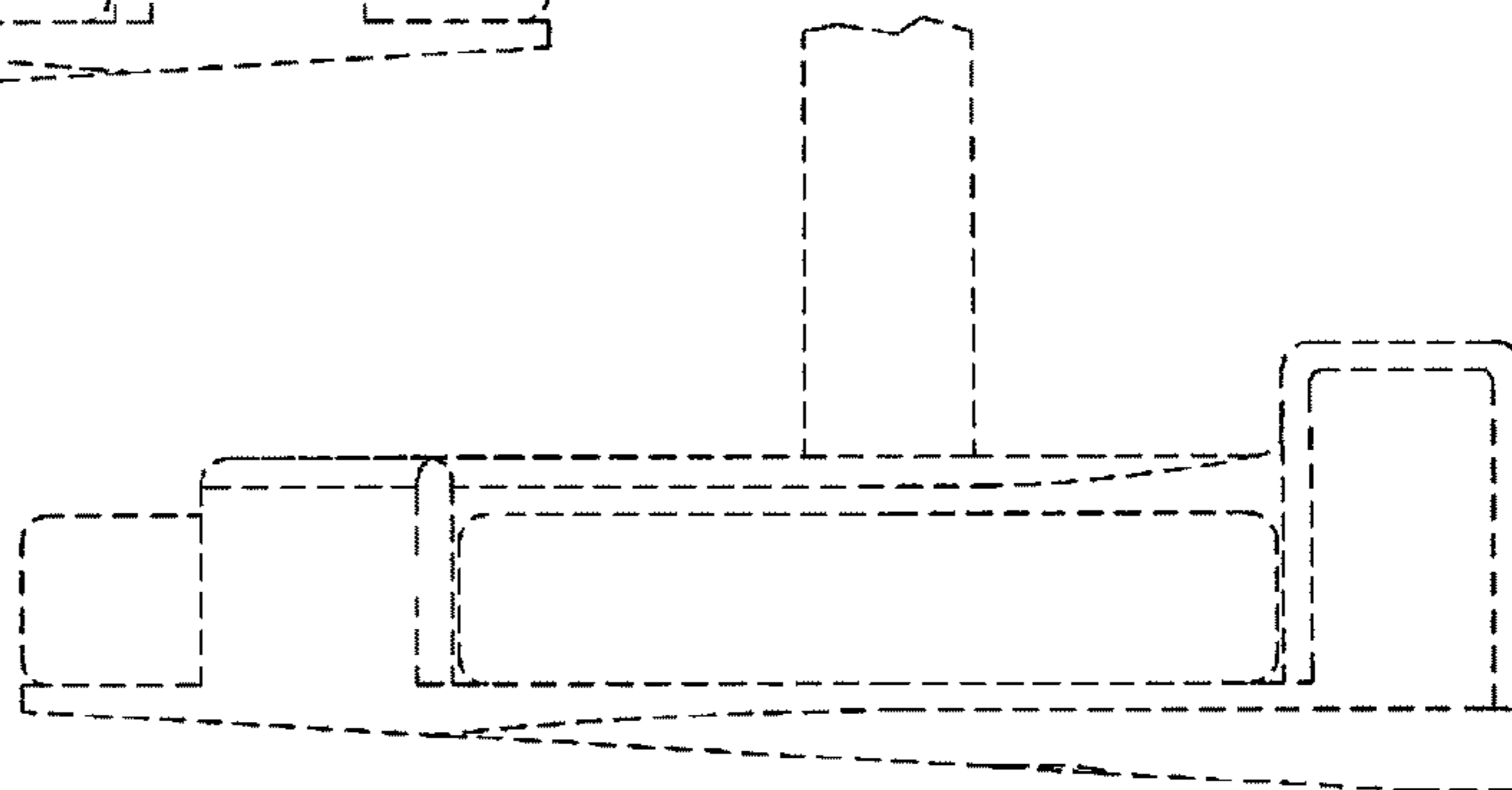


FIG. 4

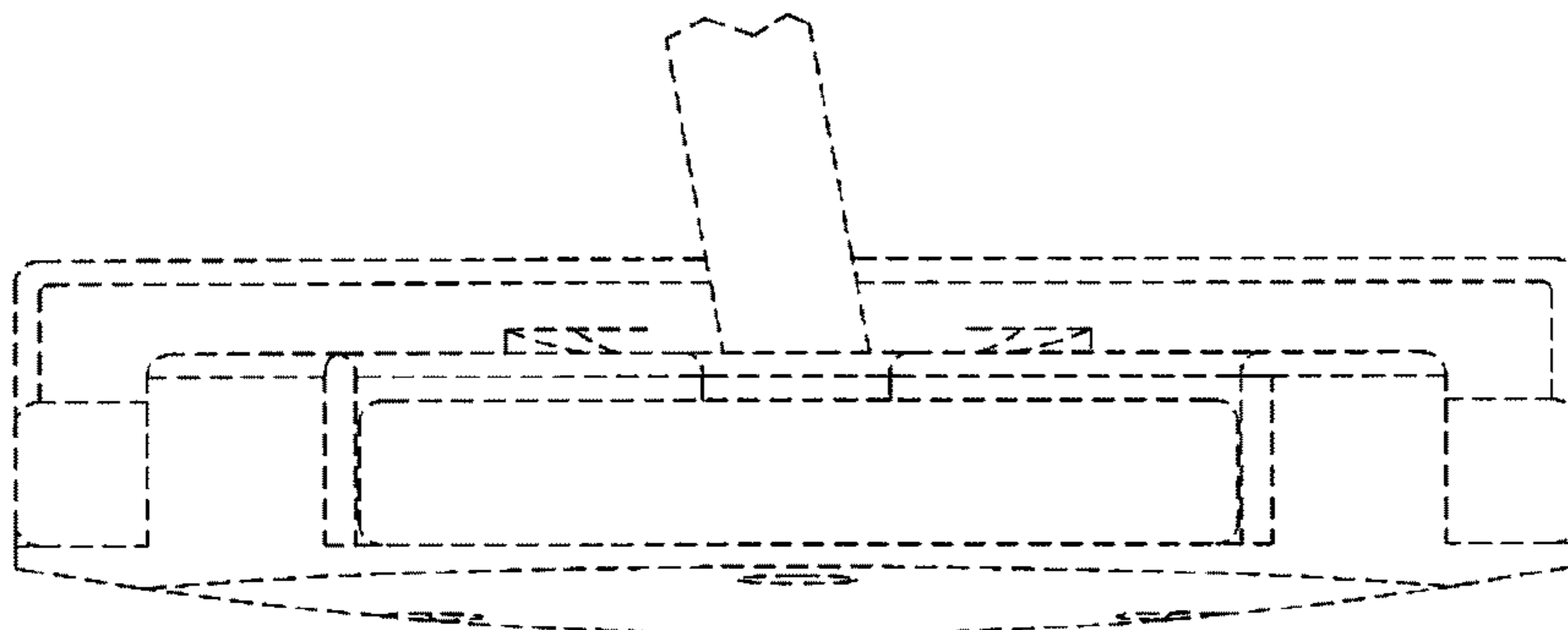


FIG. 5

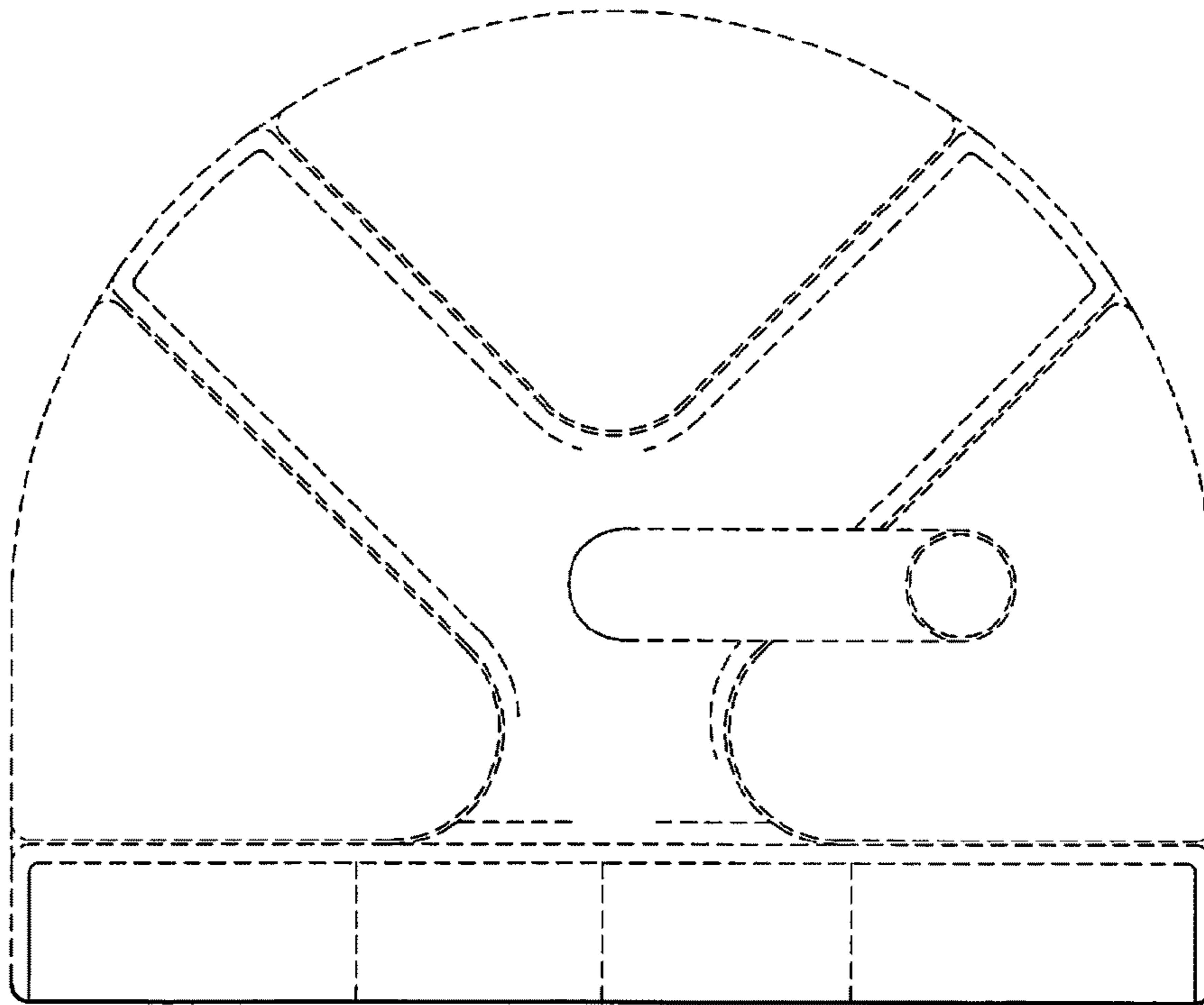


FIG. 6

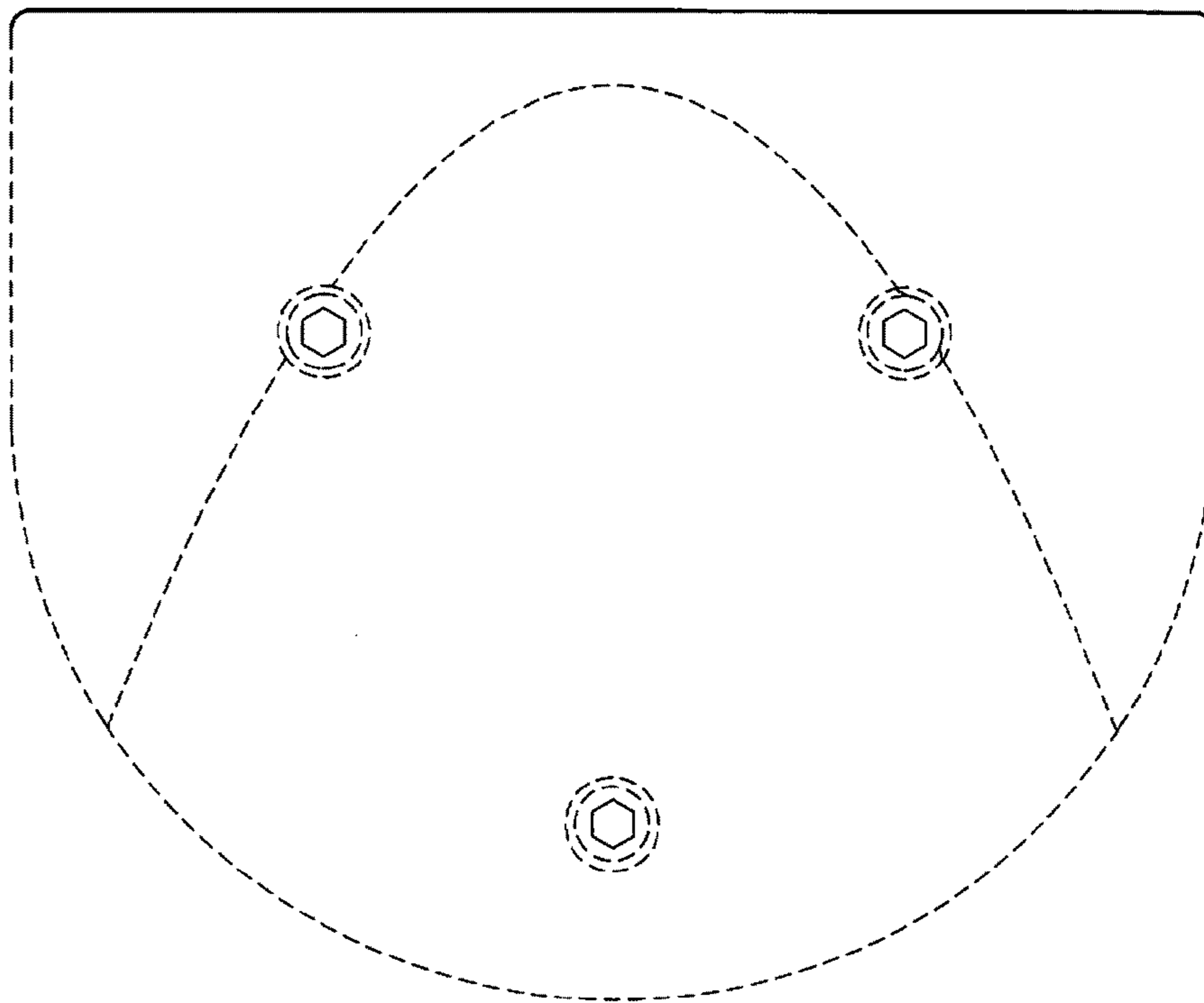


FIG. 7