



US00D639359S

(12) **United States Design Patent**
Rauwerdink

(10) **Patent No.:** **US D639,359 S**

(45) **Date of Patent:** **** Jun. 7, 2011**

(54) **DUMBBELL BASE**

(75) Inventor: **Matthew Alan Rauwerdink**, Portland,
OR (US)

(73) Assignee: **Nautilus, Inc.**, Vancouver, WA (US)

(**) Term: **14 Years**

(21) Appl. No.: **29/376,163**

(22) Filed: **Oct. 1, 2010**

(51) **LOC (9) Cl.** **21-02**

(52) **U.S. Cl.** **D21/686; D21/694; D6/552**

(58) **Field of Classification Search** D21/662,
D21/677-678, 680-685, 692, 694; 482/92-94,
482/97-111, 114-115, 138; D6/552
See application file for complete search history.

(56) **References Cited**

U.S. PATENT DOCUMENTS

5,839,997	A *	11/1998	Roth et al.	482/107
D425,152	S *	5/2000	Ceppo	D21/686
D425,950	S *	5/2000	Ceppo	D21/686
D429,295	S *	8/2000	Ceppo	D21/686
6,099,442	A *	8/2000	Krull	482/107
6,123,651	A *	9/2000	Ellenburg	482/104
D453,542	S *	2/2002	Louiso	D21/694
6,656,093	B2 *	12/2003	Chen	482/108
D487,490	S *	3/2004	Evans	D21/686
D508,628	S	8/2005	Crawford et al.	
D528,173	S	9/2006	Flick et al.	
D528,611	S	9/2006	Flick et al.	
7,137,931	B2 *	11/2006	Liu	482/107
D540,405	S	4/2007	Crawford et al.	
D540,894	S	4/2007	Crawford et al.	

7,223,214	B2 *	5/2007	Chen	482/107
7,261,678	B2	8/2007	Crawford et al.	
D584,086	S	1/2009	Gettle	
7,578,772	B2 *	8/2009	Lippitt	482/108
D603,002	S	10/2009	Gettle et al.	
D603,469	S	11/2009	Golesh et al.	
D603,915	S	11/2009	Golesh et al.	
7,614,982	B2	11/2009	Crawford et al.	
D610,636	S	2/2010	Golesh et al.	
7,678,030	B2 *	3/2010	Savage	482/104
D617,854	S	6/2010	Gettle	
7,794,373	B2	9/2010	Crawford et al.	
2006/0223684	A1	10/2006	Krull	
2008/0039299	A1	2/2008	Crawford et al.	
2009/0186748	A1	7/2009	Golesh et al.	

* cited by examiner

Primary Examiner — Susan E Krakower

(74) *Attorney, Agent, or Firm* — Klarquist Sparkman, LLP

(57) **CLAIM**

The ornamental design for a dumbbell base, as shown and described.

DESCRIPTION

FIG. 1 is a top perspective view of a dumbbell base. FIG. 2 is a side elevational view of the dumbbell base, the opposite side being a mirror image thereof. FIG. 3 is an end elevational view of the dumbbell base, the opposite end being a mirror image thereof. FIG. 4 is a top plan view of the dumbbell base; and, FIG. 5 is a bottom view of the dumbbell base. The broken lines illustrate portions of the Dumbbell Base which form no part of the claimed design.

1 Claim, 2 Drawing Sheets

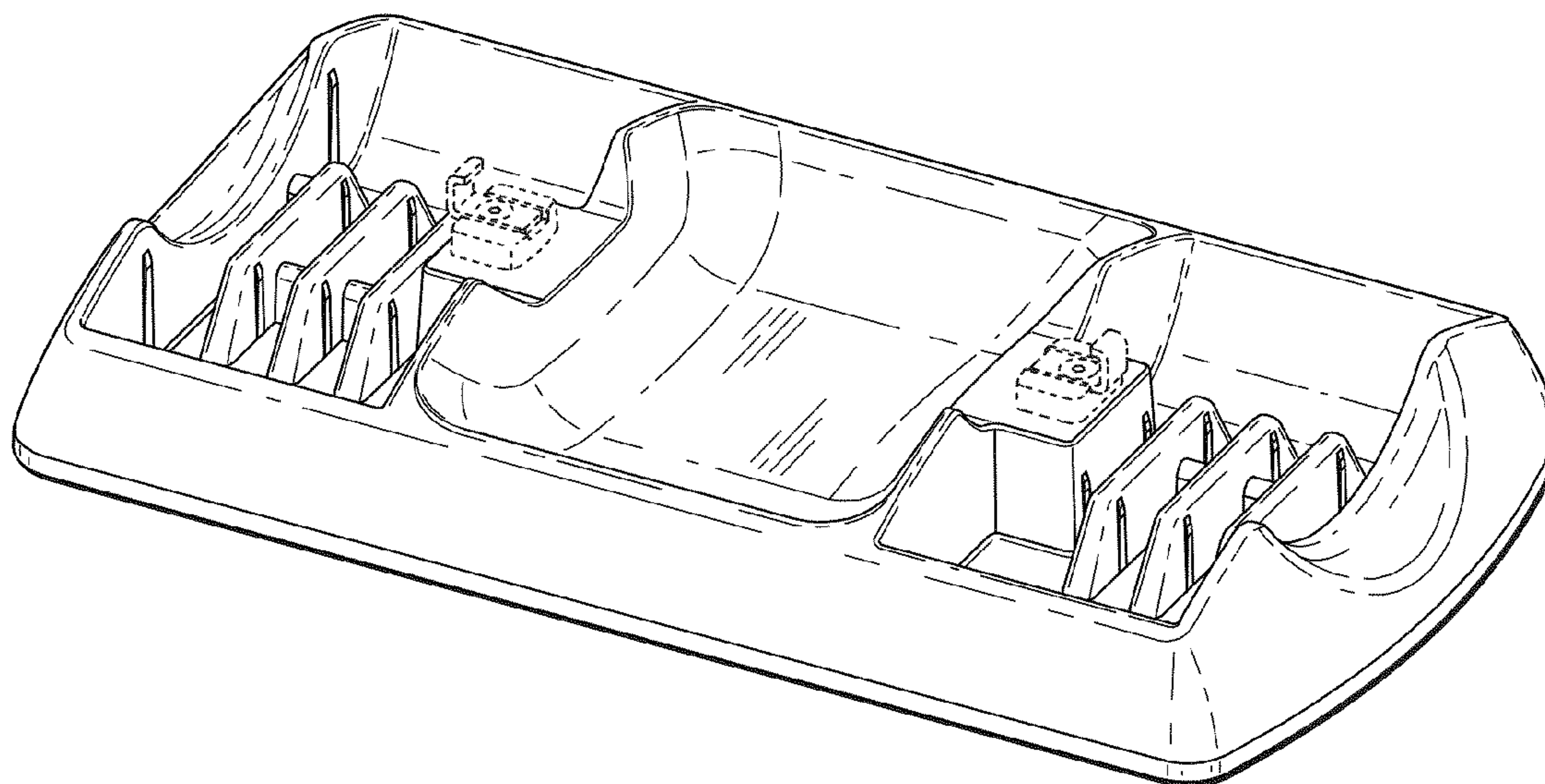


FIG. 1

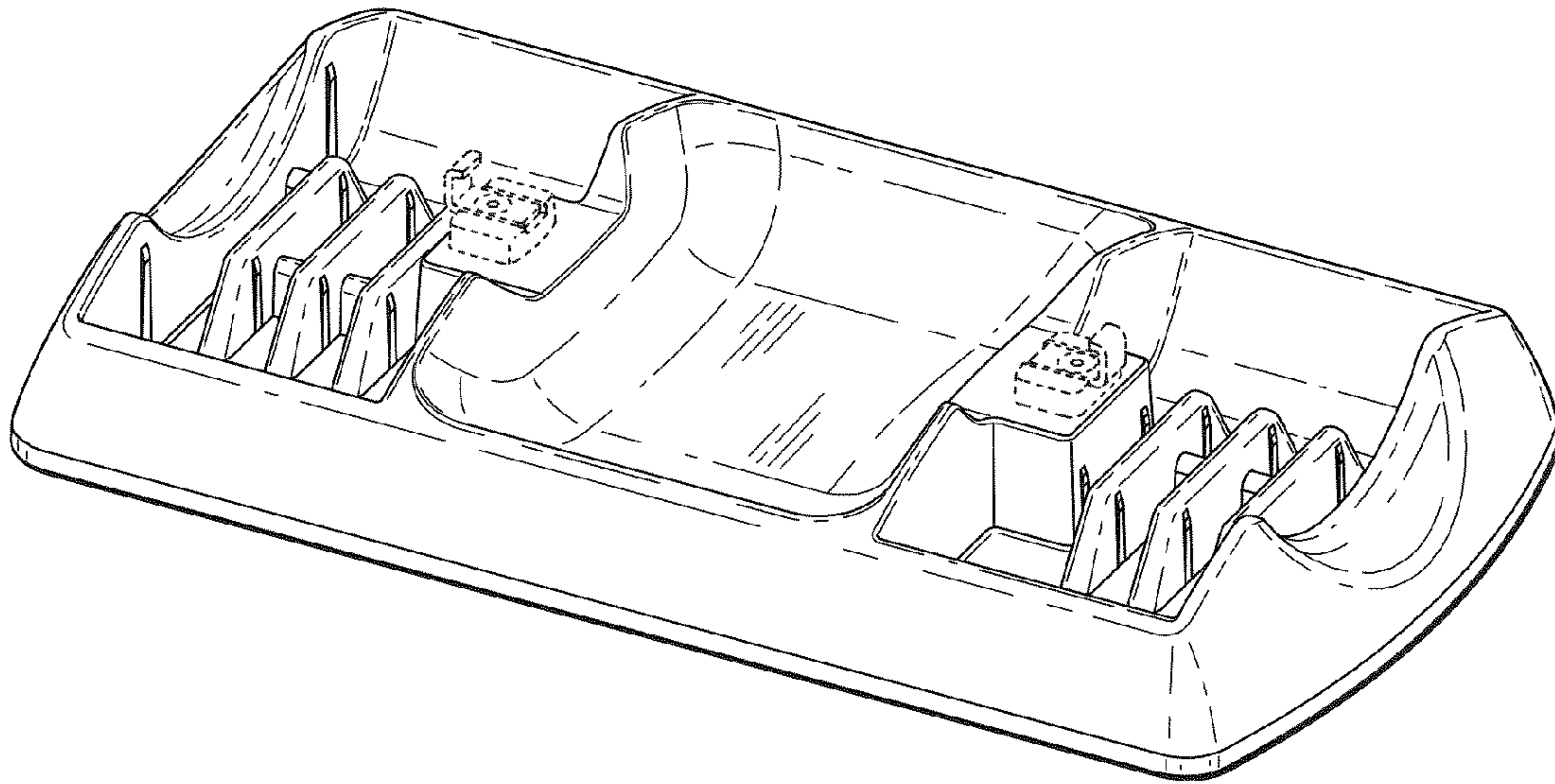


Fig. 2

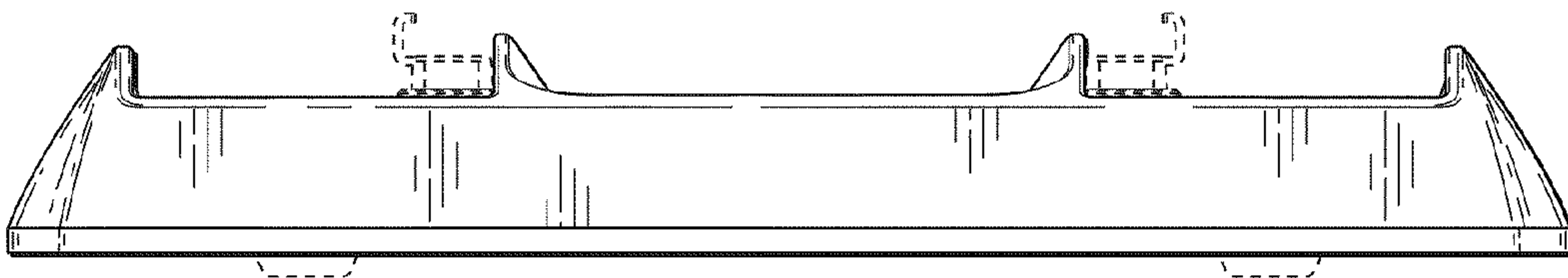


FIG. 3

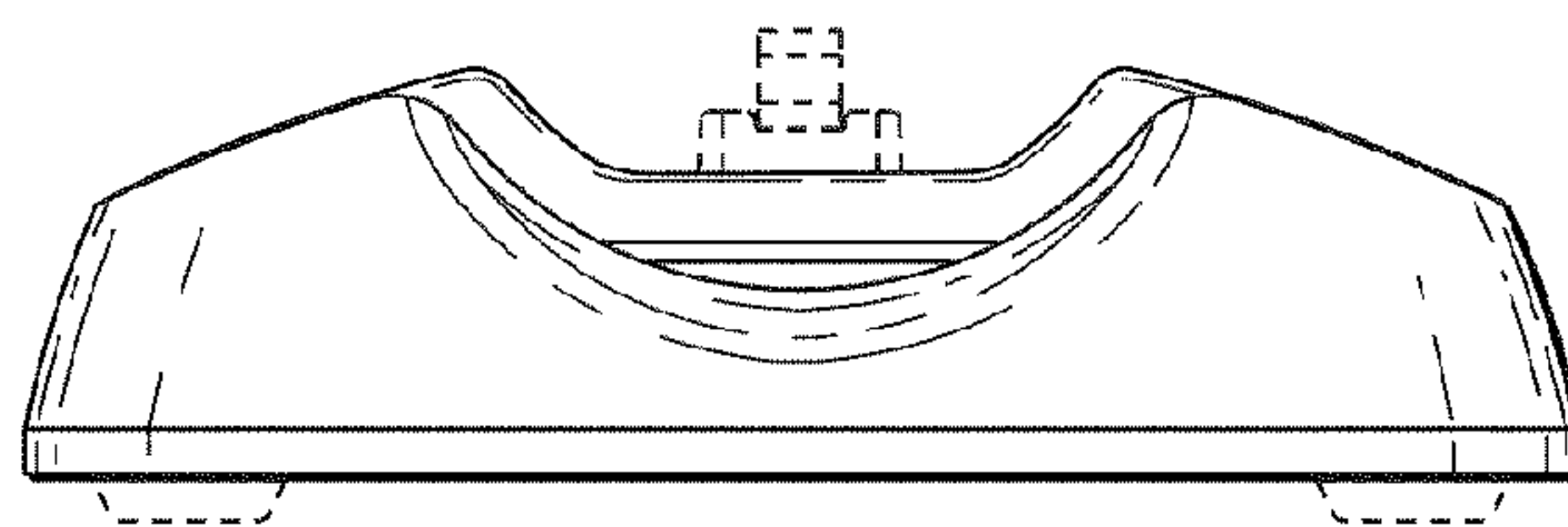


FIG. 4

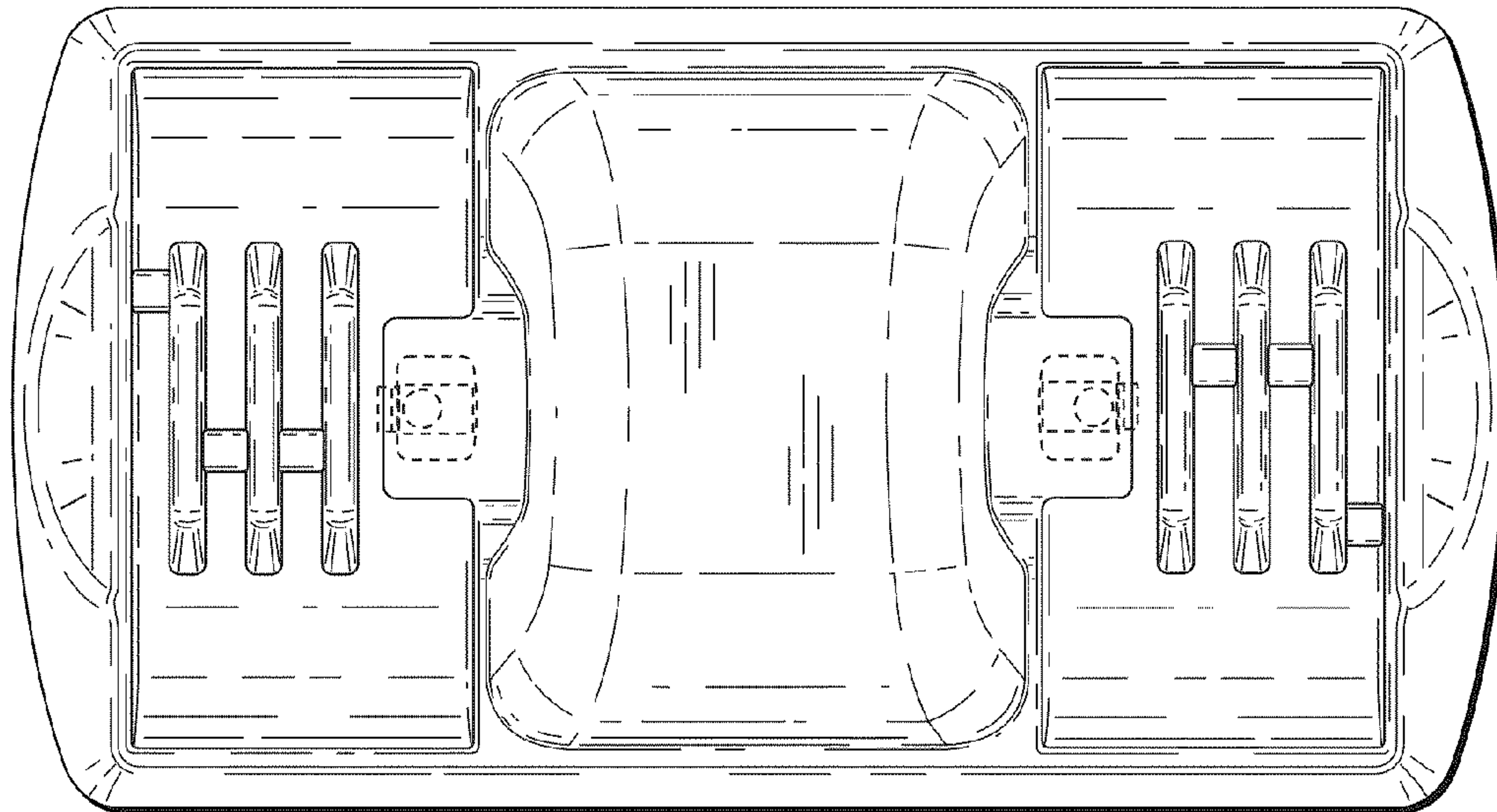


FIG. 5



UNITED STATES PATENT AND TRADEMARK OFFICE
CERTIFICATE OF CORRECTION

PATENT NO. : D639,359 S
APPLICATION NO. : 29/376163
DATED : June 7, 2011
INVENTOR(S) : Rauwerdink

Page 1 of 1

It is certified that error appears in the above-identified patent and that said Letters Patent is hereby corrected as shown below:

On the Title Page

Column 2, under item (57).

under DESCRIPTION, for FIGs. 2, 4, and 5, “dumbell” should be --dumbbell--.

Signed and Sealed this
Twenty-eighth Day of March, 2017



Michelle K. Lee
Director of the United States Patent and Trademark Office