



US00D639358S

(12) **United States Design Patent**
Rauwerdink

(10) **Patent No.:** **US D639,358 S**

(45) **Date of Patent:** **** Jun. 7, 2011**

(54) **COMBINED DUMBBELL AND BASE**

(75) **Inventor:** **Matthew Alan Rauwerdink**, Portland,
OR (US)

(73) **Assignee:** **Nautilus, Inc.**, Vancouver, WA (US)

(**) **Term:** **14 Years**

(21) **Appl. No.:** **29/376,164**

(22) **Filed:** **Oct. 1, 2010**

(51) **LOC (9) Cl.** **21-02**

(52) **U.S. Cl.** **D21/681**

(58) **Field of Classification Search** D21/662,
D21/677-678, 680-685, 692, 694; 482/92-94,
482/97-111, 114-115, 138

See application file for complete search history.

(56) **References Cited**

U.S. PATENT DOCUMENTS

6,656,093	B2 *	12/2003	Chen	482/108
6,682,464	B2 *	1/2004	Shifferaw	482/106
D508,628	S	8/2005	Crawford et al.	
D528,173	S	9/2006	Flick et al.	
D528,611	S	9/2006	Flick et al.	
7,121,988	B2 *	10/2006	Walkerline	482/106
7,137,931	B2 *	11/2006	Liu	482/107
D540,405	S	4/2007	Crawford et al.	
D540,894	S	4/2007	Crawford et al.	
7,223,214	B2 *	5/2007	Chen	482/107
7,261,678	B2	8/2007	Crawford et al.	
7,285,078	B1 *	10/2007	Liu	482/108
7,452,312	B2 *	11/2008	Liu	482/108
D584,086	S	1/2009	Gettle	
7,578,772	B2	8/2009	Lippitt	482/108
D603,002	S	10/2009	Gettle et al.	
D603,469	S	11/2009	Golesh et al.	

D603,915	S	11/2009	Golesh et al.	
7,614,982	B2	11/2009	Crawford et al.	
D610,636	S	2/2010	Golesh et al.	
7,704,197	B2	4/2010	Yu	482/108
D617,854	S	6/2010	Gettle	
7,794,373	B2	9/2010	Crawford et al.	
2003/0114276	A1 *	6/2003	Schiff	482/93
2006/0189458	A1 *	8/2006	Walkerline	482/106
2006/0223684	A1	10/2006	Krull	
2007/0161474	A1 *	7/2007	Lippitt	482/106
2007/0225132	A1 *	9/2007	Liu	482/106
2008/0039299	A1	2/2008	Crawford et al.	
2009/0042700	A1 *	2/2009	Liu	482/107
2009/0124470	A1 *	5/2009	Yu	482/107
2009/0186748	A1	7/2009	Golesh et al.	

* cited by examiner

Primary Examiner — Susan E Krakower

(74) *Attorney, Agent, or Firm* — Klarquist Sparkman, LLP

(57) **CLAIM**

The ornamental design for a combined dumbbell and base, as shown and described.

DESCRIPTION

FIG. 1 is a top perspective view of the combined dumbbell and base.

FIG. 2 is a left side elevational view of the dumbbell in the base.

FIG. 3 is a right side elevational view of the dumbbell in the base.

FIG. 4 is an end elevational view of the dumbbell in the base, the opposite end being a mirror image thereof.

FIG. 5 is a top plan view of the dumbbell in the base; and,

FIG. 6 is a bottom plan view of the dumbbell in the base.

The broken lines illustrate portions of the combined dumbbell and base which form no part of the claimed design.

1 Claim, 3 Drawing Sheets

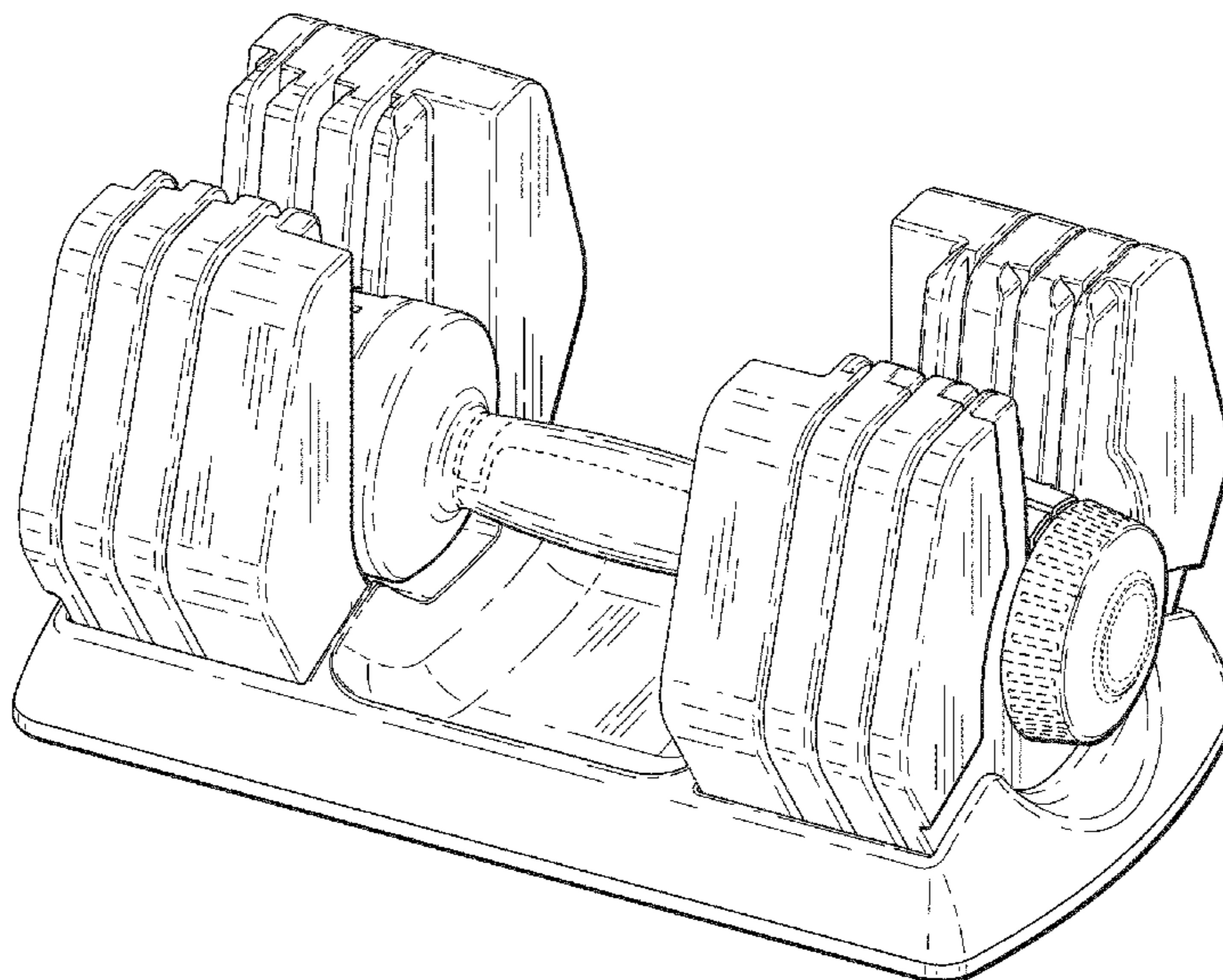


FIG. 1

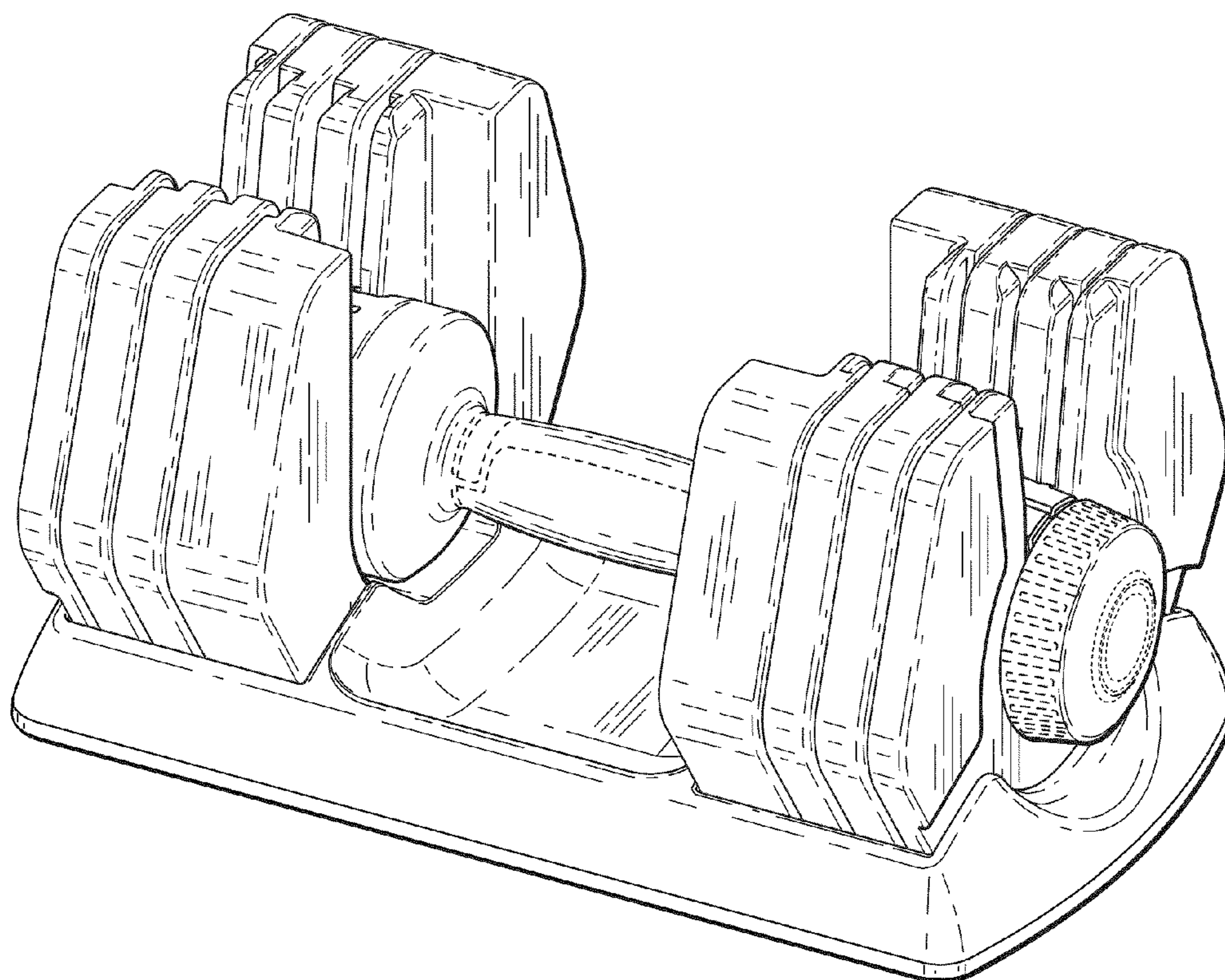


FIG. 2

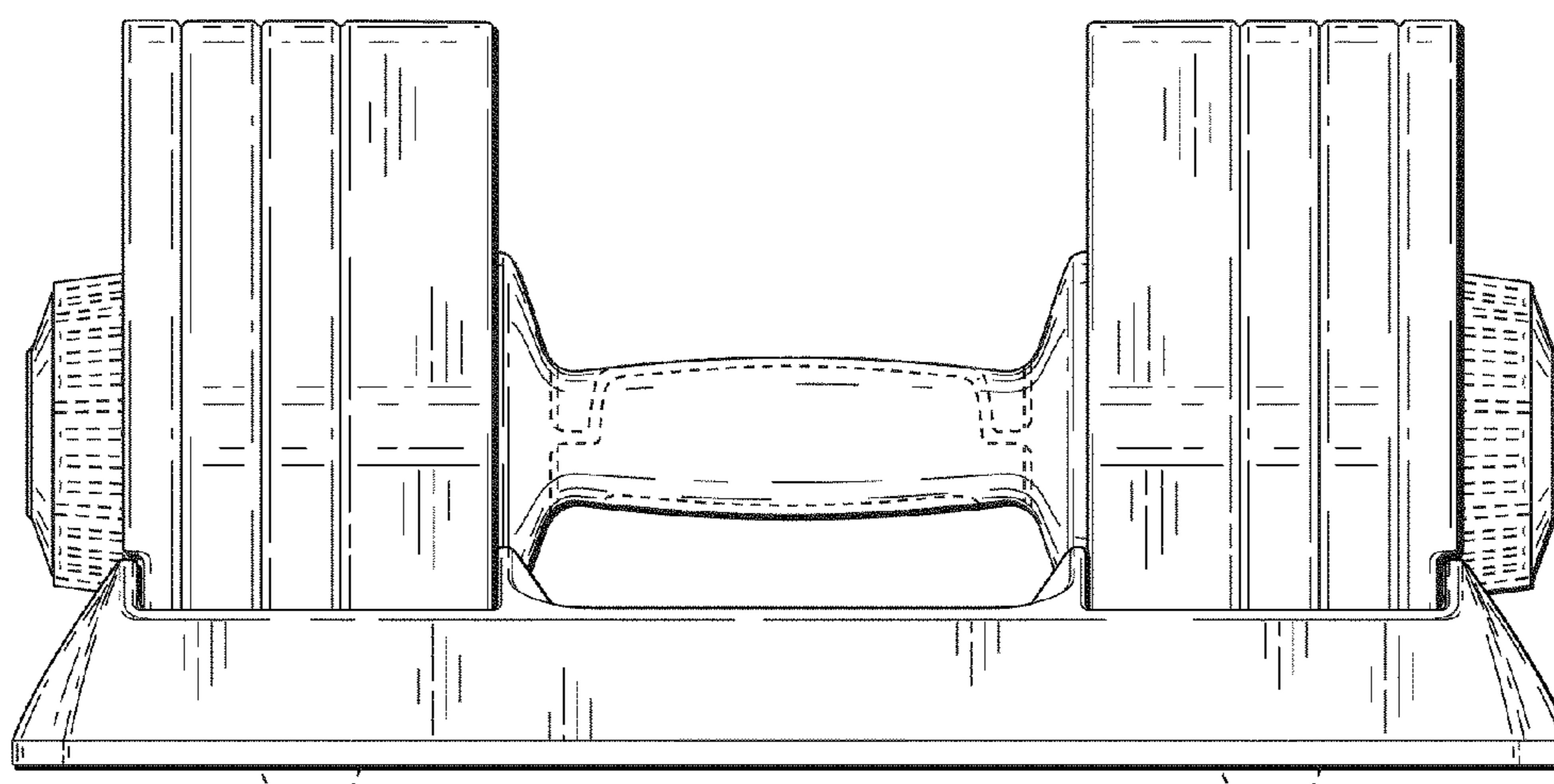


FIG. 3

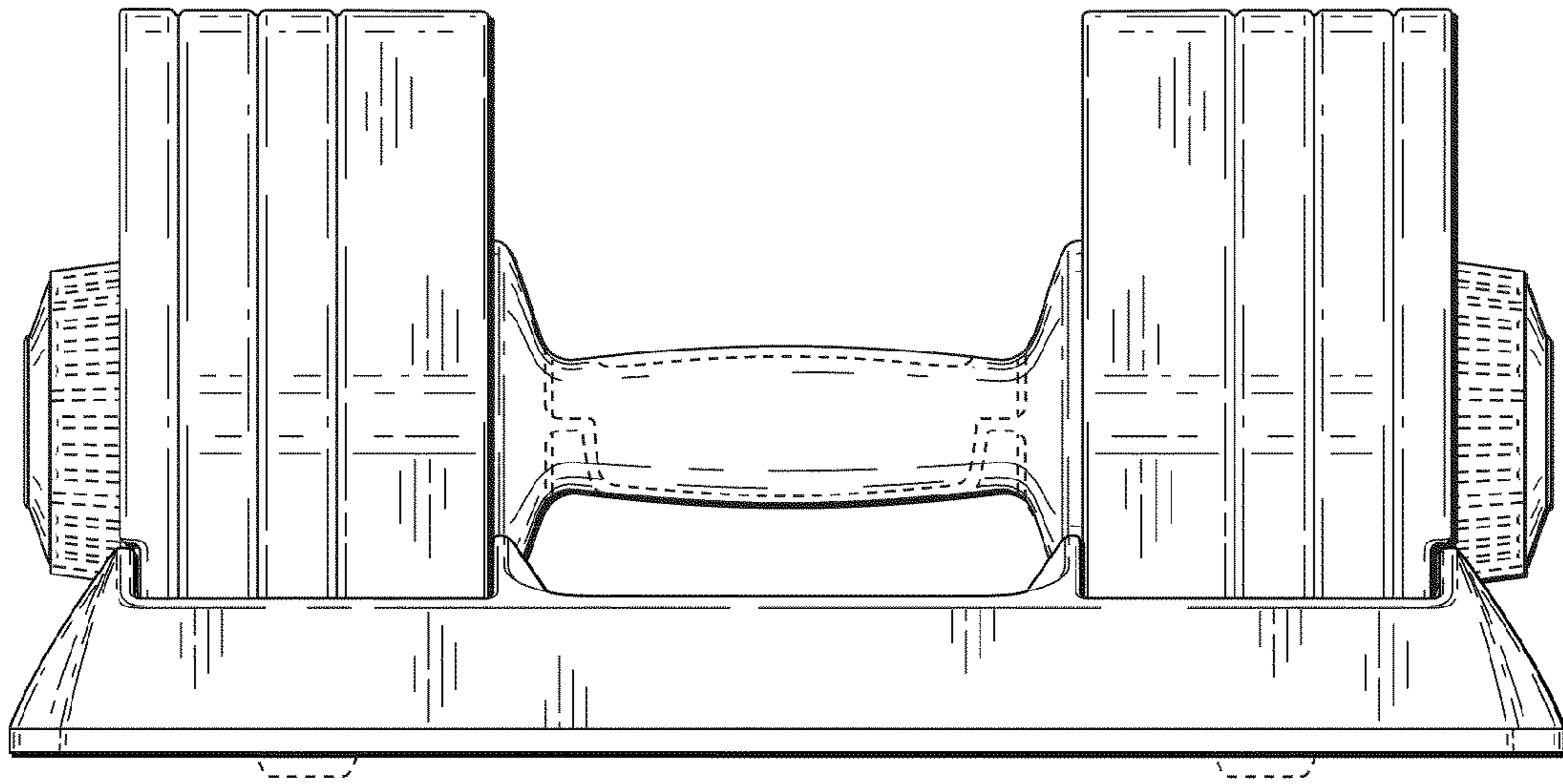


FIG. 4

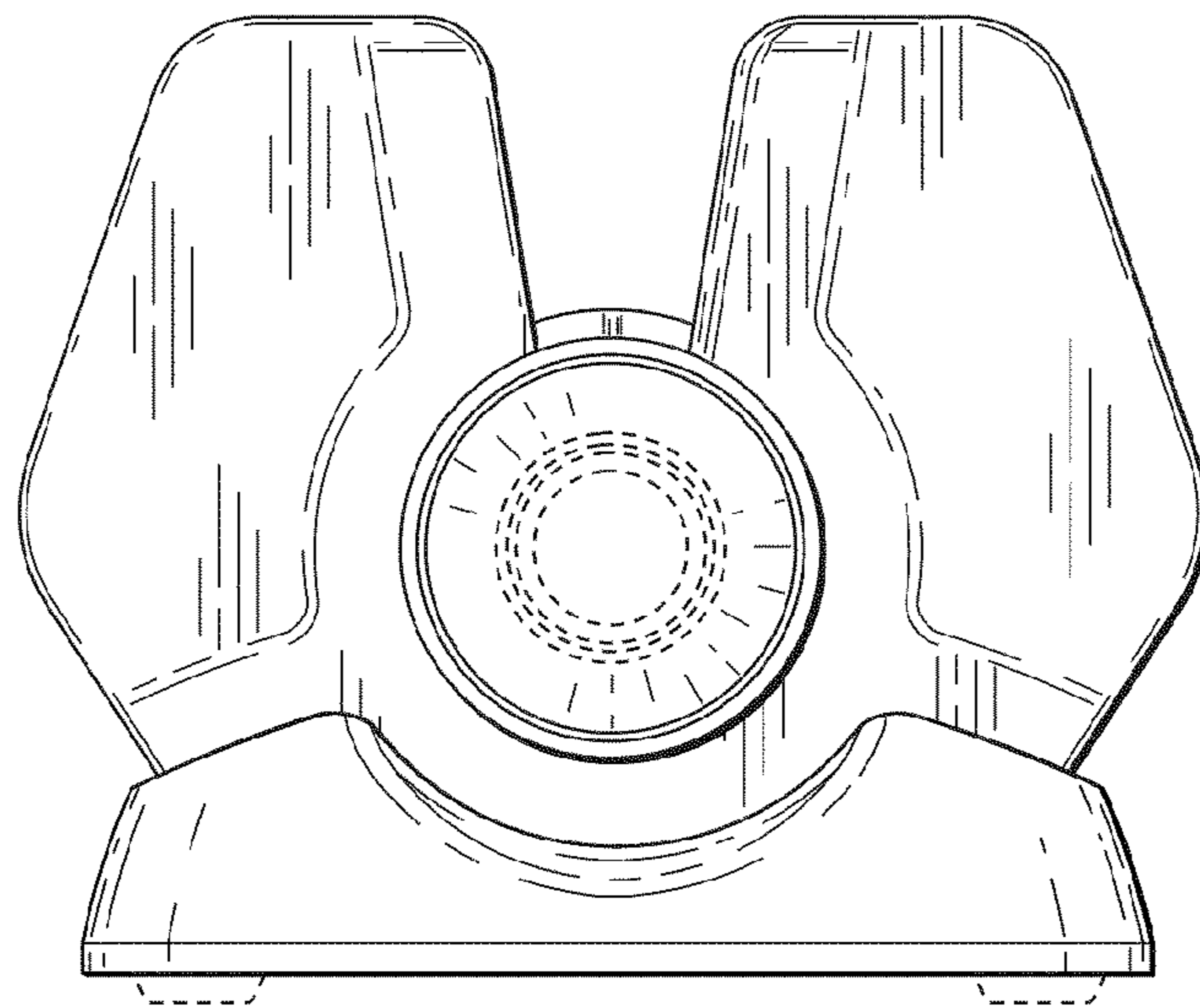


FIG. 5

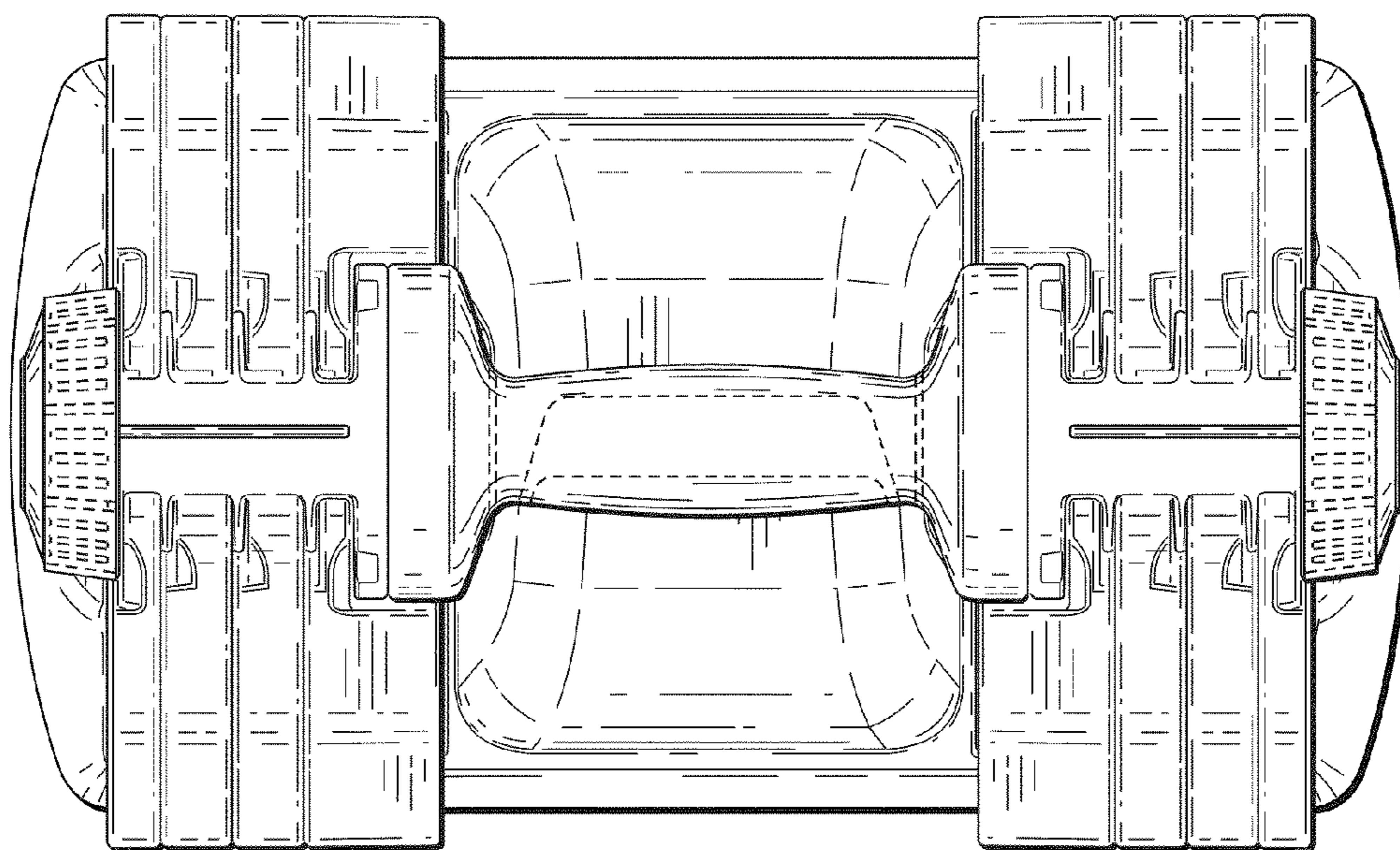


FIG. 6

