



US00D639356S

(12) **United States Design Patent**
Kassel

(10) **Patent No.:** **US D639,356 S**

(45) **Date of Patent:** **** Jun. 7, 2011**

(54) **EXERCISE AND FITNESS DEVICE WITH EXTENDED SLEEVE AND CARABINEER**

(75) Inventor: **Blake Kassel**, Boca Raton, FL (US)

(73) Assignee: **Bodylastics Int, Inc**, Boca Raton, FL (US)

(**) Term: **14 Years**

(21) Appl. No.: **29/370,899**

(22) Filed: **Sep. 21, 2010**

(51) **LOC (9) Cl.** **21-02**

(52) **U.S. Cl.** **D21/662**

(58) **Field of Classification Search** D21/662,
D21/672, 694; D8/333, 349, 356, 367; D2/624,
D2/627; D29/100, 101.1; 482/121-122,
482/126; 248/229.1, 339-340, 345, 694;
182/3, 5, 6; 24/3.4, 136 R, 298, 300-302,
24/599.1, 599.9, 601.5

See application file for complete search history.

(56) **References Cited**

U.S. PATENT DOCUMENTS

421,328	A *	2/1890	Strohbach	24/136 R
482,813	A *	9/1892	Schwarz	182/193
874,647	A *	12/1907	Wlatnigg	24/599.1
2,097,376	A *	10/1937	Marshman	482/124
2,246,630	A *	6/1941	Johnson	294/19.1
3,170,206	A *	2/1965	Triplett	24/298
3,877,679	A *	4/1975	Lowe	248/694
3,965,542	A *	6/1976	Gregory	24/136 R
D272,518	S *	2/1984	Smith	D8/382
D305,446	S *	1/1990	Valentine	D21/672
D310,017	S *	8/1990	Matthews	D8/356
D423,913	S *	5/2000	Dougan, Jr.	D8/356

D424,638	S *	5/2000	Urso	D21/662
D459,557	S *	6/2002	Rea	D30/151
D460,344	S *	7/2002	Smith	D8/367
D468,997	S *	1/2003	Chang	D8/356
D488,710	S *	4/2004	Holton	D8/367
7,093,329	B1 *	8/2006	Chiu	24/301
D573,875	S *	7/2008	Anderson	D8/367
D580,257	S *	11/2008	Squyres	D8/349
7,562,856	B2 *	7/2009	Arakawa	248/339
7,785,243	B2 *	8/2010	Kassel	482/122
7,819,787	B2 *	10/2010	Kassel	482/122
D628,461	S *	12/2010	Stein et al.	D8/356
2008/0060872	A1 *	3/2008	Wise	182/3
2010/0101892	A1 *	4/2010	Elders et al.	182/3

* cited by examiner

Primary Examiner — Susan E Krakower

(74) *Attorney, Agent, or Firm* — Dan M. DeLaRosa

(57) **CLAIM**

The ornamental design for an exercise and fitness device with extended sleeve and carabineer, as shown and described.

DESCRIPTION

FIG. 1 is a front perspective view of an exercise and fitness device with extended sleeve and carabineer of the present invention showing my new design;

FIG. 2 is a front elevational view thereof;

FIG. 3 is a back elevational view thereof;

FIG. 4 is a side elevational view thereof;

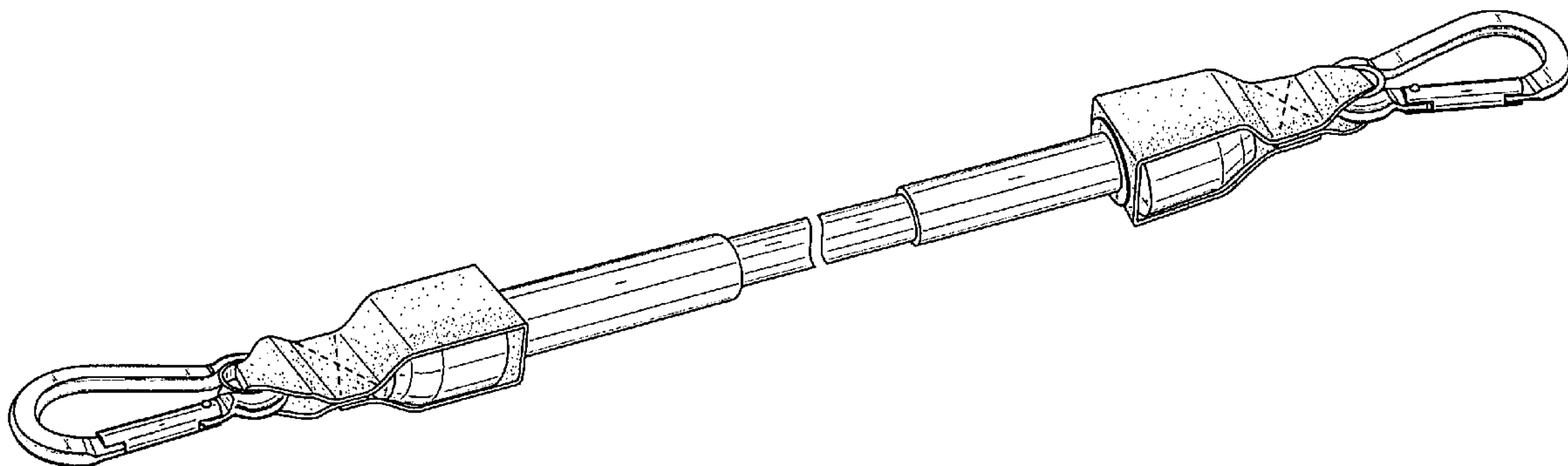
FIG. 5 is an opposite side elevational view thereof;

FIG. 6 is a top plan view thereof; and,

FIG. 7 is a bottom plan view thereof.

It is understood that the broken lines within the surface of the claimed design indicate stitch lines which forms part of the claimed design .

1 Claim, 4 Drawing Sheets



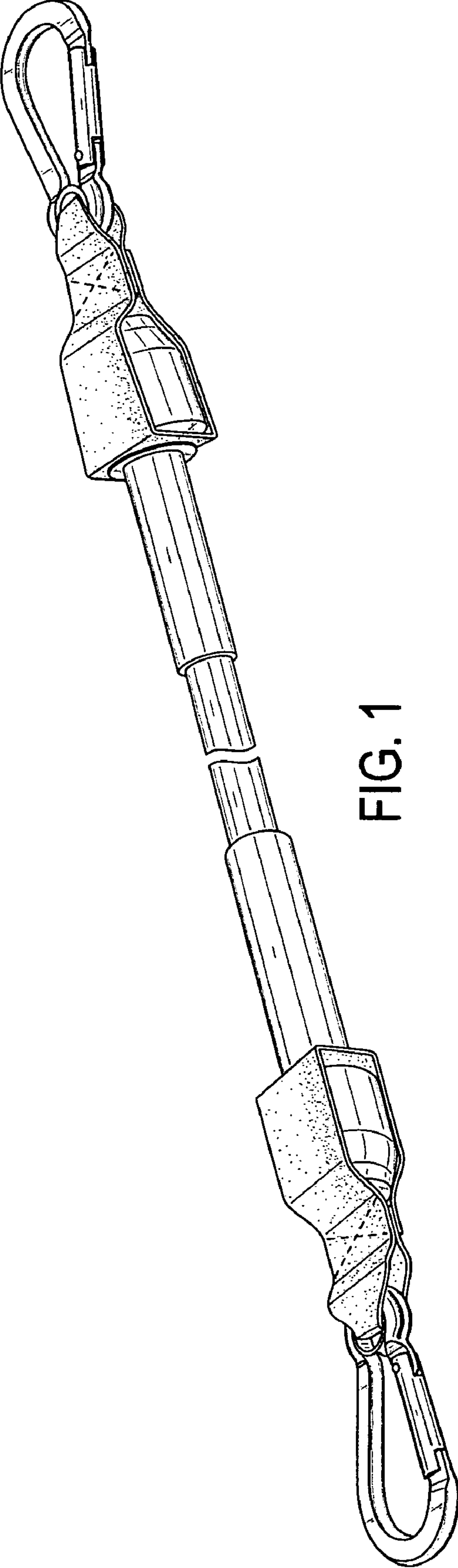


FIG. 1

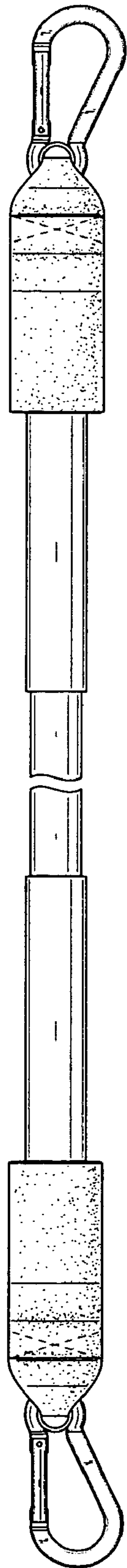


FIG. 2

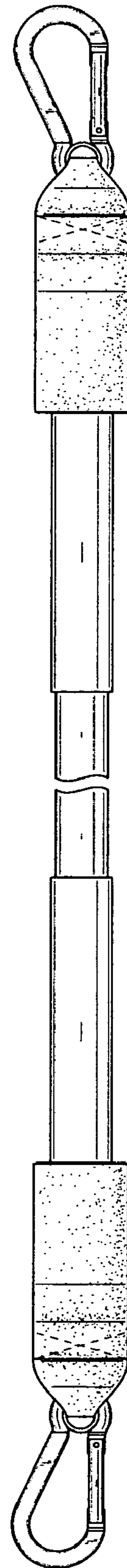


FIG. 3

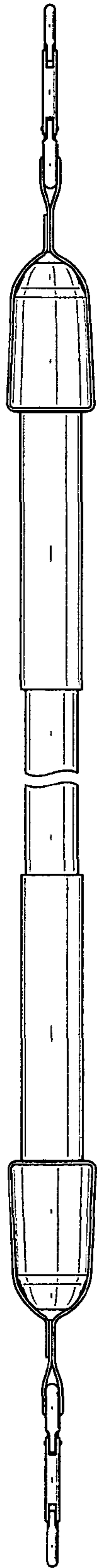


FIG. 4

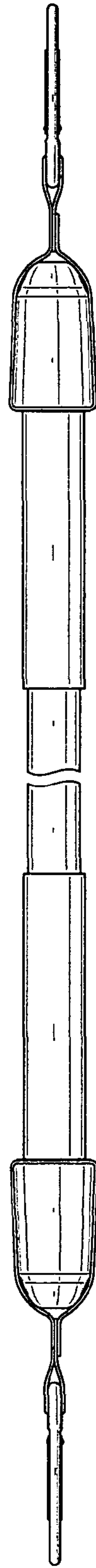


FIG. 5

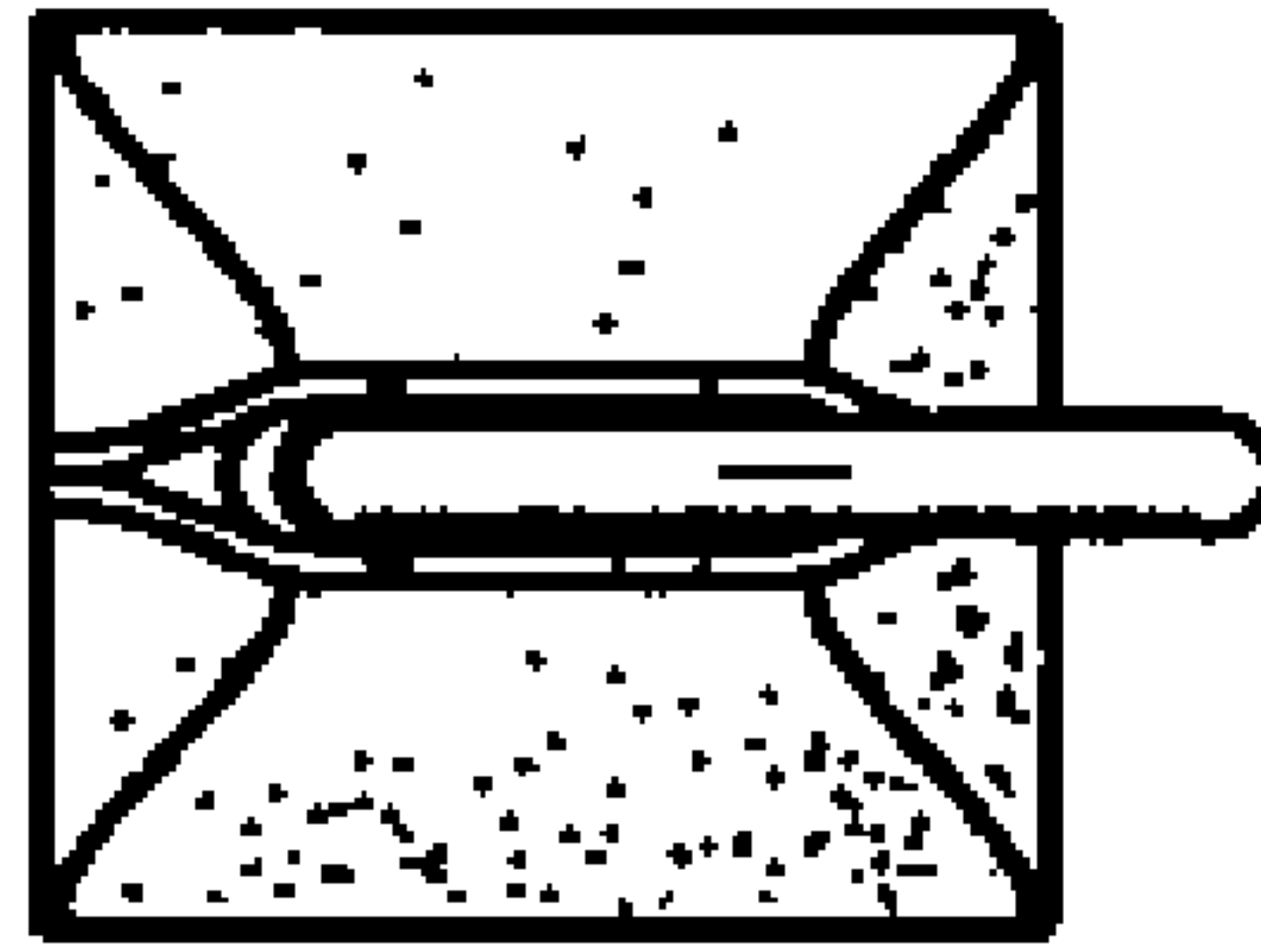


FIG. 6

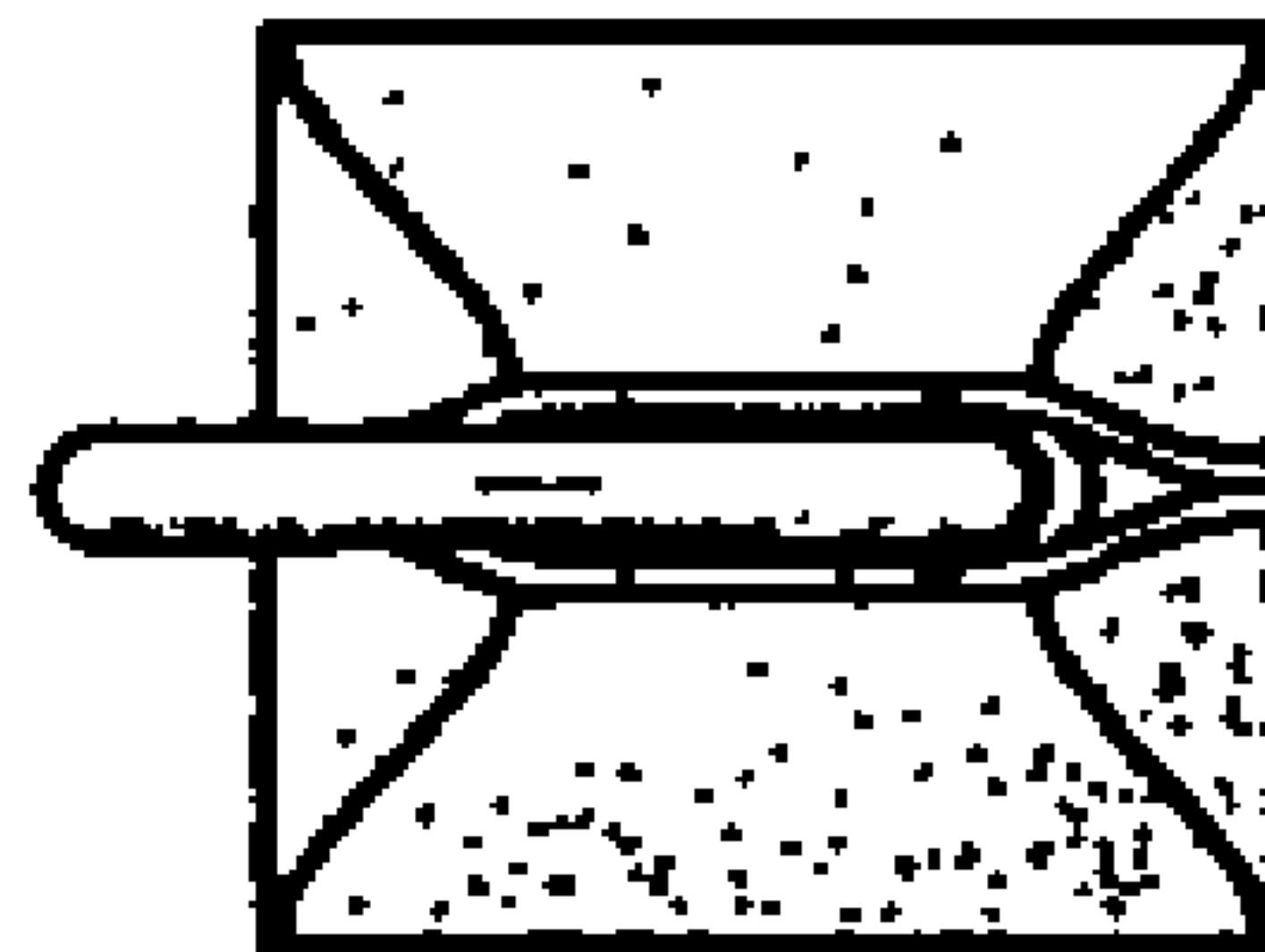


FIG. 7