



US00D639354S

(12) **United States Design Patent**
Weeks

(10) **Patent No.:** **US D639,354 S**

(45) **Date of Patent:** **** Jun. 7, 2011**

(54) **FOLDABLE TOY ROBOT**

(75) Inventor: **David Weeks**, Brooklyn, NY (US)

(73) Assignee: **David Weeks Studio LLC**, Brooklyn, NY (US)

(**) Term: **14 Years**

(21) Appl. No.: **29/381,642**

(22) Filed: **Dec. 21, 2010**

(51) **LOC (9) Cl.** **21-01**

(52) **U.S. Cl.** **D21/579; D21/581**

(58) **Field of Classification Search** D21/578-583,
D21/621, 622; 446/268, 360, 361, 376, 379,
446/382-384; D15/199

See application file for complete search history.

(56) **References Cited**

U.S. PATENT DOCUMENTS

2,106,148	A	*	1/1938	Kellner	446/97
D204,394	S	*	4/1966	Wendt	D21/578
D233,238	S	*	10/1974	Reed et al.	D19/62
D252,936	S	*	9/1979	Tibbitts, Jr.	D21/578
D272,933	S	*	3/1984	Murakami	D21/578
D306,621	S	*	3/1990	Doi	D21/513
D306,622	S	*	3/1990	Doi	D21/578
D312,283	S	*	11/1990	Fenton	D21/580
D389,203	S	*	1/1998	Glickman et al.	D21/578
D420,064	S	*	2/2000	Poirier et al.	D21/621

D474,514	S	*	5/2003	Price et al.	D21/594
D536,044	S	*	1/2007	Ban	D21/578
D593,164	S	*	5/2009	Sonoda	D21/578

* cited by examiner

Primary Examiner — Zenia Bennett

(74) *Attorney, Agent, or Firm* — Cascio & Zervas

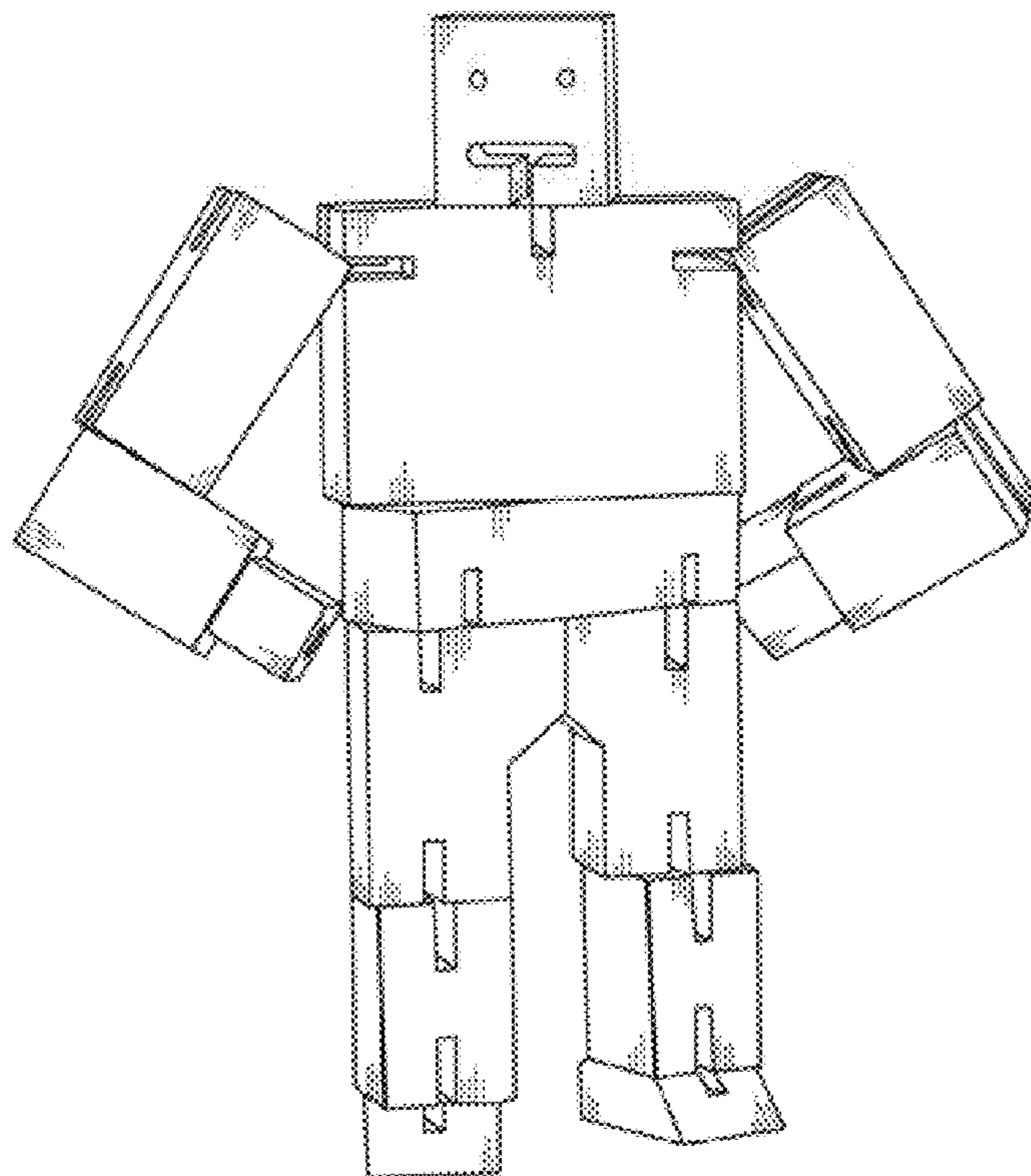
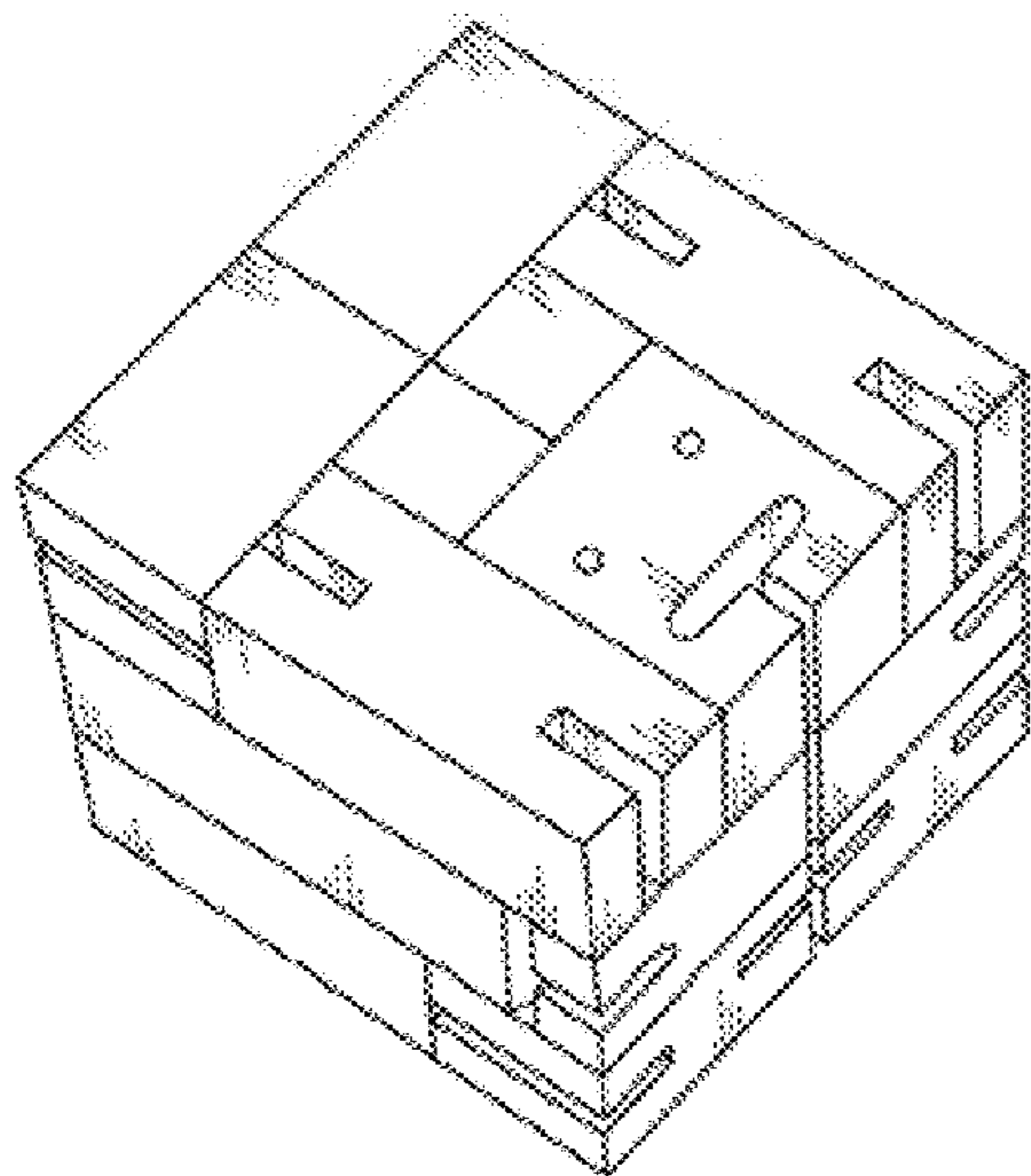
(57) **CLAIM**

The ornamental design for a foldable toy robot, as shown and described.

DESCRIPTION

FIG. 1 is a front elevational view of the foldable toy robot showing my design;
 FIG. 2 is a rear elevational view thereof;
 FIG. 3 is a top plan view thereof;
 FIG. 4 is a bottom plan view thereof;
 FIG. 5 is a left side elevational view thereof;
 FIG. 6 is a right side elevational view thereof;
 FIGS. 7 to 21 are perspective views depicting the sequence of unfolding the toy robot;
 FIG. 22 is a perspective view of the foldable toy robot on a reduced scale from a different position and with parts thereof in a first alternative position;
 FIG. 23 is a perspective view of the foldable toy robot on a reduced scale from a different position and with parts thereof in a second alternative position; and,
 FIG. 24 is a perspective view of the foldable toy robot on a reduced scale from a different position and with parts thereof in a third alternative position.

1 Claim, 7 Drawing Sheets



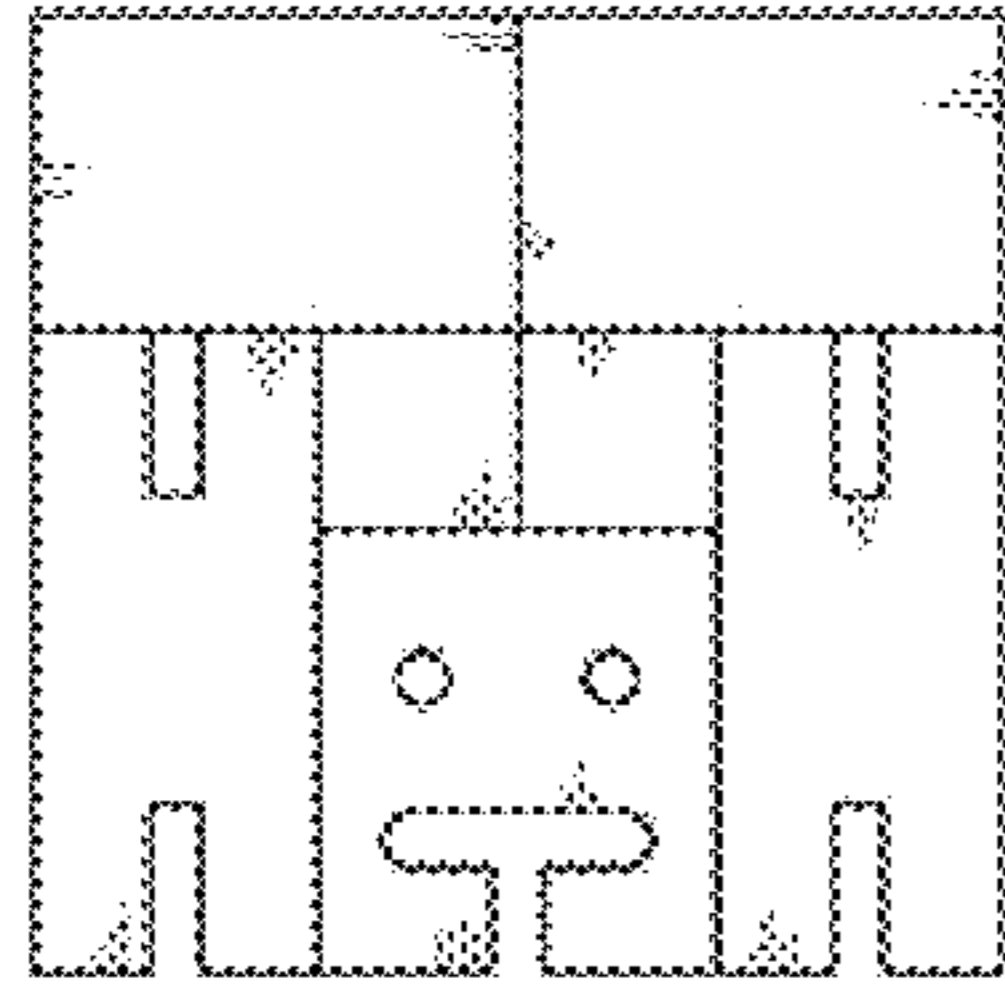


FIG. 1

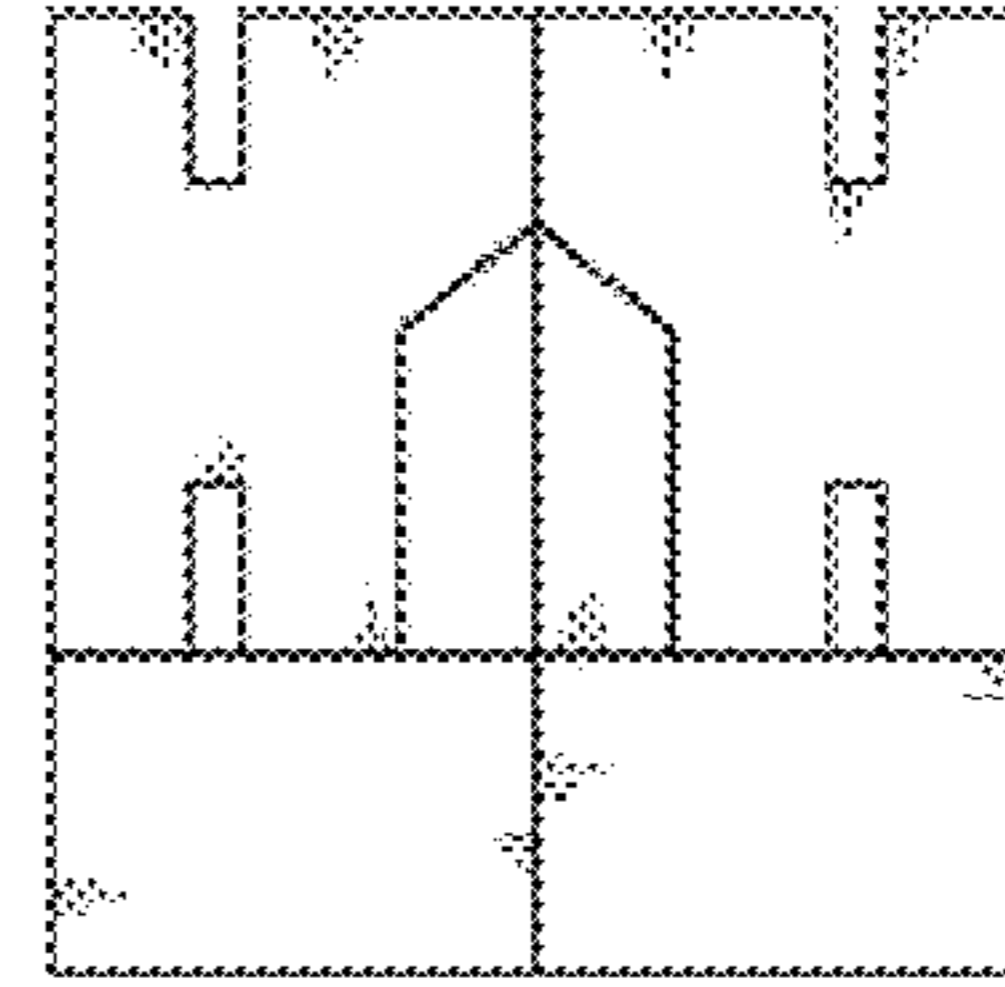


FIG. 2

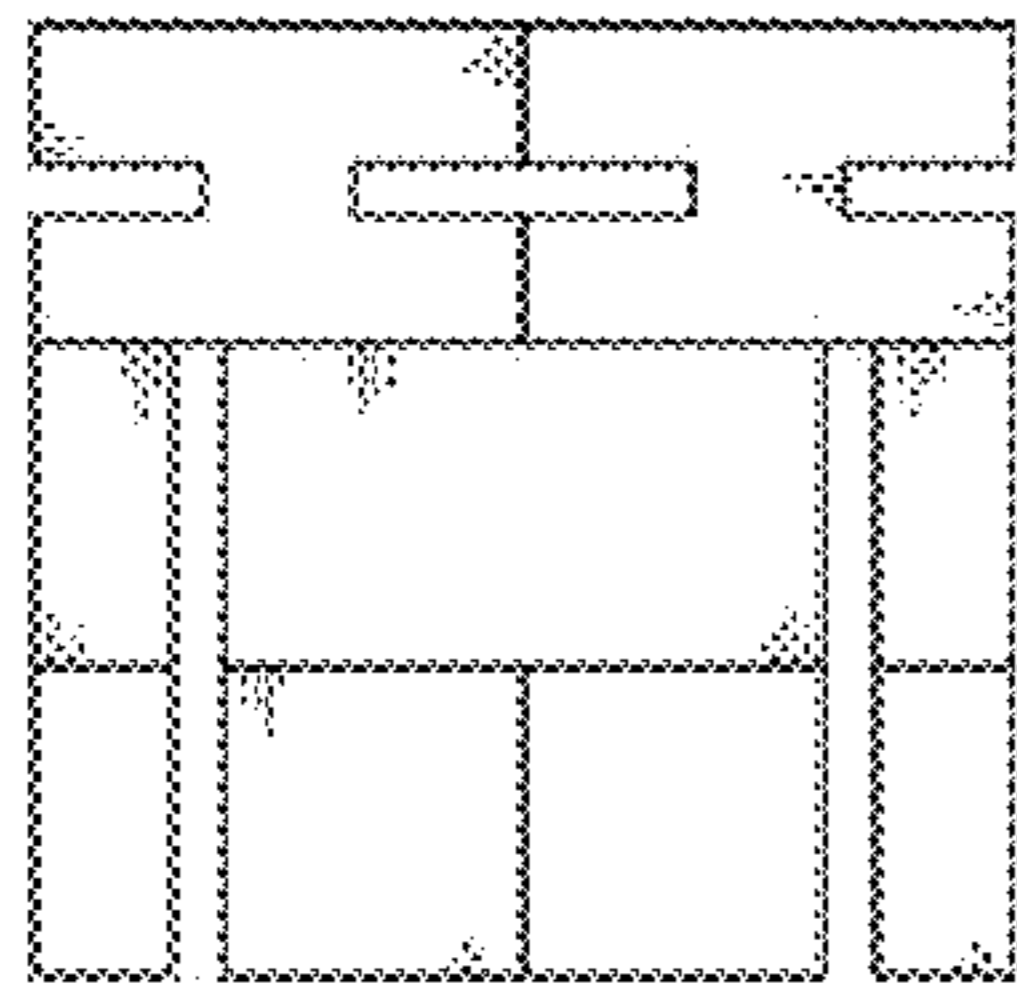


FIG. 3

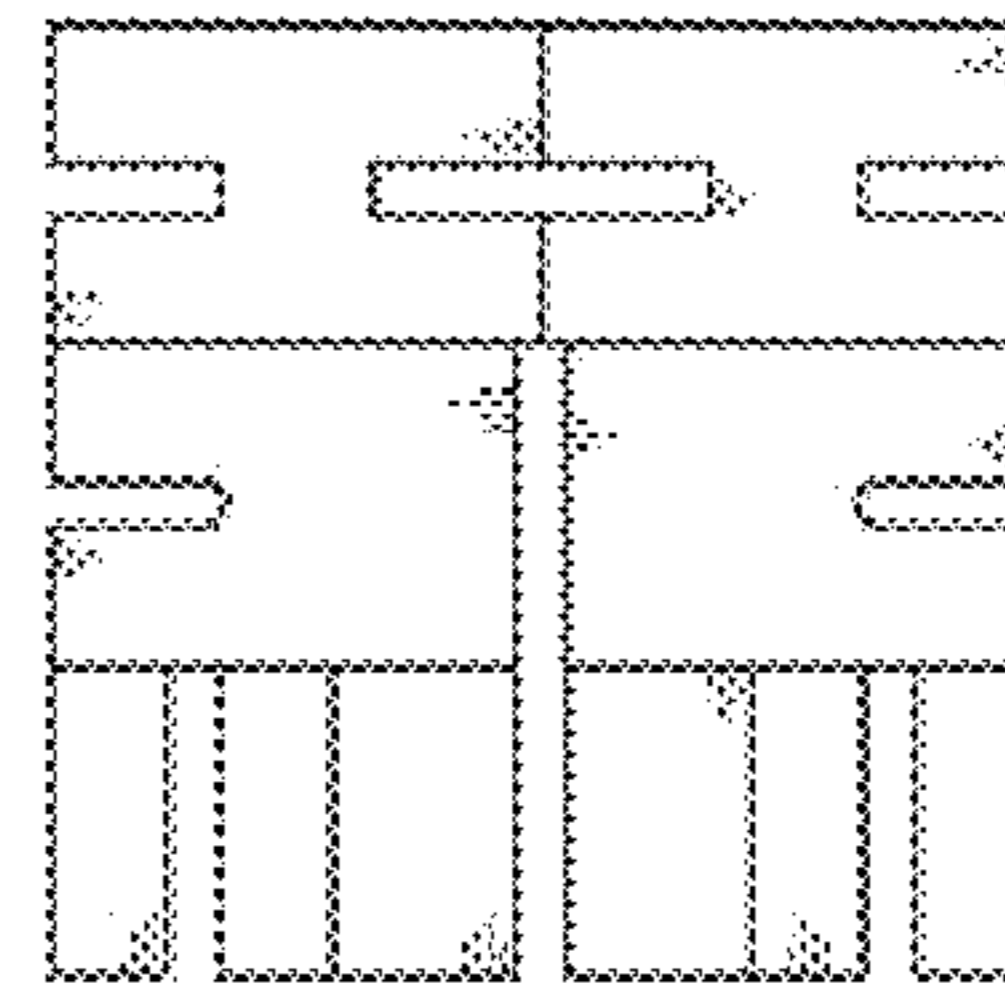


FIG. 4

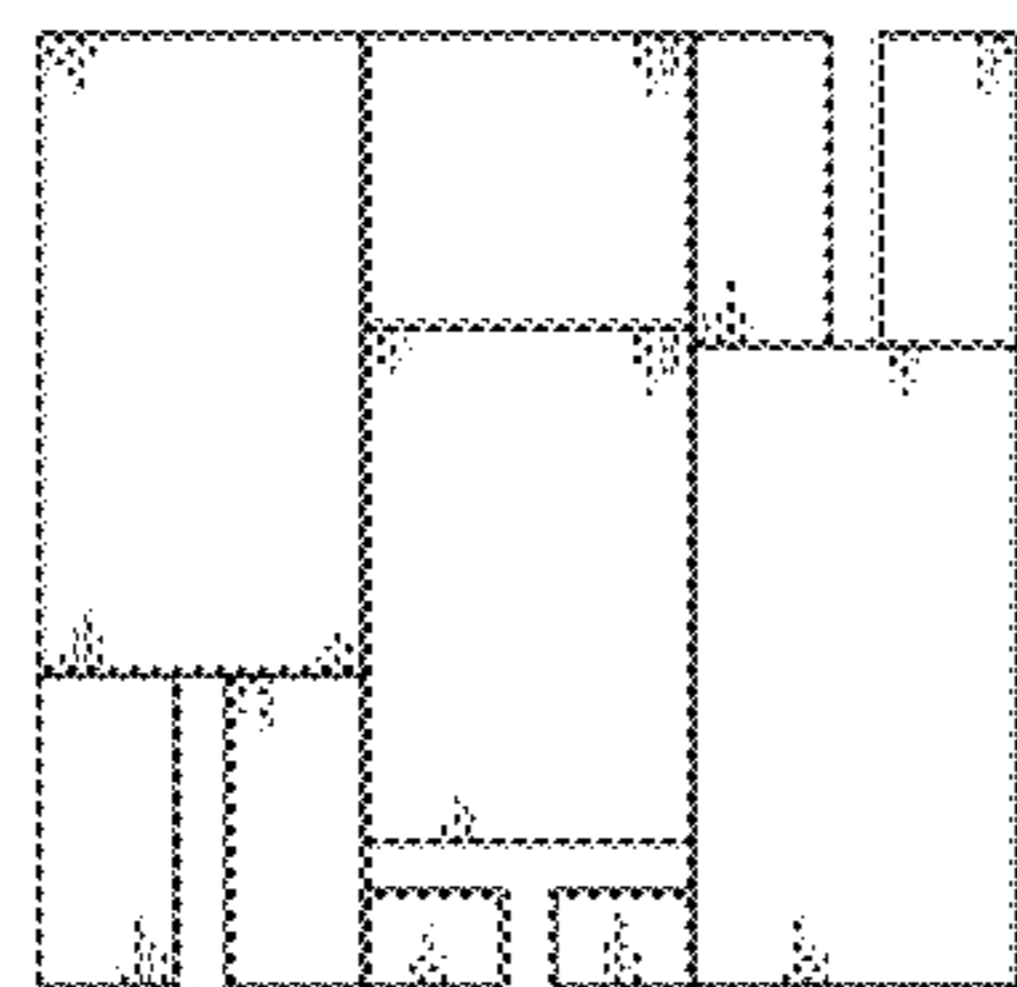


FIG. 5

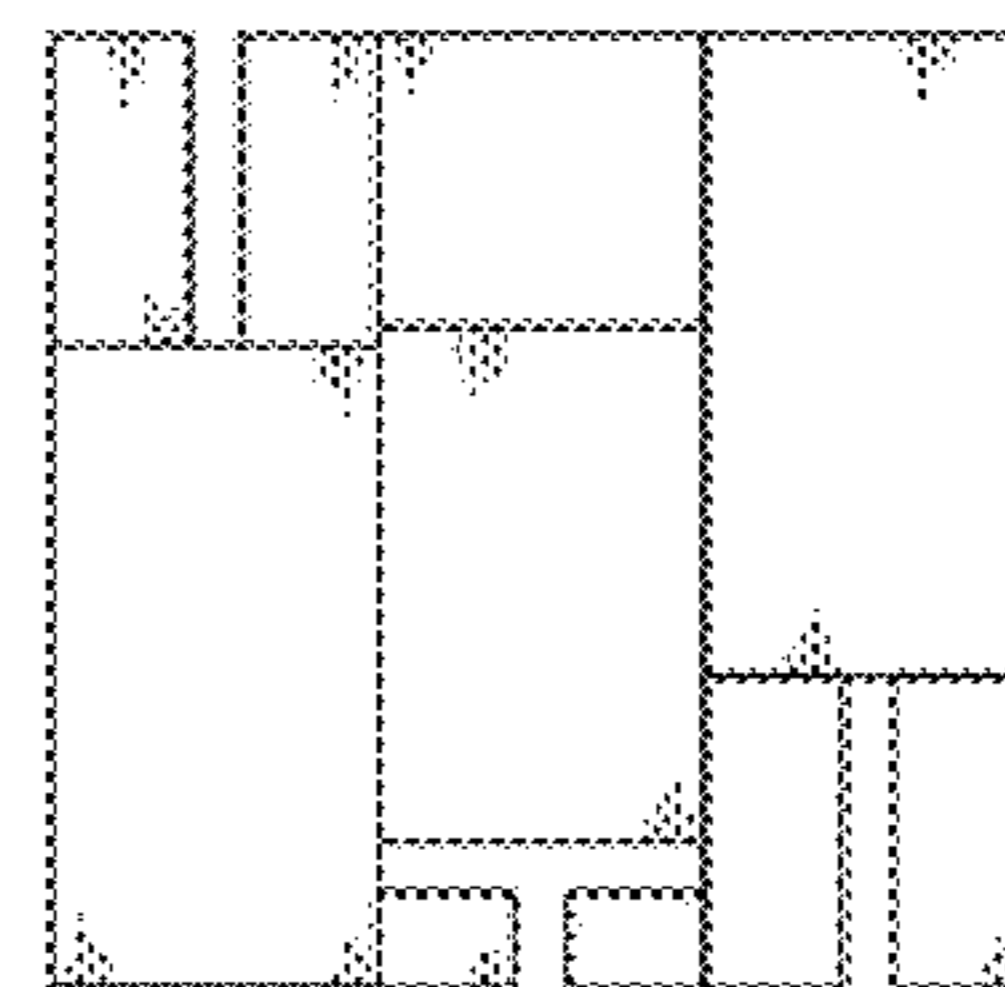


FIG. 6

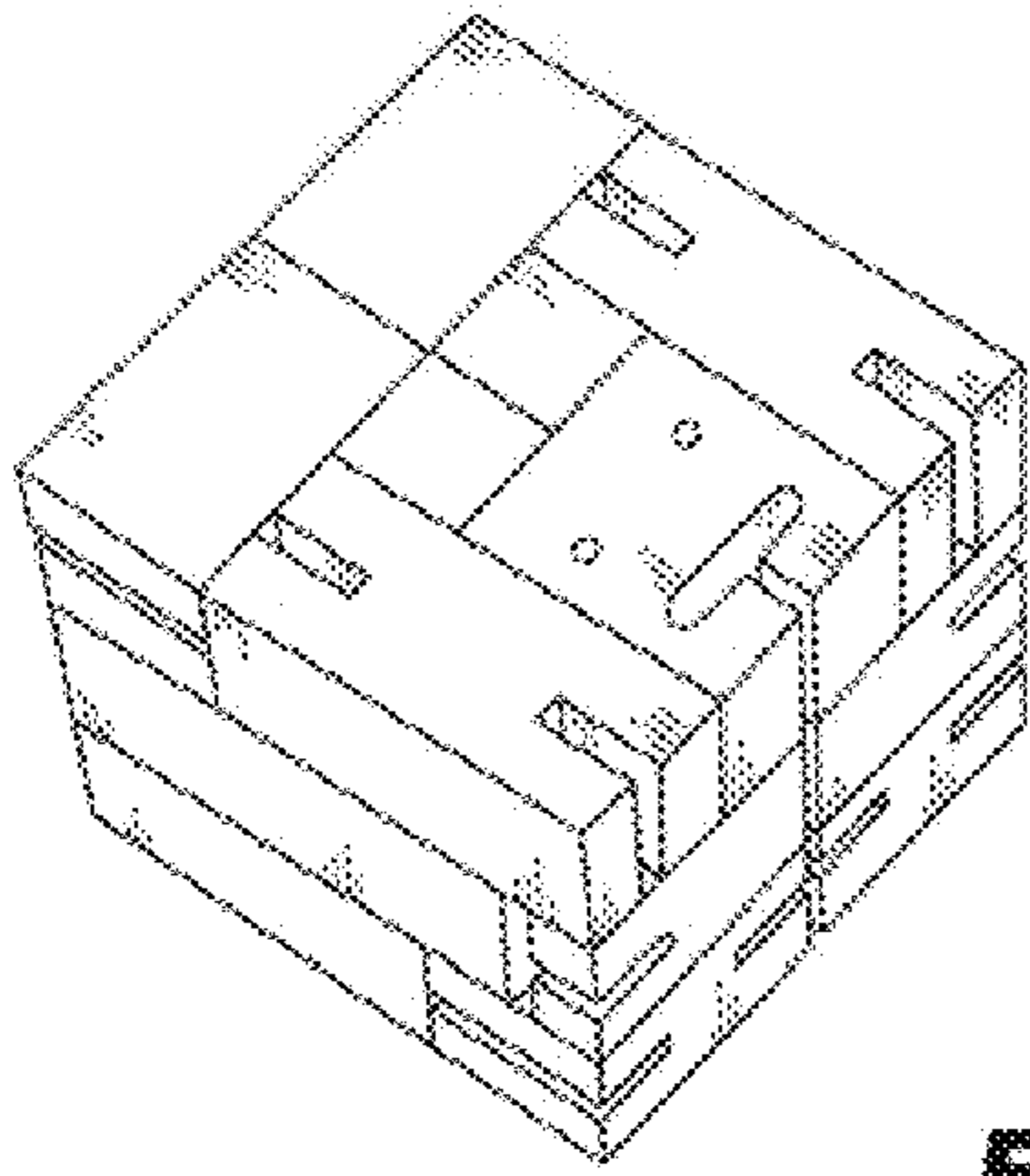


FIG. 7

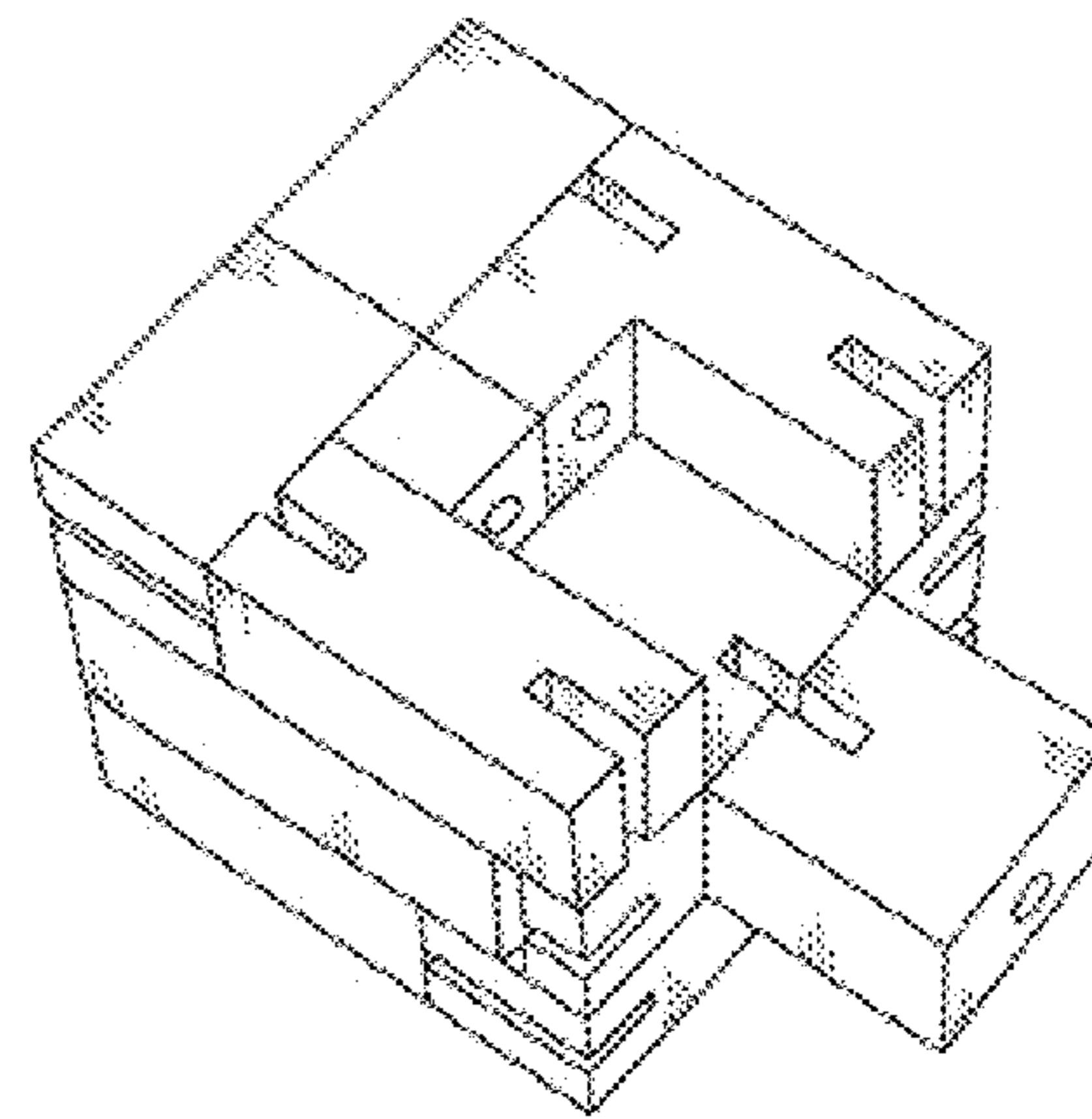


FIG. 8

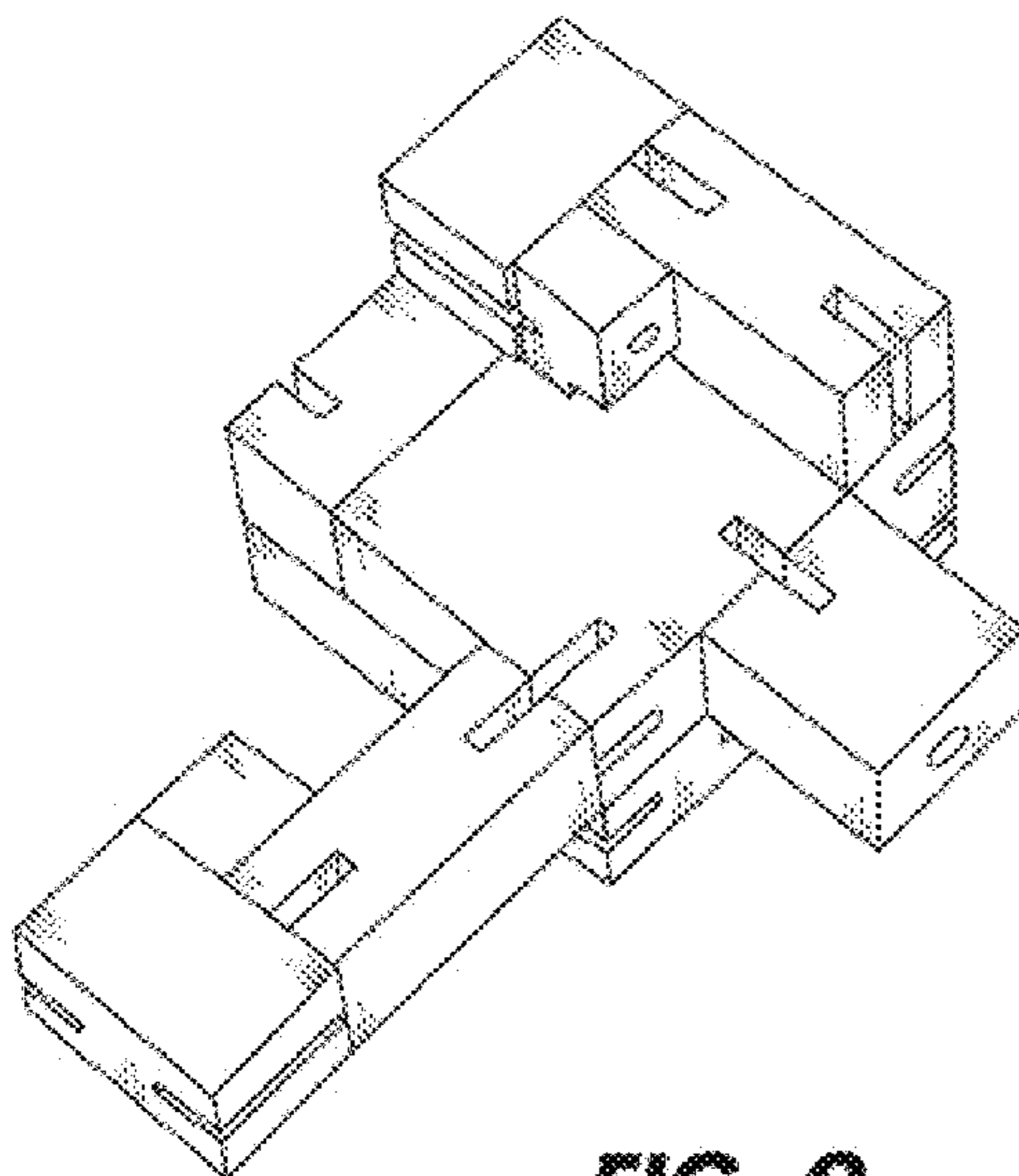


FIG. 9

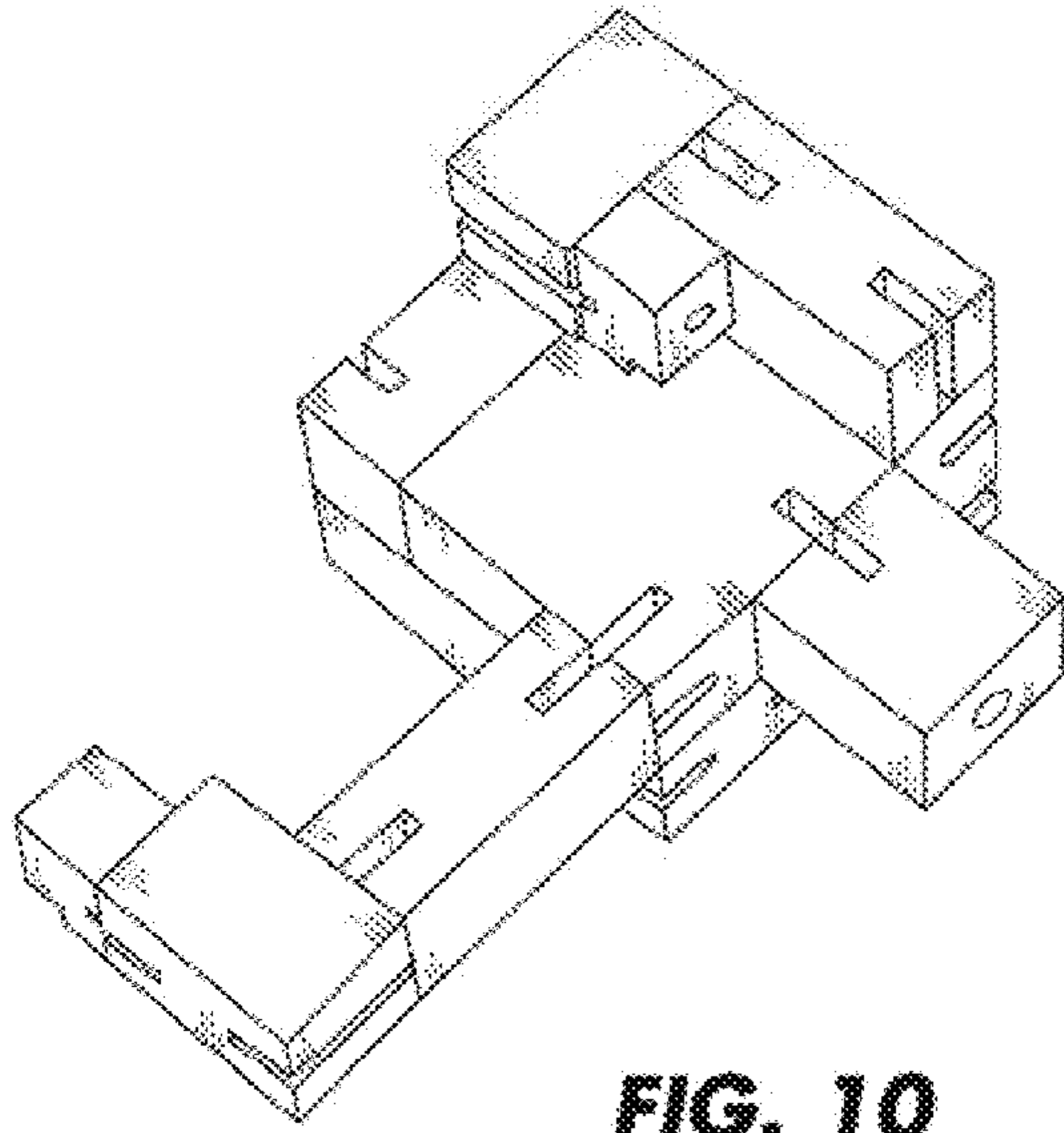


FIG. 10

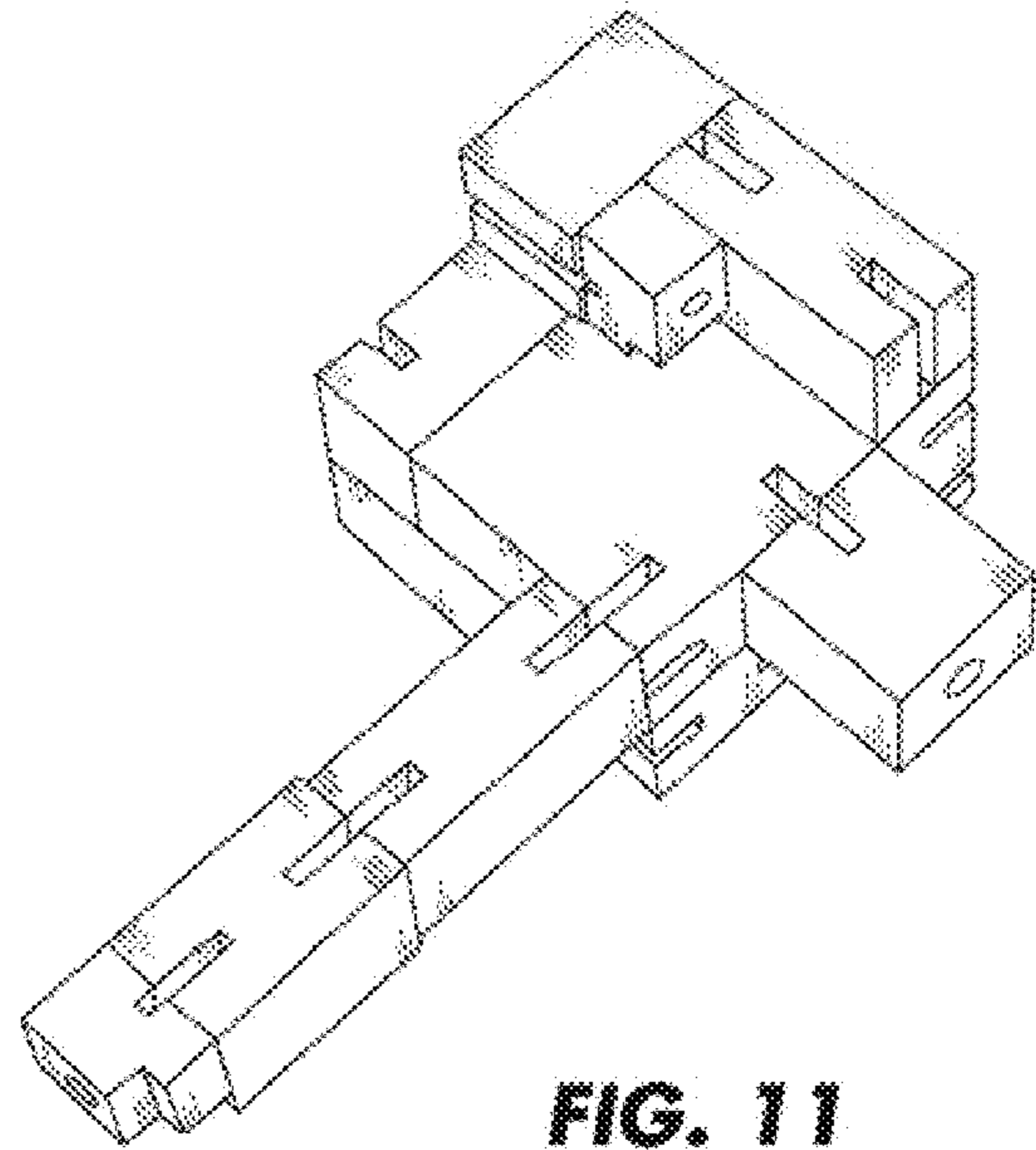


FIG. 11

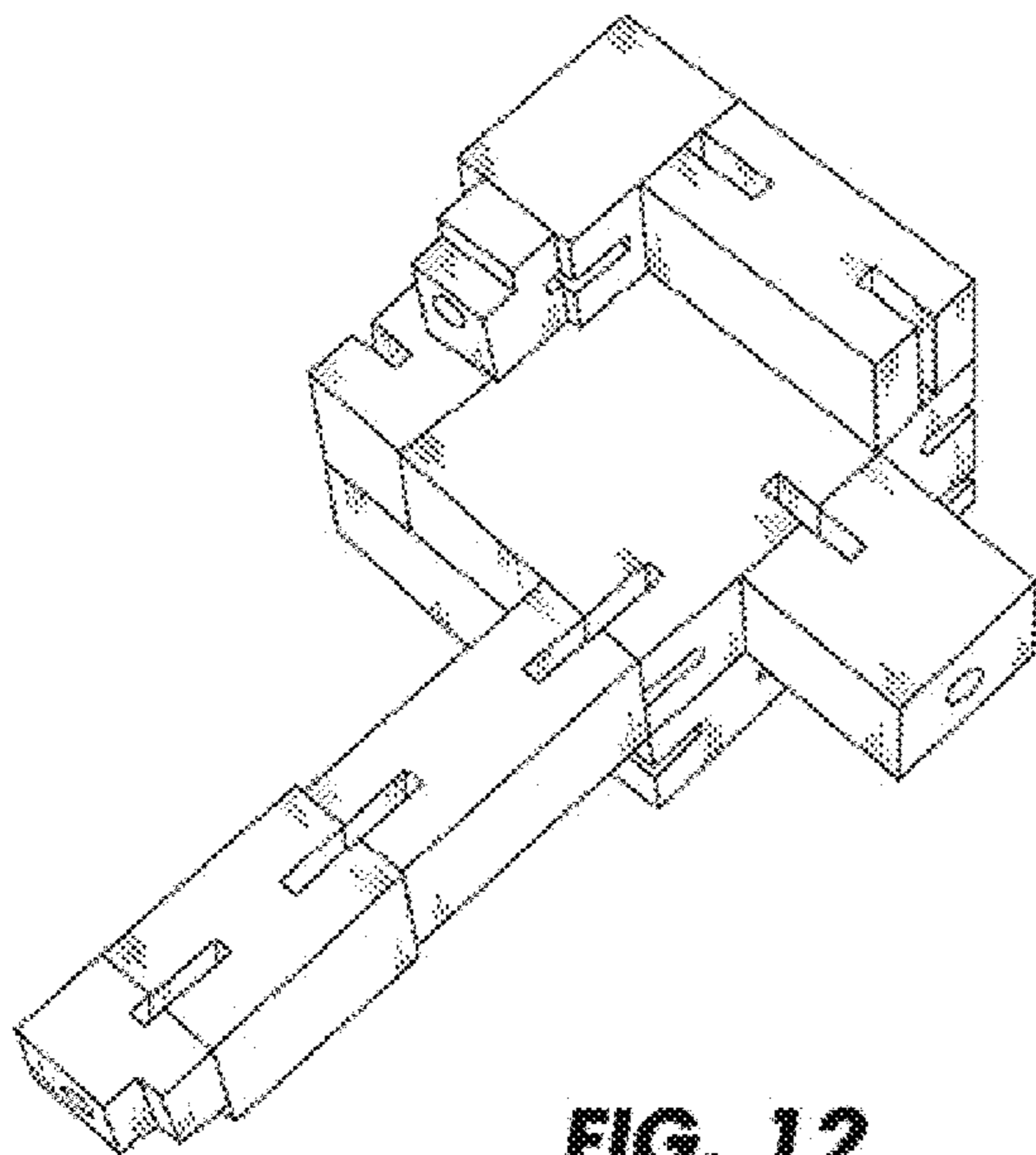


FIG. 12

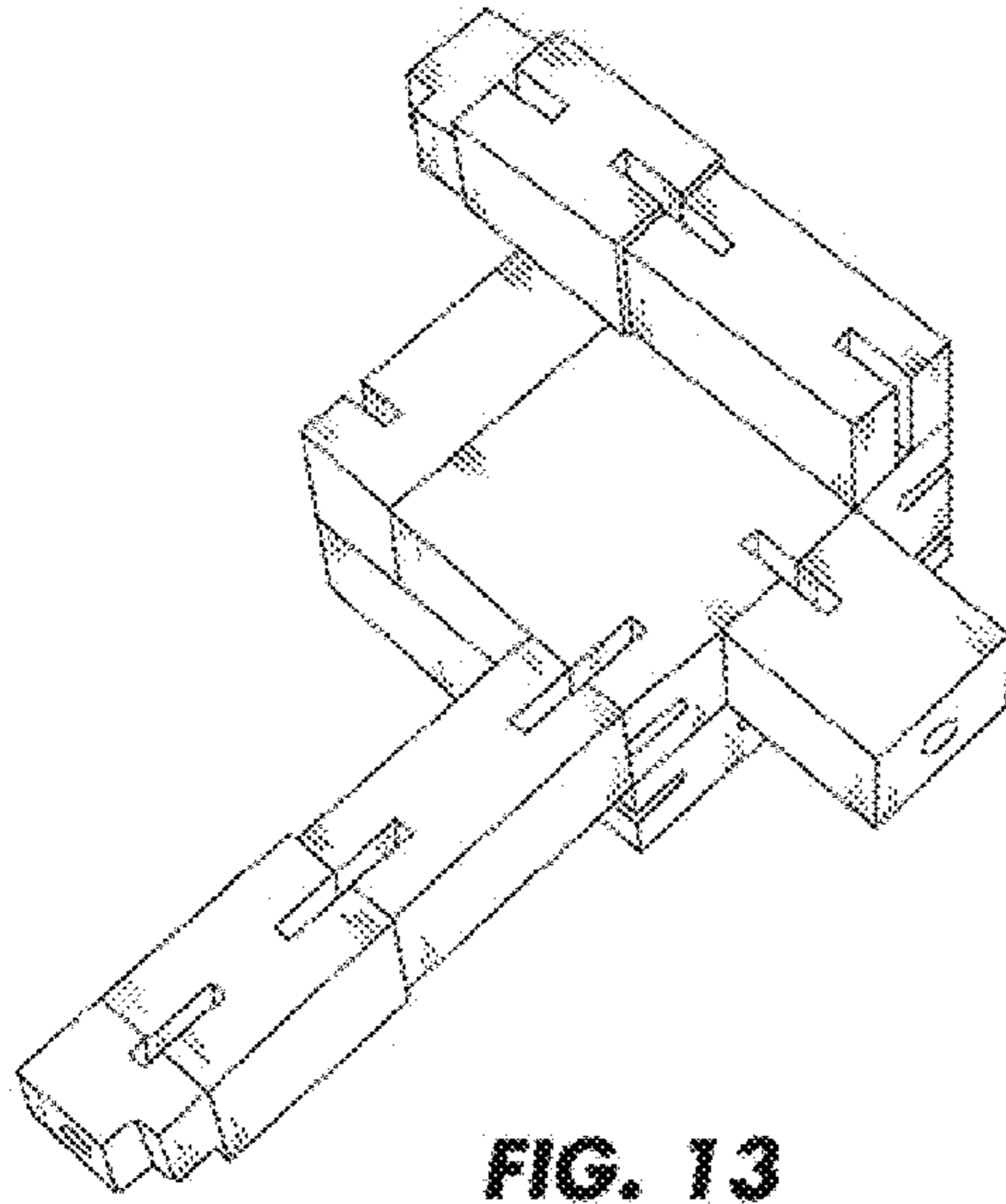


FIG. 13

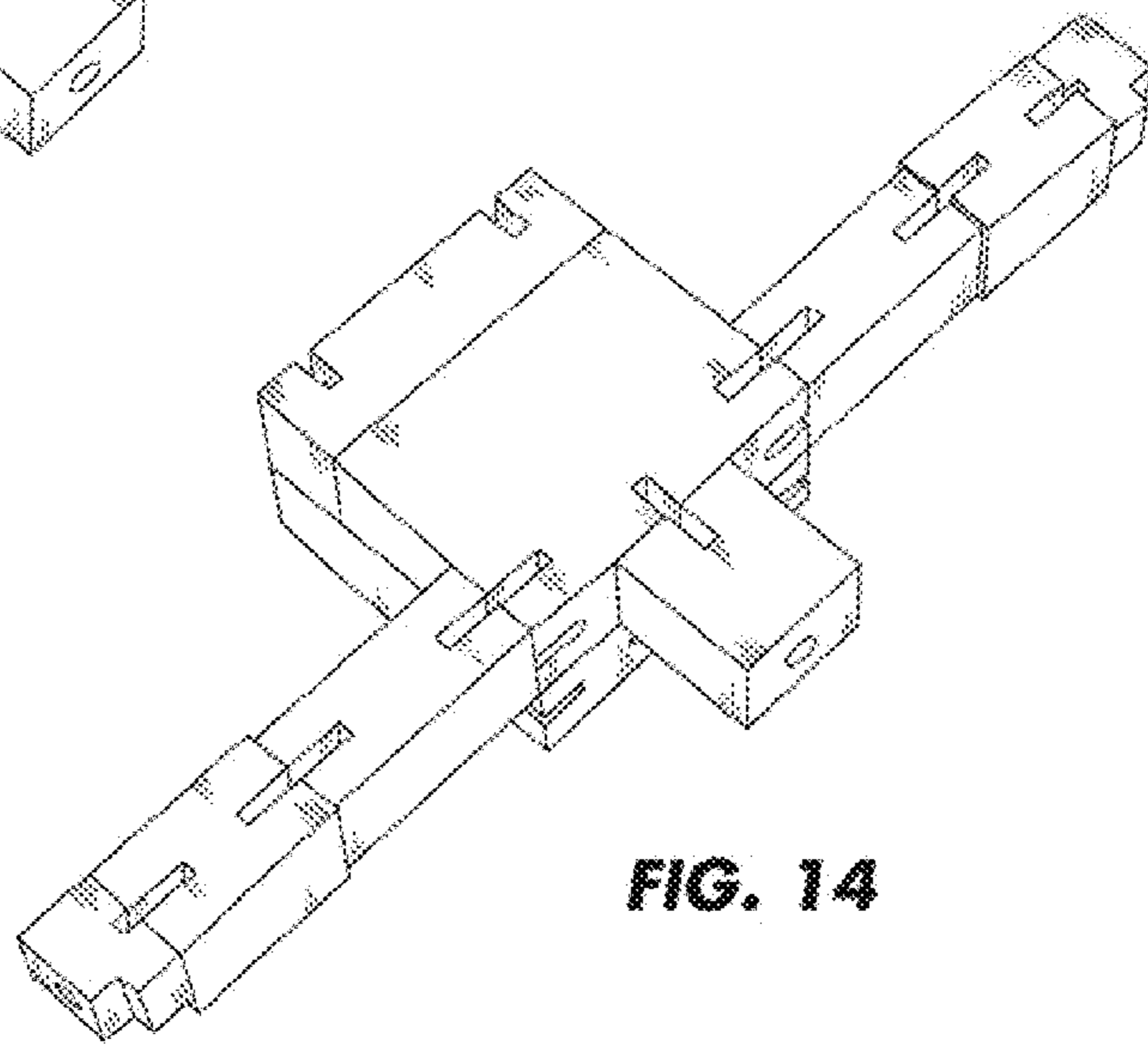


FIG. 14

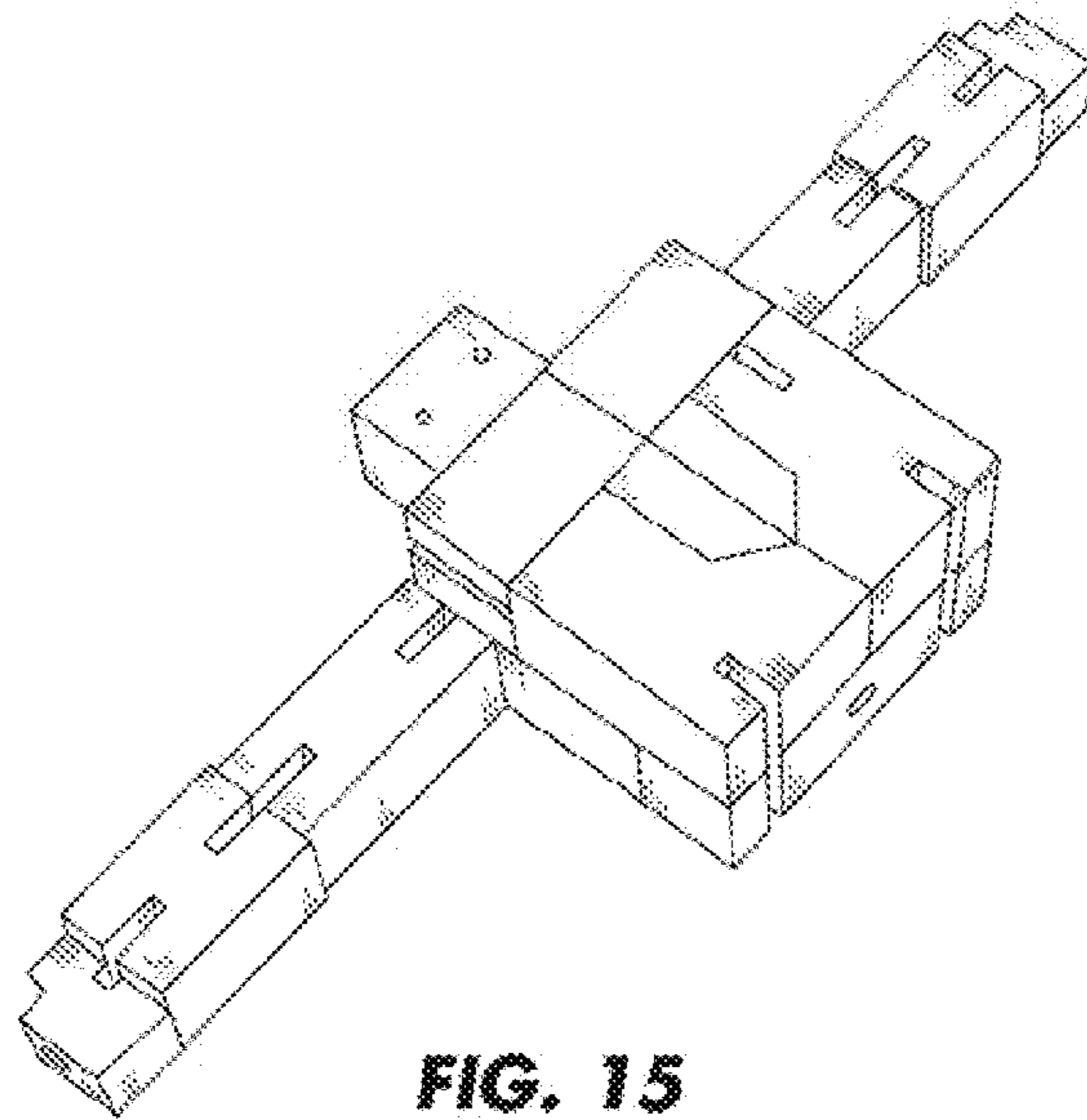
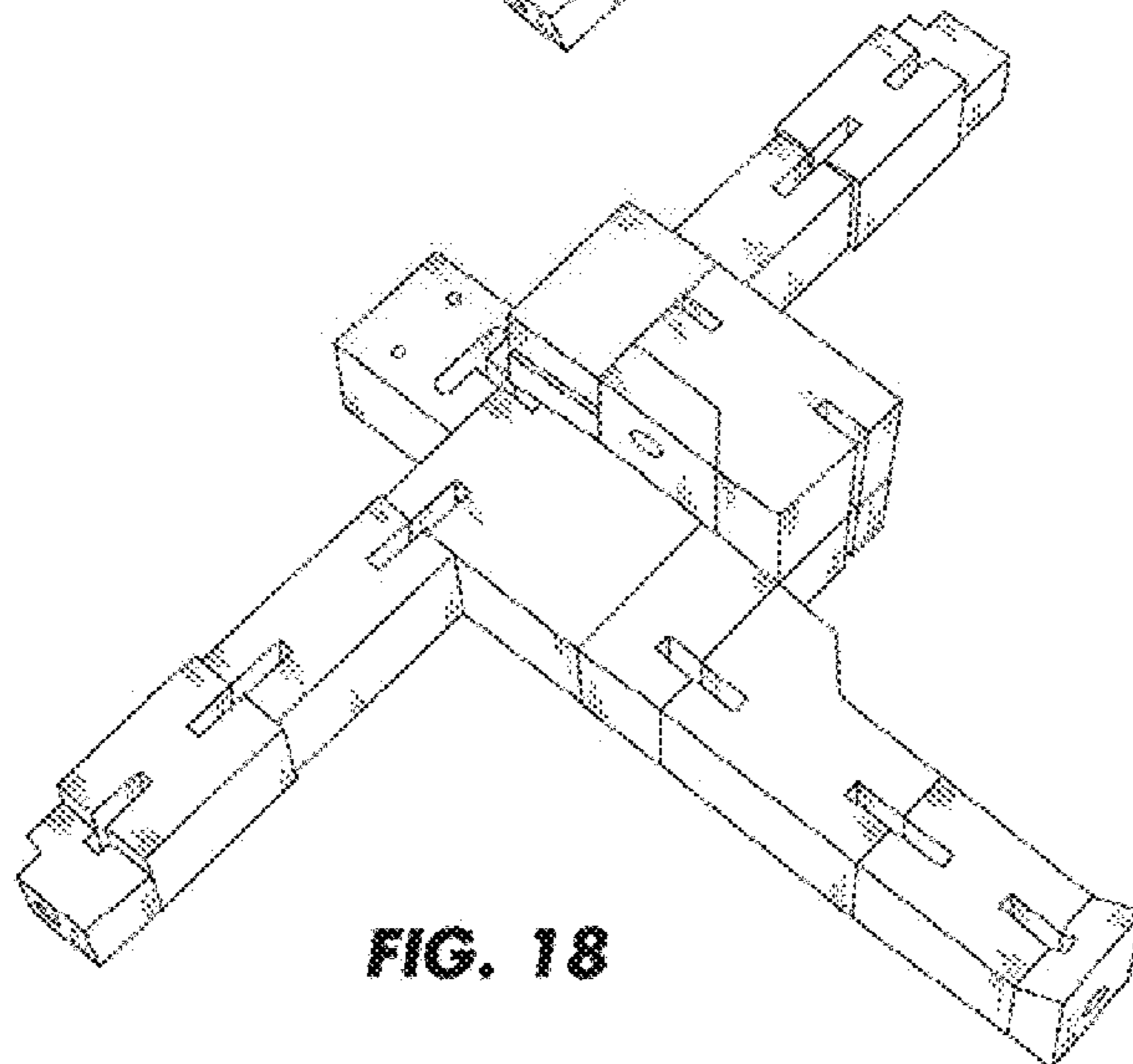
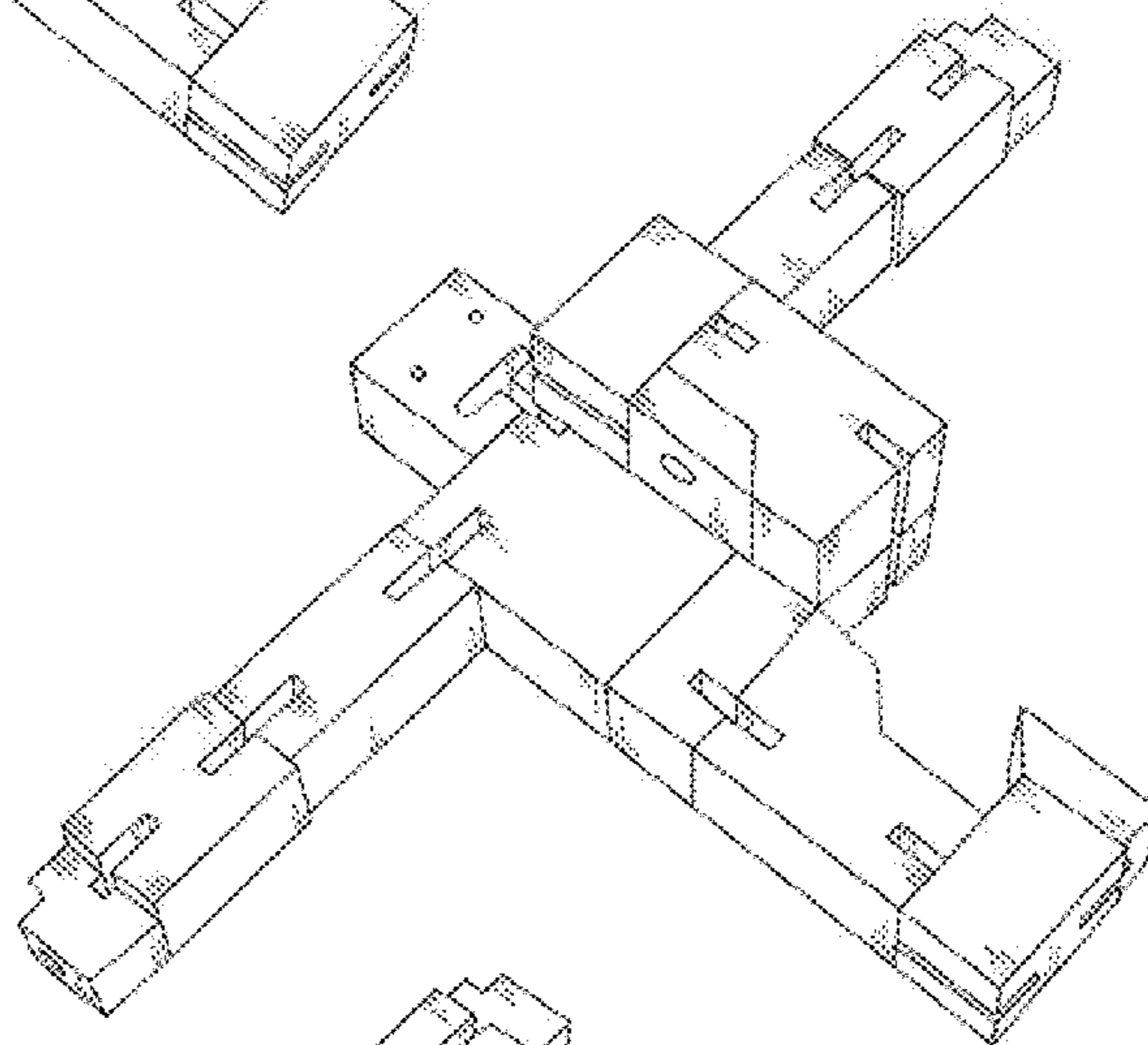
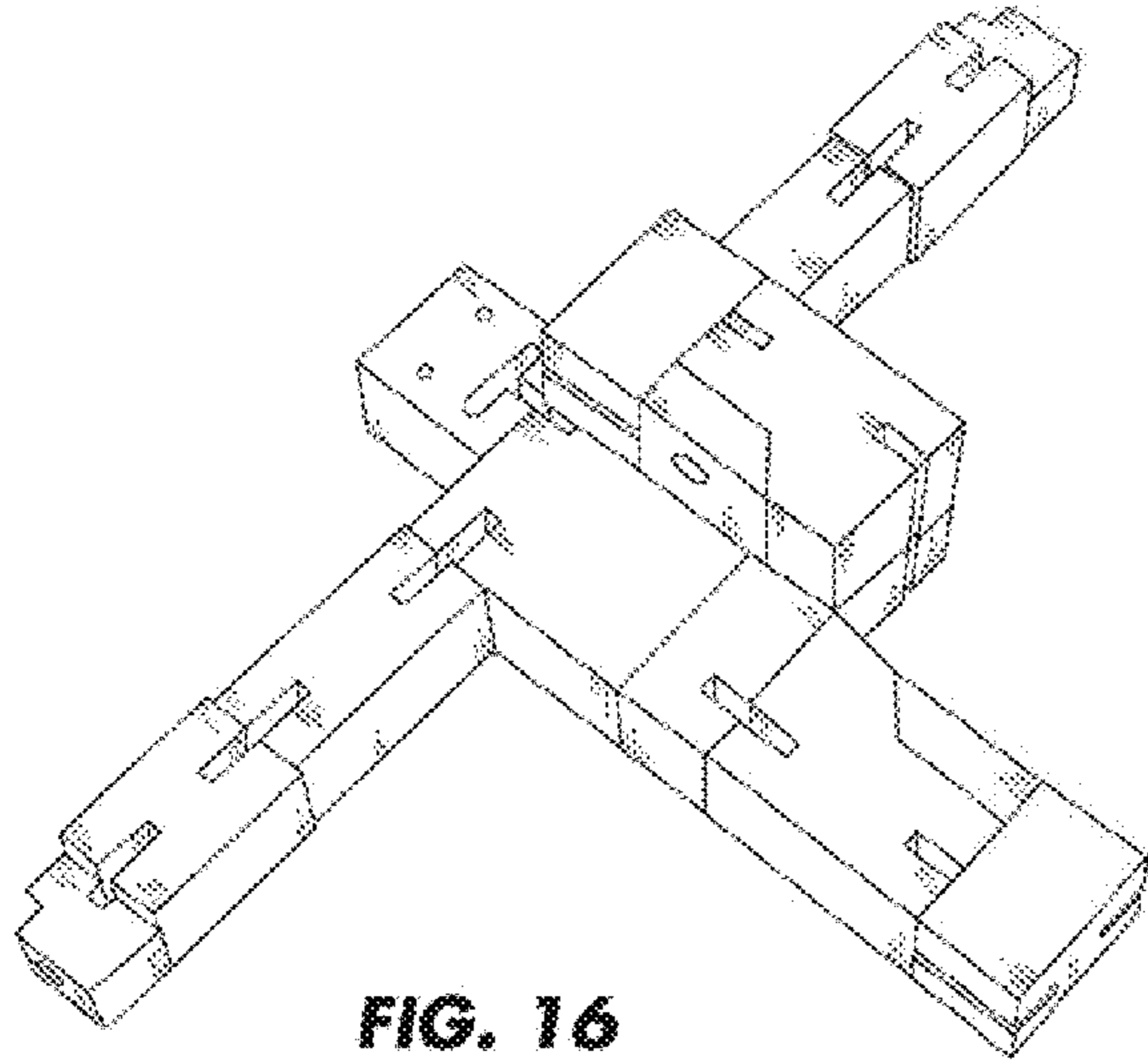


FIG. 15



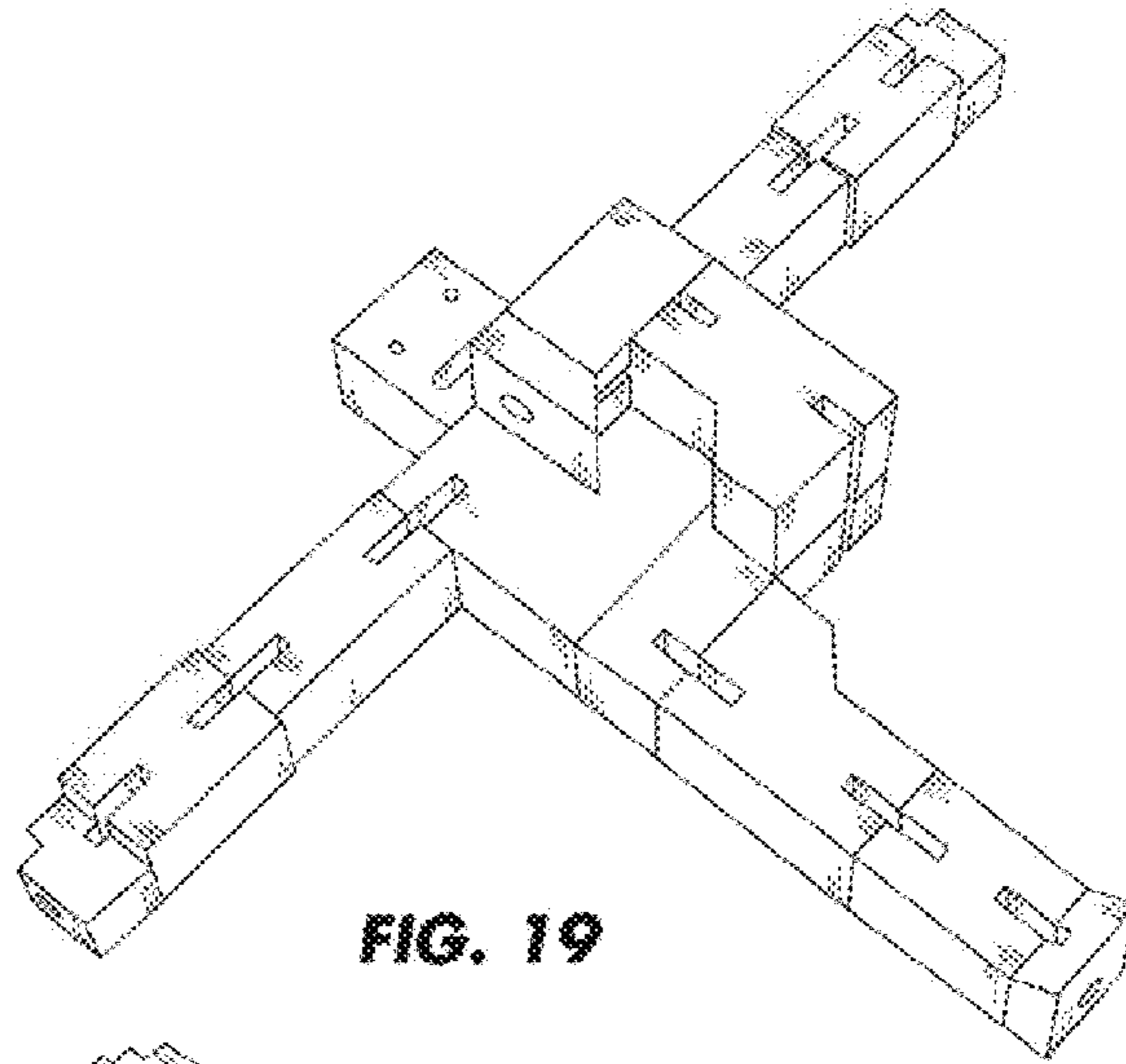


FIG. 19

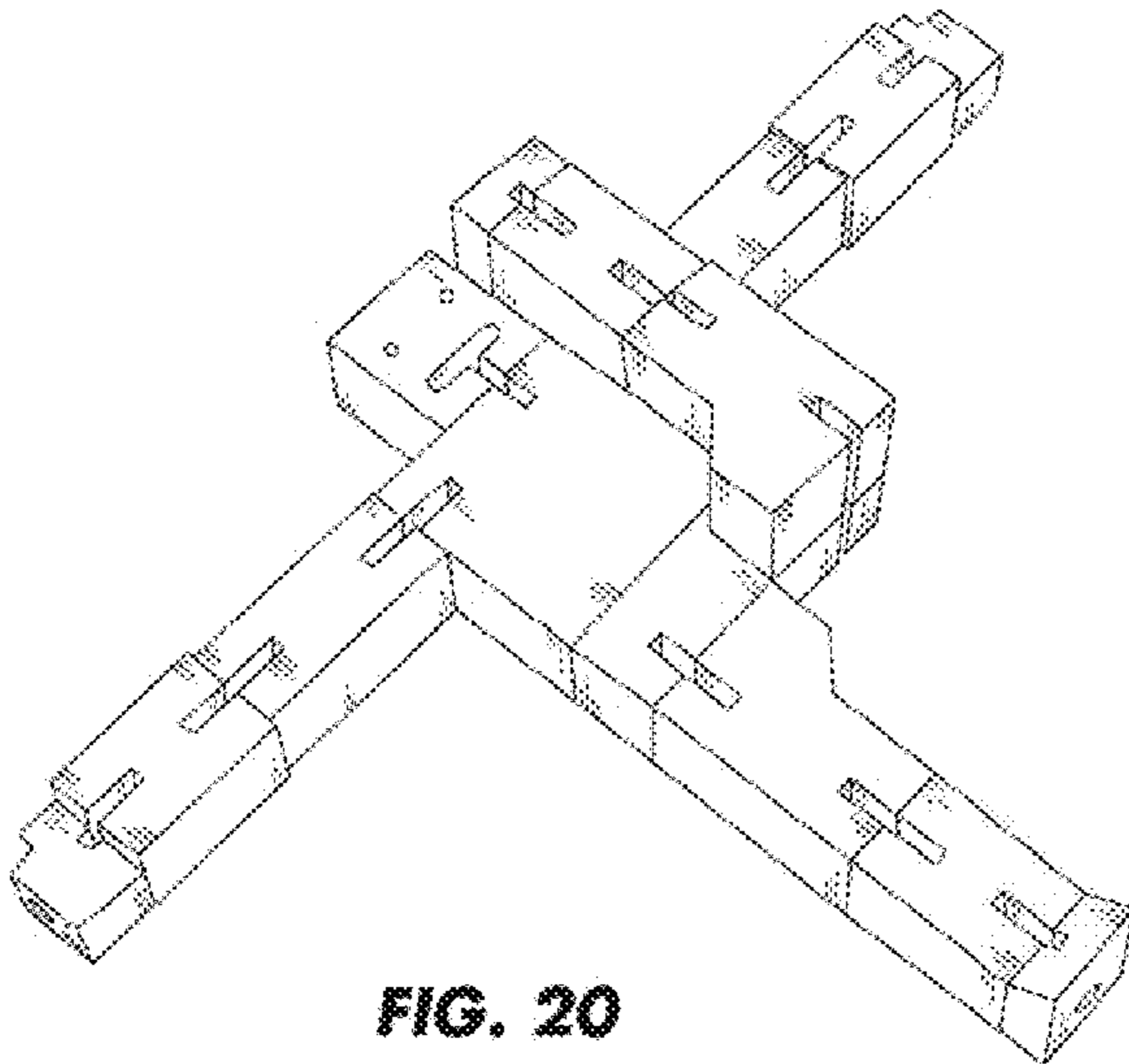


FIG. 20

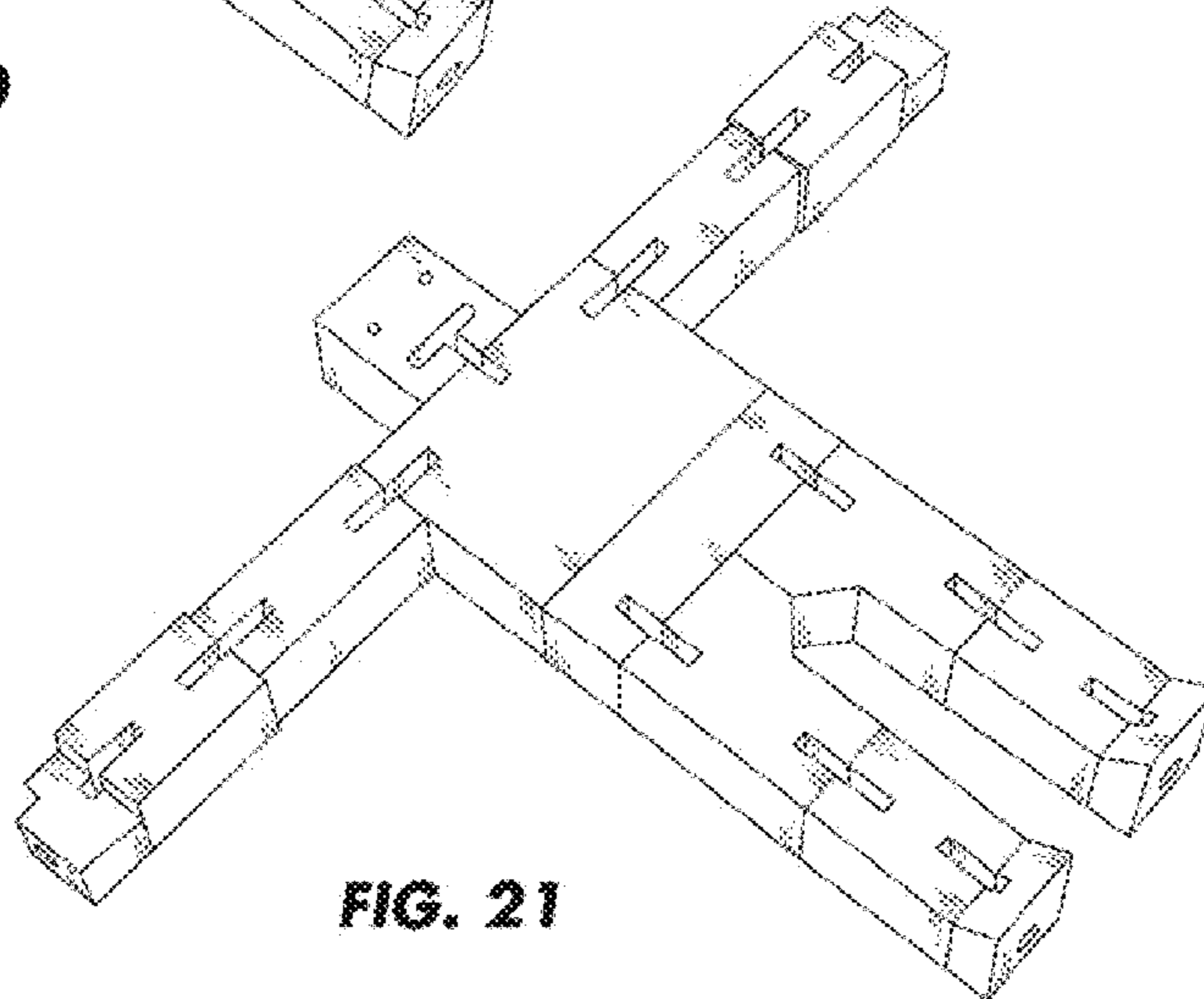


FIG. 21

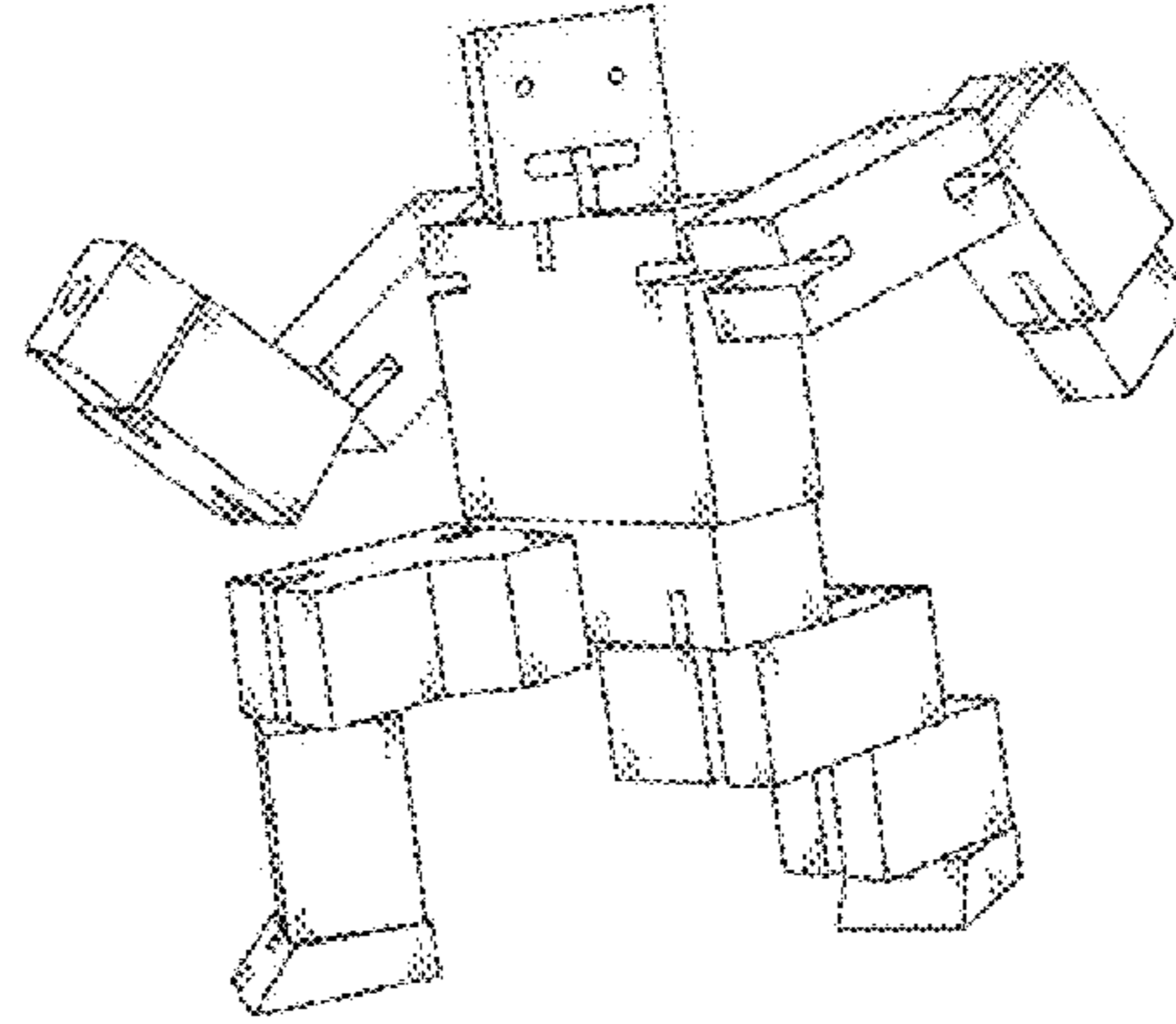


FIG. 22

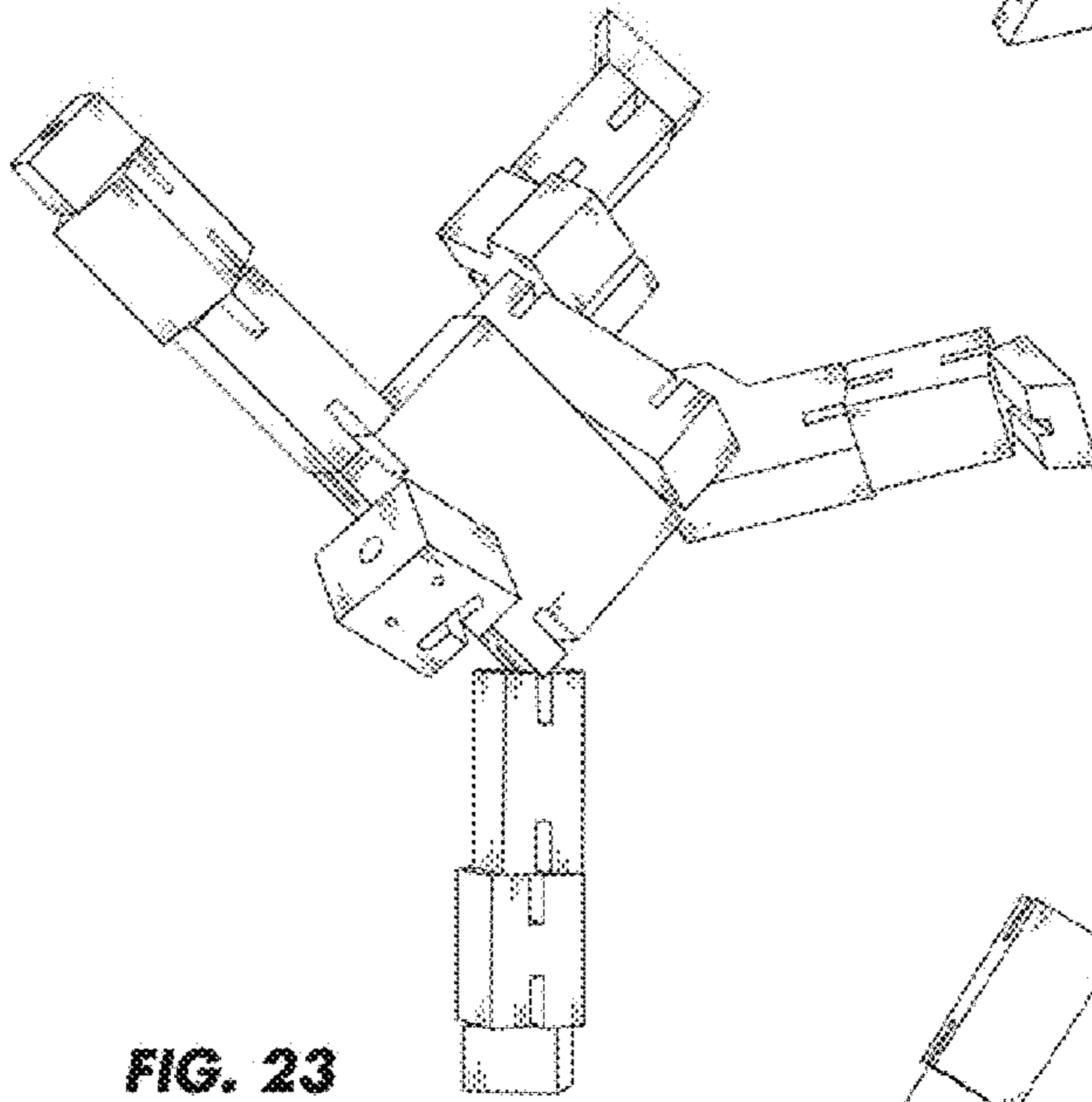


FIG. 23

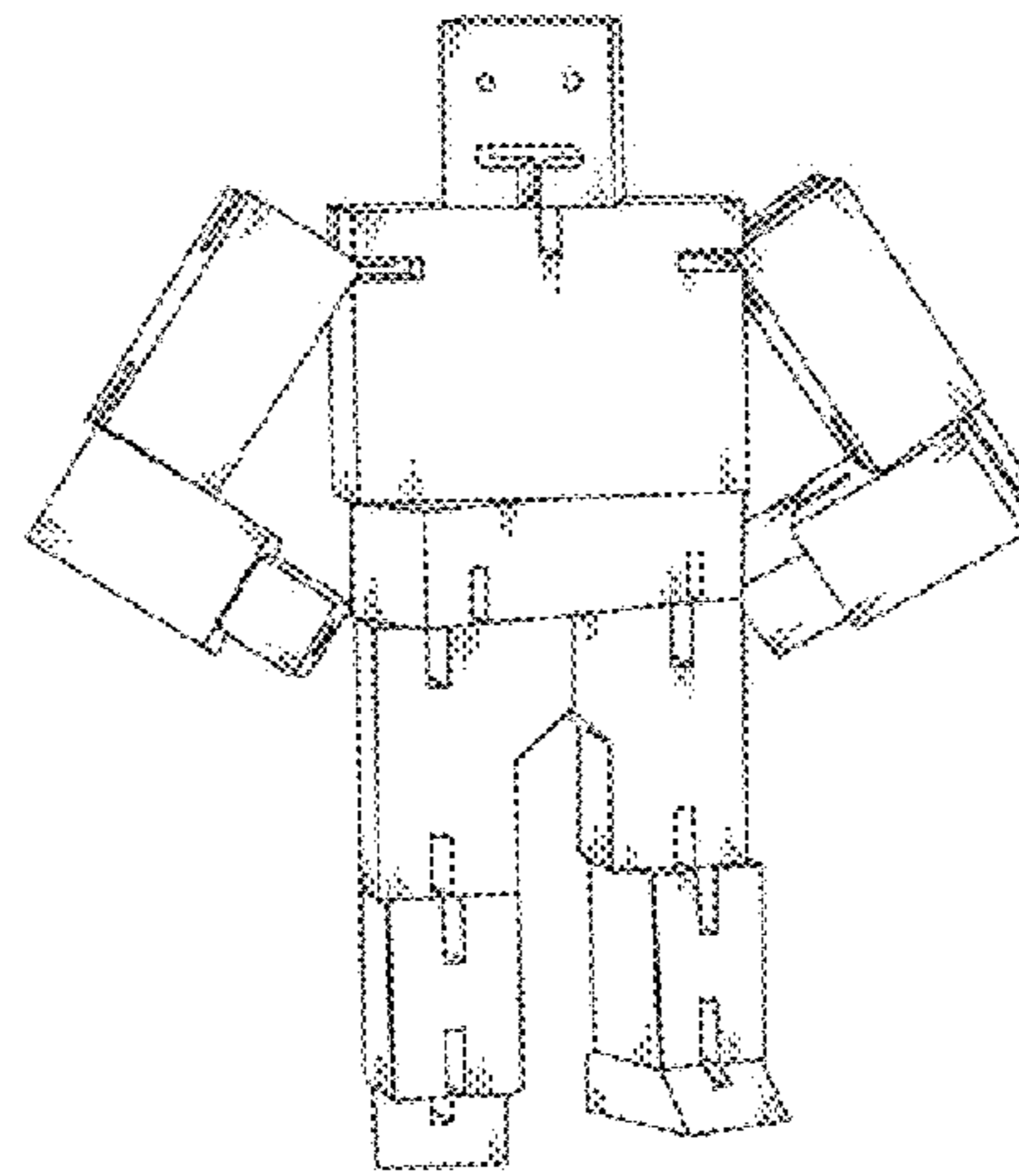


FIG. 24