



US00D639351S

(12) **United States Design Patent**  
**Newmayer et al.**

(10) **Patent No.:** **US D639,351 S**  
(45) **Date of Patent:** **\*\* Jun. 7, 2011**

(54) **MOBILE ROBOT**

(75) Inventors: **Rickey Newmayer**, Cerritos, CA (US);  
**Kevin Cunningham**, Cerritos, CA (US);  
**Kwang-hak Huh**, Changwon (KR);  
**Ji-hyuk Song**, Changwon (KR);  
**Jong-yoon Peck**, Changwon (KR)

(73) Assignee: **Samsung Techwin Co., Ltd.**, Changwon (KR)

(\*\*) Term: **14 Years**

(21) Appl. No.: **29/364,611**

(22) Filed: **Jun. 25, 2010**

(51) **LOC (9) Cl.** ..... **21-01**

(52) **U.S. Cl.** ..... **D21/533; D21/578**

(58) **Field of Classification Search** ..... D21/447,  
D21/451, 533, 548, 557, 560, 561, 562, 578,  
D21/579, 580, 581, 582, 584, 585, 592; D12/1,  
D12/12, 14, 16.1, 319; 446/93, 94, 95, 96,  
446/230, 231, 279, 287, 431, 454, 465, 466,  
446/470

See application file for complete search history.

(56) **References Cited**

U.S. PATENT DOCUMENTS

D262,224	S	*	12/1981	Aoki	.....	D21/551
D320,821	S	*	10/1991	Mochizuki	.....	D21/550
D527,772	S	*	9/2006	Bowen et al.	.....	D21/533
D607,518	S	*	1/2010	Poolman et al.	.....	D21/550
D620,538	S	*	7/2010	Poolman et al.	.....	D21/550
D630,269	S	*	1/2011	Matsuda et al.	.....	D21/533

\* cited by examiner

*Primary Examiner* — Lisa Lichtenstein

(74) *Attorney, Agent, or Firm* — Sughrue Mion, PLLC

(57) **CLAIM**

The ornamental design for a mobile robot, as shown and described.

**DESCRIPTION**

FIG. 1 is a top, front, and right side perspective view of a mobile robot showing our new design;  
FIG. 2 is a left side elevational view of the mobile robot;  
FIG. 3 is a right side elevational view of the mobile robot;  
FIG. 4 is a rear side elevational view of the mobile robot;  
FIG. 5 is a front side elevational view of the mobile robot;  
FIG. 6 is a top plan view of the mobile robot; and,  
FIG. 7 is a bottom plan view of the mobile robot.

**1 Claim, 7 Drawing Sheets**

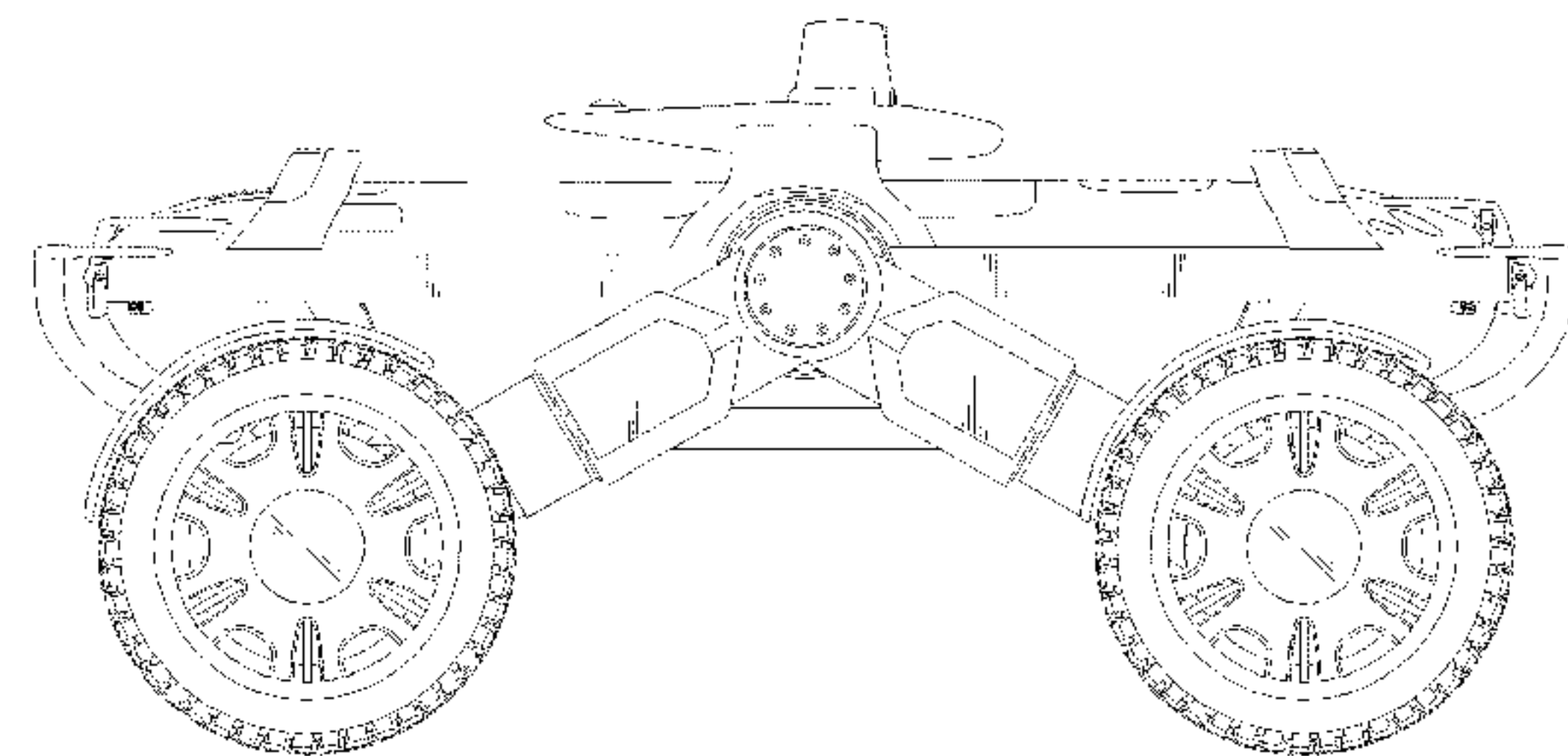
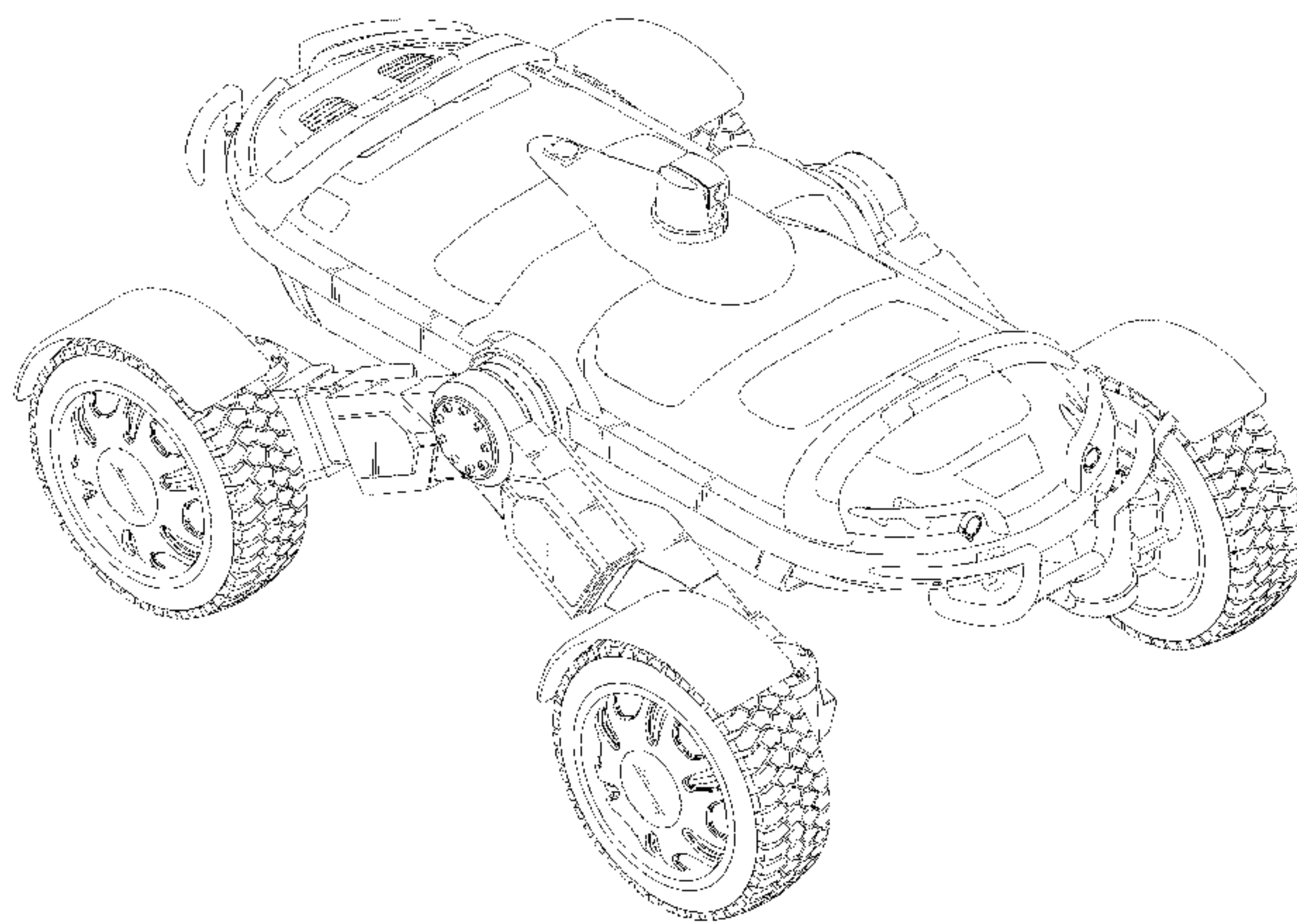


FIG. 1

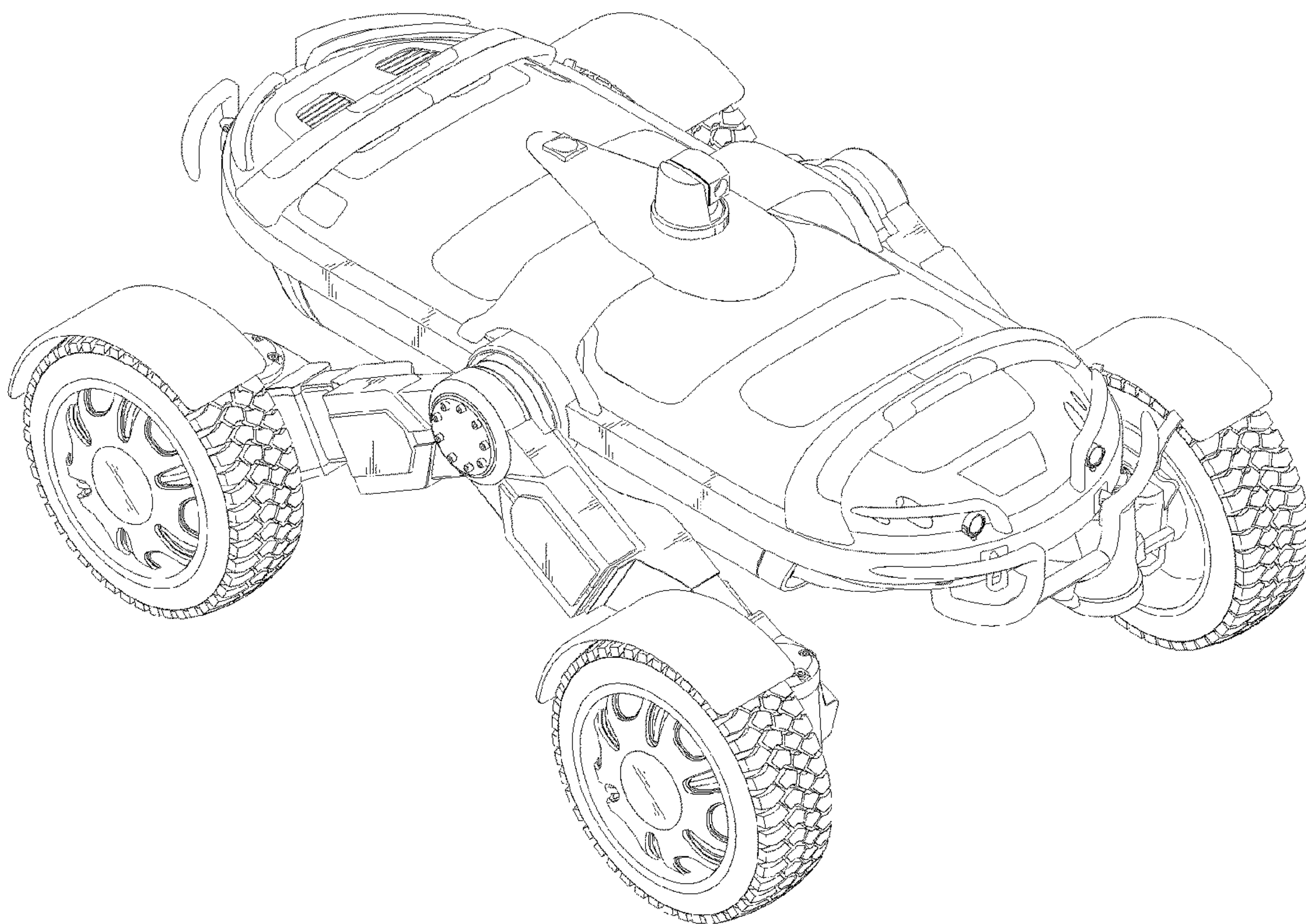


FIG. 2

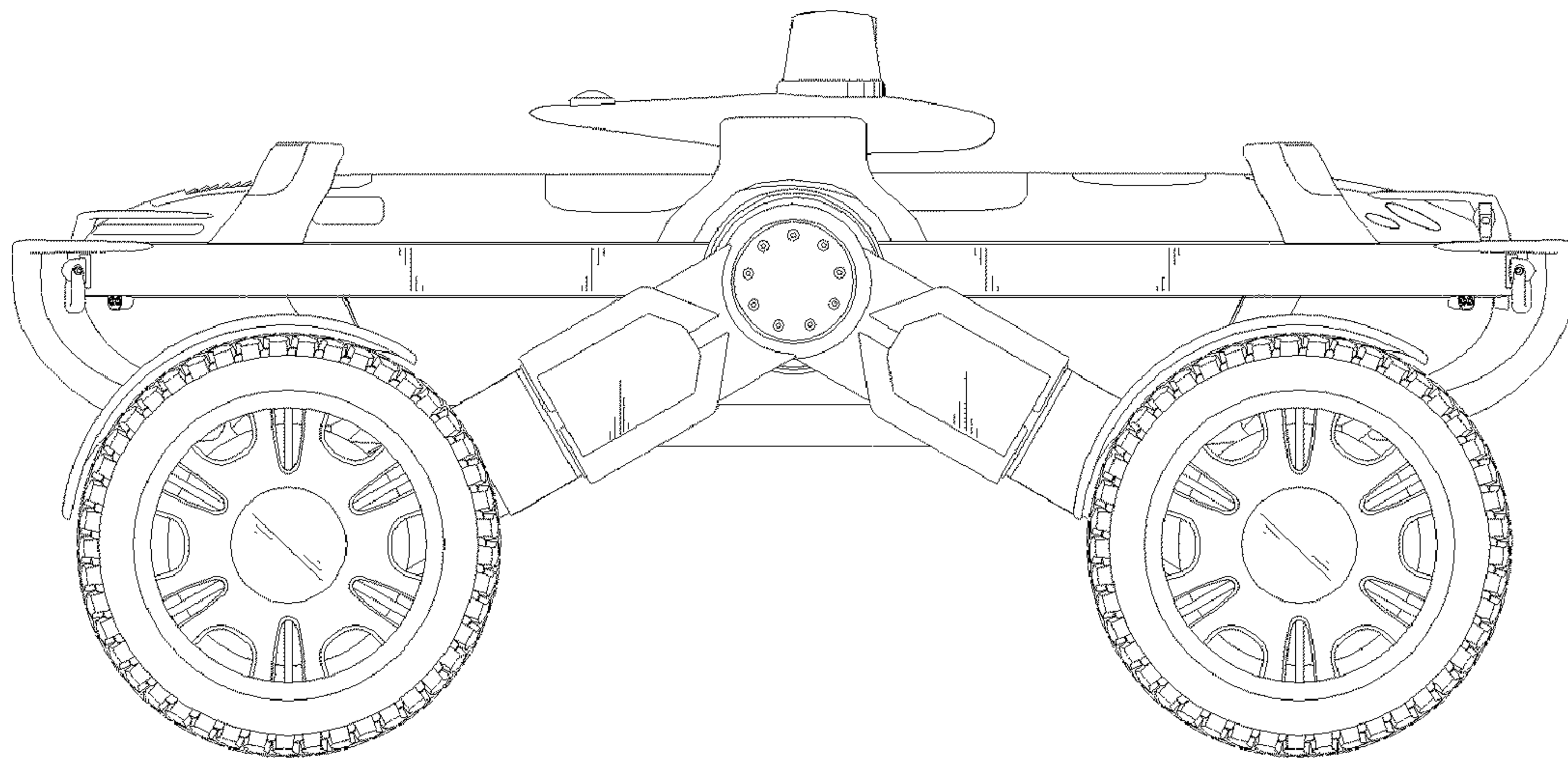




FIG. 3

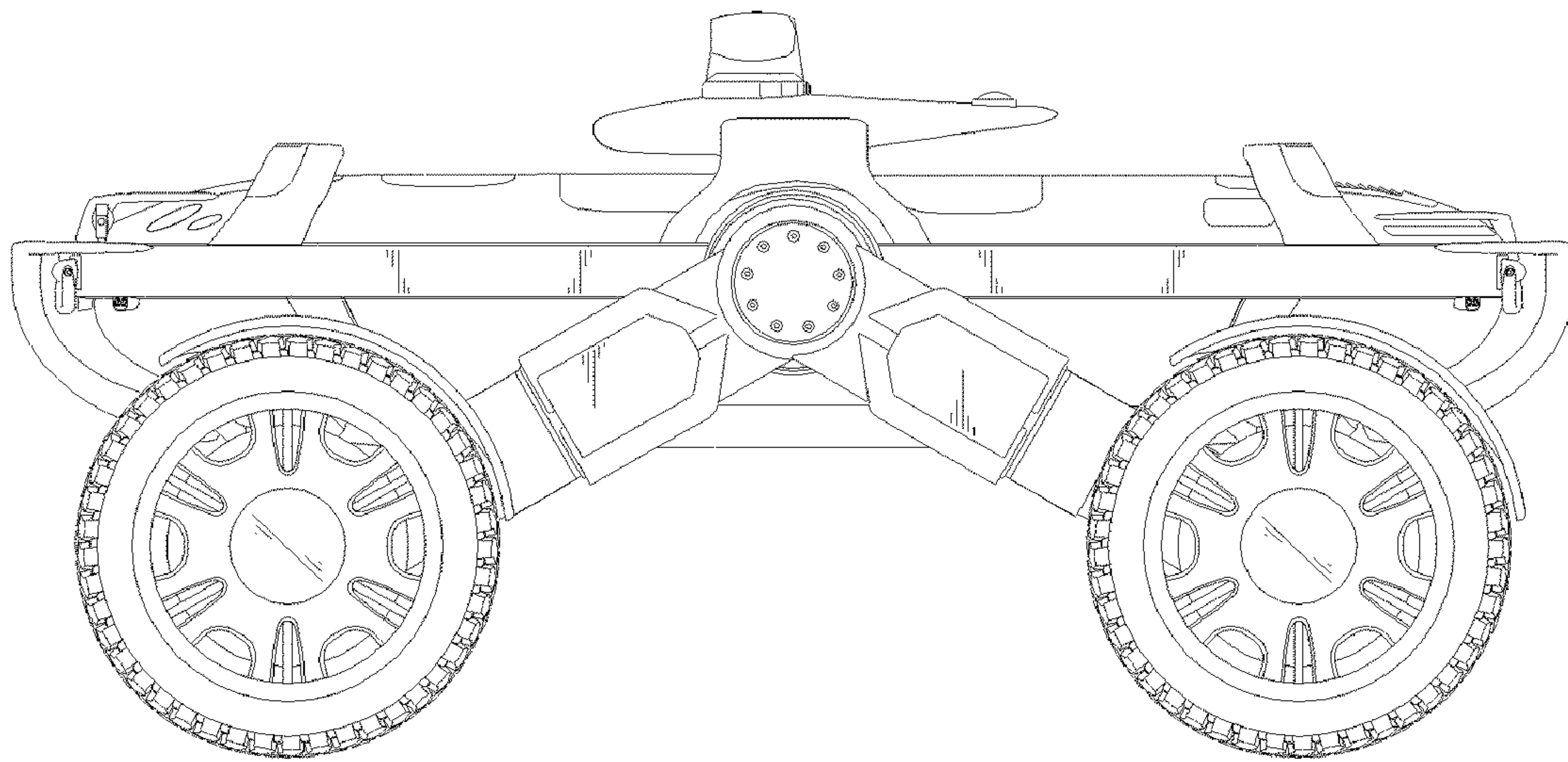


FIG. 4

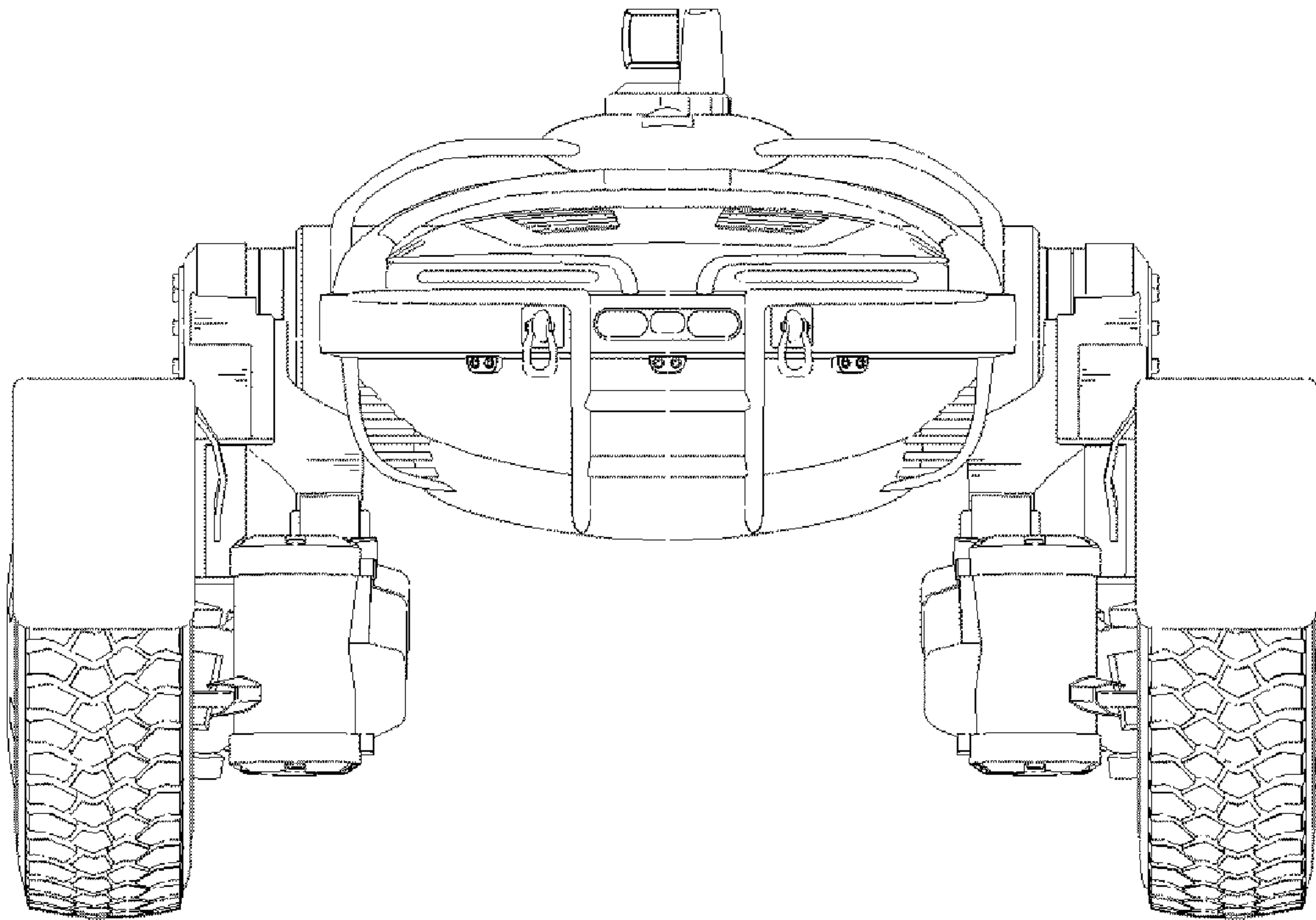


FIG. 5

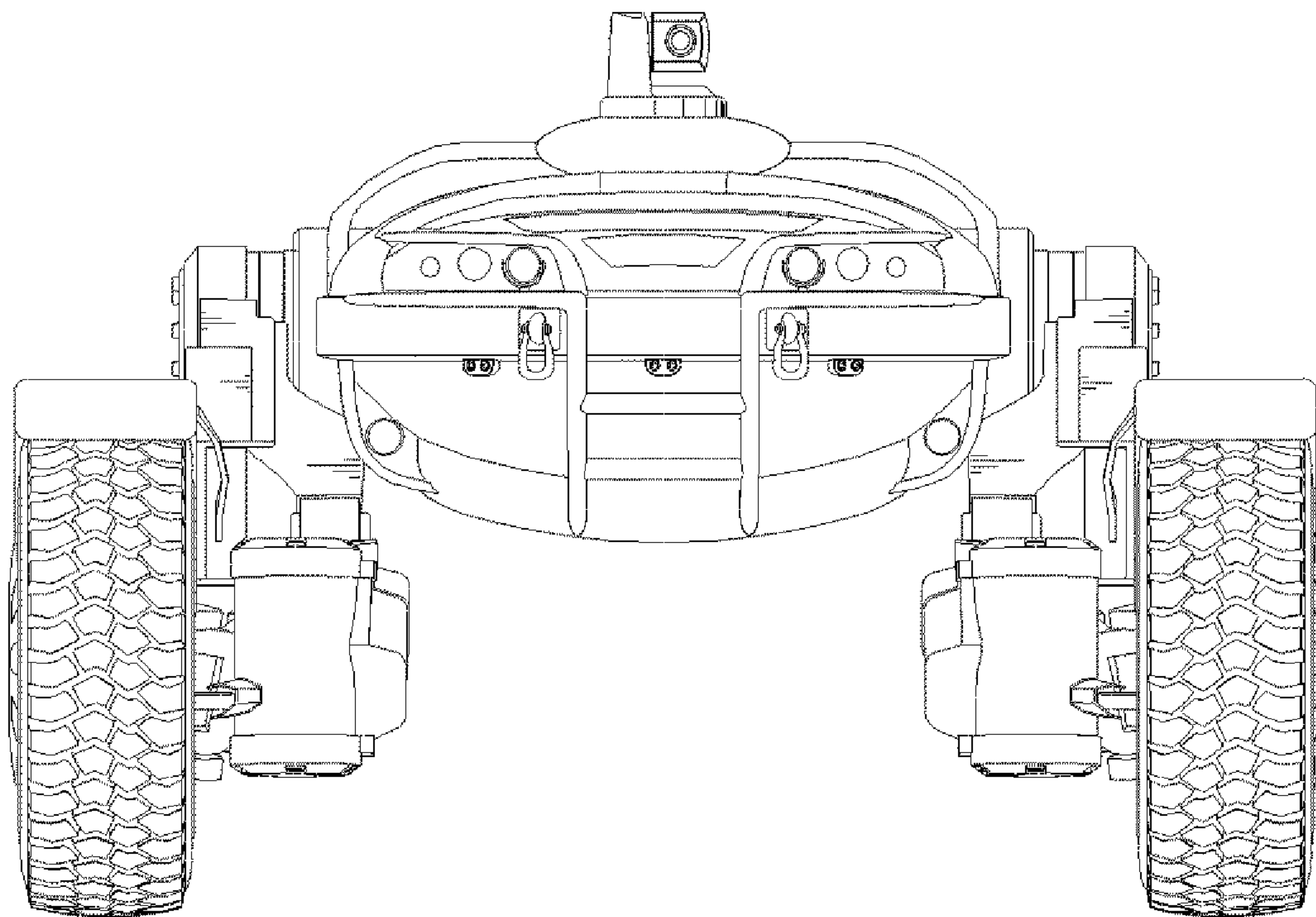


FIG. 6

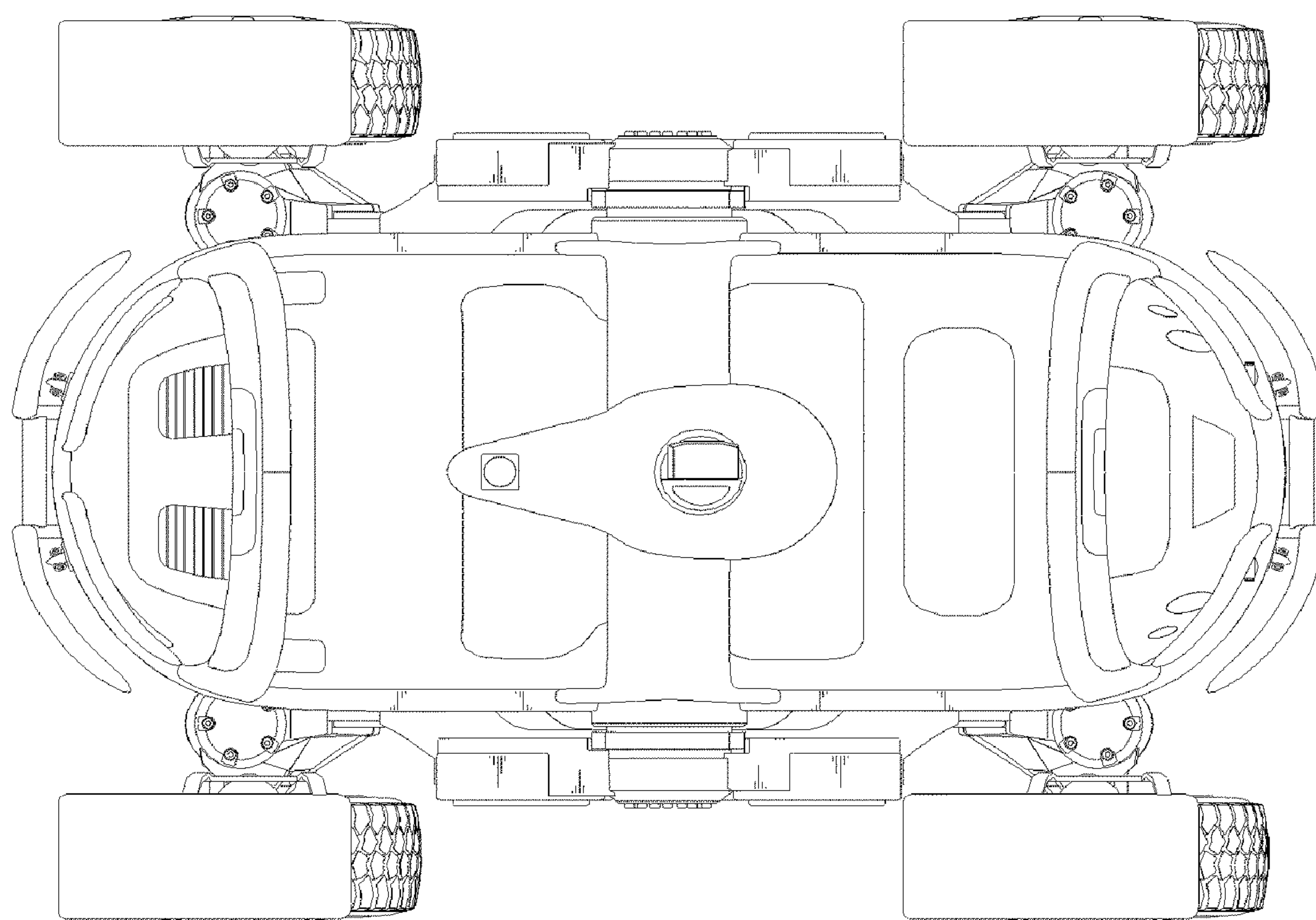


FIG. 7

