



US00D639349S

(12) **United States Design Patent**  
**Horikoshi**

(10) **Patent No.:** **US D639,349 S**  
(45) **Date of Patent:** **\*\* Jun. 7, 2011**

(54) **TOY TOP SPINNER**

(75) Inventor: **Kenji Horikoshi**, Tokyo (JP)

(73) Assignee: **Tomy Company, Ltd.**, Tokyo (JP)

(\*\*) Term: **14 Years**

(21) Appl. No.: **29/376,310**

(22) Filed: **Oct. 5, 2010**

(30) **Foreign Application Priority Data**

Apr. 5, 2010 (JP) ..... 2010-008552

(51) **LOC (9) Cl.** ..... **21-01**

(52) **U.S. Cl.** ..... **D21/461**

(58) **Field of Classification Search** ..... D21/301,  
D21/385, 398, 436-465, 561, 563, 566; 446/15,  
446/34-68, 71, 77, 78, 217, 218, 219, 235-267,  
446/421, 429, 430, 435, 450-453, 486, 487,  
446/489-491

See application file for complete search history.

(56) **References Cited**

**U.S. PATENT DOCUMENTS**

214,154 A	4/1879	Johnson	
615,930 A	12/1898	Warren	
1,207,200 A	12/1916	Novak	
1,208,431 A	12/1916	Wilcox	
1,366,535 A	1/1921	Harrington	
1,668,695 A	5/1928	Pfaff	
1,771,489 A	7/1930	Dochnal	
D161,581 S *	1/1951	Greene	..... D21/461
2,561,601 A	7/1951	Szonnell	
D199,536 S	11/1964	Salayka	
3,352,055 A	11/1967	Pelkowski	
3,701,216 A	10/1972	Smith, III et al.	
D289,907 S	5/1987	Redding	
D353,633 S	12/1994	Nonaka et al.	
D364,898 S	12/1995	Davidson	
5,518,437 A	5/1996	Nonaka et al.	

5,525,086 A	6/1996	Gentile et al.
5,593,338 A	1/1997	Itoh et al.
6,739,939 B2	5/2004	Matsukawa
6,743,070 B1	6/2004	Lin
6,905,389 B2	6/2005	Matsukawa
7,063,589 B2	6/2006	Matsukawa et al.
D554,201 S	10/2007	Vetuskey et al.
7,427,225 B2	9/2008	Matsukawa et al.

(Continued)

**FOREIGN PATENT DOCUMENTS**

CN 2604212 Y 2/2004

(Continued)

**OTHER PUBLICATIONS**

U.S. Copyright Registration No. VA1-151-592 dated Nov. 15, 2002 with deposit copy.

(Continued)

*Primary Examiner* — Catherine Tuttle

(74) *Attorney, Agent, or Firm* — Staas & Halsey LLP

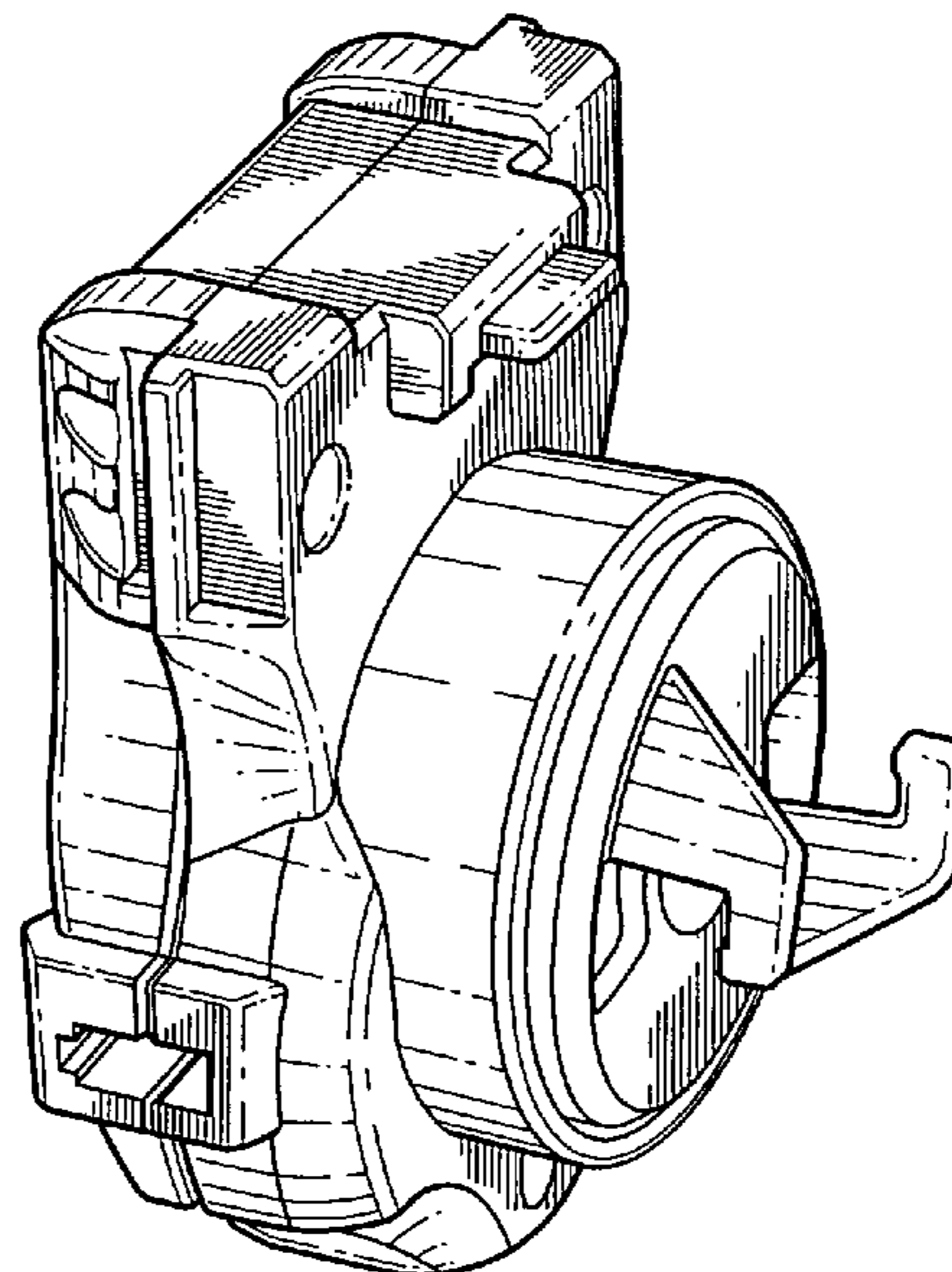
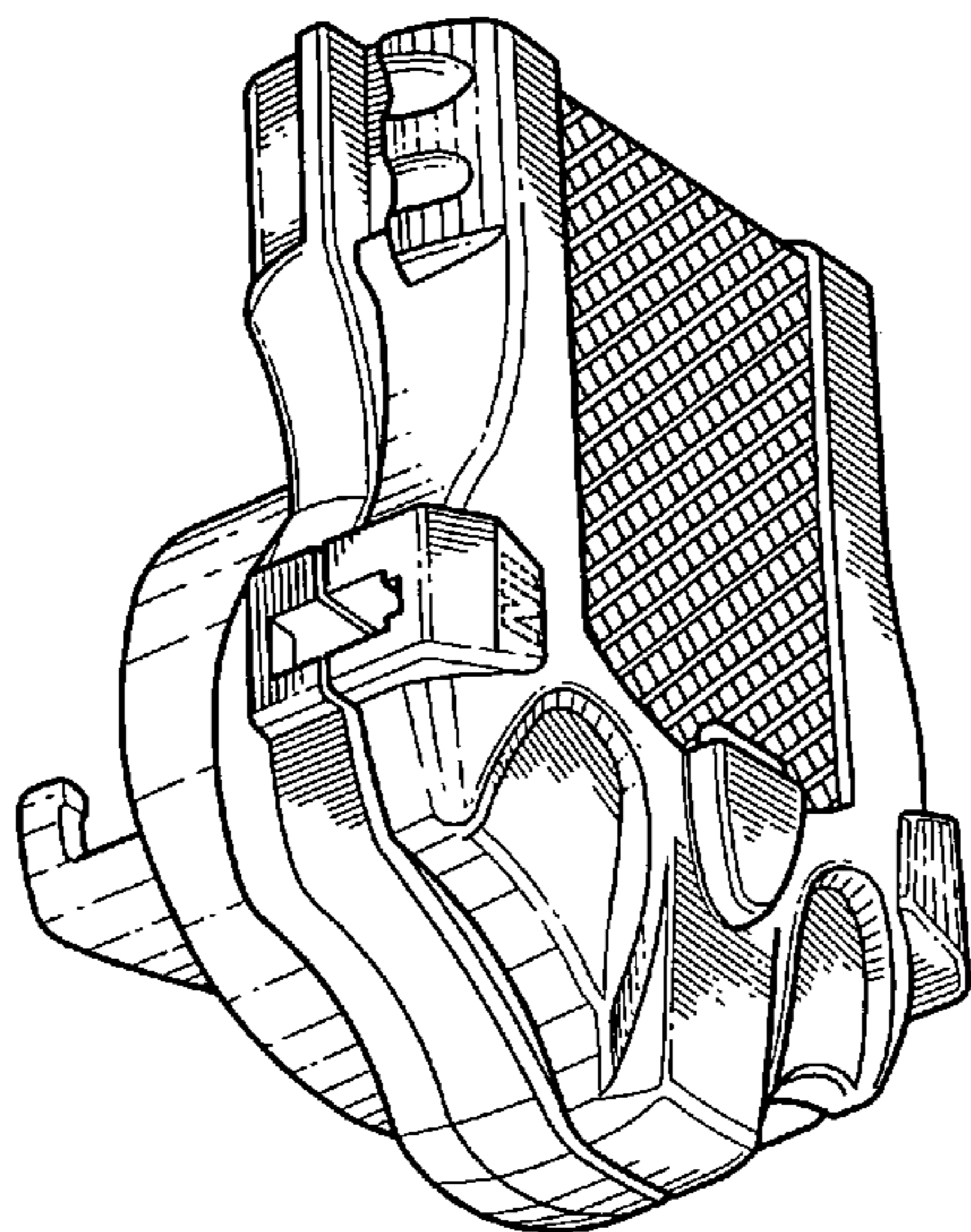
(57) **CLAIM**

The ornamental design for a toy top spinner, as shown and described.

**DESCRIPTION**

FIG. 1 is a top view of the toy top spinner showing my design; FIG. 2 is a bottom view thereof; FIG. 3 is a right side view thereof; FIG. 4 is a left side view thereof; FIG. 5 is a rear view thereof; FIG. 6 is a front view thereof; FIG. 7 is a top perspective view thereof; and, FIG. 8 is a bottom perspective view thereof. The broken lines shown in FIGS. 1 and 7 are for the purpose of illustrating a word that forms no part of the claimed design.

**1 Claim, 4 Drawing Sheets**



U.S. PATENT DOCUMENTS

7,481,691 B2 1/2009 Sze et al.  
 D610,210 S 2/2010 Nishimoto  
 D610,211 S 2/2010 Nishimoto  
 D616,043 S 5/2010 Ujita  
 2003/0064660 A1 4/2003 Matsukawa  
 2004/0198152 A1 10/2004 Matsukawa  
 2006/0099879 A1 5/2006 McGrath

FOREIGN PATENT DOCUMENTS

CN 3446375 \* 5/2005  
 CN 2707340 Y 7/2005  
 CN 3575984 11/2006  
 CN 300839704 \* 10/2008  
 CN 300846725 \* 11/2008  
 CN 300897376 \* 3/2009  
 CN 301113361 \* 1/2010  
 DE 20207253 U1 10/2002  
 EM 000979612-0008 \* 9/2008  
 FR 766329 4/1934  
 JP 3067318 1/2000  
 JP 3071356 6/2000  
 JP 3077132 2/2001  
 JP 2003-103062 4/2003  
 JP 2003-320174 11/2003  
 JP D1194145 1/2004  
 JP 2005-328976 12/2005

OTHER PUBLICATIONS

U.S. Copyright Registration No. VA1-151-594 dated Nov. 15, 2002 with deposit copy.  
 U.S. Copyright Registration No. VA1-172-932 dated Oct. 22, 2002 with deposit copy.  
 U.S. Copyright Registration No. VA1-172-933 dated Oct. 22, 2002 with deposit copy.  
 U.S. Copyright Registration No. VA1-172-936 dated Oct. 22, 2002 with deposit copy.  
 Apr.15, 2009 Office Action in U.S. Appl. No. 29/309,767 (Now USP D610,211).  
 Notice of Allowance issued Oct. 2, 2009 in U.S. Appl. No. 29/309,767 (Now USP D610,211).  
 Apr.16, 2009 Office Action in U.S. Appl. No. 29/309,765 (Now USP D610,210).  
 Notice of Allowance issued Oct. 2, 2009 in U.S. Appl. No. 29/309,765 (Now USP D610,210).  
 European Search Report dated Jul. 31, 2009 in Application No. 08253249.0.  
 U.S. Appl. No. 12/285,880, filed Oct. 15, 2008, Ujita et al., Tomy Co., Ltd.  
 U.S. Appl. No. 12/895,283, filed Sep. 30, 2010, Horikoshi et al., Tomy Co., Ltd.

\* cited by examiner

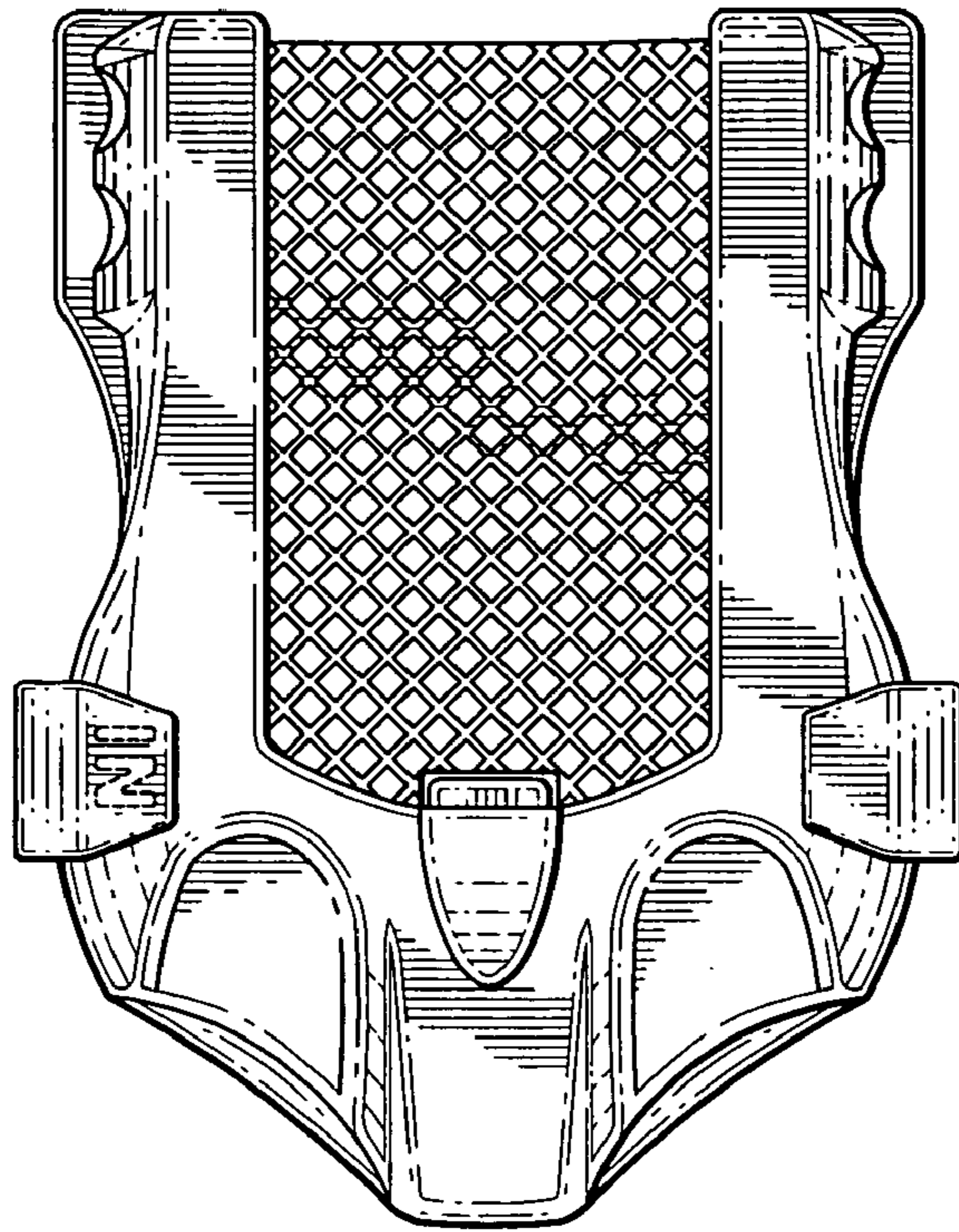


FIG. 1

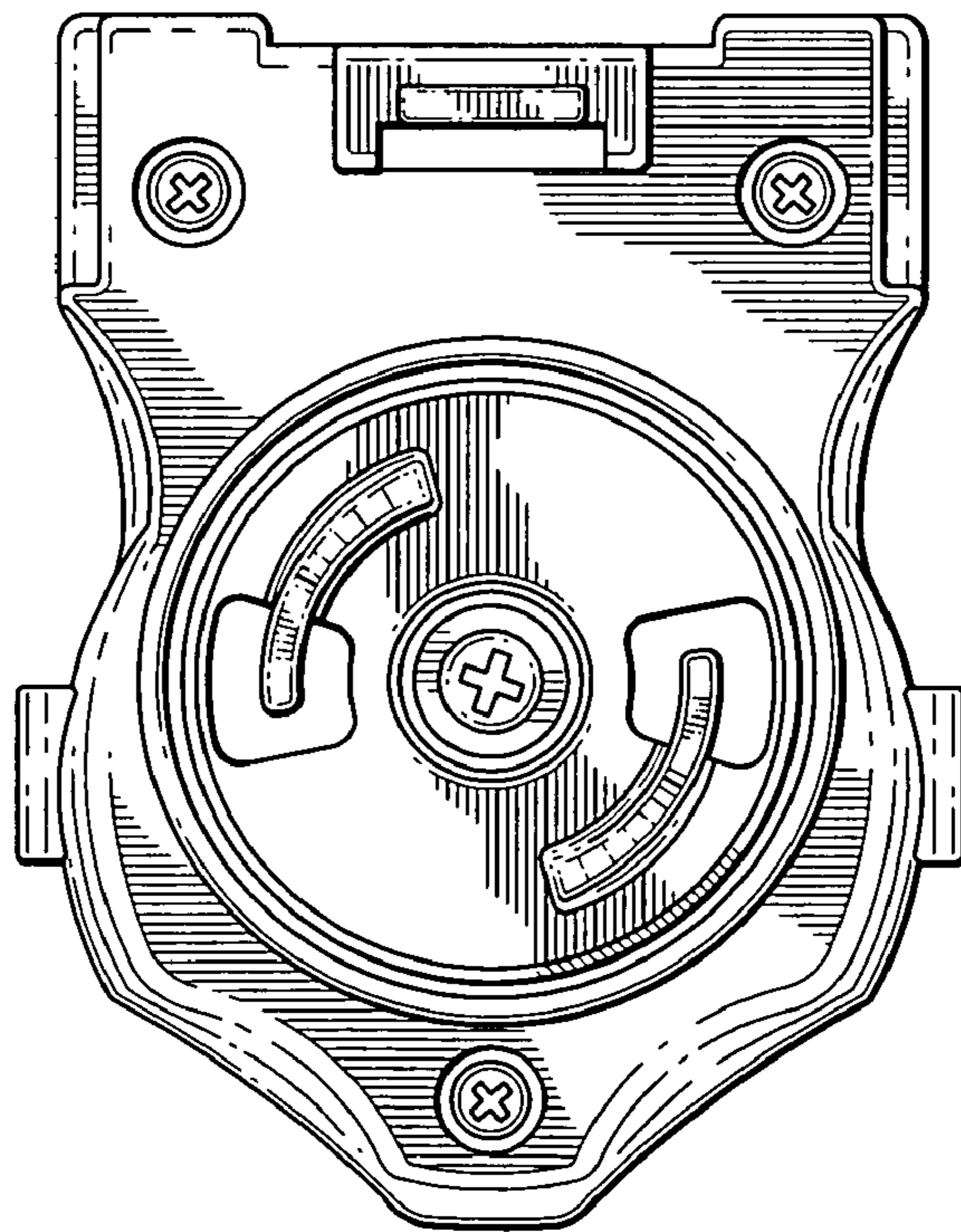


FIG. 2

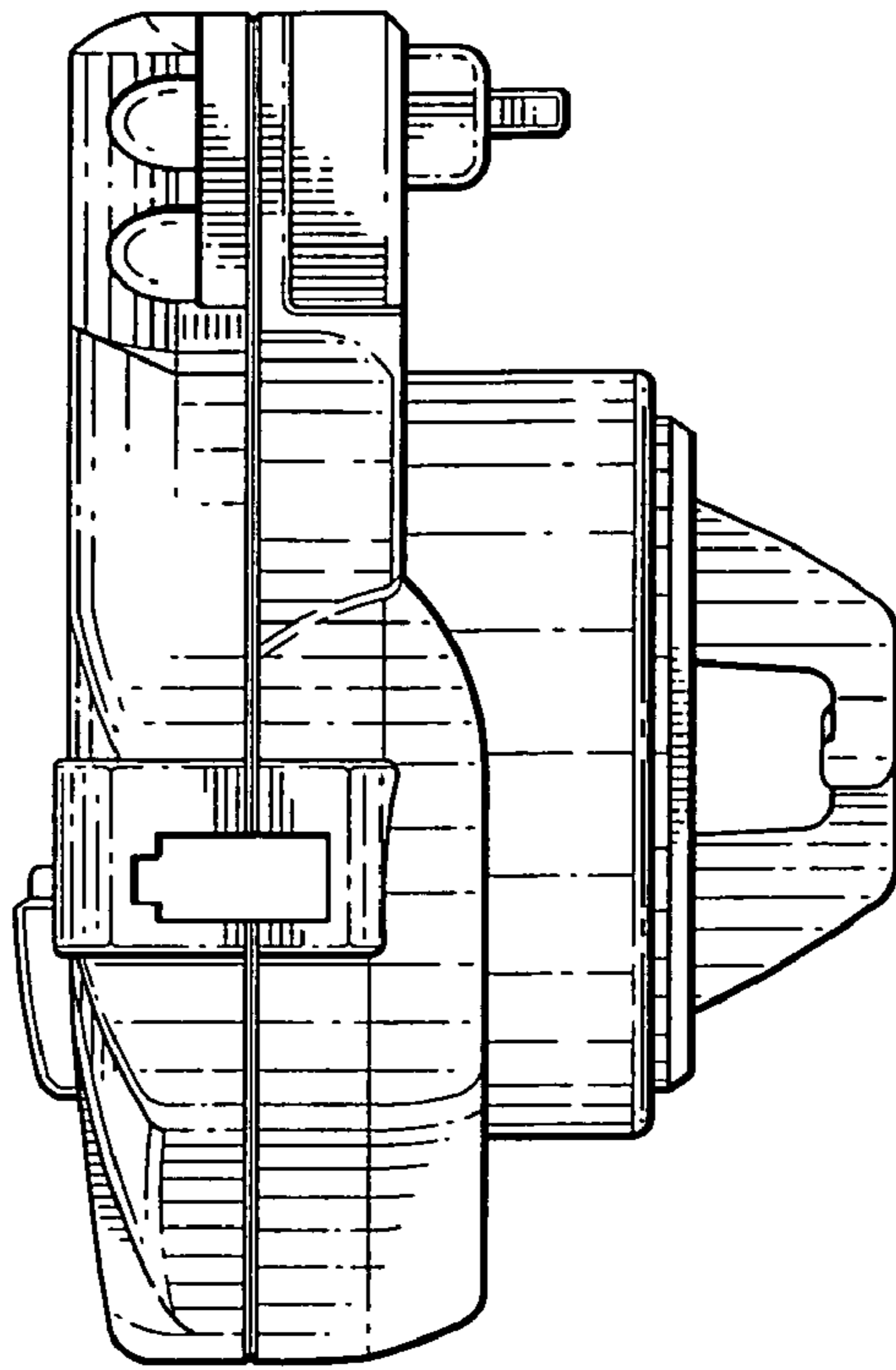


FIG. 3

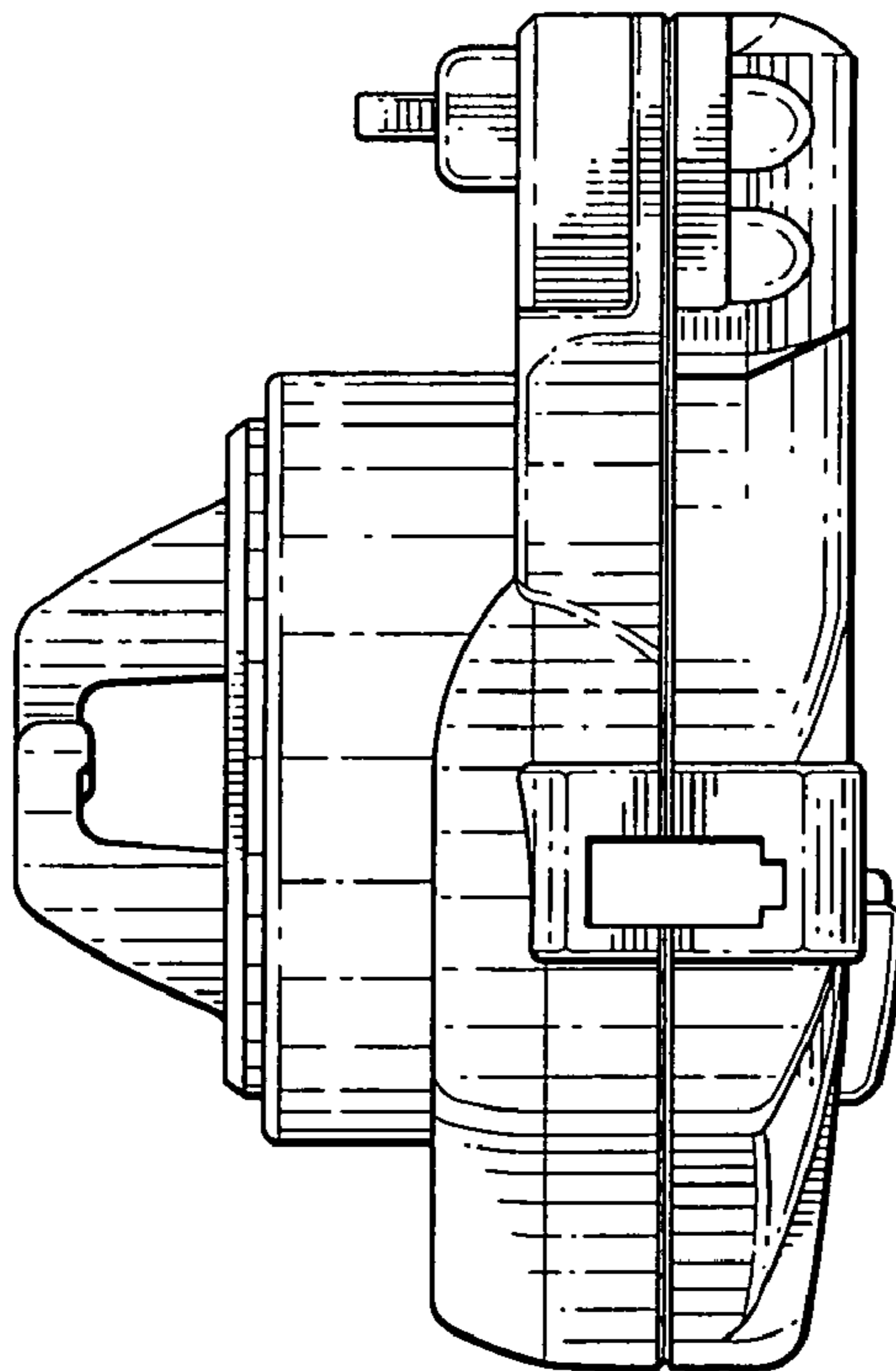


FIG. 4

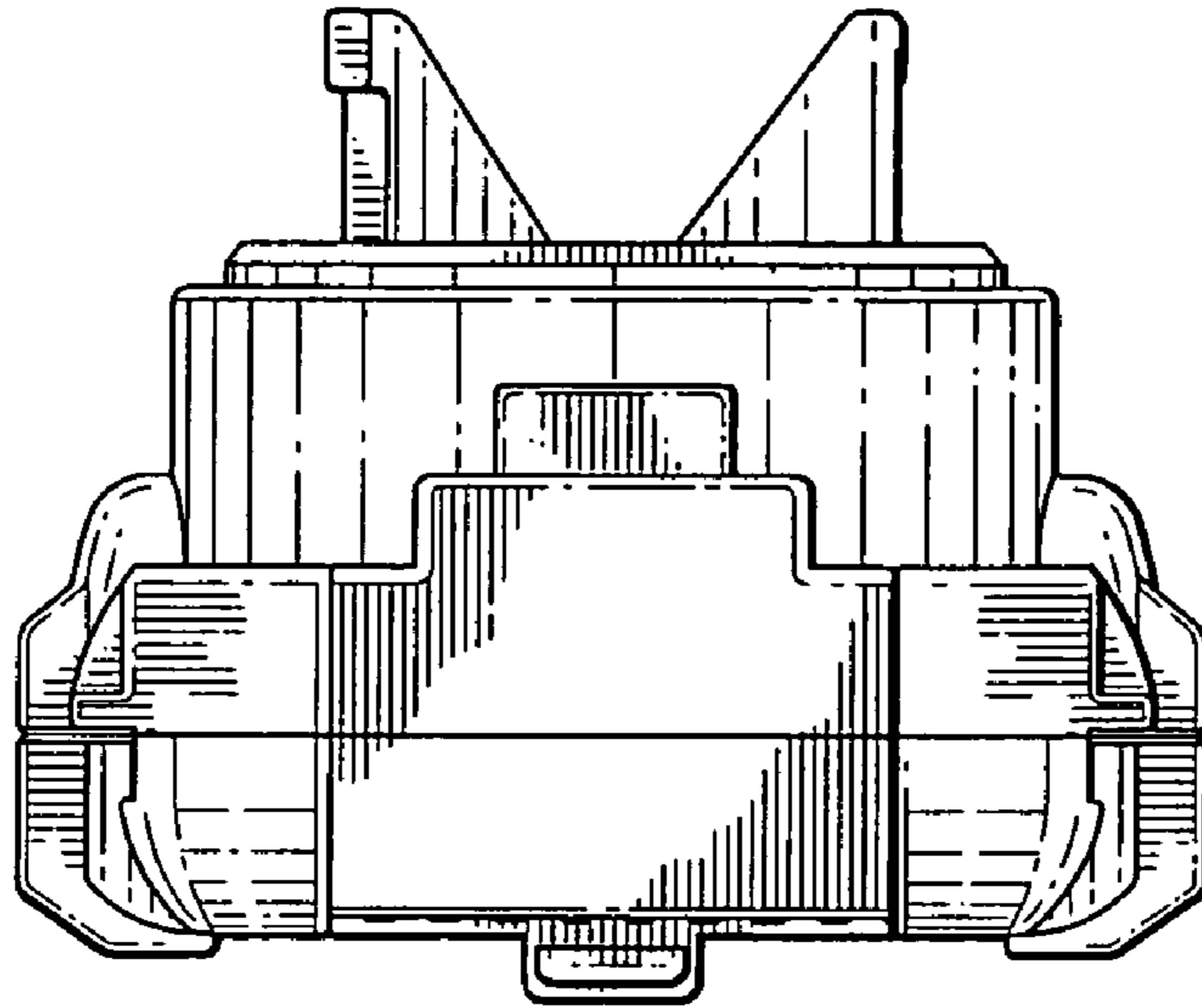


FIG. 5

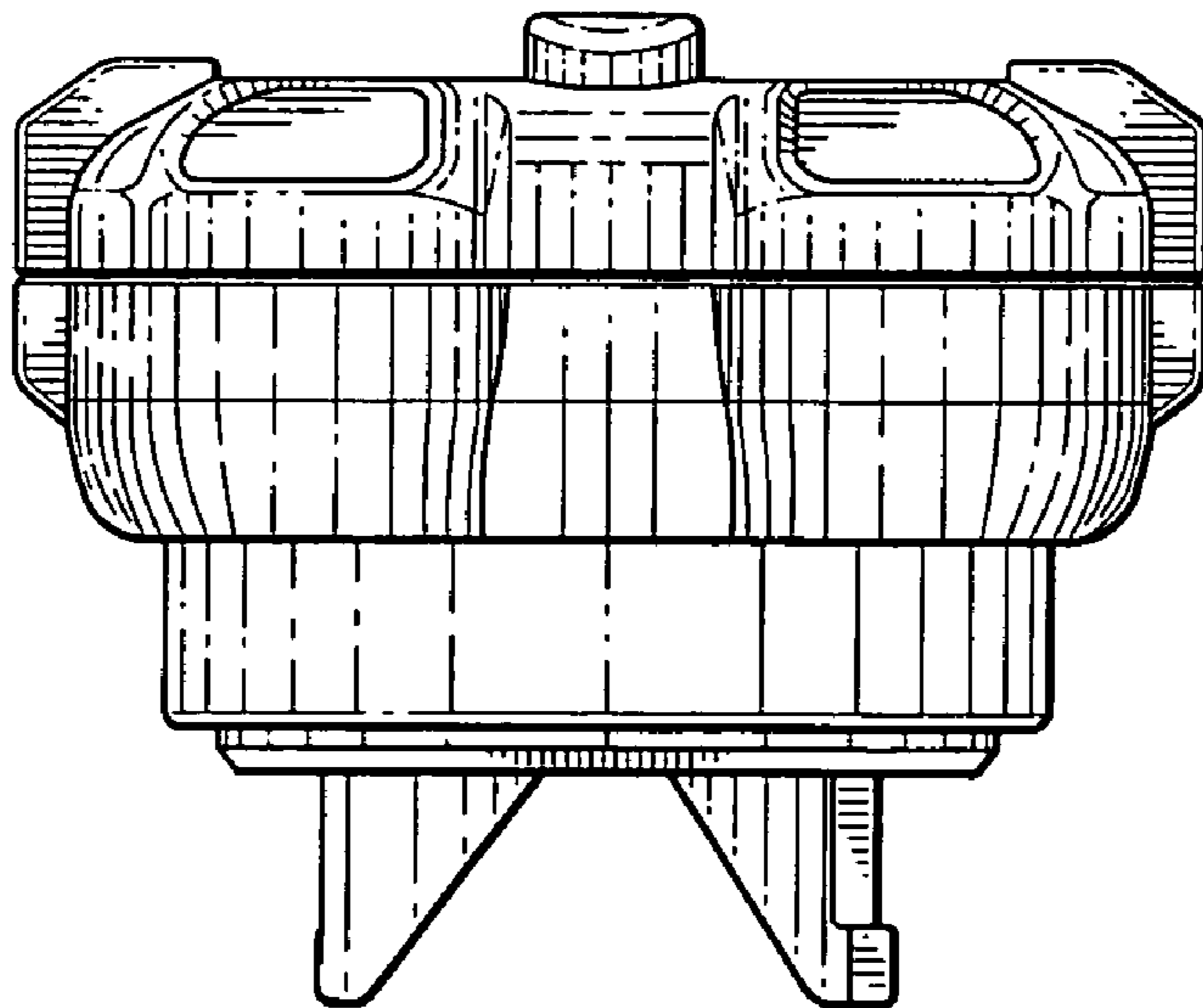


FIG. 6

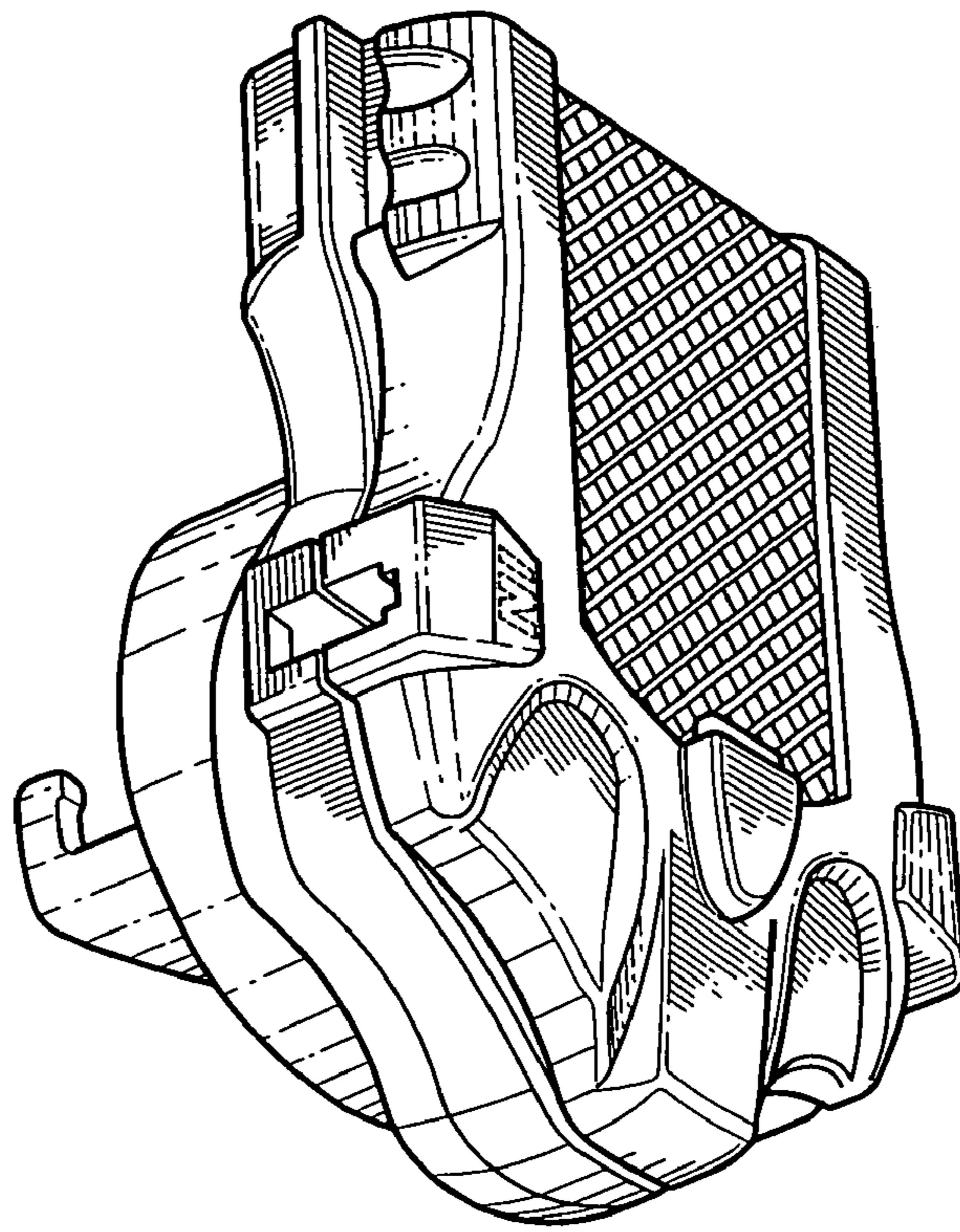


FIG. 7

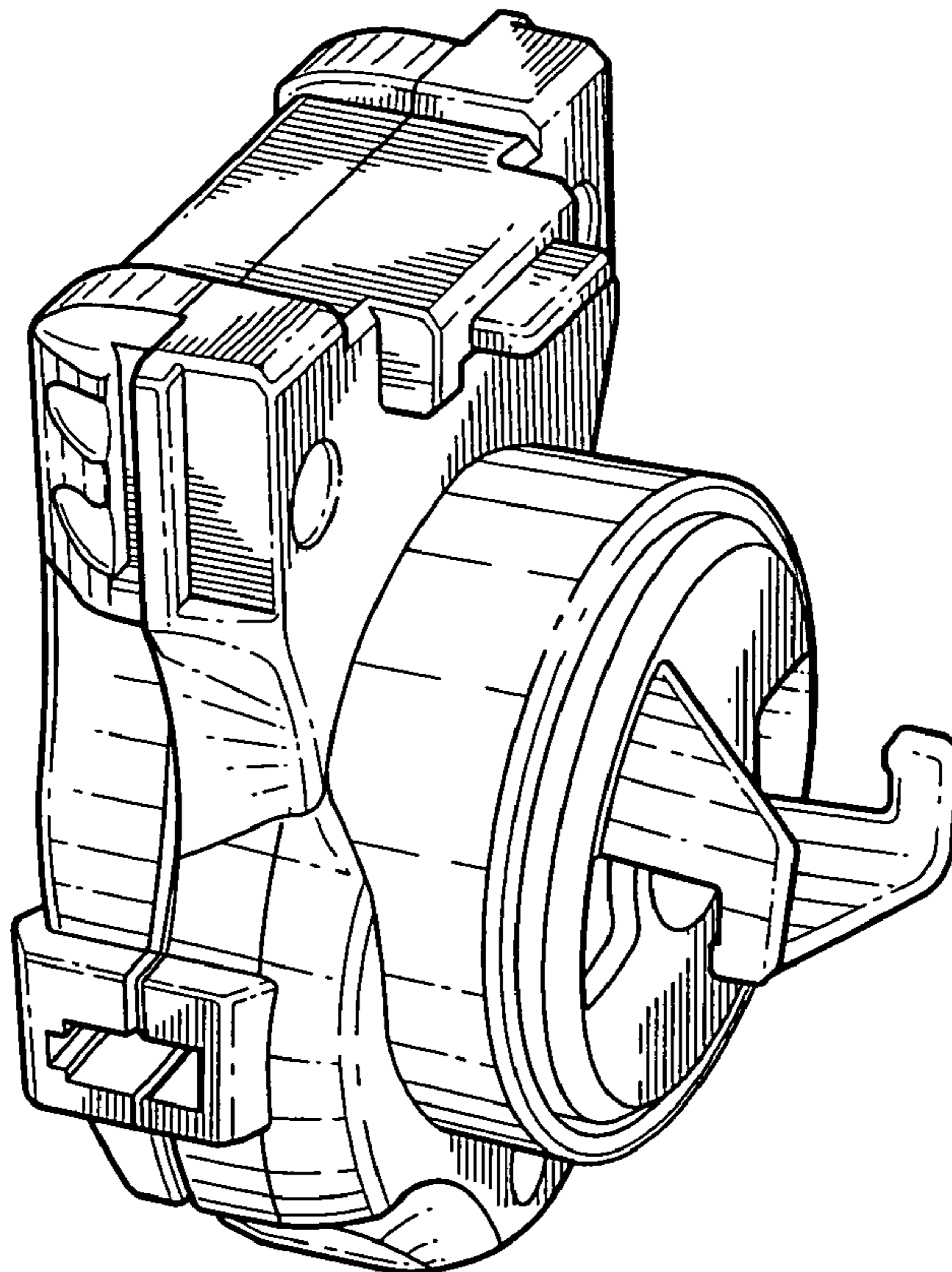


FIG. 8