



US00D639348S

(12) **United States Design Patent**  
**Ujita**

(10) **Patent No.:** **US D639,348 S**

(45) **Date of Patent:** **\*\* Jun. 7, 2011**

(54) **TOY TOP**

(75) **Inventor:** **Haruhisa Ujita, Tokyo (JP)**

(73) **Assignee:** **Tomy Company, Ltd., Tokyo (JP)**

(\*\*) **Term:** **14 Years**

(21) **Appl. No.:** **29/347,730**

(22) **Filed:** **Apr. 26, 2010**

(30) **Foreign Application Priority Data**

Nov. 26, 2009 (JP) ..... 2009-27536

(51) **LOC (9) Cl.** ..... **21-01**

(52) **U.S. Cl.** ..... **D21/460**

(58) **Field of Classification Search** ..... D21/301,  
D21/385, 390, 398, 436-465, 561, 578, 585;  
446/34-68, 71, 77, 78, 217, 218, 219, 235-267,  
446/421, 429, 430, 435, 450-453, 486, 487,  
446/489-491

See application file for complete search history.

(56) **References Cited**

**U.S. PATENT DOCUMENTS**

461,948 A	10/1891	Wilson
1,552,530 A	8/1921	Woods
D155,015 S	8/1949	Krapp
2,789,392 A	4/1957	Palmieri
3,220,142 A	11/1965	Butterfield
3,613,295 A	10/1971	Everett
4,157,632 A	6/1979	Everett
D262,610 S	1/1982	Westlake et al.
D353,632 S	12/1994	Nonaka et al.
D356,347 S	3/1995	Nonaka et al.
5,518,437 A	5/1996	Nonaka et al.
5,593,338 A	1/1997	Itoh et al.
6,604,979 B1	8/2003	Liu
6,626,729 B2	9/2003	Osawa
6,739,939 B2	5/2004	Matsukawa
6,743,070 B1	6/2004	Lin
6,746,300 B1	6/2004	Matsukawa

6,905,389 B2	6/2005	Matsukawa
7,063,589 B2	6/2006	Matsukawa et al.
7,427,225 B2	9/2008	Matsukawa et al.
D584,366 S	1/2009	Bowen et al.
D608,842 S	1/2010	Nishimoto
D610,209 S	2/2010	Nishimoto
D614,245 S	4/2010	Ujita
D615,134 S	5/2010	Nishimoto

(Continued)

**FOREIGN PATENT DOCUMENTS**

CN 2604212 Y 2/2004

(Continued)

**OTHER PUBLICATIONS**

Abstract of Japanese Publication No. 3156926, published Feb. 27, 2001.

(Continued)

*Primary Examiner* — Catherine Tuttle

(74) *Attorney, Agent, or Firm* — Staas & Halsey LLP

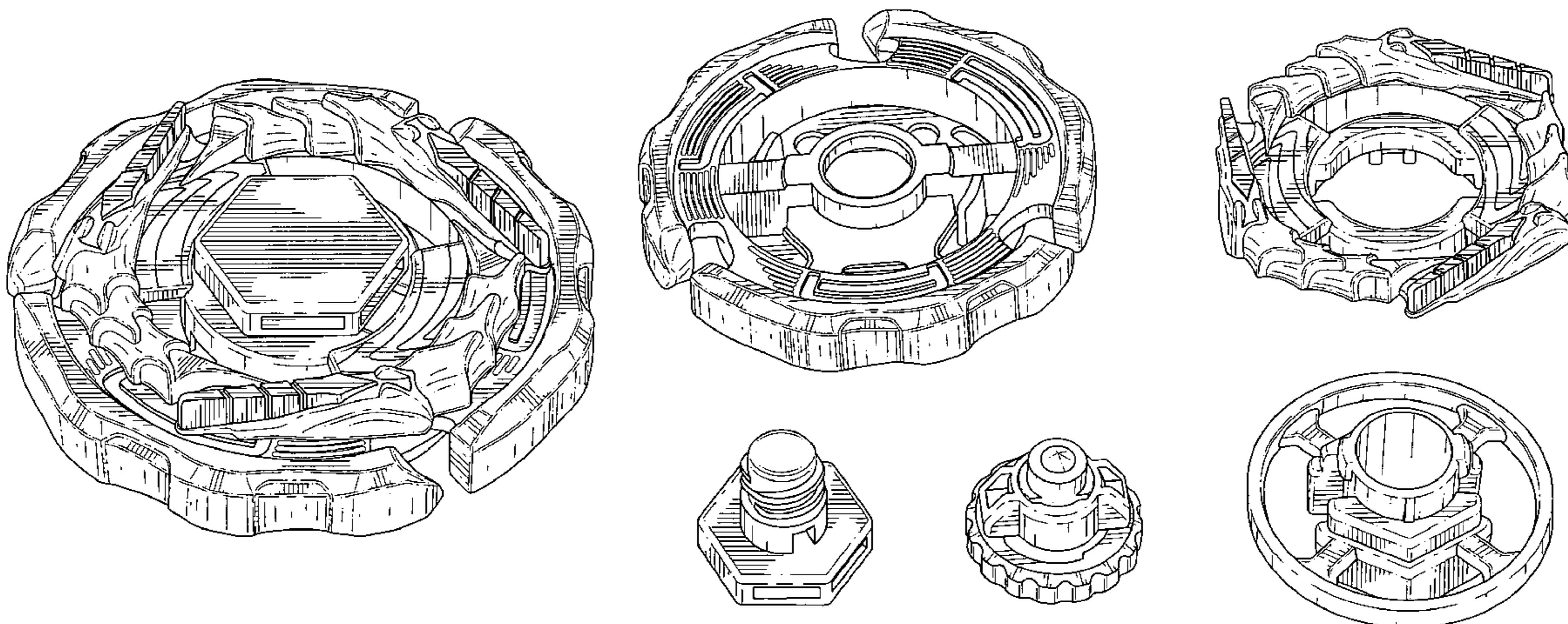
(57) **CLAIM**

The ornamental design for a toy top, as shown.

**DESCRIPTION**

FIG. 1 is a front perspective view of the toy top showing my design;  
 FIG. 2 is a rear perspective view thereof;  
 FIG. 3 is a right side perspective view thereof;  
 FIG. 4 is a left side perspective view thereof;  
 FIG. 5 is a rear underside perspective view thereof;  
 FIG. 6 is a top plan view thereof;  
 FIG. 7 is a bottom plan view thereof;  
 FIG. 8 is a front orthographic elevation view thereof;  
 FIG. 9 is a rear orthographic elevation view thereof;  
 FIG. 10 is a right side elevation view thereof;  
 FIG. 11 is a left side elevation view thereof; and,  
 FIG. 12 is a disassembled perspective view thereof.

**1 Claim, 8 Drawing Sheets**



U.S. PATENT DOCUMENTS

D615,602 S 5/2010 Nishimoto  
 D629,469 S \* 12/2010 Nishimoto ..... D21/460  
 D629,847 S \* 12/2010 Ujita ..... D21/460  
 D629,848 S \* 12/2010 Ujita ..... D21/460  
 2002/0102907 A1 8/2002 Osawa  
 2003/0064660 A1 4/2003 Matsukawa  
 2004/0198152 A1 10/2004 Matsukawa  
 2006/0258259 A1 11/2006 Lin

FOREIGN PATENT DOCUMENTS

CN 3584728 \* 11/2006  
 CN 200925561 Y 7/2007  
 CN 200977395 Y 11/2007  
 CN 200977396 Y 11/2007  
 CN 200977397 Y 11/2007  
 CN 200977398 Y 11/2007  
 CN 20098446 Y 12/2007  
 CN 300831003 \* 9/2008  
 CN 300839702 \* 10/2008  
 CN 300846669 \* 11/2008  
 CN 300894181 \* 3/2009  
 CN 300925083 \* 5/2009  
 CN 300925097 \* 5/2009  
 DE 2002 07 253 U1 10/2002  
 EP 077438 A2 4/1983  
 JP 3067318 3/2000  
 JP 3071356 8/2000  
 JP 3156926 2/2001  
 JP 3079301 5/2001  
 JP 2003-320174 A 11/2003  
 JP 2005-328976 12/2005

OTHER PUBLICATIONS

Abstract of Japanese Publication No. 2005-328976, published Dec. 2, 2005.  
 European Search Report in Application No. 08253264.9 dated Jun. 25, 2009.  
 Patent Abstracts of China, Publication No. 201214014, Published Apr. 1, 2009.  
 U.S. Copyright Registration No. VA1-151-590 dated Nov. 15, 2002.  
 U.S. Copyright Registration No. VA1-151-591 dated Nov. 15, 2002.  
 U.S. Copyright Registration No. VA1-151-592 dated Nov. 15, 2002.  
 U.S. Copyright Registration No. VA1-151-593 dated Nov. 15, 2002.  
 U.S. Copyright Registration No. VA1-151-594 dated Nov. 15, 2002.  
 U.S. Copyright Registration No. VA1-172-925 dated Oct. 22, 2002.  
 U.S. Copyright Registration No. VA1-172-926 dated Oct. 22, 2002.  
 U.S. Copyright Registration No. VA1-172-927 dated Oct. 22, 2002.  
 U.S. Copyright Registration No. VA1-172-931 dated Oct. 22, 2002.  
 U.S. Copyright Registration No. VA1-172-932 dated Oct. 22, 2002.  
 U.S. Copyright Registration No. VA1-172-933 dated Oct. 22, 2002.  
 U.S. Copyright Registration No. VA1-172-935 dated Oct. 22, 2002.  
 Apr. 2, 2009 Office Action in co-pending U.S. Appl. No. 29/309,758.  
 Apr. 7, 2009 Notice of Allowance in co-pending U.S. Appl. No. 29/309,762.

Apr. 7, 2009 Notice of Allowance in co-pending U.S. Appl. No. 29/309,764.  
 Apr. 15, 2009 Office Action in co-pending U.S. Appl. No. 29/309,759.  
 Apr. 15, 2009 Office Action in co-pending U.S. Appl. No. 29/309,761.  
 Apr. 15, 2009 Office Action in co-pending U.S. Appl. No. 29/309,766.  
 Apr. 16, 2009 Office Action in co-pending U.S. Appl. No. 29/309,768.  
 Sep. 3, 2009 Notice of Allowance in co-pending U.S. Appl. No. 29/309,762.  
 Sep. 3, 2009 Notice of Allowance in co-pending U.S. Appl. No. 29/309,764.  
 Specimen filed in U.S. Trademark Registration No. 3,002,216 on Jul. 11, 2005.  
 Office Action mailed Nov. 27, 2009 in co-pending U.S. Appl. No. 29/311,821.  
 Office Action mailed Nov. 27, 2009 in co-pending U.S. Appl. No. 29/311,775.  
 Notice of Allowance mailed Nov. 30, 2009 in co-pending U.S. Appl. No. 29/309,766.  
 Notice of Allowance mailed Nov. 30, 2009 in co-pending U.S. Appl. No. 29/309,758.  
 Notice of Allowance mailed Dec. 1, 2009 in co-pending U.S. Appl. No. 29/311,777.  
 Office Action mailed Apr. 21, 2010 in co-pending U.S. Appl. No. 29/311, 821.  
 Office Action mailed Jul. 6, 2010 in co-pending U.S. Appl. No. 29/311,775.  
 U.S. Appl. No. 12/285,877, filed Oct. 15, 2008, Ujita et al., TOMY Company, Ltd.  
 U.S. Appl. No. 29/311,775, filed Jun. 17, 2009, Ujita, TOMY Company, Ltd.  
 U.S. Appl. No. 29/311,776, filed Jun. 17, 2009, Ujita, TOMY Company, Ltd.  
 U.S. Appl. No. 29/311,821, filed Jul. 2, 2009, Nishimoto, TOMY Company, Ltd.  
 U.S. Appl. No. 29/347,147, filed Sep. 28, 2009, Nishimoto, TOMY Company, Ltd.  
 U.S. Appl. No. 29/347,188, filed Oct. 20, 2009, Ujita, TOMY Company, Ltd.  
 U.S. Appl. No. 12/659,660, filed Mar. 16, 2010, Ujita, TOMY Company, Ltd.  
 U.S. Appl. No. 29/347,646, filed Mar. 26, 2010, Nishimoto, TOMY Company, Ltd.  
 U.S. Appl. No. 29/347,645, filed Mar. 26, 2010, Ujita, TOMY Company, Ltd.  
 U.S. Appl. No. 29/347,730, filed Apr. 26, 2010, Ujita, TOMY Company, Ltd.  
 U.S. Appl. No. 29/347,838, filed Jun. 21, 1010, Nishimoto, TOMY Company, Ltd.

\* cited by examiner

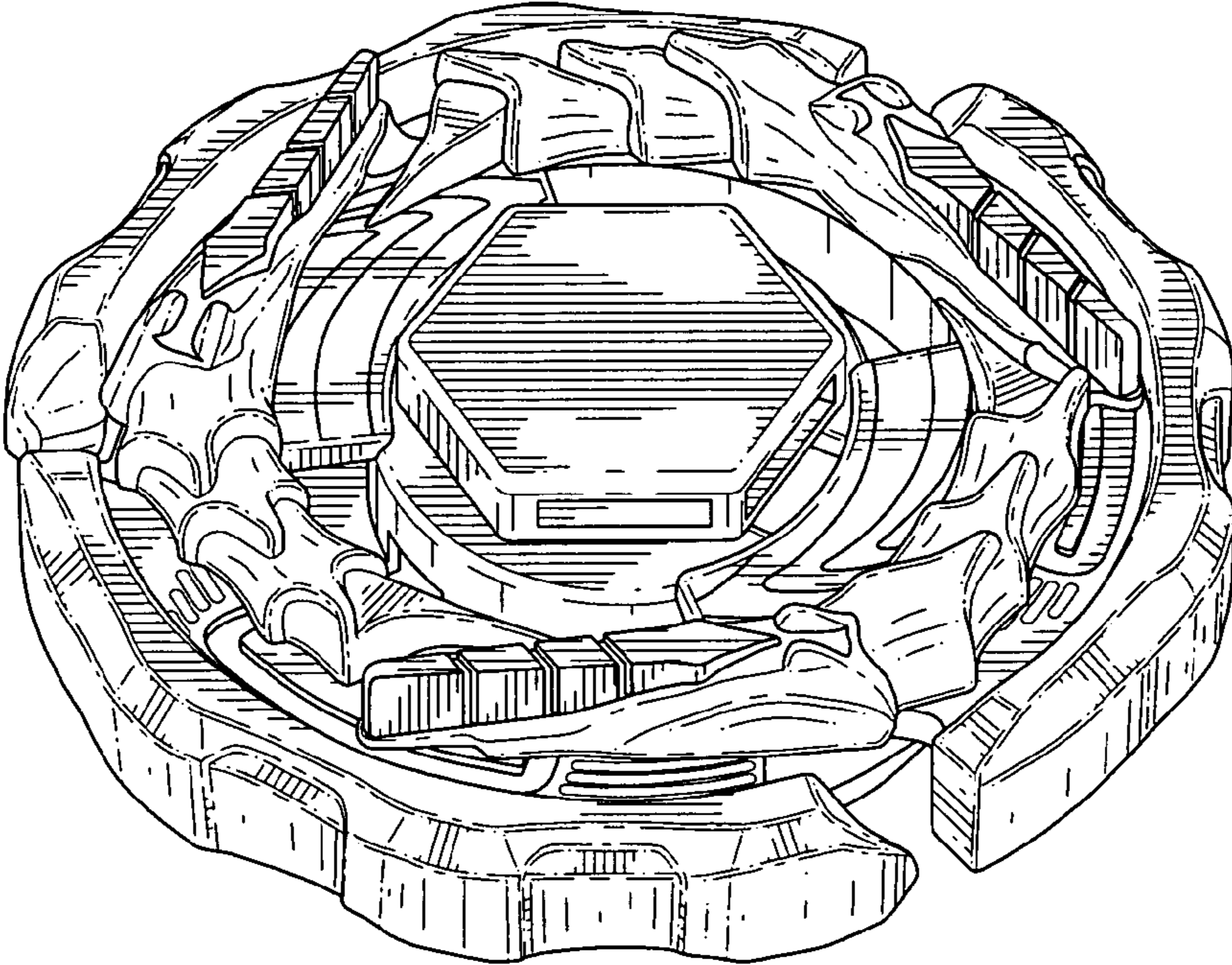


FIG. 1

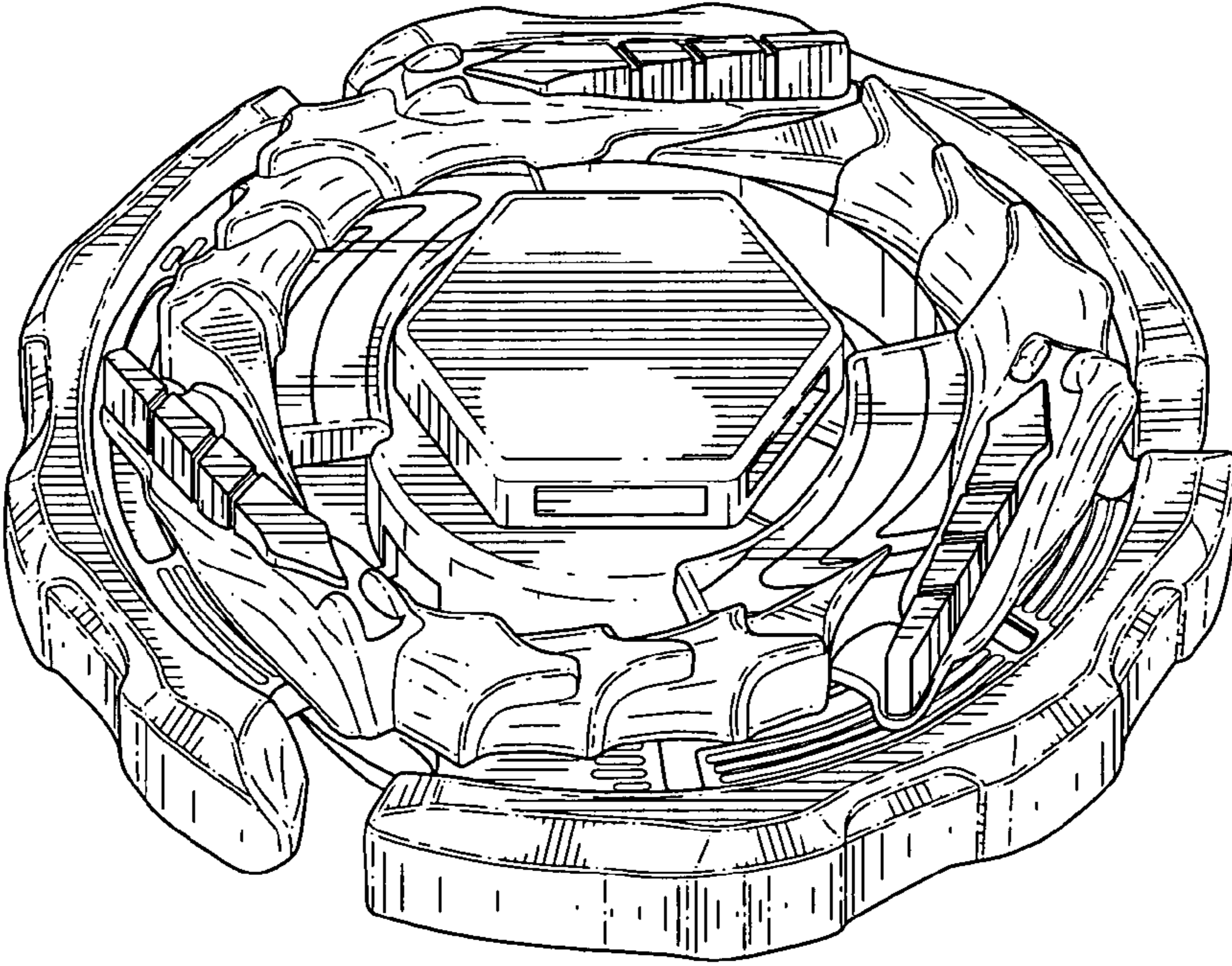


FIG. 2

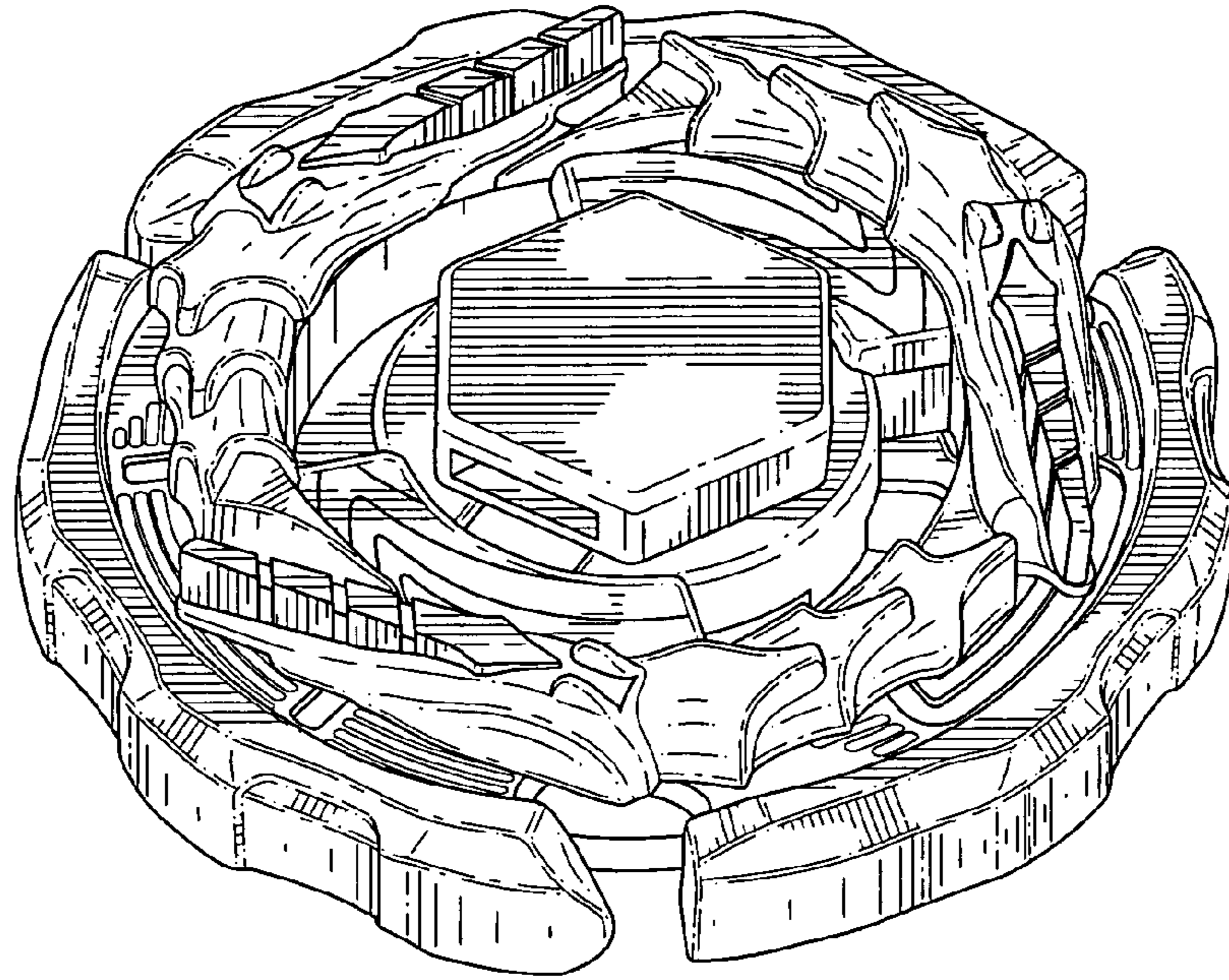


FIG. 3

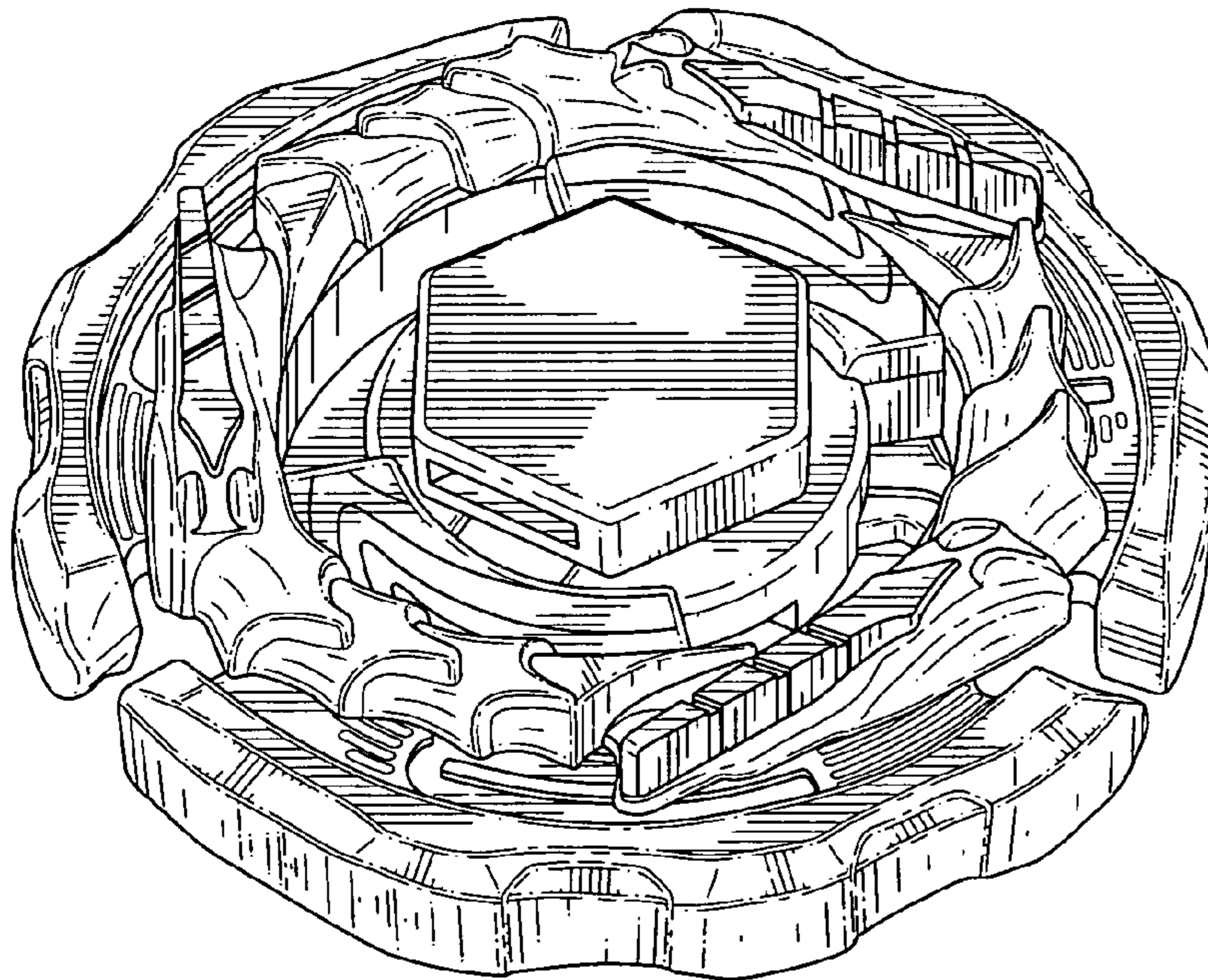


FIG. 4

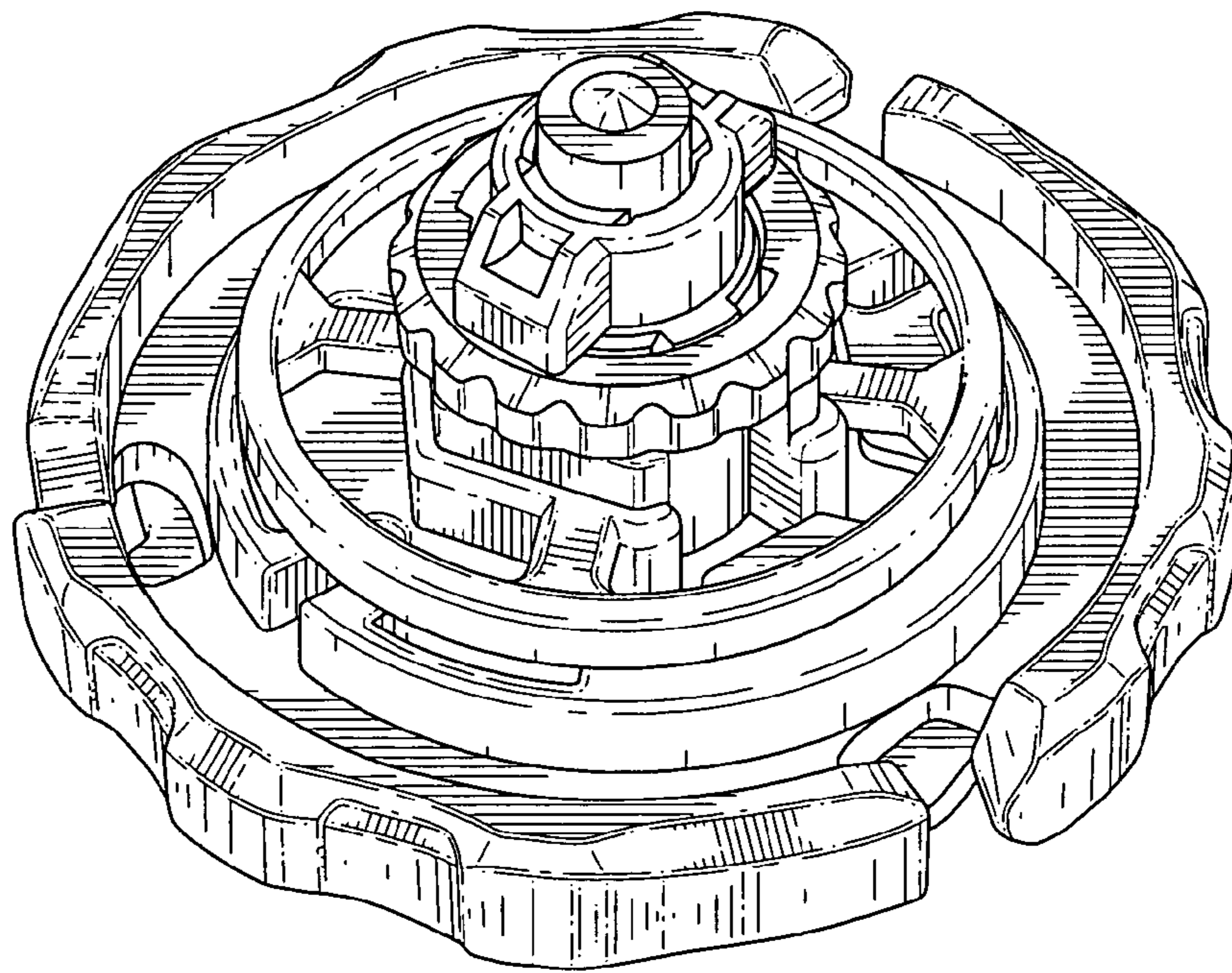


FIG.5

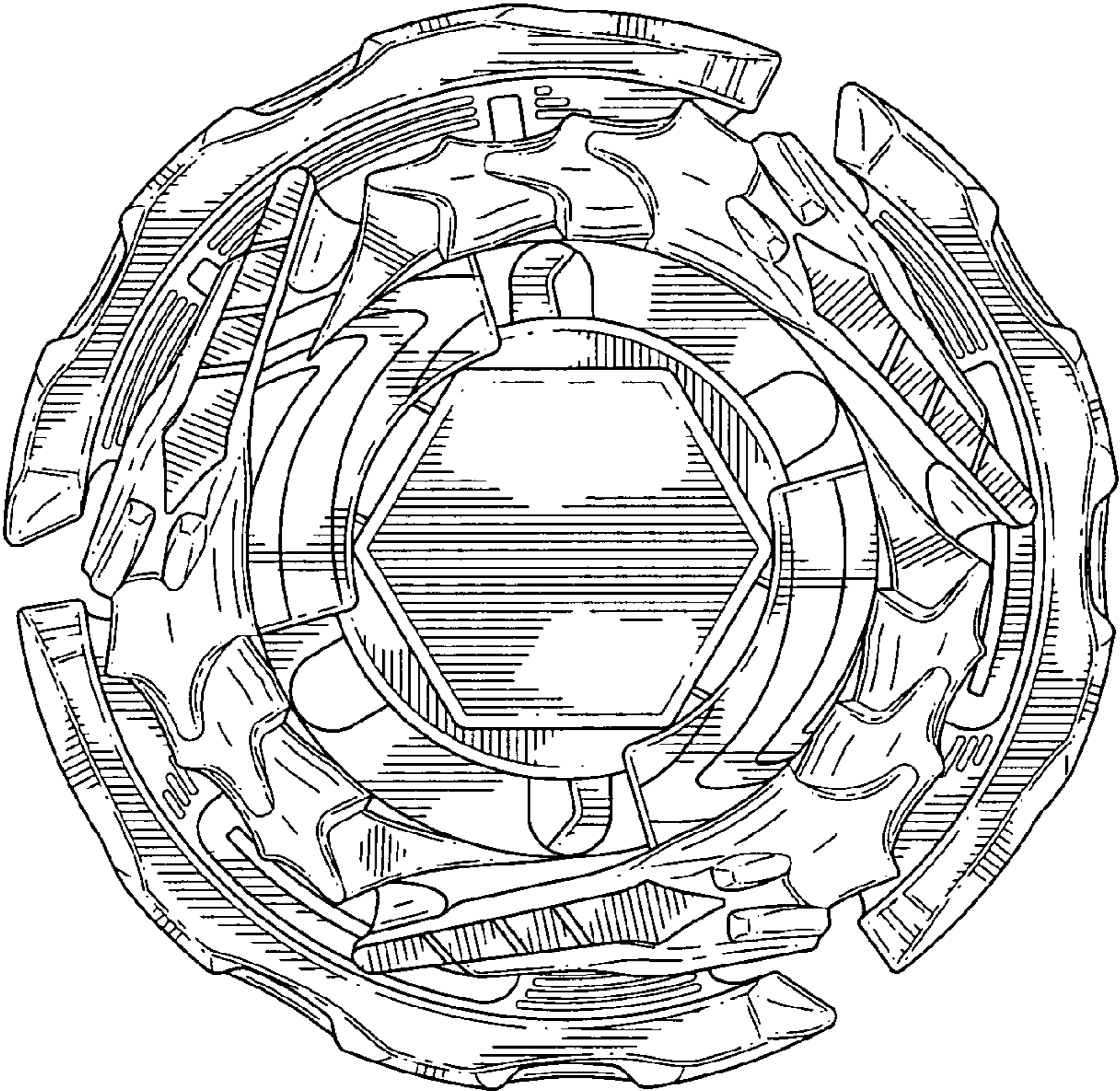


FIG. 6

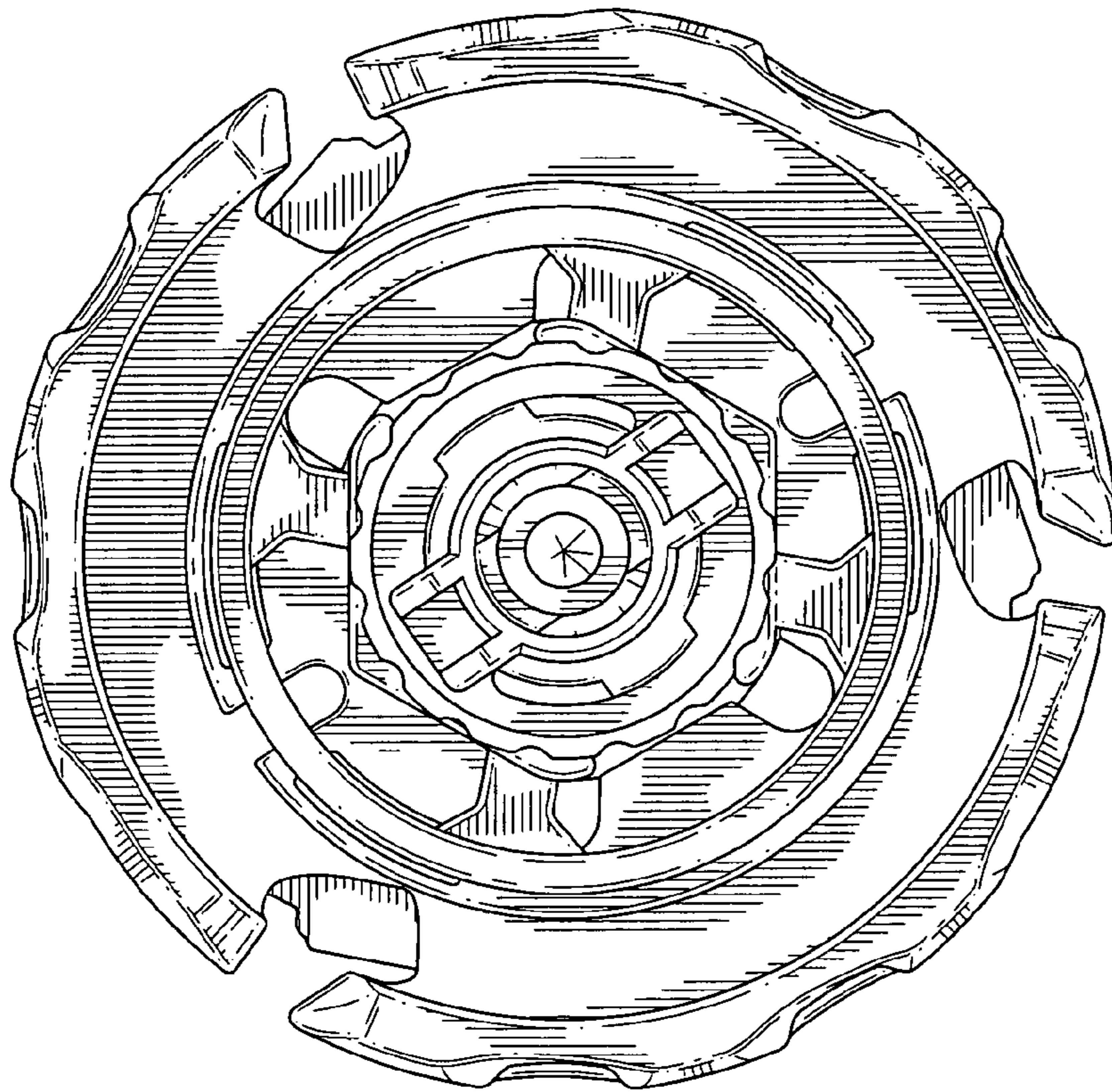


FIG. 7

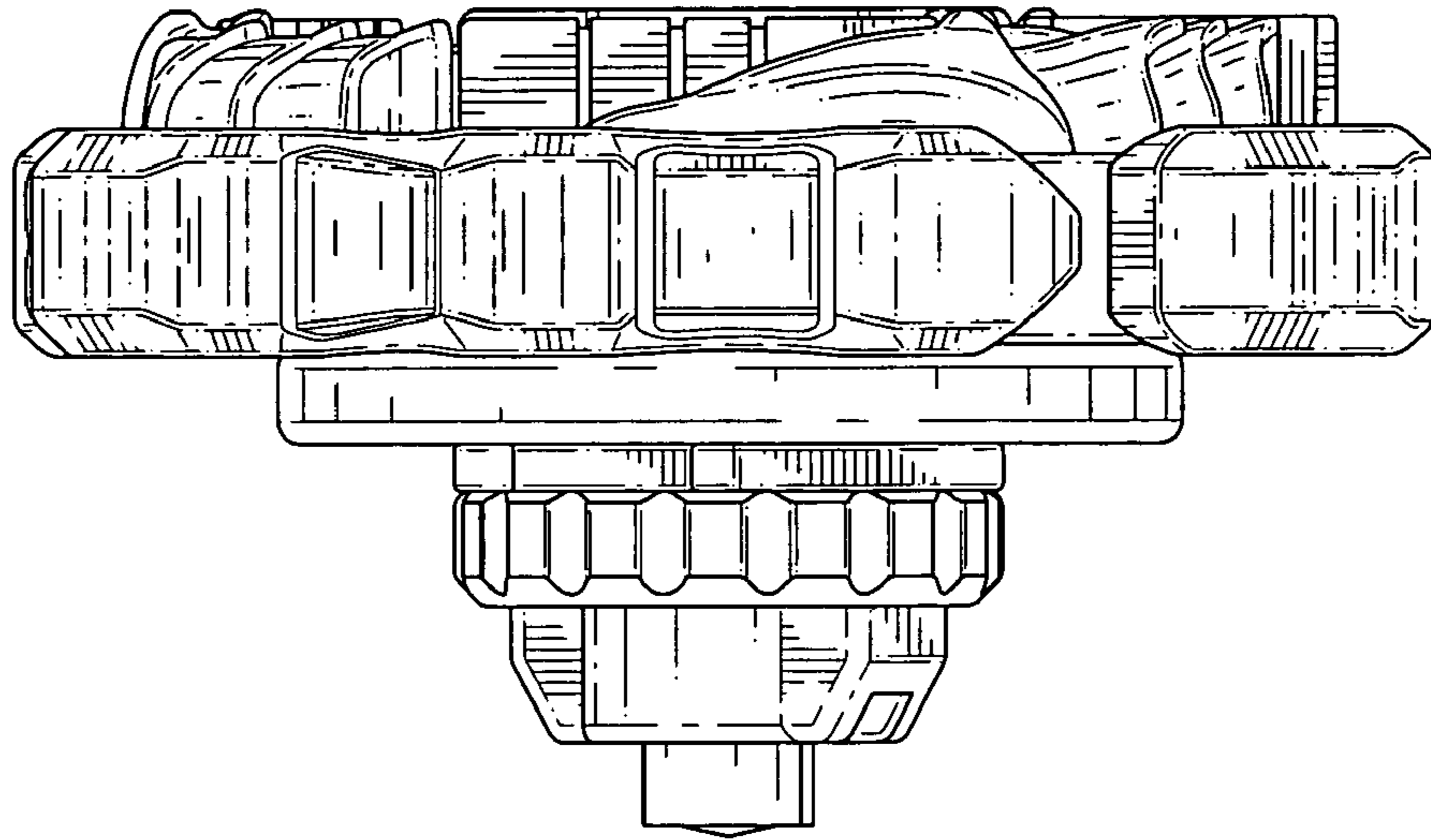


FIG. 8

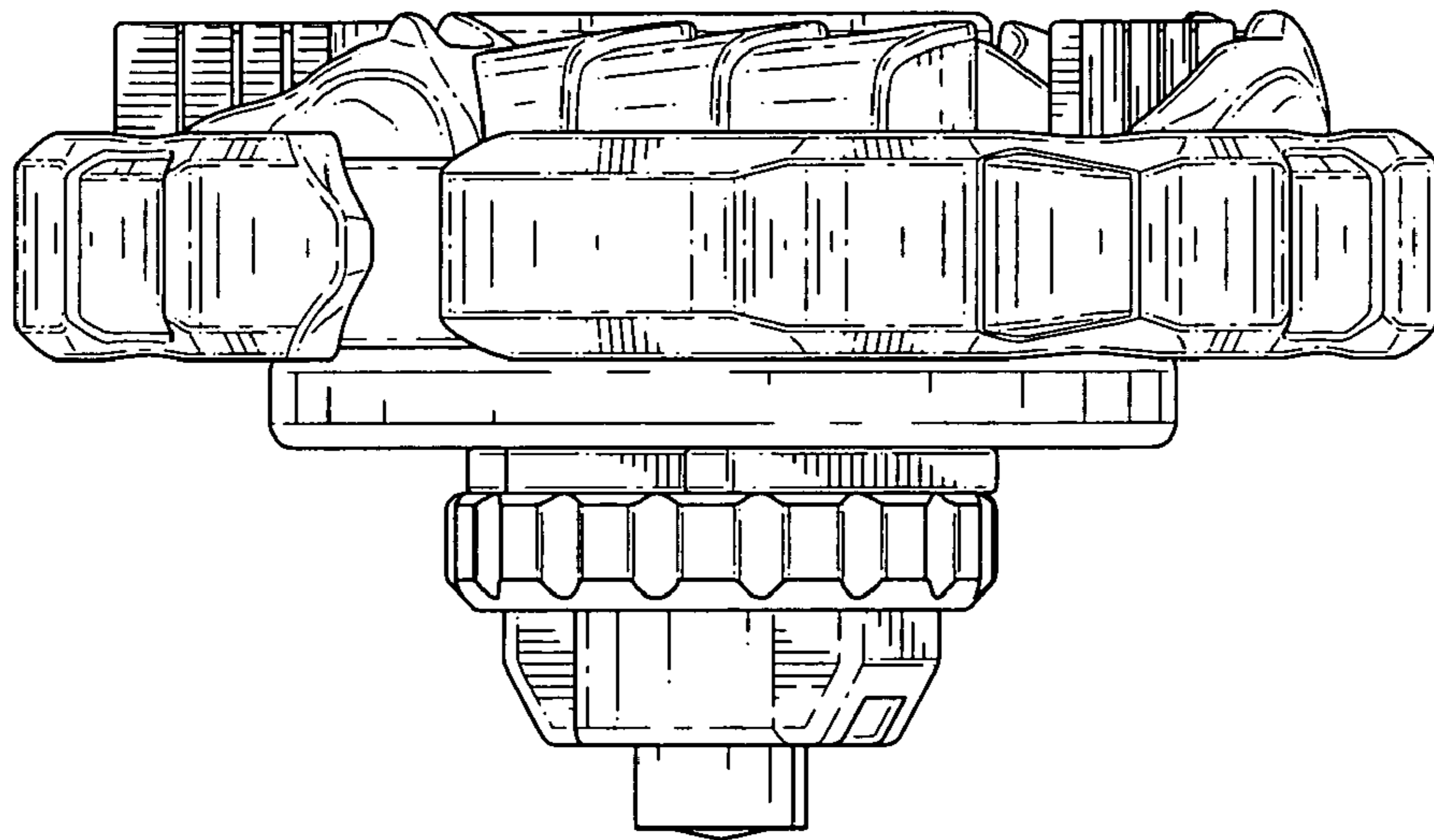


FIG. 9



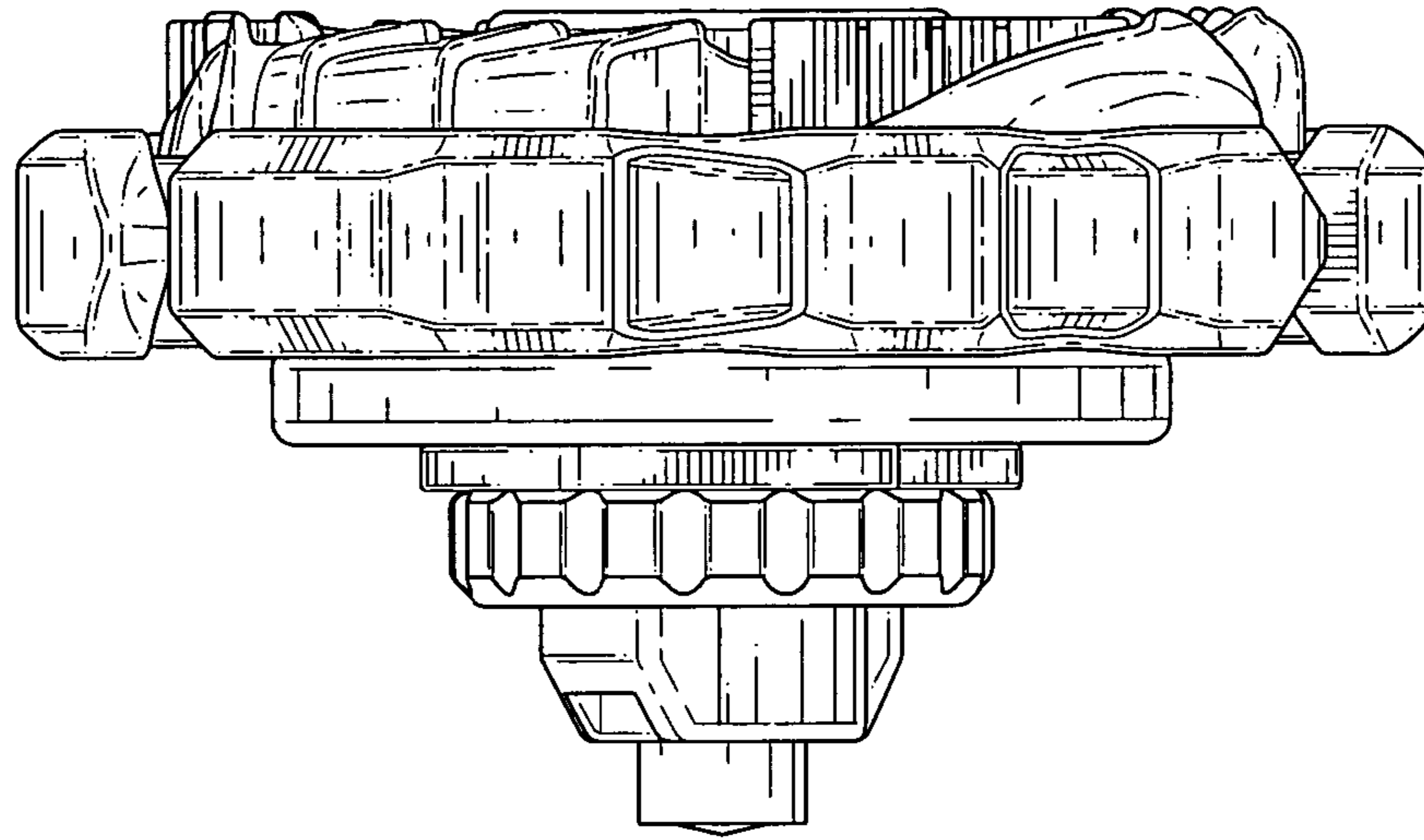


FIG. 10

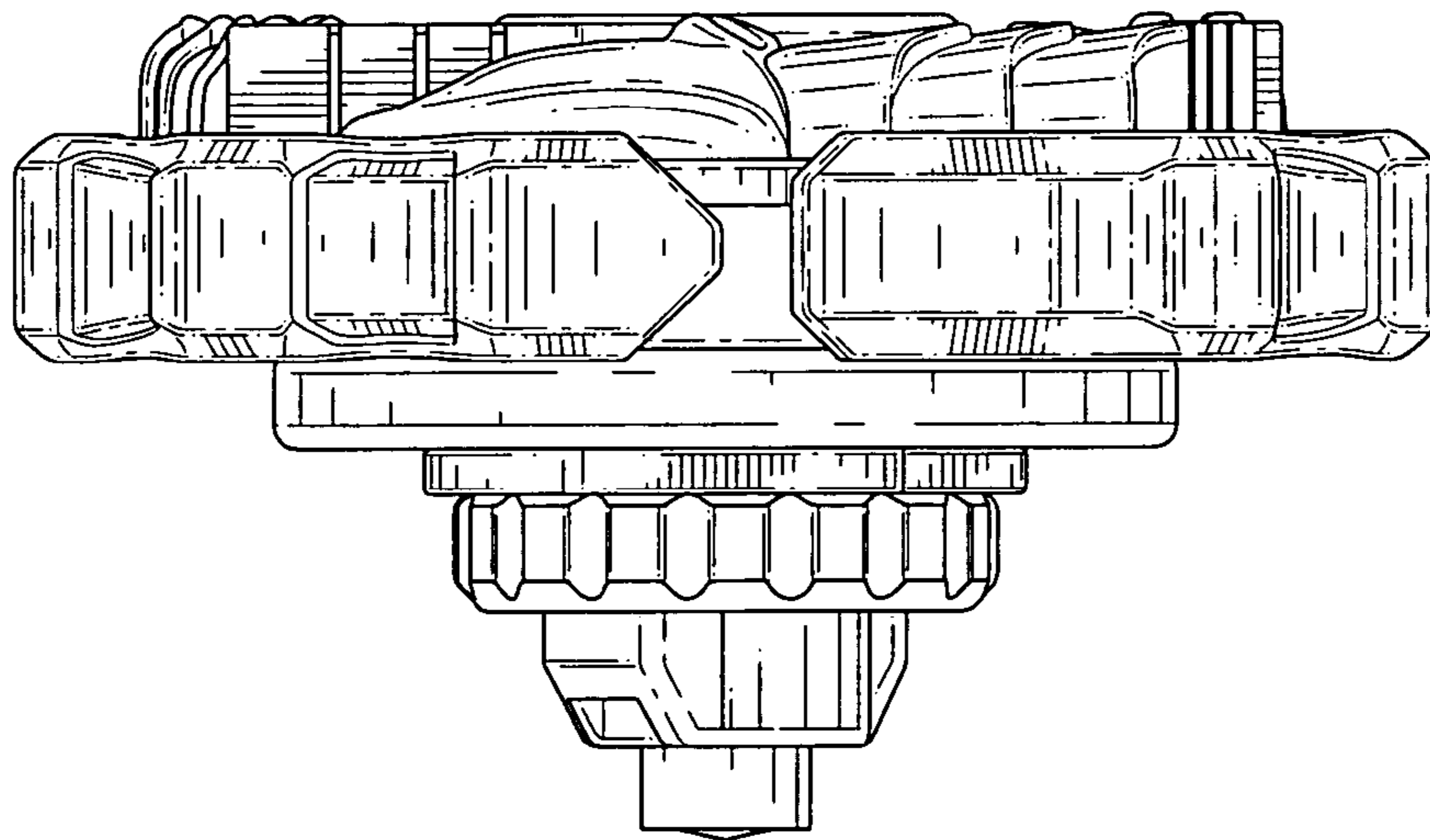


FIG. 11

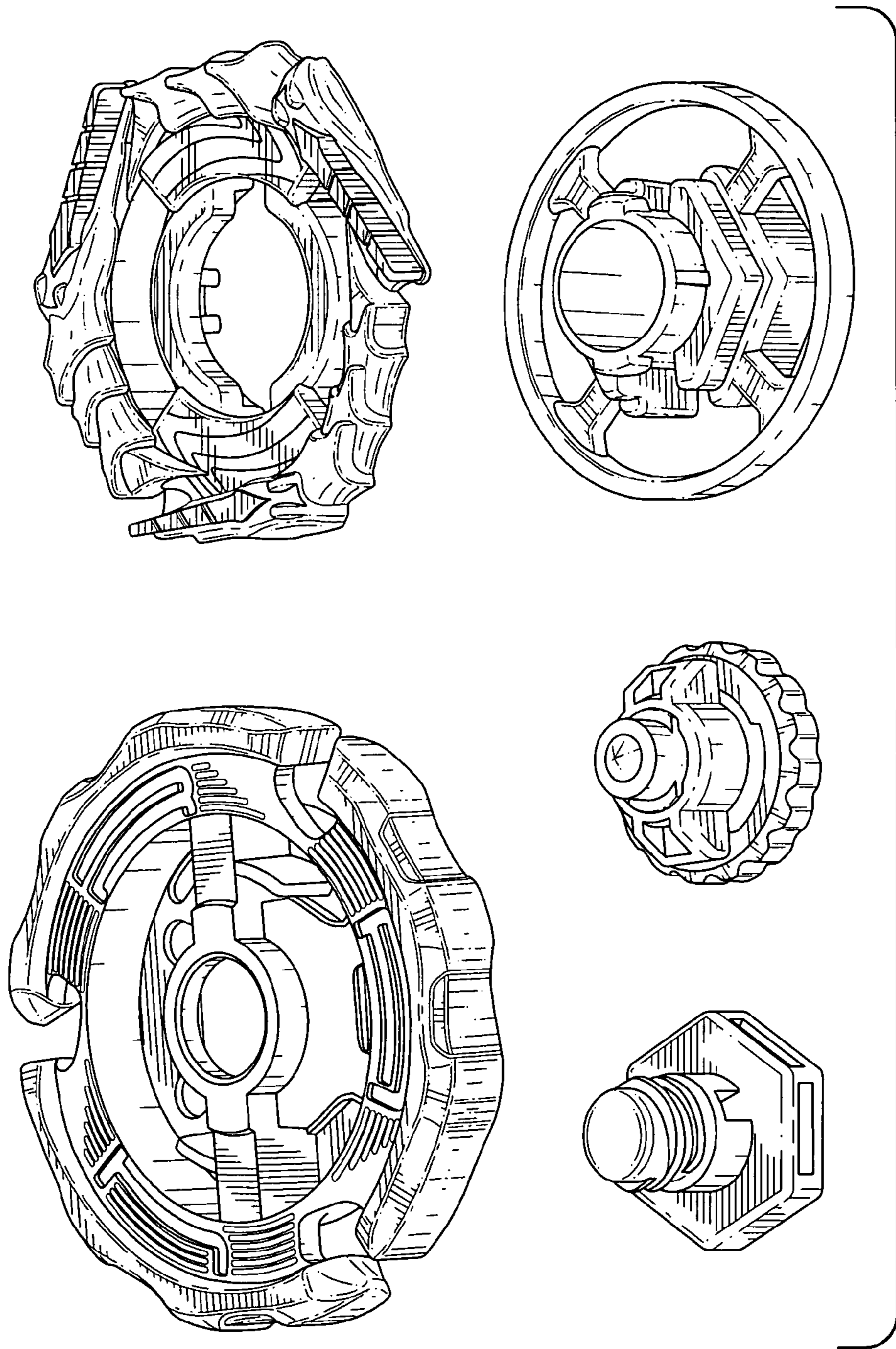


FIG. 12