



US00D639347S

(12) **United States Design Patent**
Fan

(10) **Patent No.:** **US D639,347 S**

(45) **Date of Patent:** **** Jun. 7, 2011**

(54) **STACKABLE GAME PIECE**

(75) **Inventor:** **Chin Kiu Fan**, Kowloon (HK)

(73) **Assignee:** **Maple Toys International Limited**,
Kowloon (HK)

(**) **Term:** **14 Years**

(21) **Appl. No.:** **29/357,246**

(22) **Filed:** **Mar. 9, 2010**

(51) **LOC (9) Cl.** **21-01**

(52) **U.S. Cl.** **D21/386; D21/471**

(58) **Field of Classification Search** D21/334-369,
D21/372-373, 385-386, 391, 471, 621, 623;
273/236-288, 450, 148 R

See application file for complete search history.

(56) **References Cited**

U.S. PATENT DOCUMENTS

D215,223 S * 9/1969 Goldfarb D21/386
D300,542 S * 4/1989 Thomson et al. D21/471
5,007,636 A * 4/1991 Pagani 273/450

5,071,355 A * 12/1991 Schmitz et al. 273/450
D425,581 S * 5/2000 Philbern D21/623
D446,811 S * 8/2001 Beard D21/623

* cited by examiner

Primary Examiner — Sandra Morris

(74) *Attorney, Agent, or Firm* — Intellectual Property Law
Group LLP; Juneko Jackson; Otto O. Lee

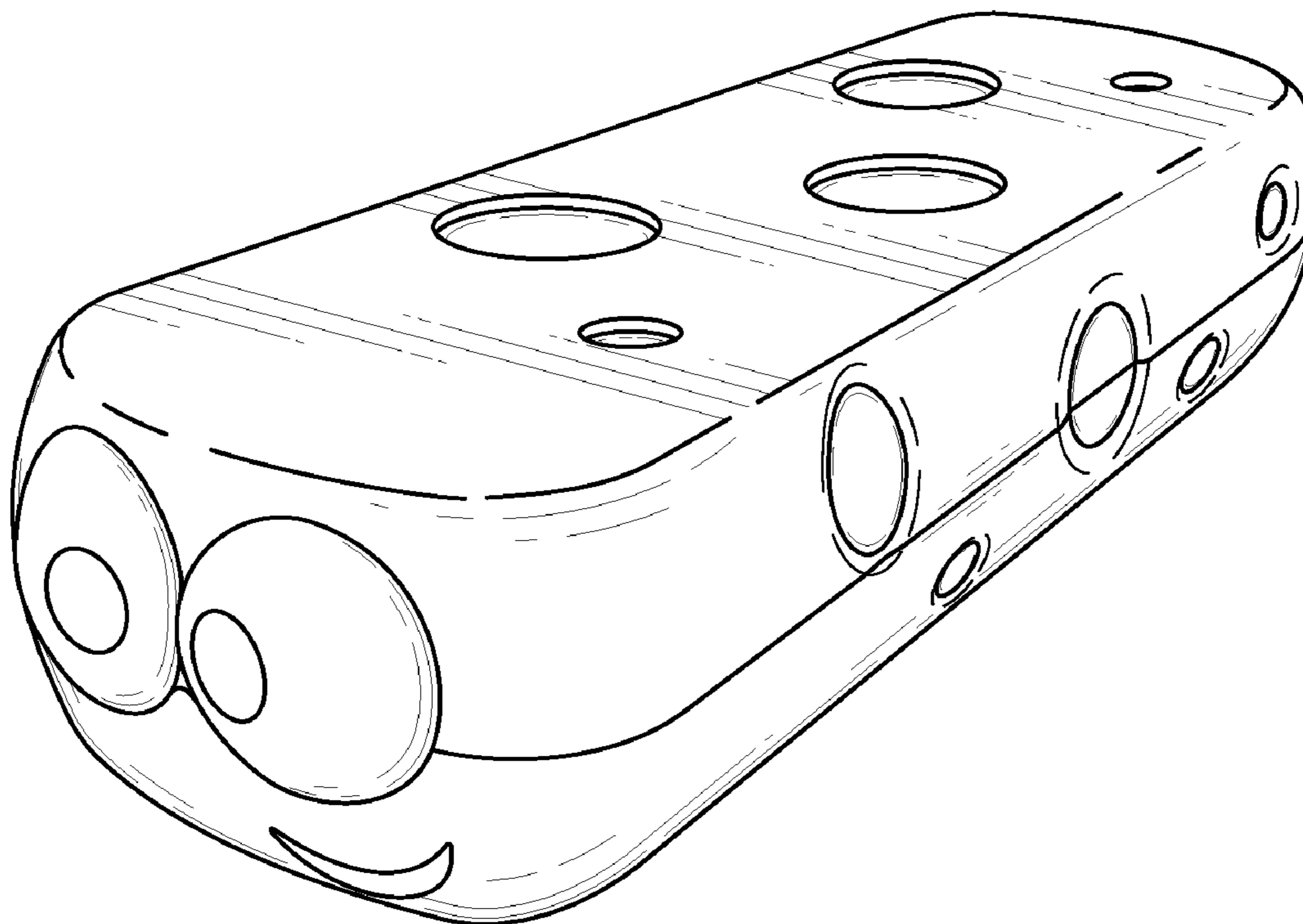
(57) **CLAIM**

The ornamental design for a stackable game piece, as shown
and described.

DESCRIPTION

FIG. 1 is a front, right side perspective view of a stackable
game piece embodying my new design;
FIG. 2 is a top plan view thereof;
FIG. 3 is a bottom plan view thereof;
FIG. 4 is a right side elevational view thereof;
FIG. 5 is a left side elevational view thereof;
FIG. 6 is a front elevational view thereof; and,
FIG. 7 is a rear elevational view thereof.

1 Claim, 2 Drawing Sheets



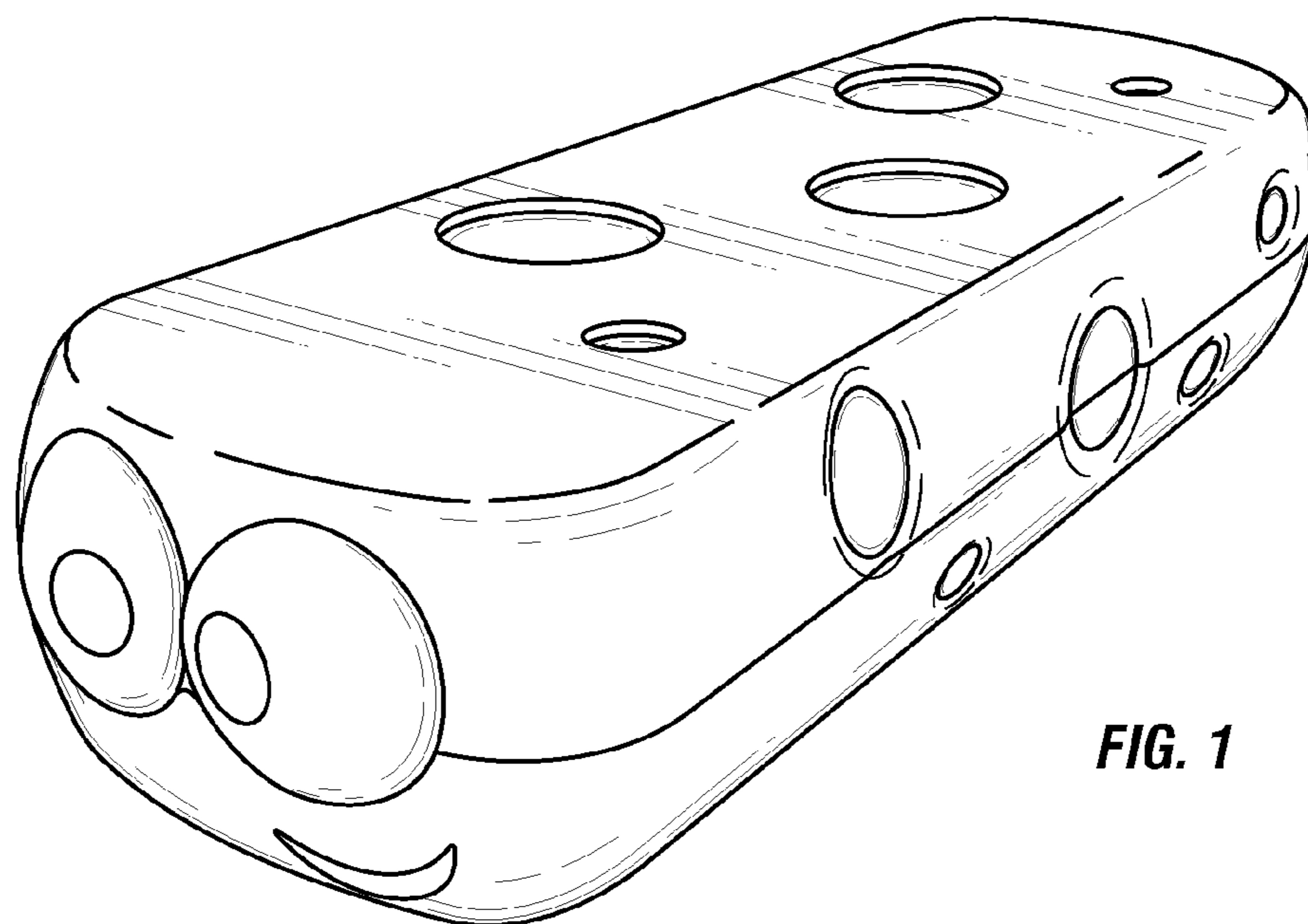


FIG. 1

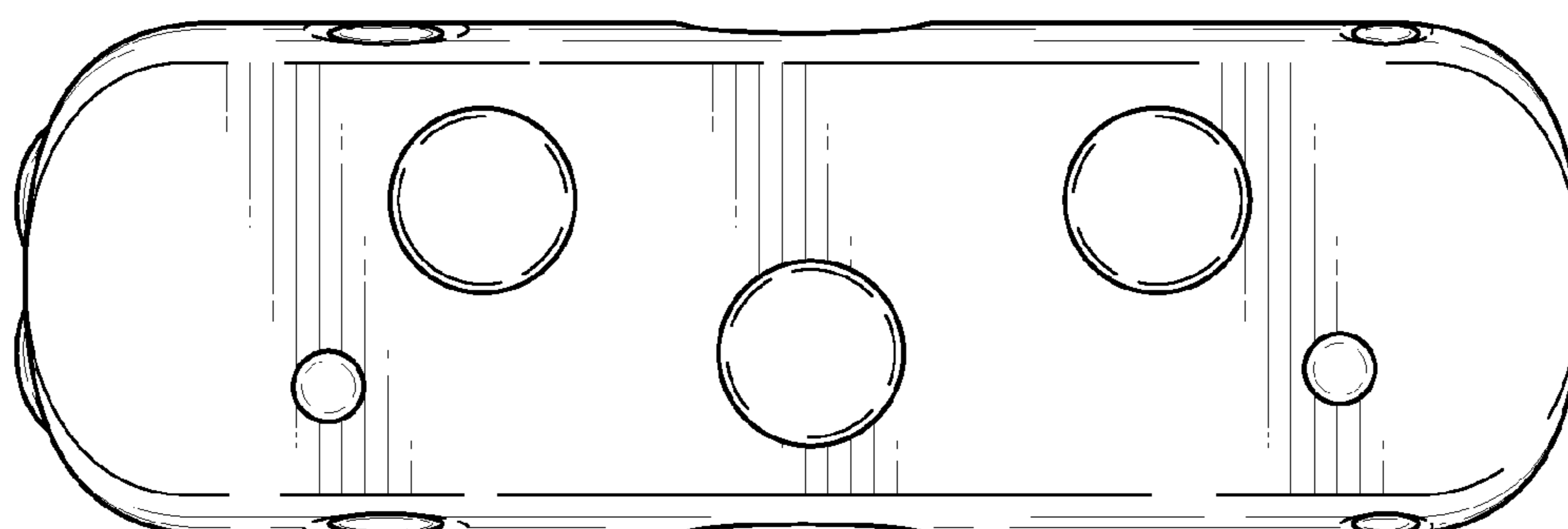


FIG. 2

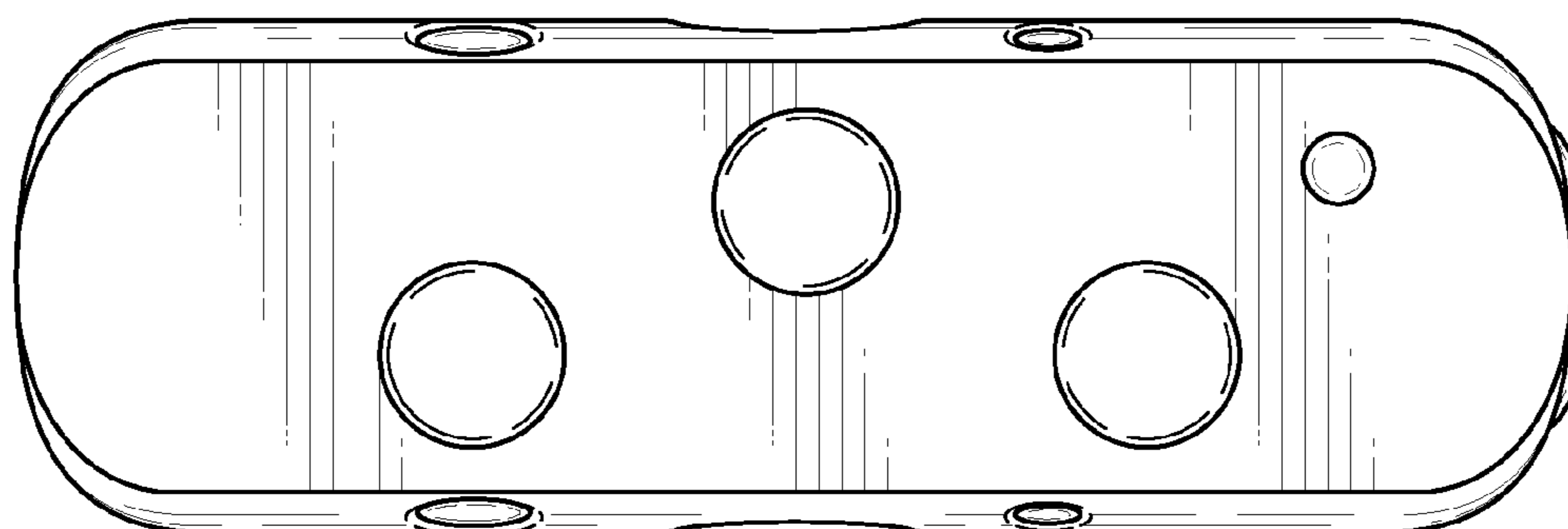


FIG. 3

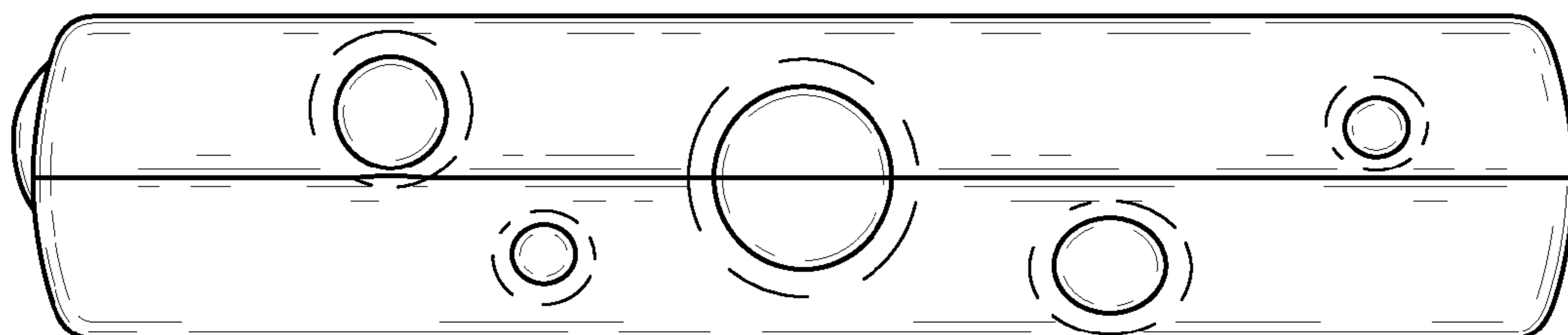


FIG. 4

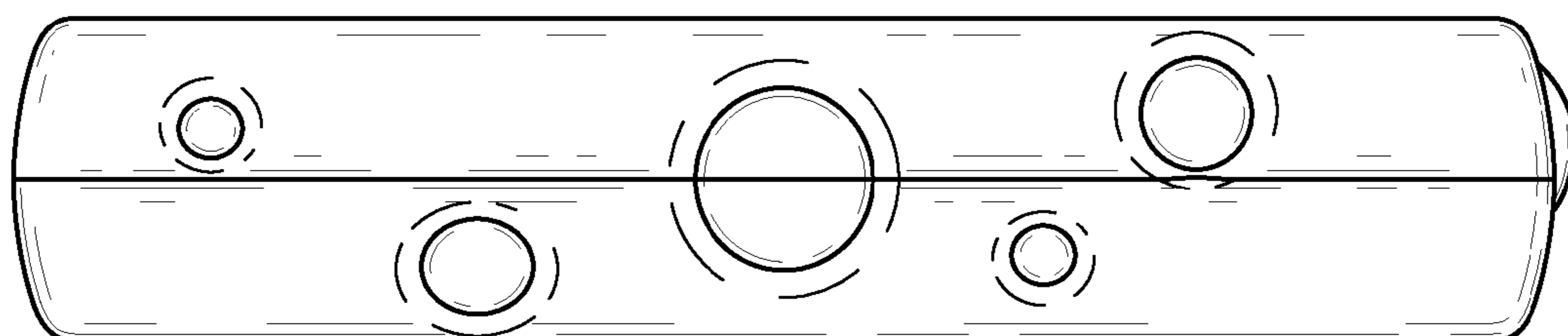


FIG. 5

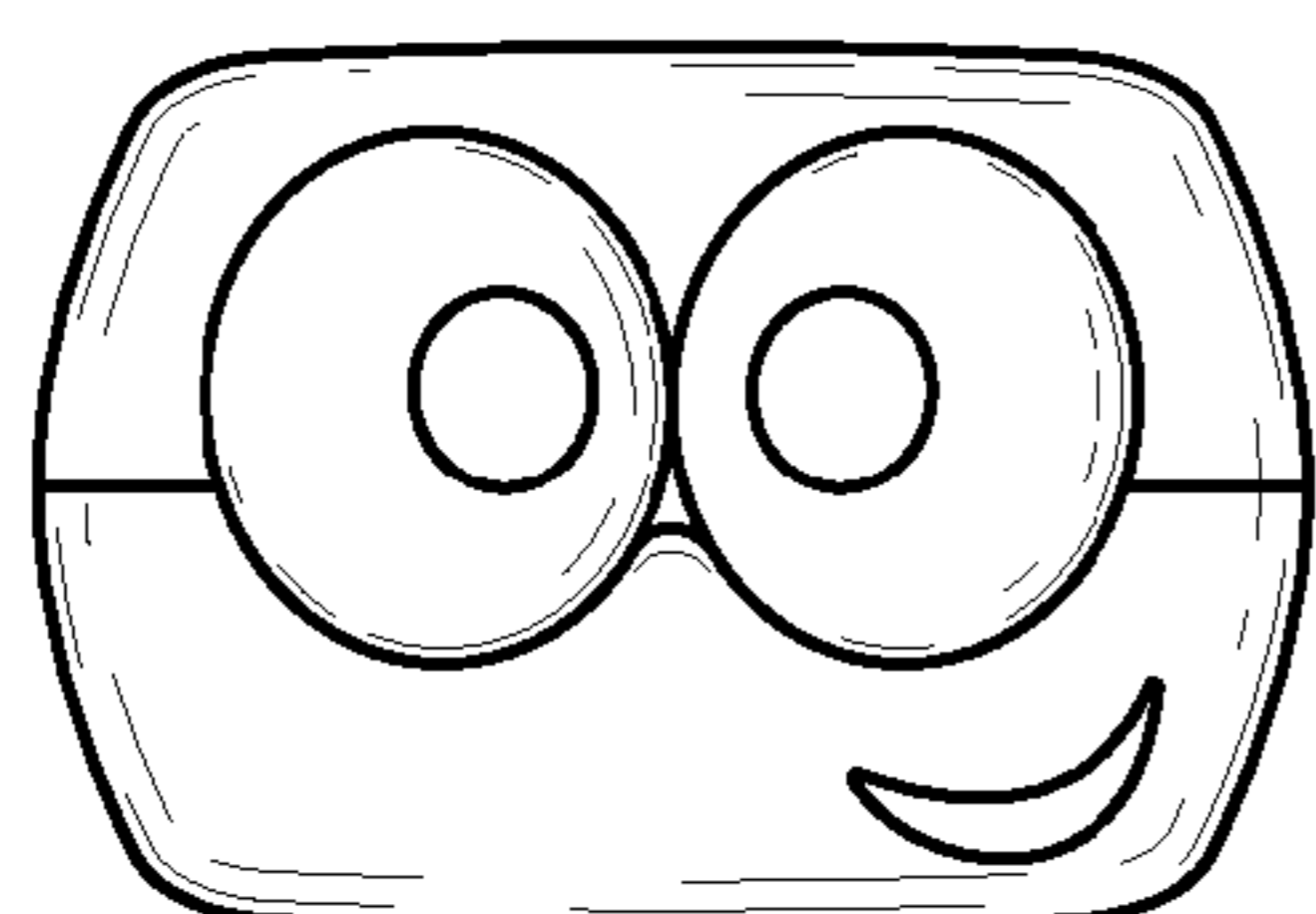


FIG. 6

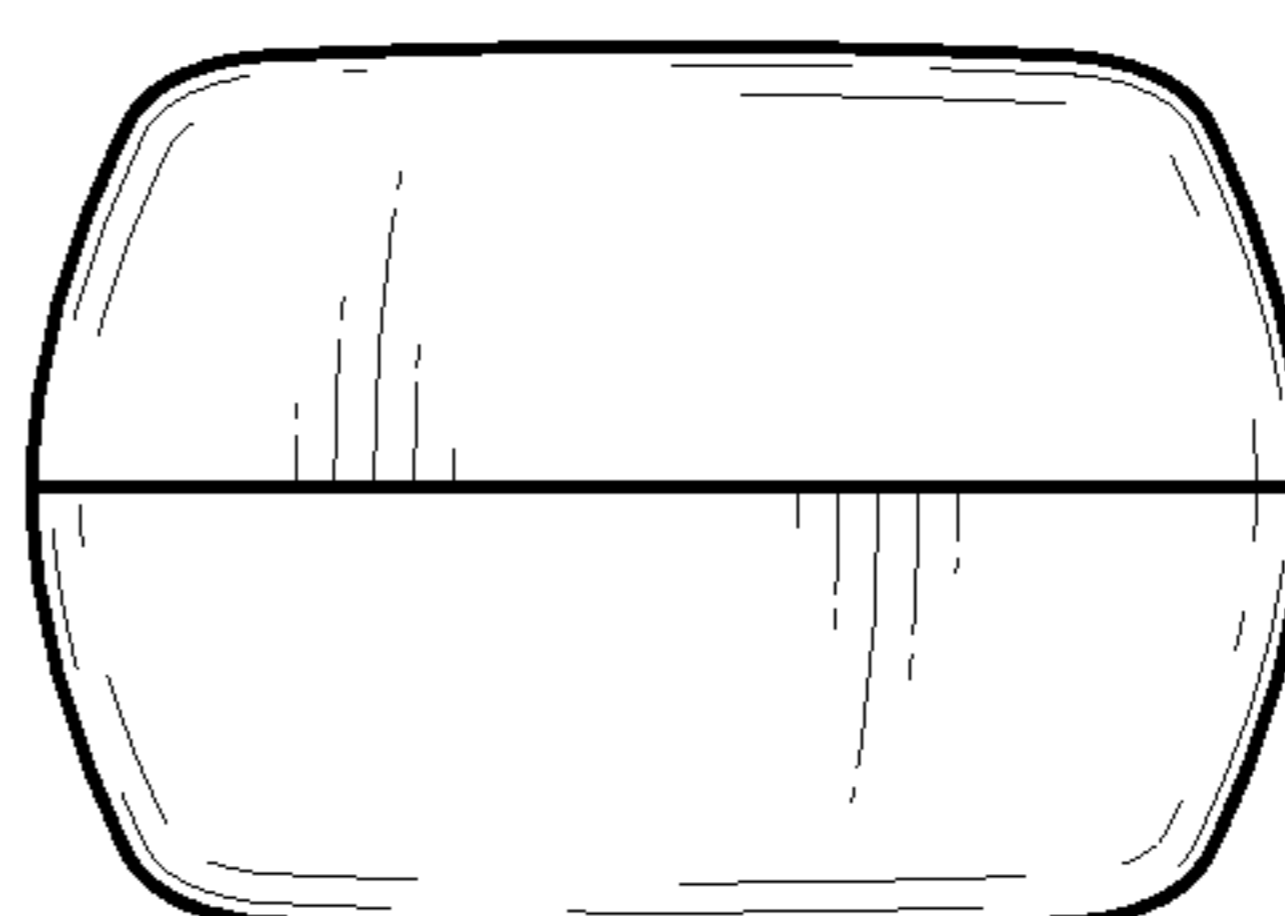


FIG. 7