



US00D639340S

(12) **United States Design Patent**
Martin

(10) **Patent No.:** **US D639,340 S**

(45) **Date of Patent:** **** Jun. 7, 2011**

- (54) **TAXI-TOP ADVERTISING UNIT**
- (75) Inventor: **Donna Margaret Martin**, Stone Mountain, GA (US)
- (73) Assignee: **Donna M. Martin**, Stone Mountain, GA (US)
- (**) Term: **14 Years**
- (21) Appl. No.: **29/310,268**
- (22) Filed: **Aug. 7, 2008**
- (51) **LOC (9) Cl.** **20-03**
- (52) **U.S. Cl.** **D20/10**
- (58) **Field of Classification Search** D20/10, D20/15, 17, 19, 21, 35, 42, 99; 40/541, 542, 40/564, 572, 584, 591, 592, 643; D10/104, D10/109; D26/31; 362/235, 812
See application file for complete search history.

- 4,052,806 A * 10/1977 George 40/572
 - D255,726 S * 7/1980 Leuthesser D26/31
 - D480,432 S * 10/2003 Newman D20/10
 - D511,391 S * 11/2005 Altman D26/31
 - D567,876 S * 4/2008 Au et al. D20/10
 - 2004/0074122 A1* 4/2004 Goodwin et al. 40/592
 - 2008/0236007 A1* 10/2008 Au et al. 40/592
- * cited by examiner

Primary Examiner — Mary Ann Calabrese

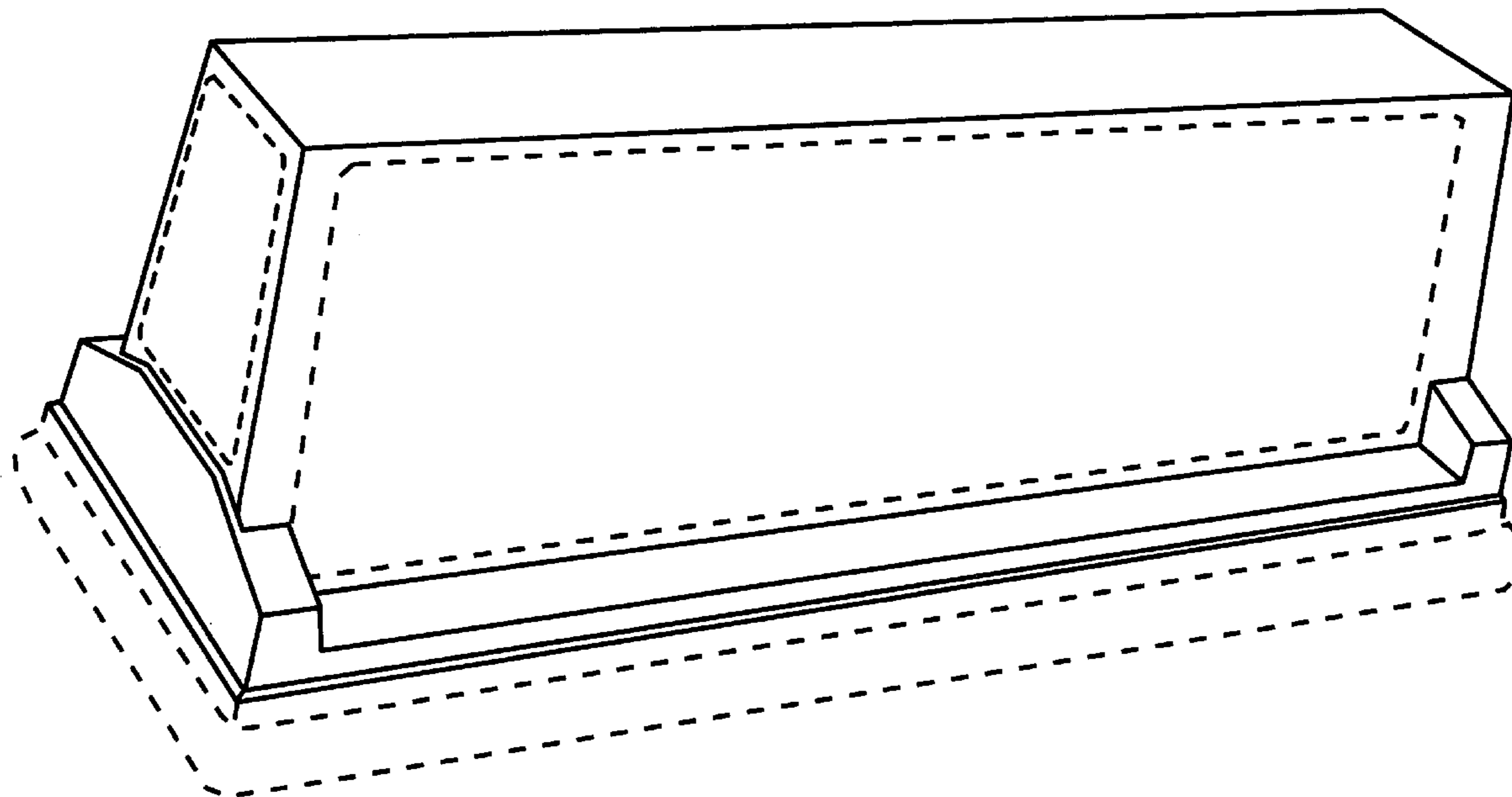
(57) **CLAIM**
The ornamental design for a taxi-top advertising unit, as shown and described.

DESCRIPTION

FIG. 1 is a side perspective of our new design for a taxi-top advertising unit according to the present design, the opposite of which is symmetrical;
 FIG. 2 is an enlarged elevational view of one end of the taxi-top advertising unit of FIG. 1, the opposite end of which is identical; and,
 FIG. 3 is a reduced scale perspective view of the taxi-top advertising unit of FIG. 1.
 A view of the bottom of the taxi-top advertising unit has been omitted since it is flat and unornamated. The broken lines are for illustrative purposes only and form no part of the claimed design.

1 Claim, 3 Drawing Sheets

- (56) **References Cited**
- U.S. PATENT DOCUMENTS
- 3,242,329 A * 3/1966 Abrams 362/235
- D205,209 S * 7/1966 Priddis D26/31
- D216,183 S * 11/1969 Winkler D20/42
- D245,940 S * 9/1977 George D26/31



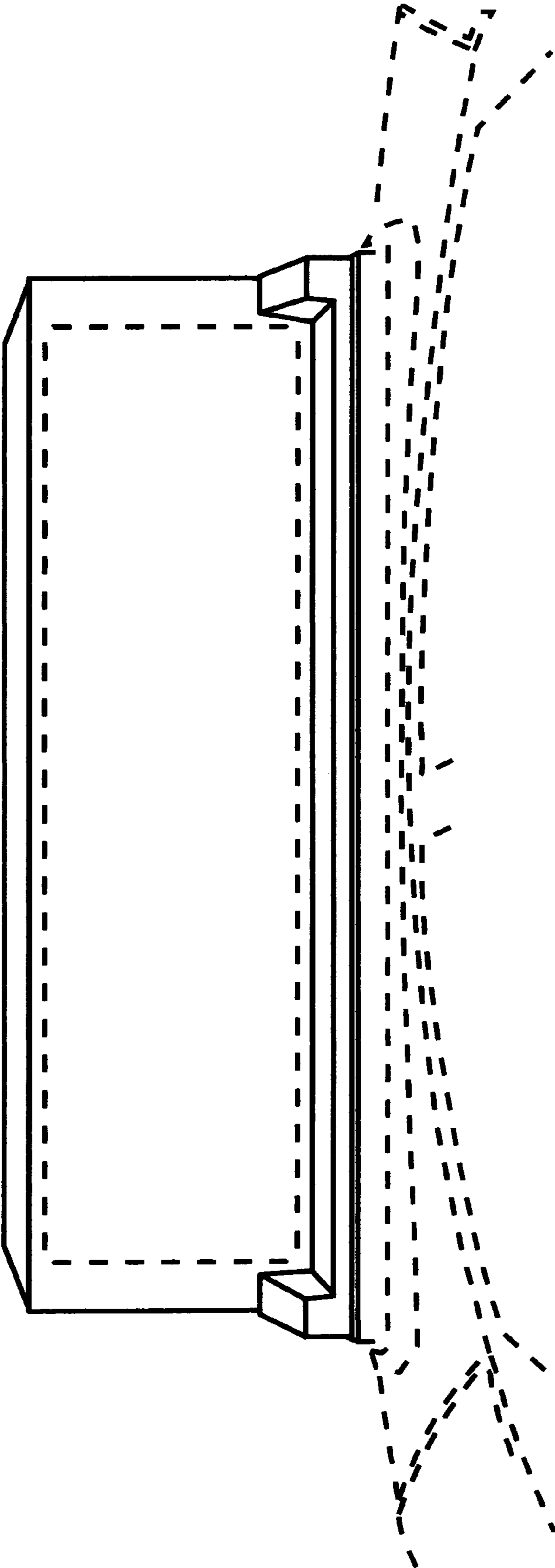


Fig 1

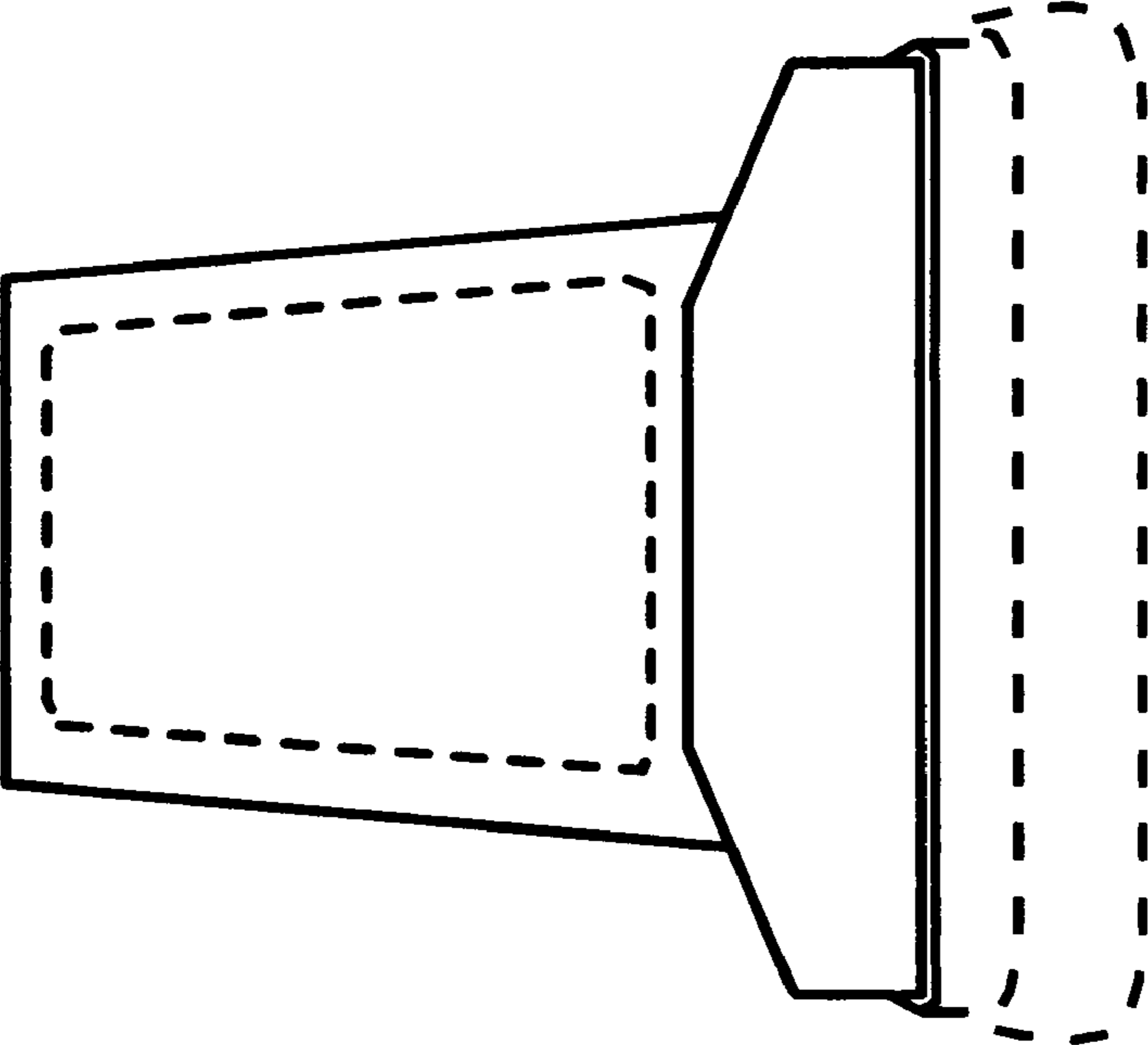


Fig 2

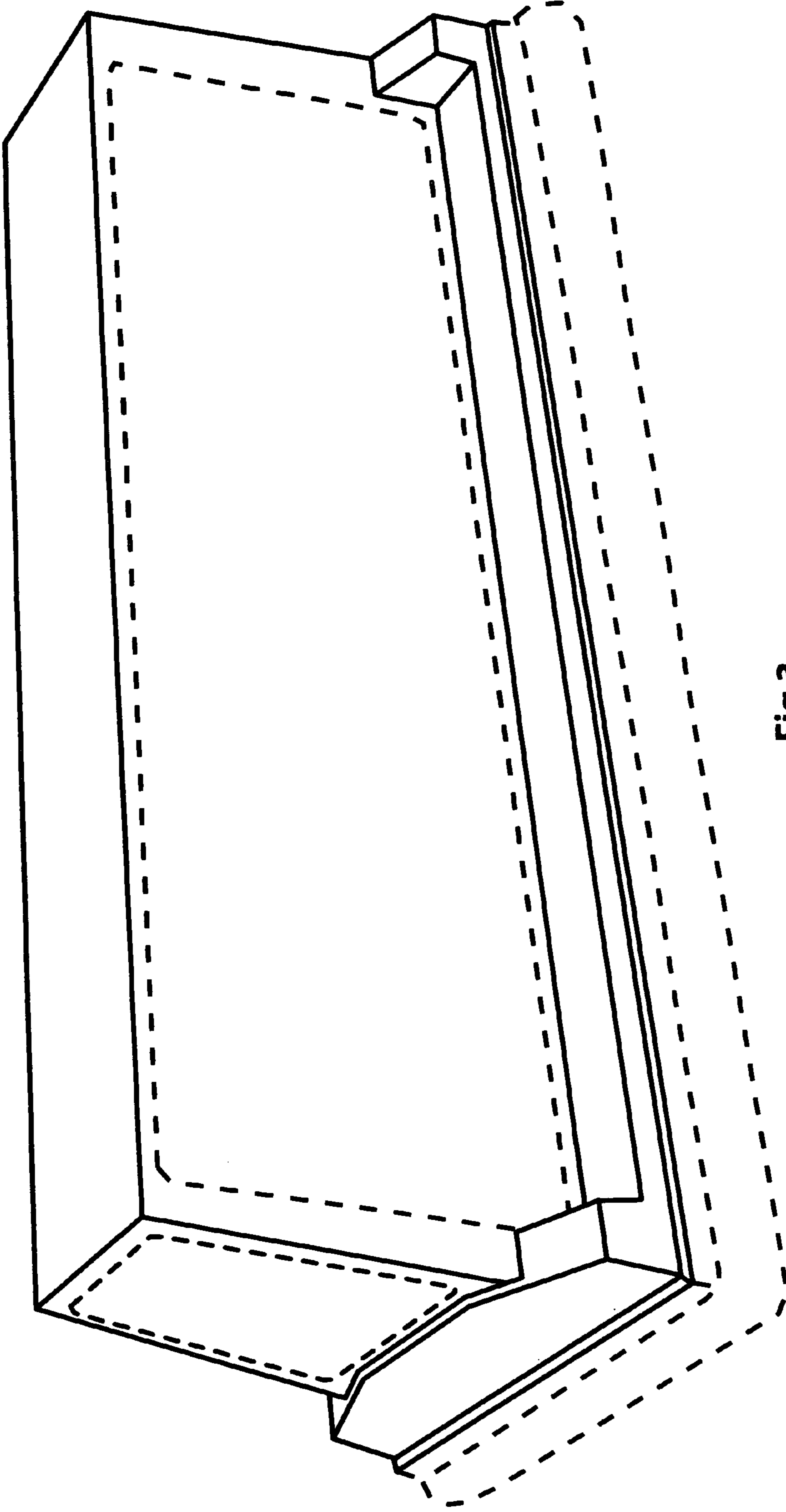


Fig 3